



Table of contents..... 01

Drive Shaft..... 02

PTO Shaft..... 03 - 06

Constant Velocity PTO Shaft..... 07 - 10

Pulleys..... 11 - 14

Belt..... 15

Hubs..... 16

U-Bolt..... 17

Hydraulic Cylinder..... 18 - 19

Hydraulic Motor..... 20

Hydraulic Fitting & Adaptor..... 21 - 22

Plumbing Elbow & Adaptor..... 23 - 25

Hose..... 26

Straight Adaptor..... 27 - 28

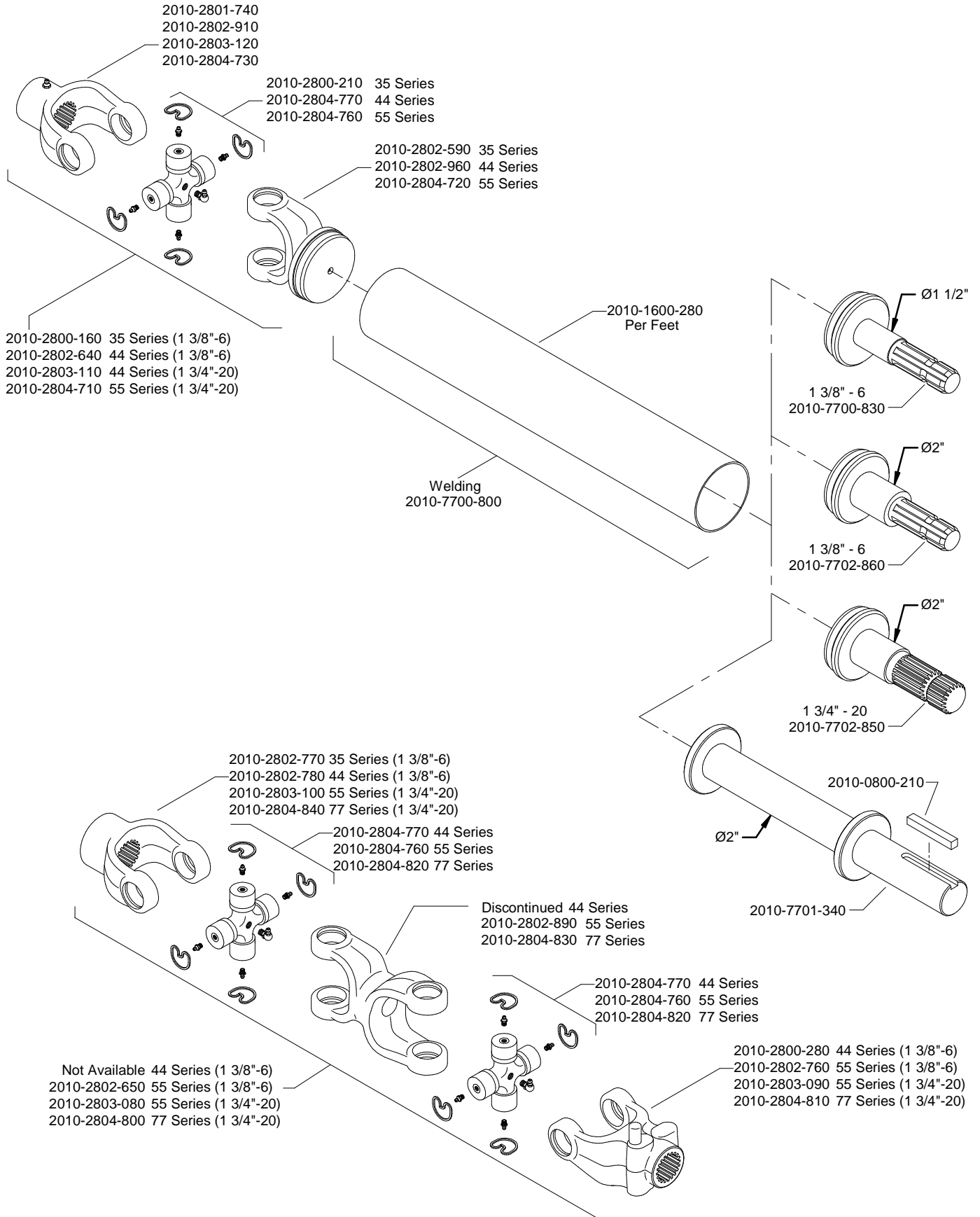
15° to 30° Elbow..... 29

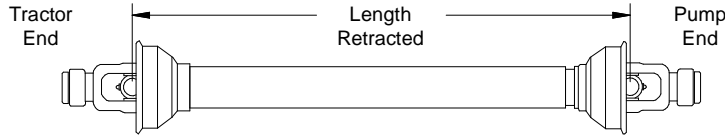
45° to 70° Elbow..... 30

90° Elbow..... 31 - 32

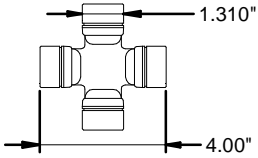
105° to 135° Elbow..... 33

Components to Build Special Adaptor..... 34 - 35





### 44 Series

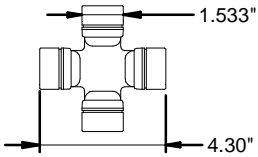


Model	Length Retracted	Half-P.T.O. Tractor End	Half-P.T.O. Pump End	Complete P.T.O.
48"	34.31"	1 3/8" - 6 2010-2804-170	+ 1 3/8" - 6 2010-2804-320	= 2010-2801-450
		1 3/8" - 21 2010-2802-040	+ 1 3/8" - 6 2010-2804-320	= 2010-2801-460
		1 3/4" - 20 2010-2803-380	+ 1 3/8" - 6 2010-2804-320	= 2010-2802-810
84"	70.31"	1 3/8" - 6 2010-2804-170	+ 1 3/8" - 6 2010-2804-700	= 2010-2801-470
		1 3/8" - 21 2010-2802-040	+ 1 3/8" - 6 2010-2804-700	= 2010-2801-480
56"	44.38"	See 60"	+ See 60"	= See 60"
60"	44.81"	1 3/8" - 6 2018-2804-010	+ 1 3/8" - 6 2018-2803-980	= 2018-2803-900
		1 3/8" - 21 2018-2803-270	+ 1 3/8" - 6 2018-2803-980	= 2018-2803-870
		1 3/4" - 20 2018-2804-000	+ 1 3/8" - 6 2018-2803-980	= 2018-2803-880
62"	49.81"	See 60"	+ Not Available	= See 60"

Pumps

Spreaders

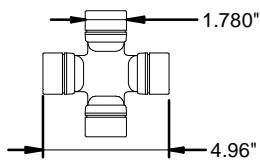
### 55 Series



Model	Length Retracted	Half-P.T.O. Tractor End	Half-P.T.O. Pump End	Complete P.T.O.
48"	34.50"	1 3/8" - 6 2010-2804-360	+ 1 3/8" - 6 2010-2803-790	= 2010-2802-660
		1 3/8" - 6 2010-2804-360	+ 1 3/4" - 20 2010-2804-350	= 2010-2803-220
		1 3/8" - 21 2010-2804-690	+ 1 3/8" - 6 2010-2803-790	= 2010-2803-460
		1 3/8" - 21 2010-2804-690	+ 1 3/4" - 20 2010-2804-350	= 2010-2803-490
		1 3/4" - 20 2010-2804-180	+ 1 3/8" - 6 2010-2803-790	= 2010-2803-470
		1 3/4" - 20 2010-2804-180	+ 1 3/4" - 20 2010-2804-350	= 2010-2803-480
84"	69.50"	1 3/8" - 6 2010-2805-190	+ 1 3/4" - 20 2010-2805-270	= 2010-2804-650
		1 3/8" - 21 2010-2805-180	+ 1 3/4" - 20 2010-2805-270	= 2010-2804-610
		1 3/4" - 20 2010-2803-990	+ 1 3/4" - 20 2010-2805-270	= 2010-2803-610

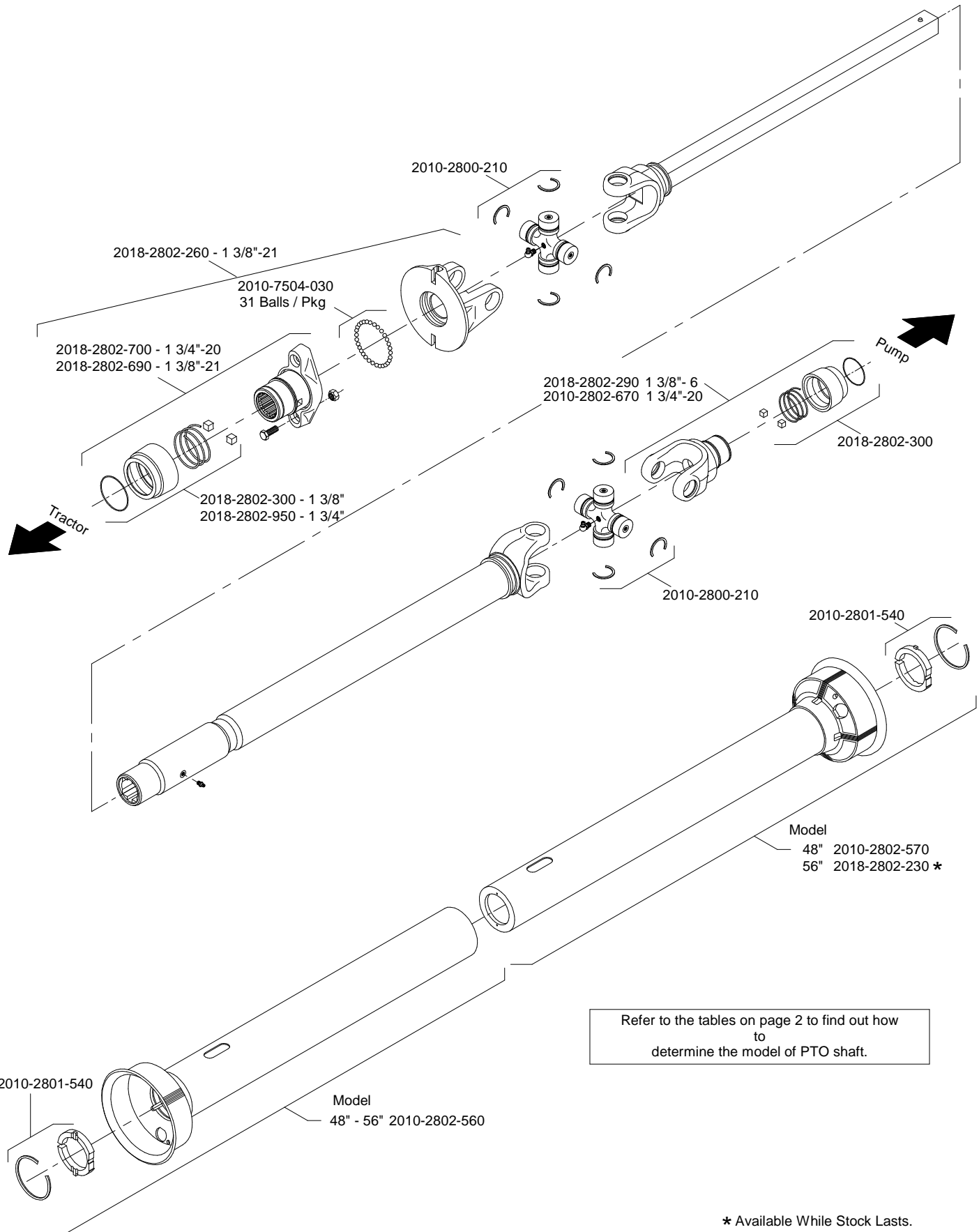
Pumps

### 77 Series



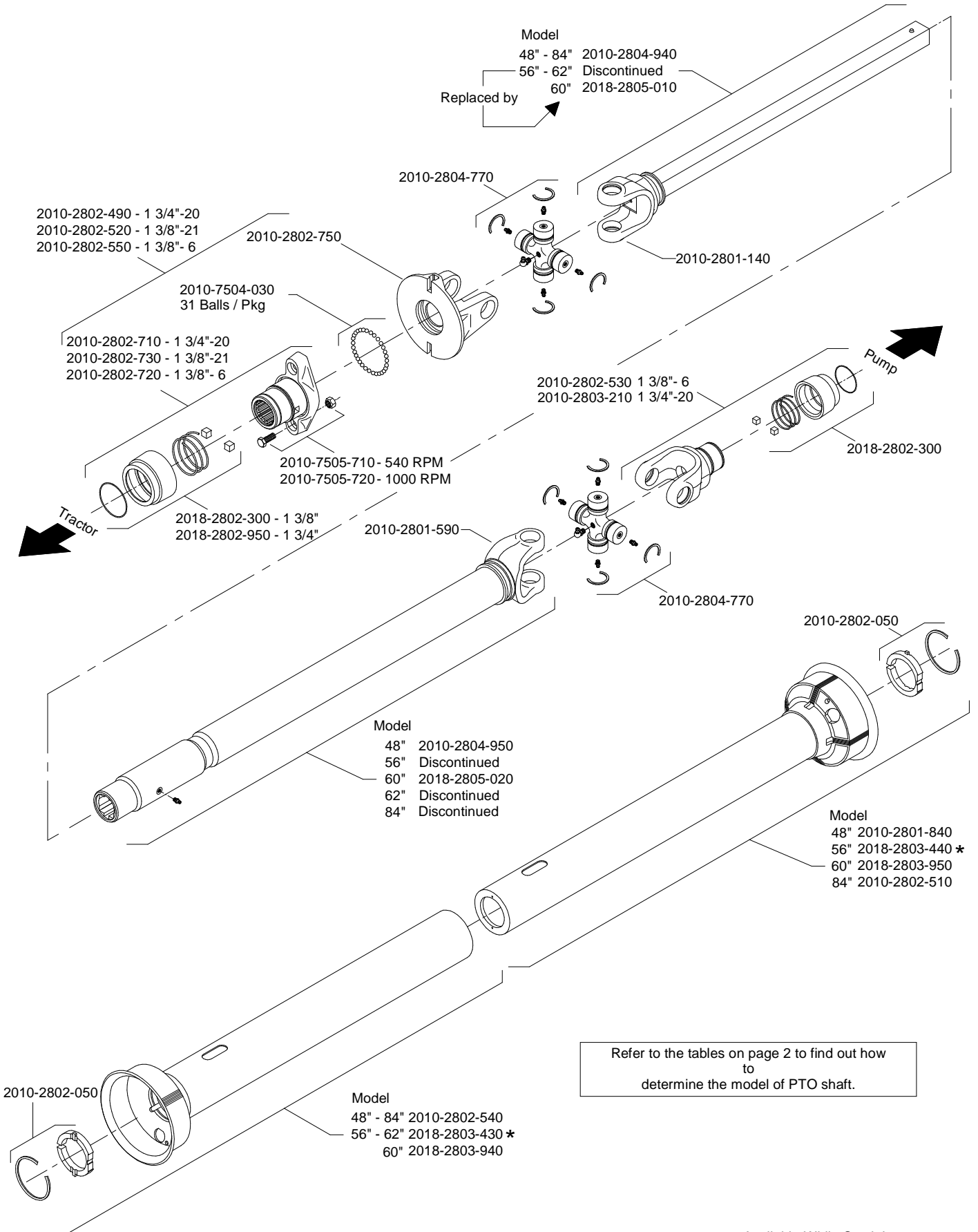
Model	Length Retracted	Half-P.T.O. Tractor End	Half-P.T.O. Pump End	Complete P.T.O.
48"	34.25"	1 3/8" - 21 -	+ 1 3/4" - 20 -	= 2010-2805-820
		1 3/4" - 20 -	+ 1 3/4" - 20 -	= 2010-2805-840
84"	65.88"	1 3/8" - 21 -	+ 1 3/4" - 20 -	= 2010-2805-830
		1 3/4" - 20 -	+ 1 3/4" - 20 -	= 2010-2805-850

Pumps

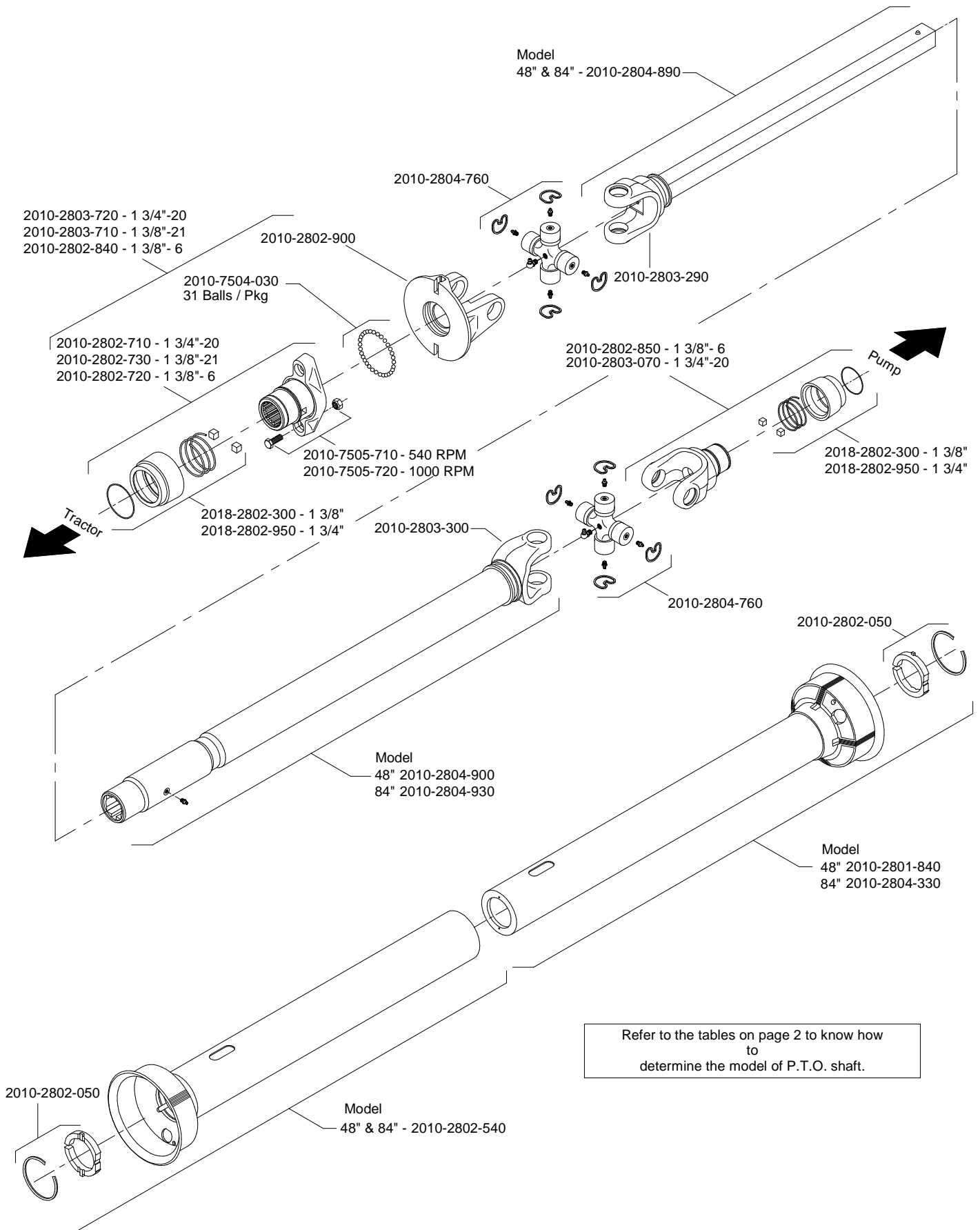


Refer to the tables on page 2 to find out how to determine the model of PTO shaft.

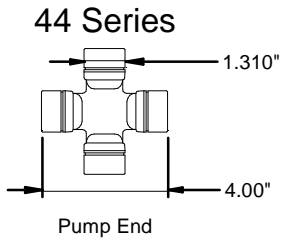
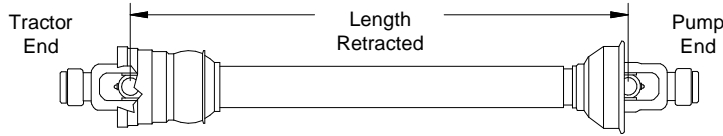
\* Available While Stock Lasts.



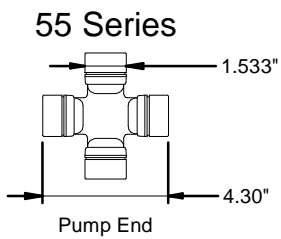
Refer to the tables on page 2 to find out how to determine the model of PTO shaft.



Refer to the tables on page 2 to know how to determine the model of P.T.O. shaft.

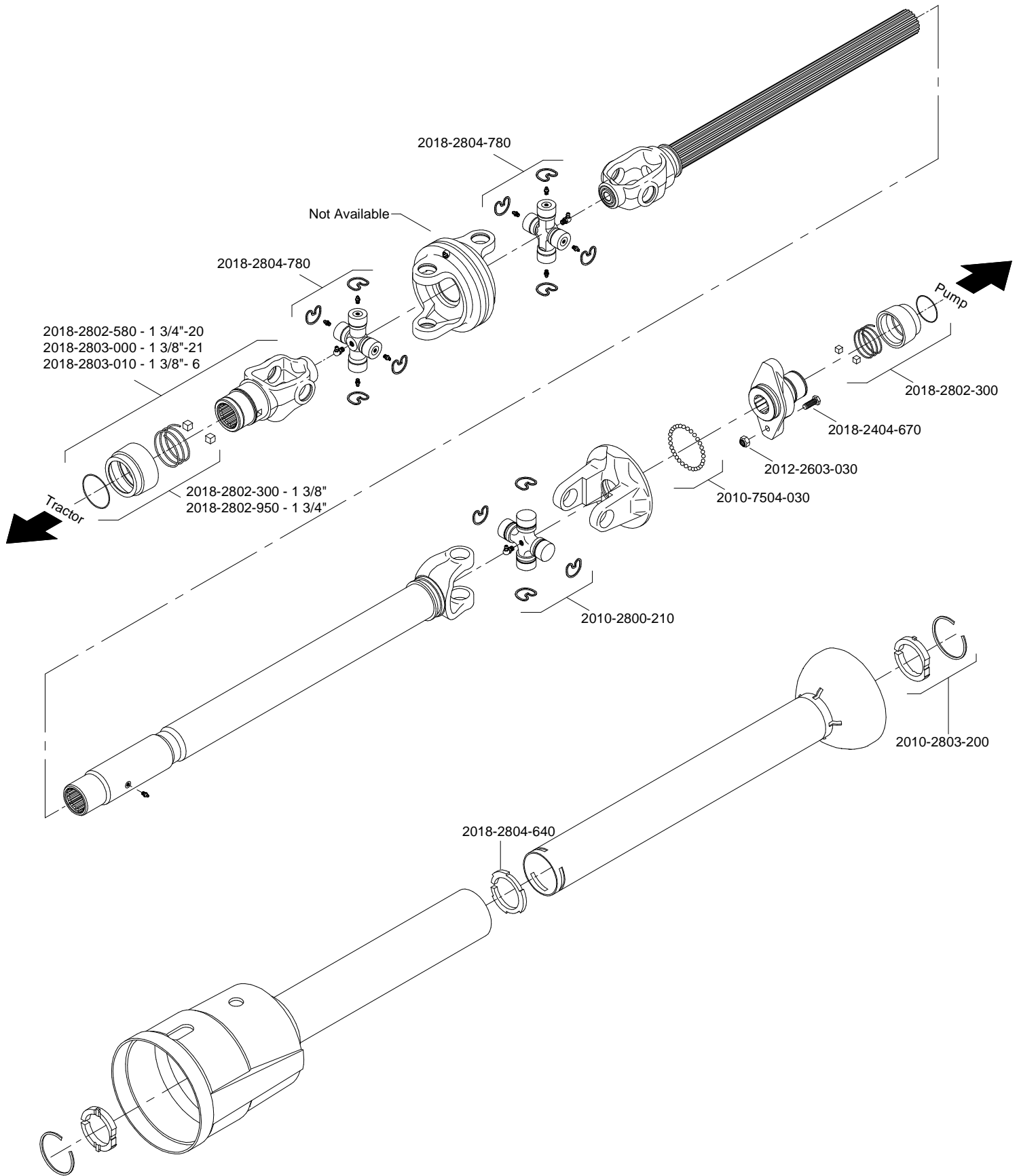


Model	Length Retracted	Half-P.T.O. Tractor End	Half-P.T.O. Pump End	Complete P.T.O.
56"	46.44"	See 60"	+ See 60"	= See 60"
60"	46.00"	1 3/8" - 6 2018-2804-260	+ 1 3/8" - 6 2018-2804-290	= 2018-2803-920
		1 3/8" - 21 2018-2804-270	+ 1 3/8" - 6 2018-2804-290	= 2018-2803-910
		1 3/4" - 20 2018-2804-280	+ 1 3/8" - 6 2018-2804-290	= 2018-2803-930
62"	52.44"	See 60"	+ Not Available	= See 60"



Model	Length Retracted	Half-P.T.O. Tractor End	Half-P.T.O. Pump End	Complete P.T.O.
84"	69.38"	1 3/8" - 6 2010-2805-130	+ 1 3/4" - 20 2010-2805-140	= 2010-2804-750

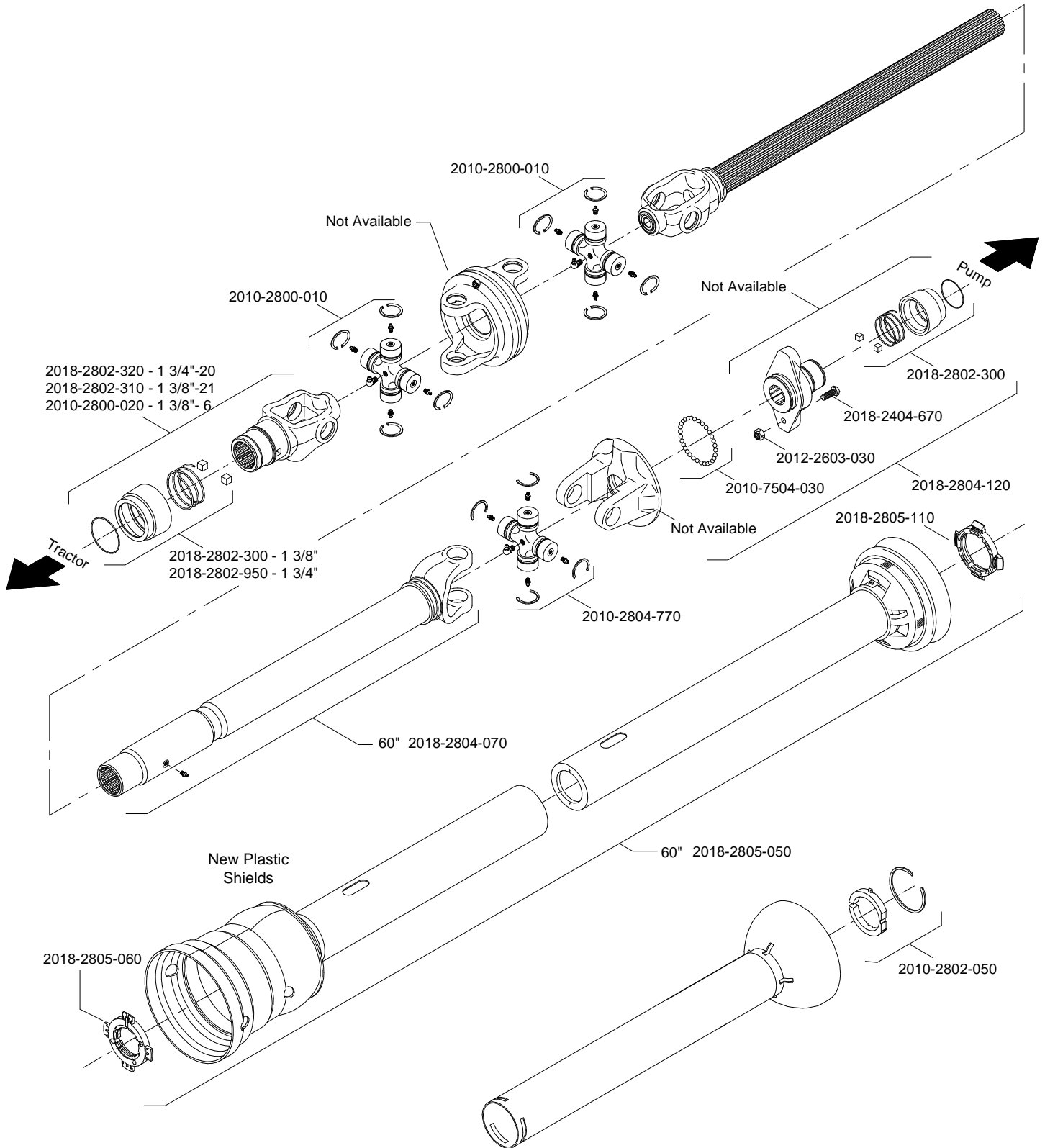
**35 SERIES CONSTANT VELOCITY P.T.O. SHAFT**



\* Available While Stock Lasts

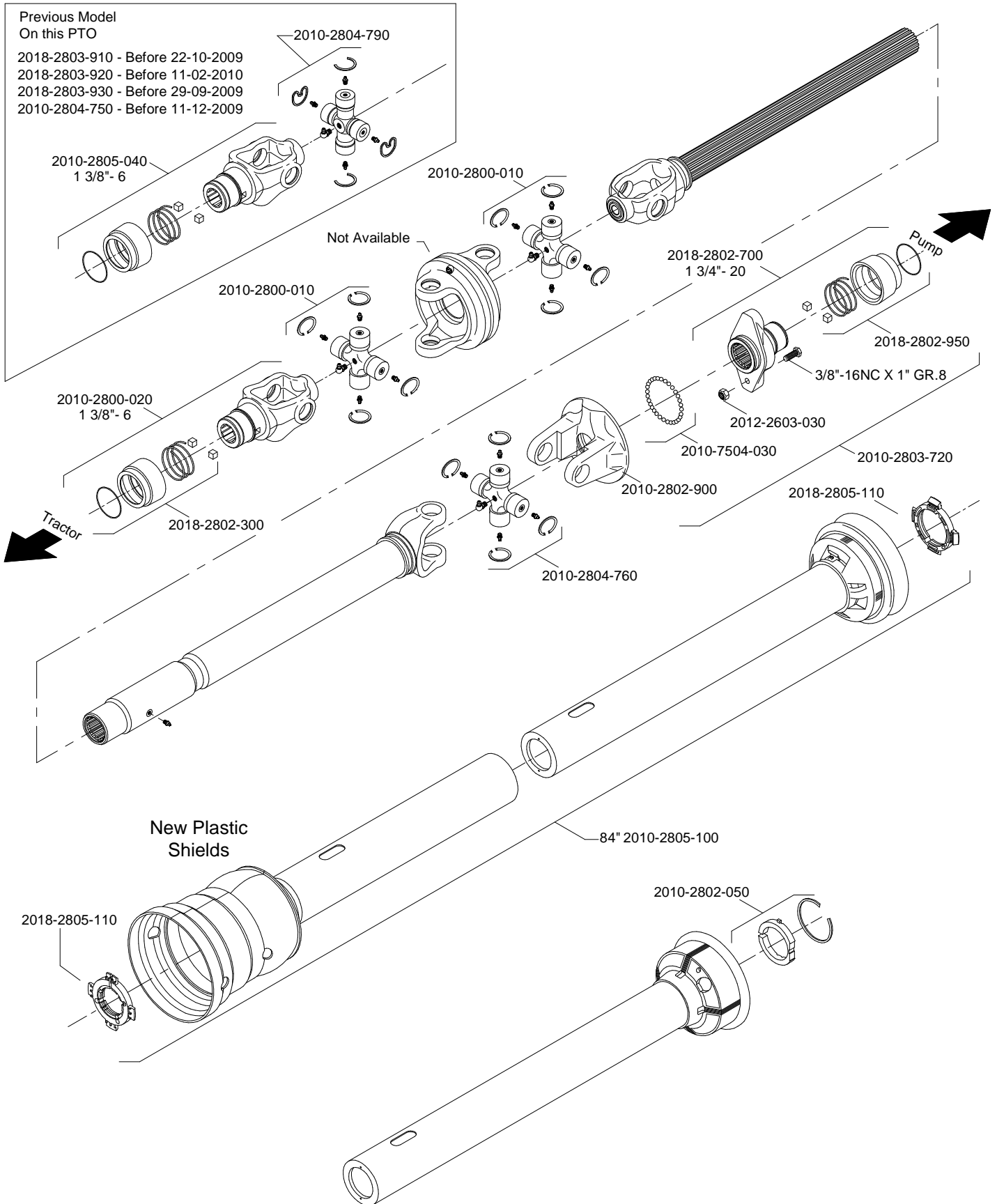


## 44 SERIES CONSTANT VELOCITY PTO SHAFT



Refer to the tables on page 6 to determine the model of PTO shaft.

## 55 SERIES CONSTANT VELOCITY PTO SHAFT



\* Available While Stock Lasts

**MA type pulley**  
1 groove

Nominal	O.D.	Datum	Bore	Style	Part no
MA30	3.05"	2.80"	0.625"	A	2005-3501-220
MA38	3.75"	3.50"	0.500"	A	2005-3501-260
MA40	3.95"	3.70"	0.500"	A	2010-3500-210
MA40	3.95"	3.70"	1.370"	A	2010-3500-200
MA50	4.95"	4.70"	0.625"	B	2010-3500-330
MA88	8.75"	8.50"	0.750"	B	2005-3502-430
MA100	10.00"	9.75"	1.125"	B	2005-3501-130

**2MA type pulley**  
2 grooves

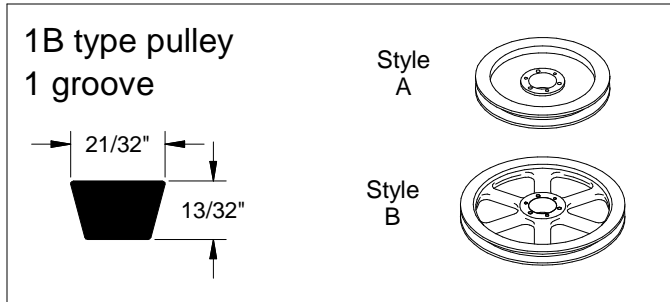
Nominal	O.D.	Datum	Bore	Style	Part no
2MA22	2.15"	1.90"	0.625"	A	2019-3501-450
2MA23	2.25"	2.00"	0.625"	A	2019-3501-460

**MB type pulley**  
1 groove

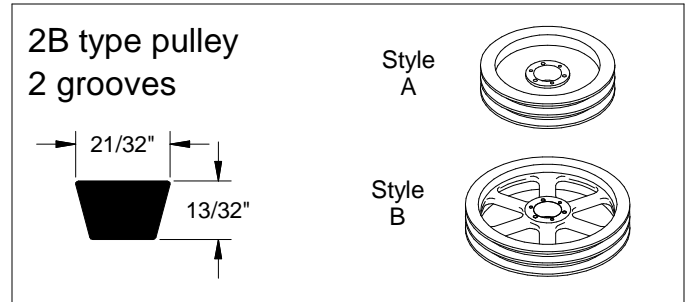
Nominal	O.D.	Datum	Bore	Style	Part no
MB30	2.95"	2.60"	0.625"	A	2005-3502-590
MB30	2.95"	2.60"	1.125"	A	2019-3501-280
MB35	3.55"	3.20"	1.125"	A	2019-3501-320
MB40	3.95"	3.60"	0.875"	A	2003-3500-320
MB40	3.95"	3.60"	1.125"	A	2003-3500-510
MB43	4.25"	3.90"	28mm	A	2019-3502-870
MB48	4.75"	4.40"	28mm	A	2019-3502-880
MB60	5.95"	5.60"	1.125"	B	2005-3500-640
MB80	8.00"	7.65"	1.125"	B	2005-3500-600
MB120	12.00"	11.65"	1.125"	B	-

**2MB type pulley**  
2 grooves

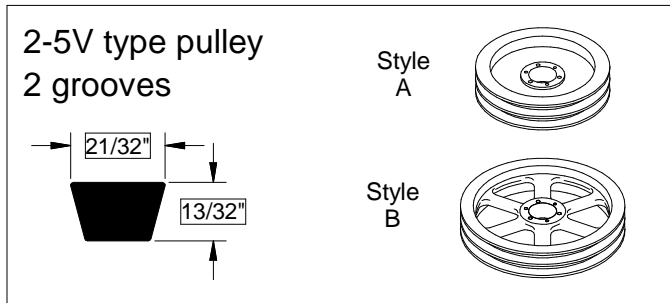
Nominal	O.D.	Datum	Bore	Style	Part no
2MB25	2.50"	2.30"	0.875"	A	2003-3500-060
2MB25	2.50"	2.30"	1.125"	A	2003-3500-050
2MB30	2.95"	2.60"	0.625"	A	2005-3500-630
2MB30	2.95"	2.60"	0.875"	A	2003-3500-030
2MB30	2.95"	2.60"	28mm	A	2003-3502-710
2MB35	3.55"	3.20"	0.875"	A	2003-3500-340
2MB35	3.55"	3.20"	1.125"	A	2011-3500-190
2MB38	3.75"	3.40"	0.750"	A	2003-3501-310
2MB38	3.75"	3.40"	1.125"	A	2003-3501-240
2MB38	3.75"	3.40"	19mm	A	-
2MB38	3.75"	3.40"	24mm	A	2005-3502-640
2MB38	3.75"	3.40"	28mm	A	2003-3502-450
2MB40	3.95"	3.60"	1.125"	A	2003-3500-360
2MB45	4.45"	4.10"	0.625"	A	2003-3501-290
2MB45	4.45"	4.10"	24mm	A	2003-3502-600
2MB55	5.45"	5.10"	1.125"	A	2011-3500-760



Nominal	O.D.	Datum	Hub	Style	Part no
1B50	5.35"	5.00"	SDS	A	2008-3502-410
1B52	5.55"	5.20"	SDS	A	2008-3501-040
1B56	5.95"	5.60"	SDS	A	2008-3501-490
1B60	6.35"	6.00"	SDS	A	2008-3500-980
1B62	6.55"	6.20"	SDS	A	2008-3501-580
1B68	7.15"	6.80"	SDS	A	2008-3501-080
1B70	7.35"	7.00"	SDS	B	2008-3501-380
1B80	8.35"	8.00"	SDS	B	2008-3500-870
1B124	12.75"	12.40"	SDS	B	2008-3500-890

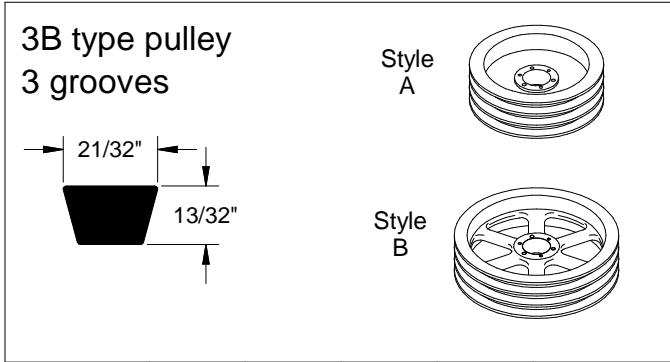


Nominal	O.D.	Datum	Hub	Style	Part no
2B34	3.75"	3.40"	SH	A	2011-3503-890
2B36	3.95"	3.60"	SH	A	2008-3503-050
2B38	4.15"	3.80"	SH	A	2011-3500-350
2B40	4.35"	4.00"	SH	A	2008-3501-560
2B42	4.55"	4.20"	SH	A	2017-3500-500
2B44	4.75"	4.40"	SH	A	2008-3501-570
2B46	4.95"	4.60"	SDS	?	2011-3501-530
2B48	5.15"	4.80"	SDS	A	2008-3501-590
2B50	5.35"	5.00"	SDS	A	2008-3501-600
2B52	5.55"	5.20"	SDS	A	2008-3501-610
2B54	5.75"	5.40"	SDS	A	2008-3501-620
2B56	5.95"	5.60"	SDS	A	2008-3501-630
2B58	6.15"	5.80"	SDS	A	2008-3501-640
2B60	6.35"	6.00"	SDS	A	2008-3501-120
2B62	6.55"	6.20"	SDS	A	2017-3500-520
2B64	6.75"	6.40"	SDS	A	2008-3501-650
2B66	6.95"	6.60"	SDS	A	2008-3502-940
2B68	7.15"	6.80"	SDS	A	2008-3501-020
2B70	7.35"	7.00"	SK	A	2008-3502-300
2B74	7.75"	7.40"	SK	A	2008-3501-070
2B80	8.35"	8.00"	SK	A	2008-3500-880
2B86	8.95"	8.60"	SK	B	2008-3502-320
2B90	9.35"	9.00"	SK	B	2008-3502-950
2B94	9.75"	9.40"	SK	B	2008-3502-960
2B110	11.35"	11.00"	SK	B	2019-3504-980
2B124	12.75"	12.40"	SK	B	2008-3500-900
2B154	15.750"	15.40"	SK	B	2011-3500-160
2B160	16.35"	16.00"	SK	B	2011-3500-010

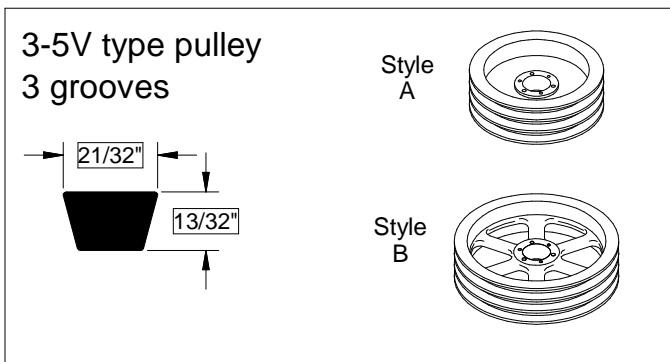


Nominal	O.D.	Datum	Hub	Style	
2-5V5,5	00	00	SDS	?	2019-3504-010
2-5V5,9	00	00	SDS	?	2019-3504-660
2-5V9,25	00	00	SK	?	2019-3504-050
2-5V10,9	00	00	SK	?	2019-3501-230

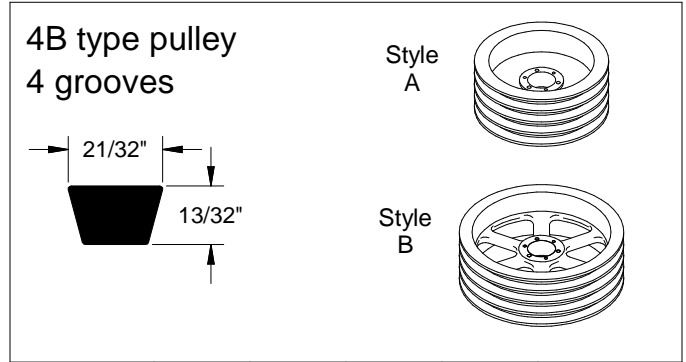
## PULLEY



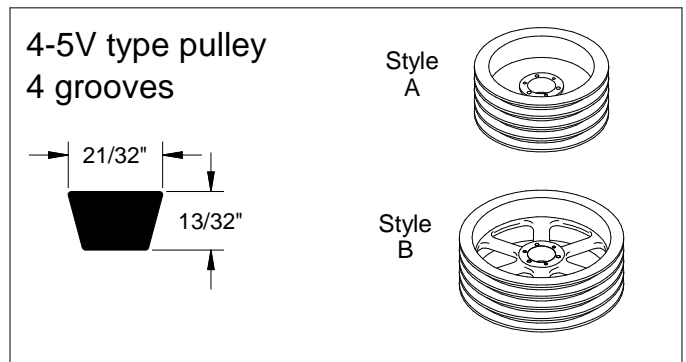
Nominal	O.D.	Datum	Hub	Style	Part no
3B11	00	00	OO	OO	2008-3501-820
3B34	3.75"	3.40"	SH	A	2008-3501-660
3B36	3.95"	3.60"	SH	A	-
3B38	4.15"	3.80"	SH	A	-
3B40	4.35"	4.00"	SH	A	2008-3501-690
3B42	4.55"	4.20"	SH	A	2008-3501-700
3B44	4.75"	4.40"	SH	A	2008-3501-710
3B46	4.95"	4.60"	SD	A	2008-3501-440
3B48	5.15"	4.80"	SD	A	2008-3501-720
3B50	5.35"	5.00"	SD	A	2008-3501-730
3B52	5.55"	5.20"	SD	A	2008-3501-740
3B54	5.75"	5.40"	SD	A	2008-3501-750
3B56	5.95"	5.60"	SD	A	2008-3501-510
3B58	6.15"	5.80"	SD	A	2008-3501-770
3B60	6.35"	6.00"	SD	A	2008-3501-010
3B62	6.55"	6.20"	SD	A	2008-3501-780
3B64	6.75"	6.40"	SD	A	2008-3500-950
3B66	6.95"	6.60"	SD	A	2008-3501-790
3B68	7.15"	6.80"	SD	A	2008-3501-050
3B70	7.35"	7.00"	SK	A	2008-3501-800
3B74	7.75"	7.40"	SK	A	2008-3501-200
3B80	8.35"	8.00"	SK	A	2008-3500-990
3B86	8.95"	8.60"	SK	B	2008-3501-810
3B94	9.75"	9.40"	SK	B	2008-3502-980
3B110	11.35"	11.00"	SK	B	2008-3501-820
3B124	12.75"	12.40"	SK	B	2008-3501-410
3B136	13.95"	13.60"	SK	B	-
3B154	15.75"	15.40"	SK	B	2008-3500-910
3B160	16.35"	16.00"	SK	B	2008-3501-840



Nominal	O.D.	Datum	Hub	Style	Part no
3-5V6.70	00	00	OO	OO	2019-3503-740
3-5V7.50	00	00	OO	OO	2019-3503-570
3-5V8.00	00	00	OO	OO	2019-3503-770
3-5V9.00	00	00	OO	OO	2019-3504-260

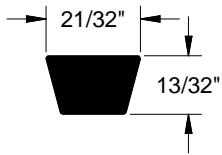


Nominal	O.D.	Datum	Hub	Style	Part no
4B36	3.95"	3.60"	SD	A	2019-3502-750
4B46	4.95"	4.60"	SD	A	2008-3501-850
4B48	5.15"	4.80"	SD	A	2008-3501-860
4B50	5.35"	5.00"	SD	A	-
4B52	5.55"	5.20"	SD	A	2008-3501-880
4B54	5.75"	5.40"	SD	A	2008-3501-890
4B56	5.95"	5.60"	SD	A	2008-3501-900
4B58	6.15"	5.80"	SD	A	2008-3501-910
4B60	6.35"	6.00"	SD	A	2008-3501-920
4B62	6.55"	6.20"	SD	A	2008-3501-930
4B64	6.75"	6.40"	SD	A	2008-3501-390
4B66	6.95"	6.60"	SD	A	-
4B68	7.15"	6.80"	SD	A	-
4B70	7.35"	7.00"	SK	A	2008-3501-960
4B74	7.75"	7.40"	SK	A	2008-3501-350
4B80	8.35"	8.00"	SK	A	2008-3501-970
4B124	12.75"	12.40"	SK	B	2008-3501-430
4B136	13.95"	13.60"	SK	B	2008-3502-330
4B154	15.75"	15.40"	SF	B	2008-3501-190
4B160	16.35"	16.00"	SF	B	2008-3501-990
4B184	18.75"	18.40"	SF	B	2008-3503-060

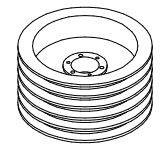


Nominal	O.D.	Datum	Hub	Style	Part no
4-5V7.10	00	00	OO	OO	2019-3503-860
4-5V14.00	00	00	OO	OO	2019-3504-170

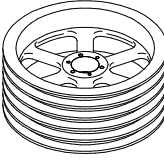
**5B type pulley  
5 grooves**



Style A

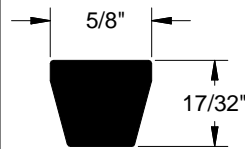


Style B

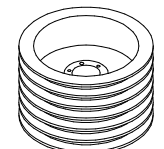


Nominal	O.D.	Datum	Hub	Style	Part no
5B36	3.95"	3.60"	SD	A	2019-3502-770
5B40	4.35"	4.00"	SD	A	2019-3502-780
5B44	4.75"	4.40"	SD	A	2019-3502-790
5B46	4.95"	4.60"	SD	A	2019-3502-800
5B50	5.35"	5.00"	SD	A	2019-3502-810
5B54	5.75"	5.40"	SK	A	2008-3502-350
5B58	6.15"	5.80"	SK	A	2008-3502-360
5B62	6.55"	6.20"	SK	A	2019-3502-820
5B64	6.75"	6.40"	SK	A	2008-3503-090
5B74	7.75"	7.40"	SF	A	2008-3502-340
5B80	8.35"	8.00"	SF	A	2008-3502-000
5B90	9.35"	9.00"	SF	B	2008-3503-100
5B136	13.95"	13.60"	SF	B	2008-3502-370
5B154	15.75"	15.40"	SF	B	2008-3502-010
5B184	18.75"	18.40"	SF	B	2019-3502-830

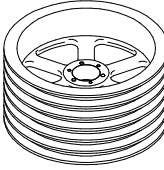
**6-5V type pulley  
6 grooves**



Style A

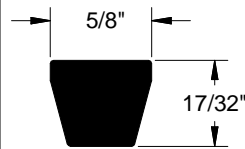


Style B

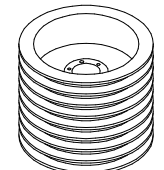


Nominal	O.D.	Datum	Hub	Style	Part no
6-5V7.10	7.10"	7.00"	SF	A	2015-3500-130
6-5V7.50	7.50"	7.40"	SF	A	2015-3500-120
6-5V8.00	8.00"	7.90"	E	A	2015-3500-110
6-5V16.0	16.00"	15.90"	F	B	2015-3500-080

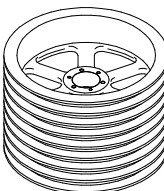
**8-5V type pulley  
8 grooves**



Style A



Style B



Nominal	O.D.	Datum	Hub	Style	Part no
8-5V7.10	7.10"	7.00"	SF	A	2015-3500-230
8-5V7.50	7.50"	7.40"	SF	A	2015-3500-370
8-5V8.00	8.00"	7.90"	E	A	2015-3500-660
8-5V16.0	16.00"	15.90"	F	B	2015-3500-240
8-5V18.7	18.70"	18.60"	J	B	2015-3500-670
8-5V21.2	21.20"	21.10"	J	B	2015-3502-690

"A" section v-belt

Nominal	Datum	Part no
A42	43.3"	2005-3501-150
A43	44.3"	2005-3501-420

"BX" section v-belt

Nom.	Datum	Part no	Nom.	Datum	Part no
BX54	55.8"	2019-3502-720	BX67	68.8"	2008-3502-220
BX56	57.8"	2008-3502-520	BX68	69.8"	2008-3502-230
BX57	00	2019-3503-140	BX70	71.8"	2008-3502-250
BX58	59.8"	2019-3502-730	BX71	72.8"	2008-3502-260
BX60	61.8"	2008-3502-180	BX73	74.8"	2008-3502-510
BX61	62.8"	2008-3502-190	BX75	76.8"	2019-3502-840
BX62	63.8"	2011-3500-180	BX77	78.8"	2008-3502-580
BX63	64.8"	2008-3502-200	BX82	00	2019-3503-870
BX64	65.8"	2011-3501-360	BX85	00	2019-3504-190
BX65	66.8"	2011-3501-370	BX88	00	2019-3504-490
BX66	67.8"	2008-3502-210	BX90	00	2019-3504-700

"B" section v-belt

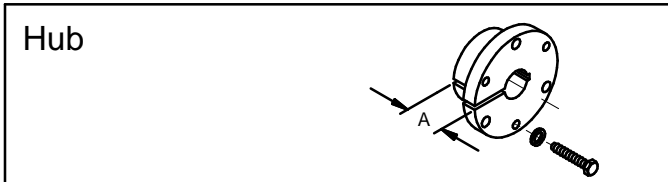
Nom.	Datum	Part no	Nom.	Datum	Part no
B32	00	2008-3501-250	B70	71.8"	2008-3501-500
B33	34.8"	2008-3502-470	B71	72.8"	2008-3501-090
B34	35.8"	2008-3502-490	B72	73.8"	2008-3502-110
B35	36.8"	2008-3502-480	B73	74.8"	2008-3501-550
B36	37.8"	2005-3500-650	B74	75.8"	2008-3501-520
B38	39.8"	2005-3500-620	B75	76.8"	2018-3500-810
B46	47.8"	2003-3500-610	B76	77.8"	2008-3502-130
B54	55.8"	2019-3501-270	B77	78.8"	2008-3501-340
B57	58.8"	2006-3500-070	B79	80.8"	2008-3501-160
B59	60.8"	2003-3500-010	B83	84.8"	2018-3500-820
B60	61.8"	2003-3500-040	B85	00	2019-3504-210
B61	62.8"	-	B86	00	2019-3504-220
B62	63.8"	2003-3500-450	B87	00	2019-3504-230
B63	64.8"	2008-3502-030	B88	00	2019-3504-240
B64	65.8"	2011-3500-550	B89	00	2019-3504-250
B65	66.8"	2003-3500-270	B97	98.8"	2003-3500-290
B66	67.8"	2008-3502-090	B98	99.8"	2003-3500-440
B67	68.8"	2017-3500-540	B99	100.8"	2003-3500-400
B68	69.8"	2008-3501-170	B100	101.8"	2003-3500-410
B69	70.8"	2008-3501-330	B108	109.8"	2003-3500-300

"5V" section v-belt

Nominal	Outside length	Part no
5V750	75"	2015-3500-090
5V800	80"	2015-3500-720
5V850	85"	2015-3500-840

"5VX" section v-belt

Nom.	Datum	Part no	Nom.	Datum	Part no
5VX600	00	-	5VX650	00	2019-3503-670
5VX630	00	2019-3503-660	5VX660	00	2019-3501-240



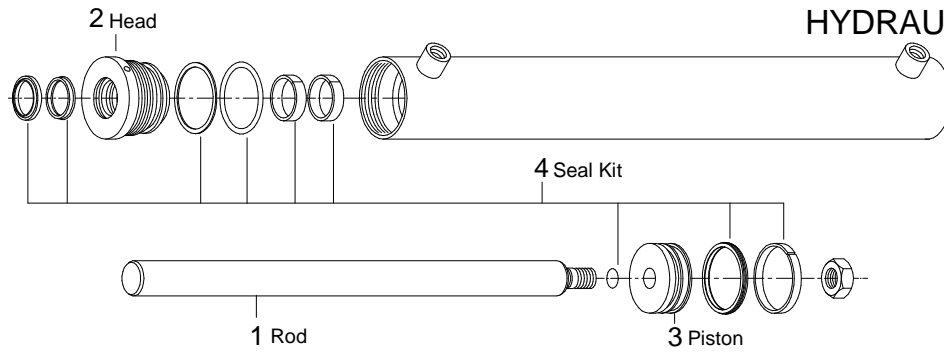
Nominal	A	Bore	Part no
SH	1 1/4"	1.125"	2017-3500-490
SH	1 1/4"	1.375"	2011-3500-460
SH	1 1/4"	1.625"	2008-3502-030
SDS	1 5/16"	0.875"	2019-3501-290
SDS	1 5/16"	1.125"	2017-3500-530
SDS	1 5/16"	1.375"	2011-3500-770
SDS	1 5/16"	1.625"	2008-3501-180
SDS	1 5/16"	1.750"	2008-3500-920
SDS	1 5/16"	38mm	2013-3501-540
SDS	00	42mm	2019-3504-120
SD	00"	1.125"	2008-3504-270
SD	00"	1.375"	2019-3503-600
SD	1 13/16"	1.875"	2008-3501-100
SD	1 13/16"	42mm	2008-3502-460
SK	1 7/8"	1.125"	-
SK	1 7/8"	1.375"	2008-3502-270
SK	1 7/8"	1.625"	2008-3500-930
SK	1 7/8"	1.750"	2008-3500-940
SK	1 7/8"	1.875"	2008-3501-060
SK	00	48mm	2008-3503-080
SK	1 7/8"	2.000"	2011-3502-860
SK	1 7/8"	2.125"	2008-3501-000
SK	1 7/8"	2.375"	2008-3502-290
SK	1 7/8"	55mm	-
SF	2"	1.625"	2015-3500-150
SF	2"	1.750"	2008-3501-210
SF	2"	2.000"	2011-3502-490
SF	2"	2.125"	2008-3502-060
SF	2"	2.375"	2008-3502-280
E	2 5/8"	1.625"	2015-3500-140
E	00"	1.75"	2019-3503-550
E	2 5/8"	2.125"	2015-3500-690
F	3 5/8"	1.750"	2015-3500-100
J	4 1/2"	1.938"	2015-3500-680



Round U-bolt			
Nominal	A	B	Part no
5/16"-18NC	0.875"	1.250"	2012-3800-340
3/8"-16NC	1.375"	2.063"	2012-3800-350
3/8"-16NC	1.688"	2.563"	2012-3800-310
3/8"-16NC	1.900"	2.750"	2012-3800-580
3/8"-16NC	2.375"	3.313"	2012-3801-940
3/8"-16NC	4.063"	5.625"	2012-3801-100
7/16"-14NC	2.375"	3.250"	2012-3802-370
7/16"-14NC	3.500"	4.375"	2012-3802-380
1/2"-13NC	4.000"	5.000"	2008-3803-760
5/8"-11NC	6.000"	9.000"	2011-3801-980

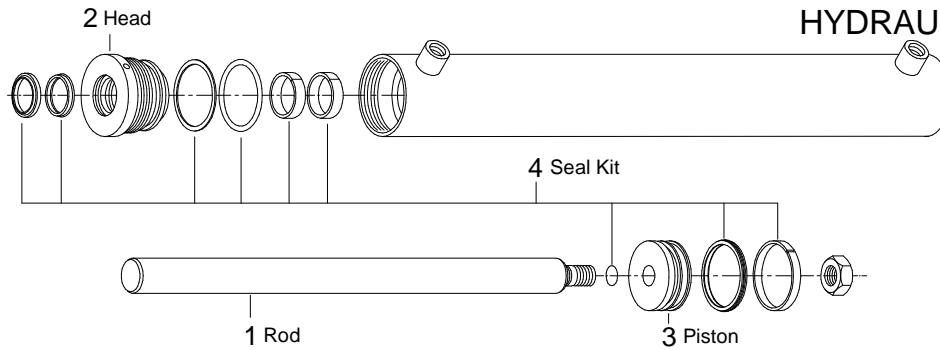
Square U-bolt			
Nominal	A	B	Part no
3/8"-16NC	2.000"	3.000"	2011-3801-010
1/2"-13NC	3.000"	4.000"	2018-3801-950
1/2"-20NF	3.000"	5.750"	2018-3802-150
1/2"-13NC	4.000"	5.000"	2018-3802-000
1/2"-13NC	4.000"	15.000"	-
3/4"-10NC	4.000"	5.250"	2001-3800-620
3/4"-10NC	4.000"	7.250"	2001-3800-630
3/4"-10NC	4.000"	9.250"	-
3/4"-10NC	4.000"	12.000"	-
3/4"-10NC	4.063"	8.000"	2018-3802-220

## HYDRAULIC CYLINDER



Complete Cylinder Part Number	Inner Diameter	Rod Diameter	Stroke	1 Rod	2 Head	3 Piston	4 Seal Kit
2007-3300-840	5"	4"	48"	2007-3300-410	2007-3300-420	—————	2007-3300-440
2007-3300-050	3"	1 3/4"	19 3/4"	2007-3300-330	2007-3300-460	2007-3300-470	2007-3300-340
2007-3300-060	2 1/2"	1 1/4"	14"	2007-3300-320	2007-3300-490	2007-3300-500	2007-3300-350
2007-3302-830	2 1/2"	1 1/4"	10 1/2"	2007-3303-120	2007-3303-130	2007-3303-140	2007-3303-150
2007-7700-090	3"	1 1/2"	14"	2007-3300-320	2007-3300-490	2007-3300-500	2007-3300-350
2007-7728-860	3"	1 1/2"	14"	2007-3303-800	2007-3303-810	2007-3303-830	2007-3303-820
2010-3300-110	3"	1 1/4"	22"	2010-3300-270	2010-3300-640	2010-3300-650	2010-3300-660
2010-3300-120	3 1/2"	2"	44"	—————	—————	—————	2010-3300-720
2010-3300-130	3"	1 1/4"	16"	2010-3300-680	2010-3300-640	2010-3300-650	2010-3300-660
2010-3300-150	2 1/2"	1 1/2"	96"	2010-3300-740	2010-3300-750	2010-3300-760	2010-3300-770
2010-3300-230	1 1/2"	3/4"	8"	—————	—————	—————	2010-3300-550
2010-3300-380	3 1/2"	1 1/4"	12"	2010-3300-930	2010-3300-940	2010-3303-680	2010-3301-210
2010-3301-060	2 1/2"	1 1/2"	120"	2010-3301-180	2010-3300-750	2010-3300-760	2010-3300-770
2010-3301-070	2 1/2"	1 1/2"	144"	2010-3302-720	2010-3300-750	2010-3300-760	2010-3300-770
2010-3301-090	3 1/2"	1 1/2"	24"	2010-3301-420	2010-3301-030	2010-3300-950	2010-3300-960
2010-3301-370	3 1/2"	1 1/2"	16"	2010-3300-980	2010-3301-030	2010-3300-950	2010-3300-960
2010-3301-660	2"	1"	8"	2010-3301-770	—————	—————	2007-3300-820
2010-3301-720	2"	1"	10"	2010-3301-840	—————	—————	2007-3300-820
2010-3301-890	3"	1 1/4"	12"	2010-3302-170	2010-3300-640	2010-3300-650	2010-3300-660
2010-3302-120	3"	2"	168"	—————	2010-3303-690	2010-3303-700	2010-3302-110
2010-3302-580	2 1/2"	1 1/2"	96"	2010-3300-740	2010-3300-750	2010-3300-760	2010-3300-770
2010-3302-650	1 1/2"	3/4"	4"	2010-3303-660	—————	—————	2010-3300-550
2010-3302-660	1 1/2"	3/4"	8"	2010-3303-670	—————	—————	2010-3300-550
2010-3303-160	2"	1"	10"	2010-3301-840	—————	—————	2007-3300-820
2010-3303-310	3 1/2"	1 1/2"	36"	2010-3303-580	2010-3301-030	2010-3300-950	2010-3300-960
2010-3303-320	3 1/2"	2"	84"	—————	—————	—————	2010-3304-350
2010-3303-460	3"	1 1/4"	8"	2010-3302-320	2010-3300-640	2010-3300-650	2010-3300-660
2010-3303-490	4"	1 1/2"	16"	2010-3300-980	2010-3303-710	2010-3303-720	2010-3303-730
2010-3303-540	2 1/2"	1 1/4"	32"	2018-3303-270	2018-3302-990	2018-3303-060	2018-3302-560
2010-3303-600	2 1/2"	1 1/2"	60"	—————	—————	—————	—————
2010-3303-790	1 1/2"	3/4"	6 1/2"	—————	—————	—————	2010-3300-550
2010-3304-280	1 1/2"	3/4"	6 1/2"	—————	—————	—————	2010-3300-550
2010-3304-440	4"	2"	36"	2010-3304-510	2010-3304-520	2010-3304-530	2010-3304-540
2011-3300-010	3"	2"	18"	2011-3301-130	2010-3303-690	2010-3303-700	2010-3302-110
2011-3300-310	3"	1 1/2"	42"	2011-3300-880	2011-3300-890	2011-3300-900	2011-3300-910
2011-3300-940	2"	1"	18"	2011-3300-270	2018-3303-640	2018-3303-650	2018-3303-630
2007-3300-830	4"	2 1/2"	48"	2011-3301-430	2011-3301-440	2011-3301-450	2011-3301-460
2013-3302-480	2 1/2"	1 1/4"	33"	2013-3303-870	2013-3302-790	2013-3303-880	2013-3302-780
2013-3303-220	2 1/2"	1 1/4"	33"	2013-3303-870	2013-3302-790	2013-3303-920	2013-3302-780
2013-7611-920	2 1/2"	1 1/4"	72"	2013-3303-250	2013-3302-790	2013-3303-230	2013-3302-780

## HYDRAULIC CYLINDER

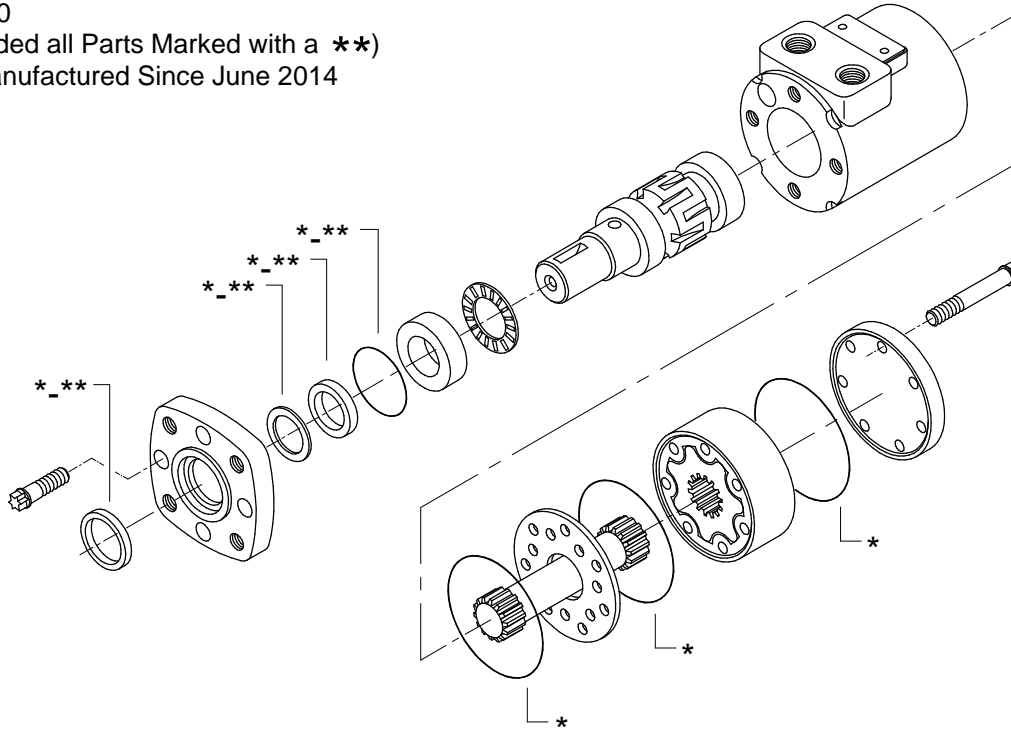


Complete Cylinder Part Number	Inner Diameter	Rod Diameter		1 Rod	2 Head	3 Piston	4 Seal Kit
2013-7611-930	2 1/2"	1 1/4"	108"	2013-3303-260	2013-3302-790	2013-3303-230	2013-3302-780
2013-7626-280	2 1/2"	1 1/4"	72"	2013-3303-250	2013-3302-790	2013-3303-230	2013-3302-780
2013-7626-290	2 1/2"	1 1/4"	72"	2013-3303-250	2013-3302-790	2013-3303-230	2013-3302-780
2013-7626-300	2 1/2"	1 1/4"	108"	2013-3303-260	2013-3302-790	2013-3303-230	2013-3302-780
2013-7626-310	2 1/2"	1 1/4"	108"	2013-3303-260	2013-3302-790	2013-3303-230	2013-3302-780
2013-7629-170	2 1/2"	1 1/4"	72"	2013-3303-250	2013-3302-790	2013-3302-810	2013-3302-780
2013-7629-180	2 1/2"	1 1/4"	72"	2013-3303-250	2013-3302-790	2013-3302-810	2013-3302-780
2013-7629-190	2 1/2"	1 1/4"	72"	2013-3303-250	2013-3302-790	2013-3302-810	2013-3302-780
2013-7629-200	2 1/2"	1 1/4"	108"	2013-3303-260	2013-3302-790	2013-3302-810	2013-3302-780
2013-7629-210	2 1/2"	1 1/4"	108"	2013-3303-260	2013-3302-790	2013-3302-810	2013-3302-780
2013-7629-220	2 1/2"	1 1/4"	108"	2013-3303-260	2013-3302-790	2013-3302-810	2013-3302-780
2018-3300-240	2"	3/4"	6"	2010-3303-740	—————	—————	2018-3300-250
2018-3301-790	2 1/2"	1 1/4"	24"	2018-3302-910	2018-3302-990	2018-3303-060	2018-3302-560
2018-3301-850	3 1/2"	1 1/2"	12"	2018-3302-690	2018-3302-930	2018-3303-000	2018-3302-260
2018-3301-930	2"	1"	10"	2018-3302-880	2018-3302-950	2018-3303-020	2018-3302-710
2018-3301-950	2 1/2"	1 1/4"	16"	2018-3302-920	2018-3302-990	2018-3303-060	2018-3302-560
2018-3301-970	3 1/4"	1 1/2"	12"	2018-3302-690	2018-3302-960	2018-3303-030	2018-3302-250
2018-3302-520	3"	1 1/2"	42"	2011-3300-880	2011-3300-890	2011-3300-900	2011-3300-910
2018-3302-030	2 1/2"	1 1/4"	32"	2018-3303-270	2018-3302-990	2018-3303-060	2018-3302-560
2018-3304-160	3"	1"	4"	—————	2018-3302-980	2018-3303-050	2018-3302-750
2018-3303-520	2"	1"	18"	2018-3303-620	2018-3303-640	2018-3303-650	2018-3303-630
2018-3304-160	3"	1"	4"	2018-3304-160	2018-3302-980	2018-3303-050	2018-3302-750
2018-3304-180	2"	1 1/2"	10"	2018-3304-220	—————	—————	2018-3304-230
2018-7706-400	3"	1 1/2"	6"	2018-3302-870	2018-3302-940	2018-3303-010	2018-3301-870
2018-7709-950	3"	1 1/2"	6"	2018-3302-870	2018-3302-940	2018-3303-010	2018-3301-870
2018-7706-900	3"	1 1/2"	6"	2018-3302-870	2018-3302-940	2018-3303-010	2018-3301-870
2010-3301-910	2 1/2"	1 1/2"	72"	2010-3300-790	2010-3300-800	2010-3300-810	2010-3300-820

2110-3300-200 (1012612)  
 2018-7501-590 (1012613)  
 2110-3301-630 (1012614)  
 Complete Hydraulic  
 Motor

\* 2010-3303-100  
 Seal Kit( Included all Parts Marked with a \*)  
 For Motors Manufactured Before June 2014

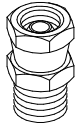
\*\* 2110-3303-100  
 Seal Kit( Included all Parts Marked with a \*\*)  
 For Motors Manufactured Since June 2014



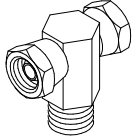
Eaton Motor Parts Shown

Other Motor Pieces

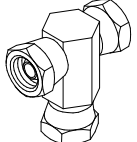
M+S and Parker Motor: Parts No Longer Available.

**Straight Swivel Adapter** 

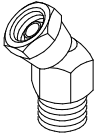
Male	Female	Special	Part no
1/4" NPT	1/4" NPT	—	2010-3400-420
3/8" NPT	3/8" NPT	—	2018-3401-010
1/2" NPT	1/2" NPT	—	2007-3400-060
1/2" NPT	1/2" NPT	Rest. 0.090"	2018-7625-321
3/4" NPT	1/2" NPT	—	2007-3400-080
3/4" NPT	3/4" NPT	—	2007-3400-070
7/16"-20NF	1/4" NPT	—	2018-3400-900
3/4"-16NF	3/8" NPT	—	2018-3400-960
3/4"-16NF	1/2" NPT	—	2013-3401-200
7/8"-14NF	1/2" NPT	—	2007-3401-170

**T-Adapter with 2 Swivels** 


Male	Female	Special	Part no
1/4" NPT	1/4" NPT	—	2010-3400-160
1/2" NPT	1/2" NPT	—	2007-3400-110
1/2" NPT	1/2" NPT	Rest. 0.090"	2018-7624-281

**T-Adapter with 3 Swivels** 

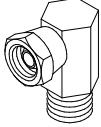
Male	Female	Special	Part no
—	1/4" NPT	—	2018-3400-130

**45° Swivel Elbow** 

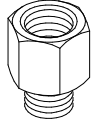
Male	Female	Special	Part no
1/4" NPT	1/4" NPT	—	2010-3400-610
1/4" NPT	1/4" NPT	Washer	2010-3400-180
1/2" NPT	1/2" NPT	—	2007-3400-090
7/16"-20NF	1/4" NPT	—	2018-3400-920
3/4"-16NF	3/8" NPT	—	2018-3400-970

**Straight Adapter - Male/Female** 

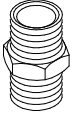
Male	Female	Special	Part no
3/8" NPT	1/4" NPT	—	2010-3400-560
1/2" NPT	1/4" NPT	—	2010-3400-680
3/4" NPT	1/2" NPT	—	2007-3401-590
1" NPT	3/4" NPT	—	2007-3401-320

**90° Swivel Elbow** 

Male	Female	Special	Part no
1/8" NPT	1/8" NPT	—	2003-3401-600
1/4" NPT	1/4" NPT	—	2010-3400-180
1/4" NPT	1/4" NPT	Rest. 0.040"	2018-7718-510
1/4" NPT	1/4" NPT	Rest. 0.090"	2018-7710-071
3/8" NPT	3/8" NPT	—	2018-3400-990
1/2" NPT	1/2" NPT	—	2007-3400-030
1/2" NPT	3/4" NPT	—	2009-3400-340
3/4" NPT	1/2" NPT	—	2009-3400-350
3/4" NPT	3/4" NPT	—	2010-3400-590
3/4"-16NF	1/2" NPT	—	2013-3401-240
7/8"-14NF	1/2" NPT	—	2007-3401-180

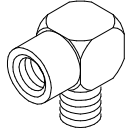
**Straight Adapter - Male/Female** 

Male	Female	Special	Part no
7/8"-14NF	1/2" NPT	—	2007-3401-130
1 1/16"-12NF	3/4" NPT	—	2007-3401-140
1 1/16"-12NF	3/4" NPT	3/4" drilled	2007-3400-190

**Straight Adapter - Male/Male** 

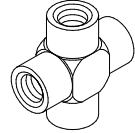
Male	Male	Special	Part no
1/4" NPT	1/4" NPT	—	2007-3401-100
1/2" NPT	1/2" NPT	—	2007-3400-940
3/4" NPT	3/4" NPT	—	2010-3400-640

#### 90° Elbow - Male/Female



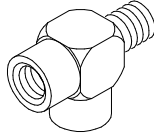
Male	Female	Special	Part no
1/4" NPT	1/4" NPT	—	2010-3400-200

#### Cross Adapter - Female



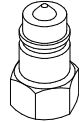
Female	Special	Part no
1/2" NPT	—	2007-3400-100

#### T-Adapter Male/Female/Female



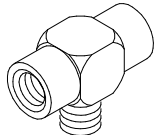
Male	Female	Special	Part no
1/2" NPT	1/2" NPT	—	2007-3400-040
1/2" NPT	1/2" NPT	Rest. 0.090"	2018-7614-891
3/4" NPT	3/4" NPT	—	2007-3400-820

#### Quick Coupler - Male



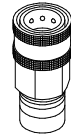
Nominal	Part no
1/4" NPT	2010-3400-270
1/2" NPT	2010-3400-150

#### T-Adapter Female/Male/Female



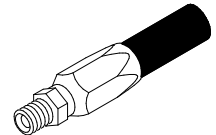
Male	Female	Special	Part no
1/4" NPT	1/4" NPT	—	2010-3400-620
1/2" NPT	1/2" NPT	—	2013-3401-150

#### Quick Coupler - Female



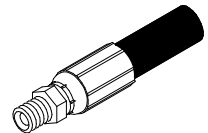
Nominal	Part no
1/4" NPT	2010-3400-280
1/2" NPT	2018-3402-040

#### Reusable Hose Fitting

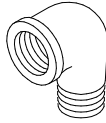


Male	Hose	Part no
1/4" NPT	1/4	2010-3400-390
3/8" NPT	3/8	2018-3401-230
1/2" NPT	1/2	2018-3401-080
3/4" NPT	3/4	2007-3400-410

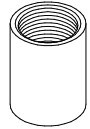
#### Hose Fitting



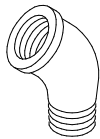
Male	Hose	Part no
1/8" NPT	1/4	2010-3401-270
1/4" NPT	1/4	2010-3401-280
1/4" NPT	3/8	2010-3401-500
3/8" NPT	3/8	2010-3401-290
3/8" NPT	1/2	2018-3401-330
1/2" NPT	3/8	2018-3401-440
1/2" NPT	1/2	2010-3401-300
3/4" NPT	3/4	2010-3401-310
18MM X 1.5	1/4	2018-3400-070

**90° elbow - Male/female**


Male	Female	Finish	Part no
1/8" NPT	1/8" NPT	Galv.	2011-2300-840
1/4" NPT	1/4" NPT	Galv.	2010-2300-550
3/8" NPT	3/8" NPT	Black	2010-2301-100
1/2" NPT	1/2" NPT	Black	2010-2300-200
1/2" NPT	1/2" NPT	Galv.	2010-2301-160
3/4" NPT	3/4" NPT	Black	2007-2300-160
3/4" NPT	3/4" NPT	Galv.	2007-2300-660
1" NPT	1" NPT	Galv.	2017-2301-610
1 1/4" NPT	1 1/4" NPT	Black	2007-2300-560
1 1/2" NPT	1 1/2" NPT	Galv.	2017-2301-620
2" NPT	2" NPT	Galv.	2017-2302-120

**Steel coupling**


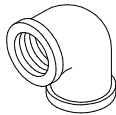
Nominal	Finish	Part no
1/8" NPT	Black	2008-2300-340
1/8" NPT	Galv.	2008-2301-350
1/4" NPT	Black	2010-2300-290
1/4" NPT	Galv.	2010-2301-360
3/8" NPT	Black	2010-2300-400
1/2" NPT	Black	2007-2300-040
1/2" NPT	Galv.	2007-2301-380
3/4" NPT	Black	2008-2301-950
3/4" NPT	Heavy duty	2013-2302-370
3/4" NPT	Galv.	2007-2300-440
1" NPT	Black	2010-2302-210
1 1/4" NPT	Black	2007-2300-380
1 1/4" NPT	Galv.	2012-2300-930
1 1/2" NPT	Black	2019-2300-260
1 1/2" NPT	Galv.	2012-2300-940
2" NPT	Black	2010-2301-020
3" NPT	Black	2015-2300-780
4" NPT	Black	2010-2300-480

**45° elbow - Male/female**


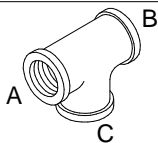
Male	Female	Finish	Part no
1/4" NPT	1/4" NPT	Galv.	2010-2300-450
3/4" NPT	3/4" NPT	Black	2010-2301-070
3/4" NPT	3/4" NPT	Galv.	2007-2302-400

**Short steel coupling**


Nominal	Finish	Part no
3/8" NPT	Heavy duty	2013-2302-390
1/2" NPT	Heavy duty	2007-2301-510
3/4" NPT	Black	2015-2301-820
1" NPT	Black	2010-2302-530
1 1/4" NPT	Black	2007-2300-490
1 1/2" NPT	Black	2007-2302-580
2" NPT	Black	2010-2302-450
3" NPT	Black	2015-2302-440
4" NPT	Black	2010-2302-490

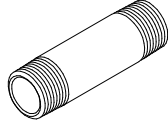
**90° elbow - Female**


Female	Female	Finish	Part no
1/4" NPT	1/4" NPT	Black	2010-2300-320
3/8" NPT	3/8" NPT	Black	2010-2301-090
1/2" NPT	1/2" NPT	Galv.	2007-2300-060
3/4" NPT	3/4" NPT	Galv.	2007-2300-760
1" NPT	1" NPT	Galv.	2017-2301-900

**T-adapter - Female**


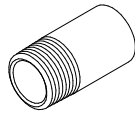
A	B	C	Finish	Part no
1/4" NPT	1/4" NPT	1/4" NPT	Black	2010-2300-250
3/4" NPT	3/4" NPT	3/4" NPT	Galv.	2015-2301-580
1 1/2" NPT	1 1/2" NPT	1 1/2" NPT	Galv.	2010-2300-990

### Long nipple



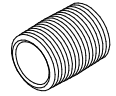
Nominal	Finish	Part no
1/8" NPT x 2"	Black	2018-2302-280
1/8" NPT x 3 1/2"	Black	2018-2302-270
1/4" NPT x 2"	Heavy duty	2010-2300-310
3/8" NPT x 1 1/2"	Galv.	2017-2302-080
3/8" NPT x 3"	Heavy duty	2010-2300-720
3/8" NPT x 4"	Heavy duty	2010-2301-240
1/2" NPT x 3 1/2"	Galv.	2013-2302-360
3/4" NPT x 5"	Black	2015-2301-000
1 1/2" NPT x 6"	Galv.	-
2" NPT x 3"	Black	2015-2301-250

### Short nipple



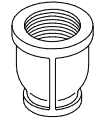
Nominal	Finish	Part no
1" NPT x 3 1/2"	Black	2007-2302-660

### Close nipple



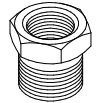
Nominal	Finish	Part no
1/8" NPT	Stainless	2007-2302-290
3/8" NPT	Heavy duty	2010-2301-300
1/2" NPT	Heavy duty	2007-2300-500
3/4" NPT	Black	2015-2301-270
3/4" NPT	Heavy duty	2007-2300-370
1" NPT	Heavy duty	2007-2300-140
1 1/2" NPT	Heavy duty	2010-2300-520

### Reducing coupling



Female	Female	Finish	Part no
1/2" NPT	1/4" NPT	Black	2010-2300-220
3/4" NPT	1/4" NPT	Black	2015-2301-440
3" NPT	2" NPT	Black	2015-2301-430

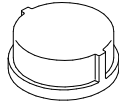
### Hexagon bushing



Male	Female	Finish	Part no
3/8" NPT	1/8" NPT	Galv.	2010-2300-410
3/8" NPT	1/4" NPT	Galv.	2010-3400-560
3/4" NPT	1/8" NPT	Black	2008-2300-640
3/4" NPT	3/8" NPT	Galv.	2010-2301-060
3/4" NPT	1/2" NPT	Black	2015-2301-490
1 1/4" NPT	1" NPT	Galv.	2007-2302-000



**Female Cap**



Nominal	Finish	Part no
1/2" NPT	Galv.	2007-2300-070
1" NPT	Galv.	2007-2301-810
1 1/2" NPT	Black	2010-2300-020

**Square Head Plug**



Nominal	Finish	Part no
1/4" NPT	Black	2010-2300-120
3/8" NPT	Black	2010-2300-970
3/8" NPT	Magnetic	2010-2300-700
1/2" NPT	Galv.	2007-2301-850
3/4" NPT	Galv.	2012-2300-170
1" NPT	Galv.	2017-2301-730
1 1/4" NPT	Galv.	2017-2300-960
2" NPT	Galv.	2010-2301-480

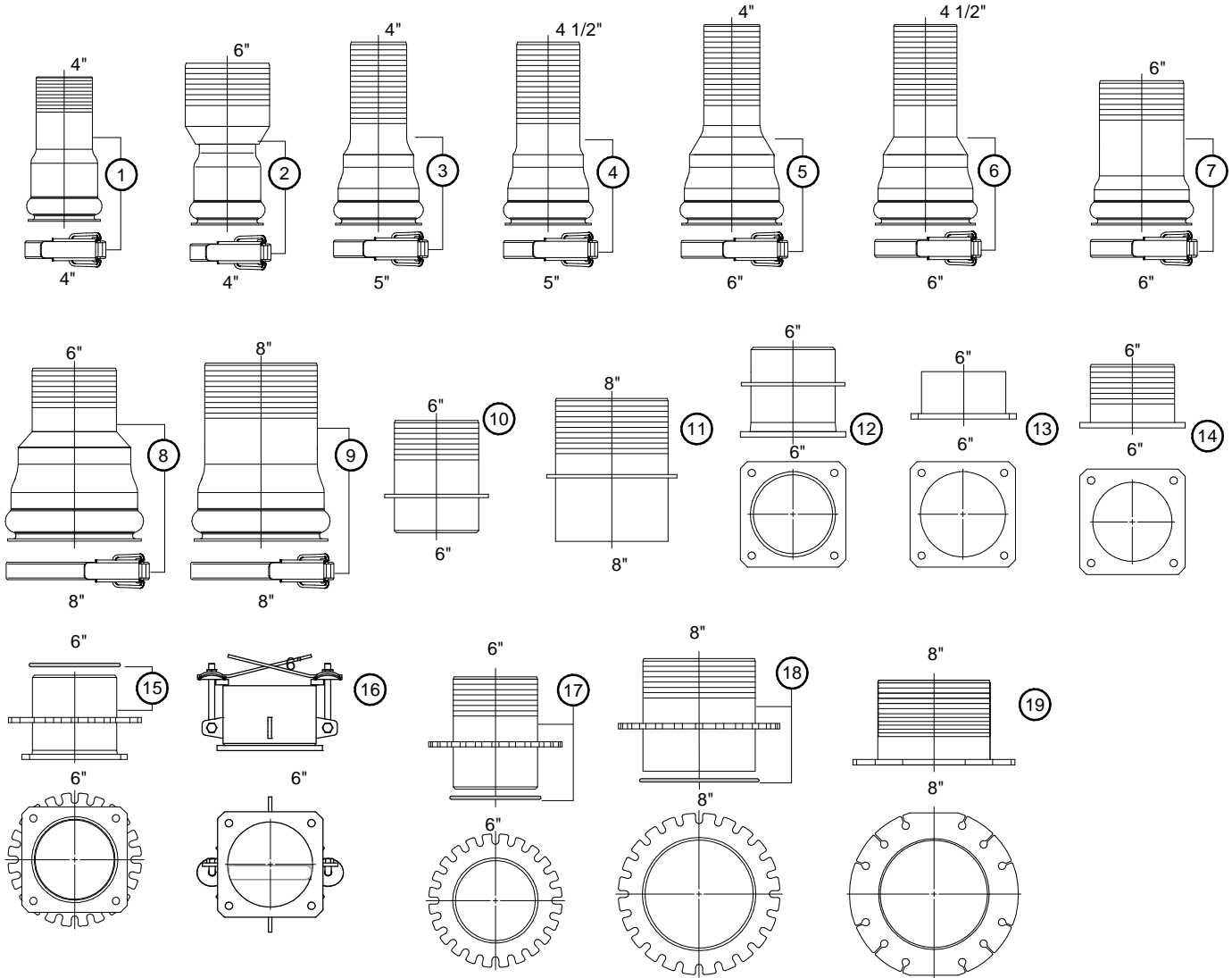
**Hexagon Socket Plug**



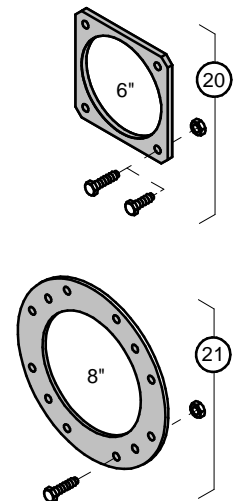
Nominal	Finish	Part no
3/8" NPT	Black	2010-2300-420
3/4" NPT	Black	2010-2301-450

Description	I.D.	O.D.	Length	Part no
Hydraulic hose 2 braids	1/4"	—	Per foot	2236-0040-020
Hydraulic hose 2 braids	3/8"	—	Per foot	2236-0060-020
Hydraulic hose 2 braids	1/2"	—	Per foot	2236-0080-020
Hydraulic hose 2 braids	3/4"	—	Per foot	2236-0120-020
Nylon flexible air hose	—	1/4"	Per foot	2236-0040-060
Nylon flexible air hose	—	3/8"	Per foot	2236-0060-080
Clear hose	5/8"	—	Per foot	2236-0100-070
TIGERFLEX hose	3"	—	Per foot	2236-0480-081
TIGERFLEX hose	4"	—	Per foot	2236-0640-080
TIGERFLEX hose	8"	—	Per foot	2236-0980-080
Drain hose	1 1/2"	—	Per foot	2236-0240-080
High pressure green hose	1 1/2"	—	Per foot	2236-0240-030
Irrigation hose	4 1/2"	—	Per foot	2236-0720-030
Black OROFLEX hose	8"	—	Per foot	2236-0980-070
CONTRACTOR hose	3 1/2"	—	Per foot	2236-0560-030
CONTRACTOR hose	4 1/2"	—	Per foot	2236-0720-030
CONTRACTOR hose	5"	—	Per foot	2236-0800-030
CONTRACTOR hose (grey)	6"	—	Per foot	2236-0960-031
CONTRACTOR hose (grey)	8"	—	Per foot	2236-0980-030
Brown hose	4"	—	Per foot	2236-0640-100
Brown hose	6"	—	Per foot	2236-0960-100
Brown hose	8"	—	Per foot	2236-0980-100
Blue transfer hose	6"	—	Per foot	2236-0960-040
ECONOWATER black hose	6"	—	Per foot	2236-0960-090
ECONOWATER black hose	8"	—	Per foot	2236-0980-090
ECONOWATER black hose	10"	—	Per foot	2236-1000-090

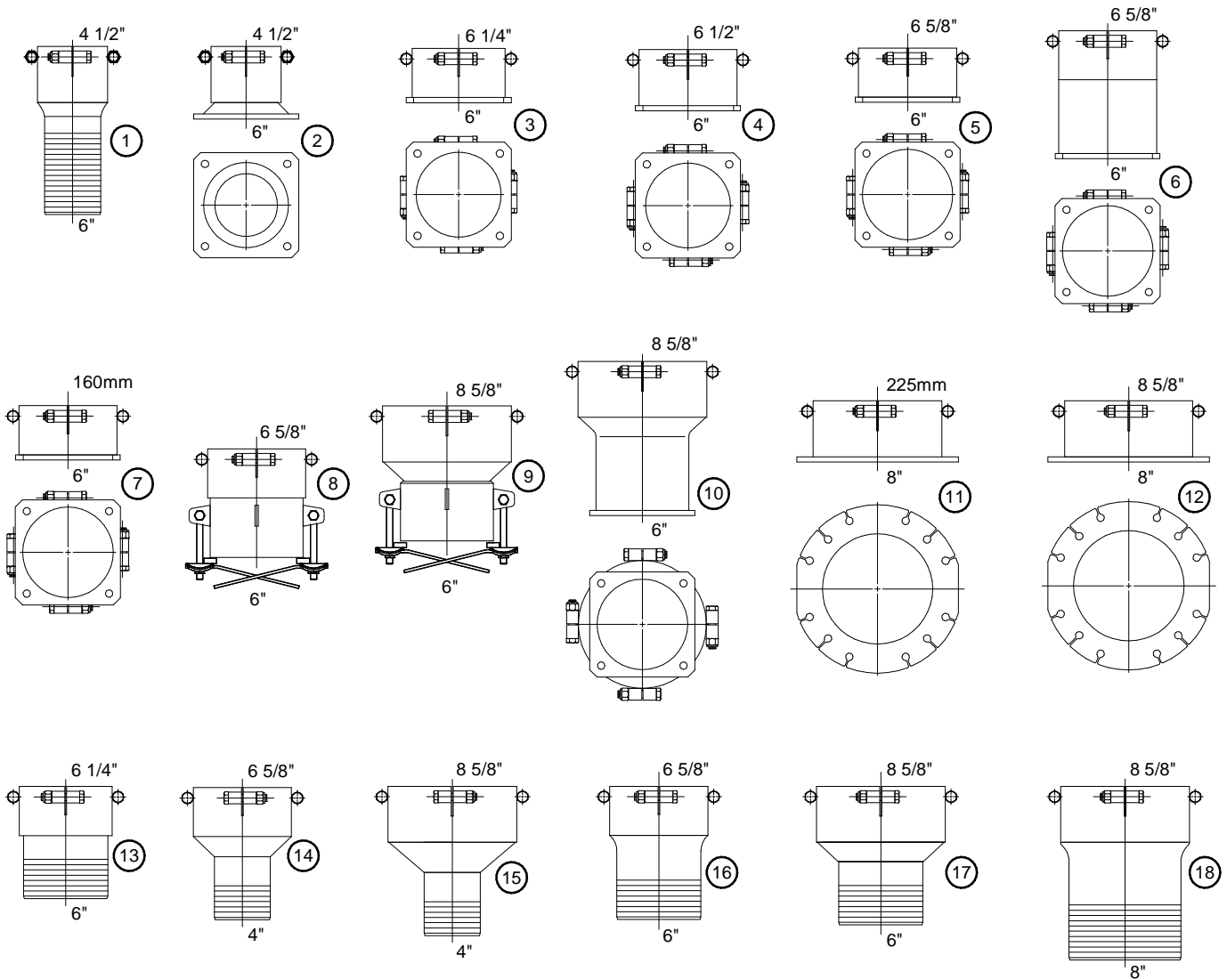
## STRAIGHT ADAPTOR



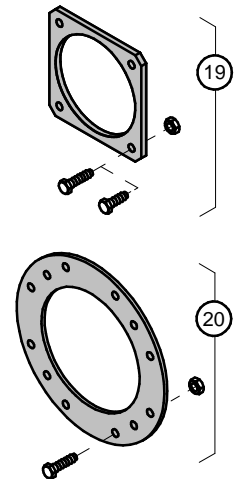
Item	Part no	Description
1	2019-7620-130	Ribbed end for flexible hose 4" @ Female circle lock 4"
2	2019-7620-010	Ribbed end for flexible hose 6" @ Female circle lock 4"
3	2015-7632-140	Ribbed end for flexible hose 4" @ Female circle lock 5" (wade rain)
4	2015-7632-150	Ribbed end for flexible hose 4 1/2" @ Female circle lock 5" (wade rain)
5	2015-7632-160	Ribbed end for flexible hose 4" @ Female circle lock 6" (wade rain)
6	2015-7632-170	Ribbed end for flexible hose 4 1/2" @ Female circle lock 6" (wade rain)
7	2010-7609-730	Ribbed end for flexible hose 6" @ Female circle lock 6"
8	2010-7619-500	Ribbed end for flexible hose 6" @ Female circle lock 8"
9	2010-7619-510	Ribbed end for flexible hose 8" @ Female circle lock 8"
10	2010-7716-570	Ribbed end for flexible hose 6" @ Male circle lock 6"
11	2010-7716-580	Ribbed end for flexible hose 8" @ Male circle lock 8"
12	2010-7711-300	Male circle lock 6" @ Flange 6"
13	2019-7713-710	6" straight @ Flange 6"
14	2011-7617-130	Ribbed end for flexible hose 6" @ Flange 6"
15	2014-7607-500	Male notched disc 6" @ Flange 6"
16	2014-7607-520	Female notched disc 6" @ Flange 6"
17	2010-7607-340	Ribbed end for flexible hose 6" @ Male notched disc 6"
18	2010-7619-810	Ribbed end for flexible hose 8" @ Male notched disc 8"
19	2010-7606-120	8" hose @ Flange 8"
20	2010-7500-270	Rubber gasket kit for 6" square flange
21	2010-7500-280	Rubber gasket kit for 8" round flange



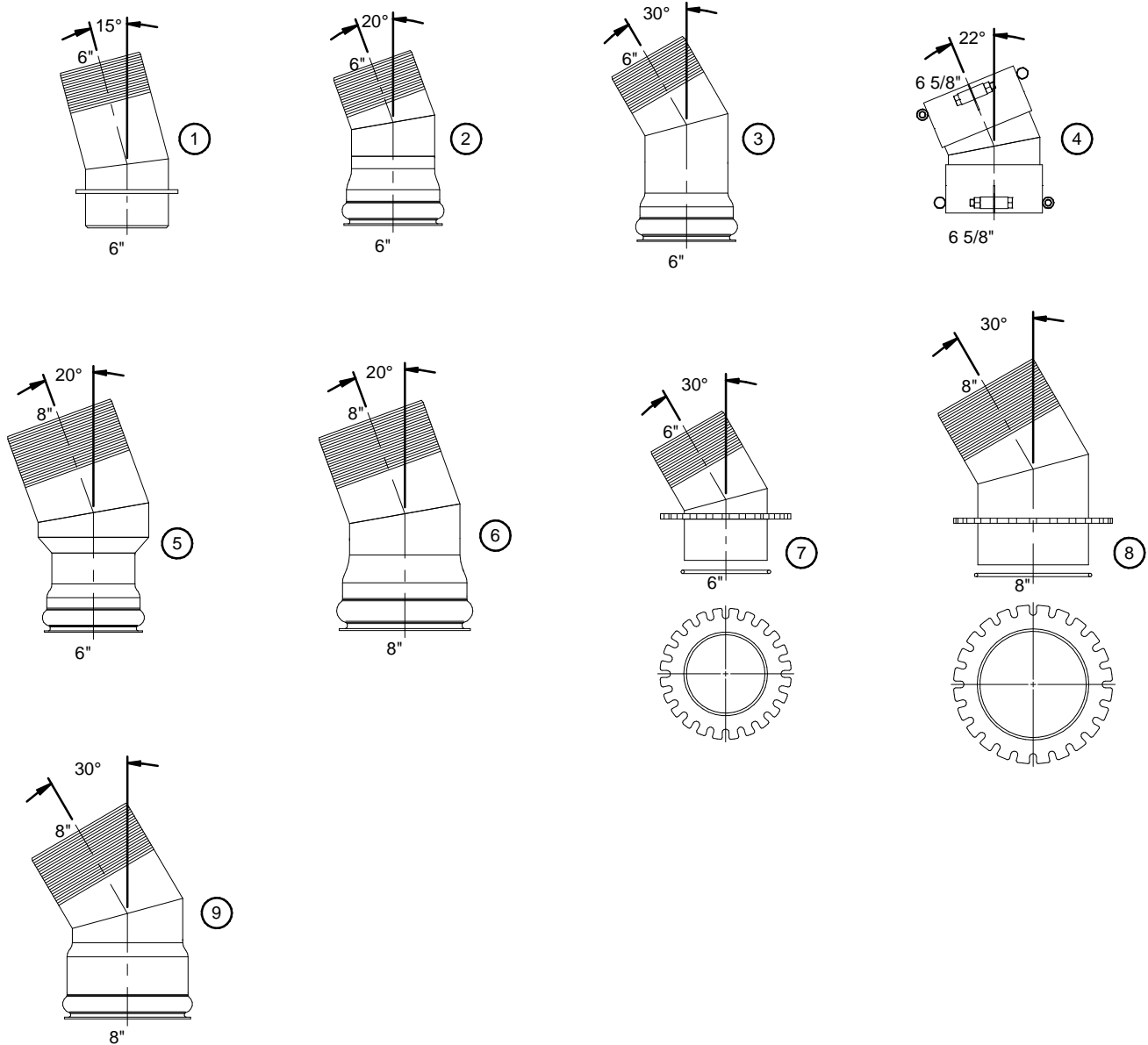
**Note:**  
 Rubber gaskets are now sold separately.  
 Order the appropriate rubber gasket when ordering an adaptor.



Item	Part no	Description
1	2008-7733-460	4 1/2" PVC @ Ribbed end for flexible hose 4"
2	2008-7733-450	4 1/2" PVC @ Flange 6"
3	2011-7608-250	6 1/4" PVC @ Flange 6"
4	2011-7612-040	6 1/2" PVC @ Flange 6"
5	2011-7608-260	6 5/8" PVC @ Flange 6"
6	2011-7723-480	6 5/8" PVC @ Flange 6" (long)
7	2011-7631-140	160mm @ Flange 6"
8	2019-7505-850	6 5/8" PVC @ Female notched disc
9	2019-7505-890	8 5/8" PVC @ Female notched disc
10	2011-7723-490	8 5/8" PVC @ Flange 6"
11	2011-7631-570	225mm @ Flange 8"
12	2011-7605-880	8 5/8" PVC @ Flange 8"
13	2010-7605-710	6 1/4" PVC @ Ribbed end for flexible hose 6"
14	2019-7620-860	6 5/8" PVC @ Ribbed end for flexible hose 4"
15	2019-7620-870	8 5/8" PVC @ Ribbed end for flexible hose 4"
16	2010-7619-470	6 5/8" PVC @ Ribbed end for flexible hose 6"
17	2019-7620-850	8 5/8" PVC @ Ribbed end for flexible hose 6"
18	2019-7620-700	8 5/8" PVC @ Ribbed end for flexible hose 8"
19	2010-7500-270	Rubber gasket kit for 6" square flange
20	2010-7500-280	Rubber gasket kit for 8" round flange

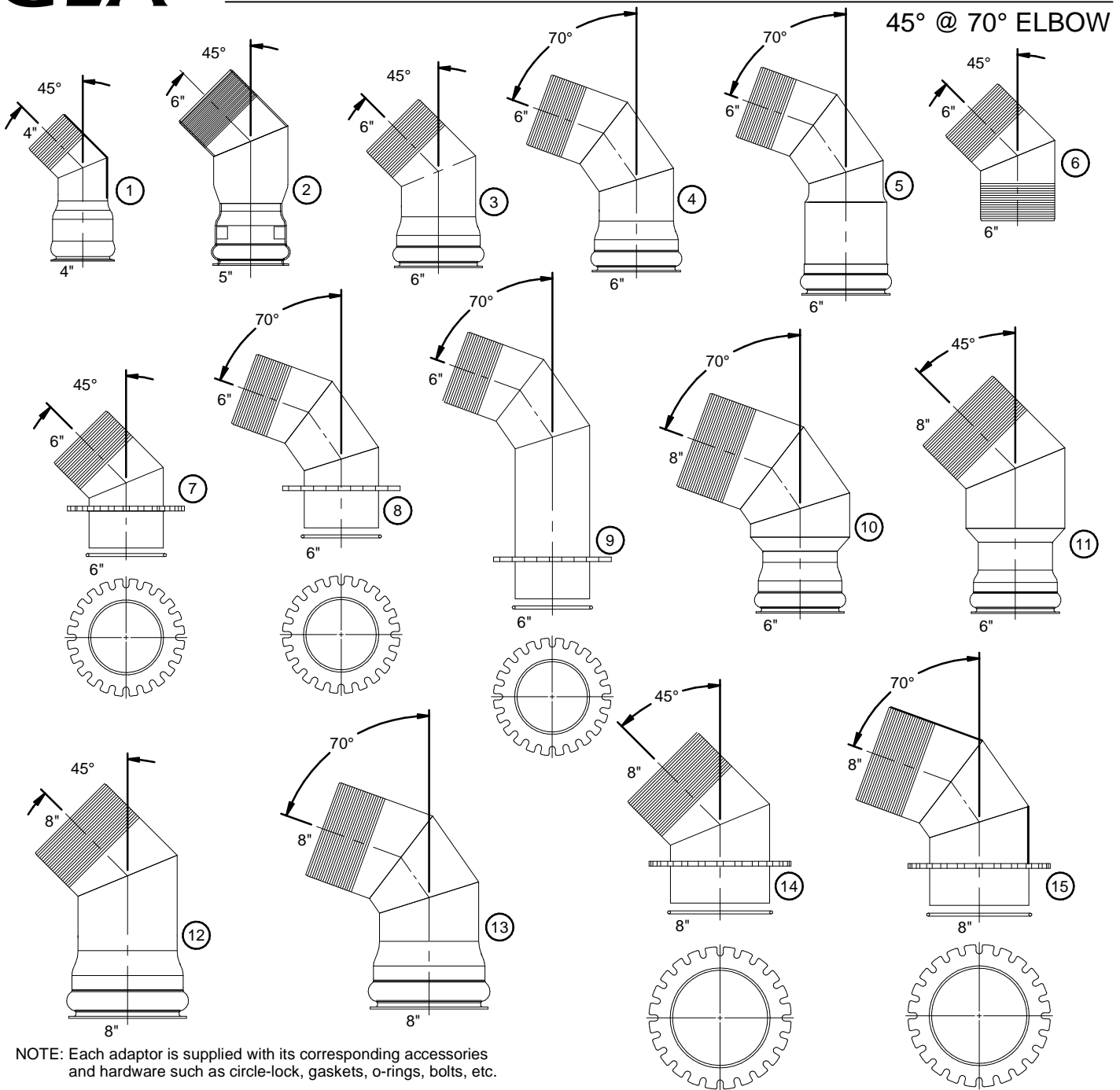


**Note:**  
 Rubber gaskets are now sold separately.  
 Order the appropriate rubber gasket when  
 ordering an adaptor.



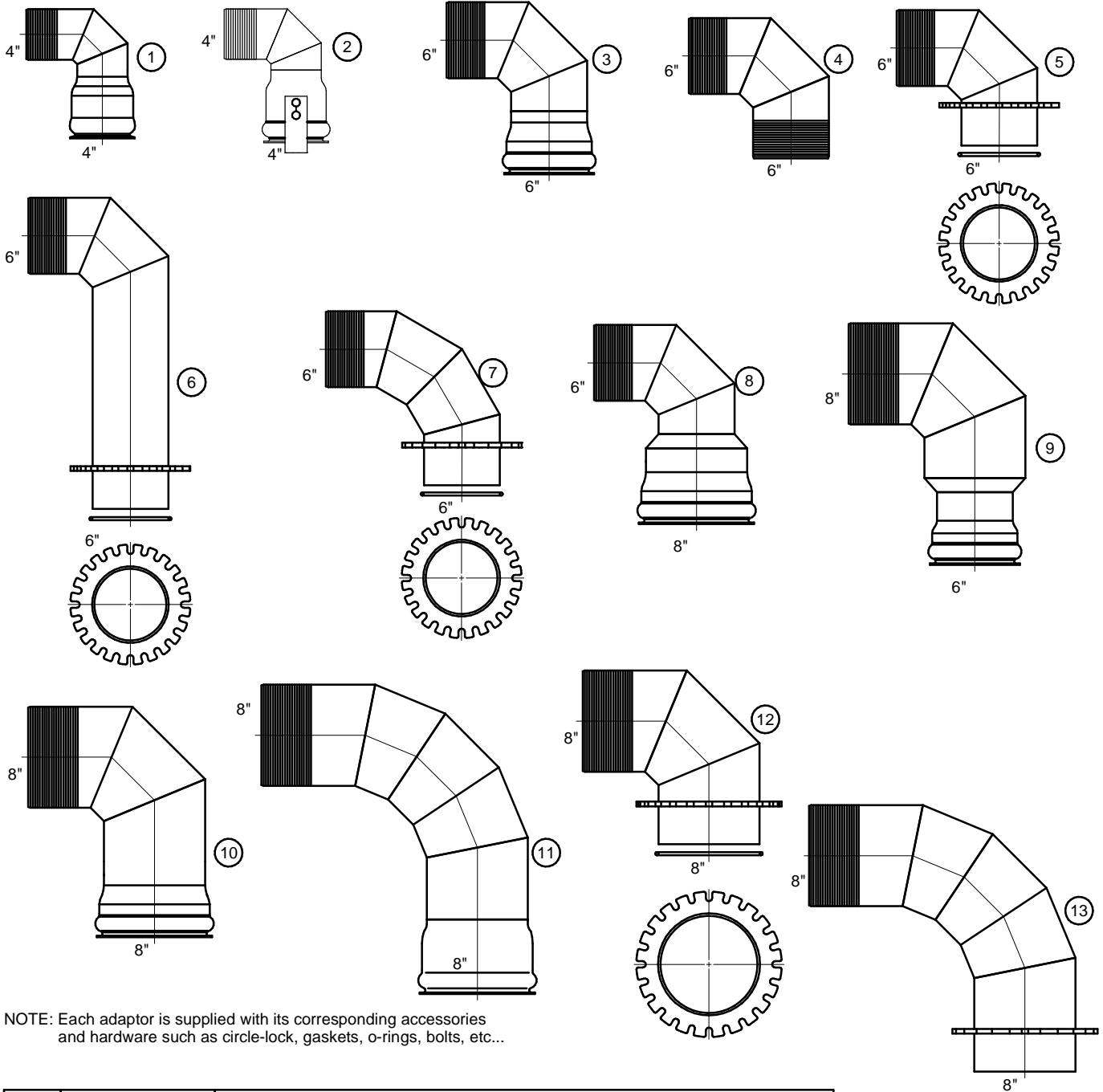
NOTE: Each adaptor is supplied with its corresponding accessories and hardware such as circle-lock, gaskets, o-rings, bolts, etc...

Item	Part no	Description
1	2010-7615-700	15° Elbow ribbed end for flexible hose 6" @ Male circle lock 6"
2	2010-7622-410	20° Elbow ribbed end for flexible hose 6" @ Female circle lock 6"
3	2014-7614-170	30° Elbow ribbed end for flexible hose 6" @ Female circle lock 6"
4	2010-7622-420	22.5° Elbow 6 5/8" PVC @ 6 5/8" PVC
5	2010-7625-290	20° Elbow ribbed end for flexible hose 8" @ Female circle lock 6"
6	2010-7622-220	20° Elbow ribbed end for flexible hose 8" @ Female circle lock 8"
7	2015-7602-130	30° Elbow ribbed end for flexible hose 6" @ Male notched disc 6"
8	2010-7619-820	30° Elbow ribbed end for flexible hose 8" @ Male notched disc 8"
9	2010-7632-180	30° Elbow ribbed end for flexible hose 8" @ Female circle lock 8"



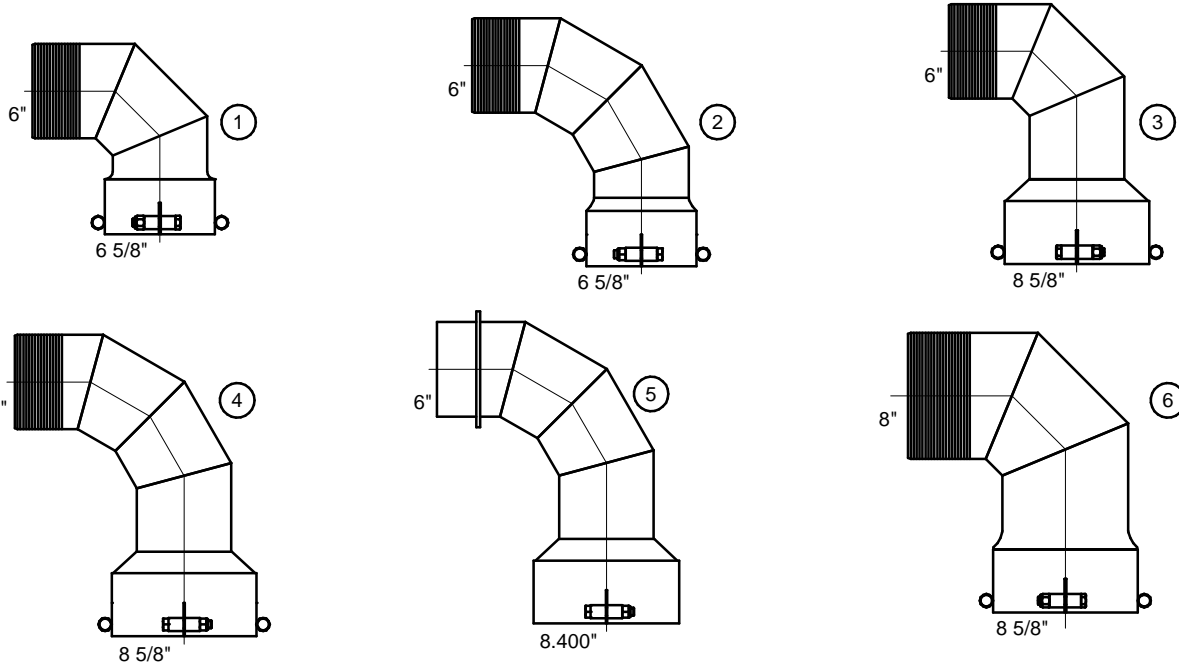
NOTE: Each adaptor is supplied with its corresponding accessories and hardware such as circle-lock, gaskets, o-rings, bolts, etc.

Item	Part no	Description
1	2008-7623-150	45° Elbow ribbed end for flexible hose 4" @ Female circle lock 4"
2	2018-7720-020	45° Elbow ribbed end for flexible hose 6" @ Female circle lock 5"
3	2014-7609-810	45° Elbow ribbed end for flexible hose 6" @ Female circle lock 6"
4	2010-7612-090	70° Elbow ribbed end for flexible hose 6" @ Female circle lock 6"
5	2010-7622-980	70° Elbow ribbed end for flexible hose 6" @ Female circle lock 6"
6	2019-7717-320	45° Elbow ribbed end for flexible hose 6" @ ribbed end for flexible hose 6"
7	2010-7601-130	45° Elbow ribbed end for flexible hose 6" @ Male notched disc 6"
8	2010-7605-560	70° Elbow ribbed end for flexible hose 6" @ Male notched disc 6"
9	2010-7605-550	70° Elbow ribbed end for flexible hose 6" @ Male notched disc 6"
10	2010-7619-680	70° Elbow ribbed end for flexible hose 8" @ Female circle lock 6"
11	2010-7626-500	45° Elbow ribbed end for flexible hose 8" @ Female circle lock 6"
12	2010-7619-670	45° Elbow ribbed end for flexible hose 8" @ Female circle lock 8"
13	2010-7618-440	70° Elbow ribbed end for flexible hose 8" @ Female circle lock 8"
14	2010-7619-830	45° Elbow ribbed end for flexible hose 8" @ Male notched disc 8"
15	2010-7619-840	70° Elbow ribbed end for flexible hose 8" @ Male notched disc 8"



NOTE: Each adaptor is supplied with its corresponding accessories and hardware such as circle-lock, gaskets, o-rings, bolts, etc...

Item	Part no	Description
1	2008-7623-140	90° Elbow ribbed end for flexible hose 4" @ Female circle lock disc 4"
2	2008-7613-610	90° Elbow ribbed end for flexible hose 4" @ Female circle lock disc 4"
3	2010-7612-100	90° Elbow ribbed end for flexible hose 6" @ Female circle lock disc 6"
4	2019-7715-800	90° Elbow ribbed end for flexible hose 6" @ ribbed end for flexible hose 6"
5	2010-7604-180	90° Elbow ribbed end for flexible hose 6" @ Male notched disc 6"
6	2010-7604-150	90° Elbow ribbed end for flexible hose 6" @ Male notched disc 6" (long)
7	2019-7730-690	90° Elbow ribbed end for flexible hose 6" @ Male notched disc 6"
8	2010-7618-470	90° Elbow ribbed end for flexible hose 6" @ Female circle lock disc 8"
9	2010-7626-510	90° Elbow ribbed end for flexible hose 8" @ Female circle lock disc 6"
10	2010-7618-480	90° Elbow ribbed end for flexible hose 8" @ Female circle lock disc 8"
11	2019-7620-990	90° Elbow ribbed end for flexible hose 8" @ Female circle lock disc 8" (High velocity)
12	2010-7619-850	90° Elbow ribbed end for flexible hose 8" @ Male notched disc 8"
13	2019-7627-020	90° Elbow ribbed end for flexible hose 8" @ Male notched disc 8" (High velocity)



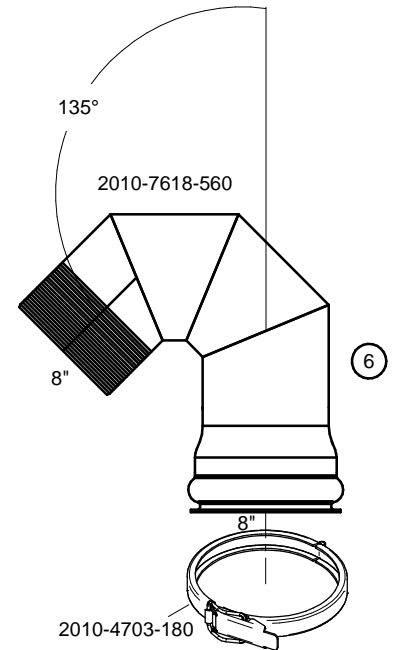
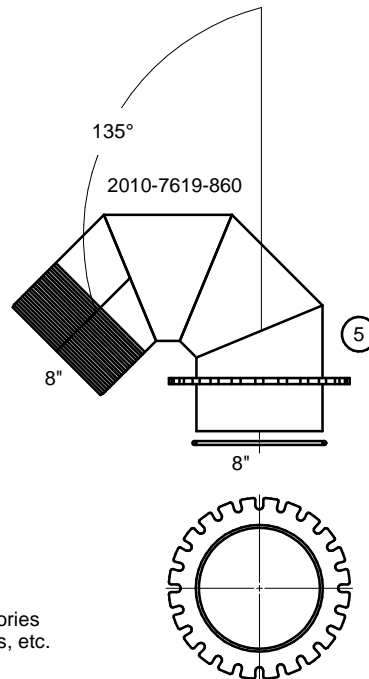
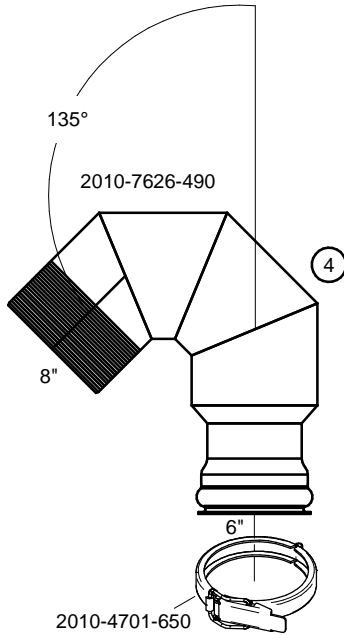
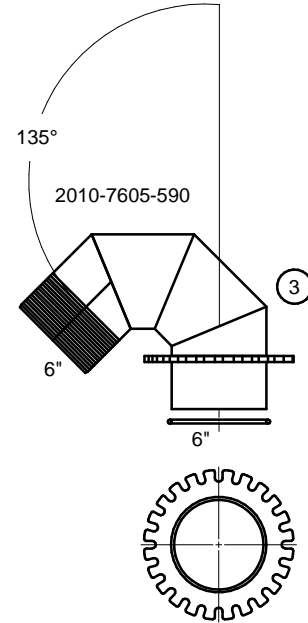
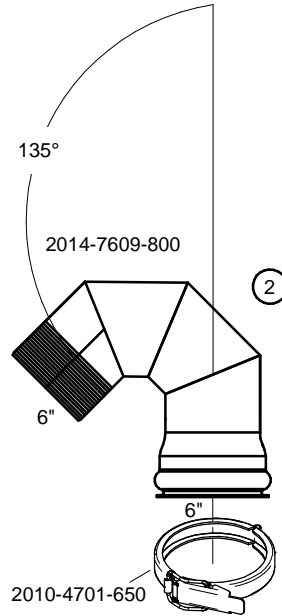
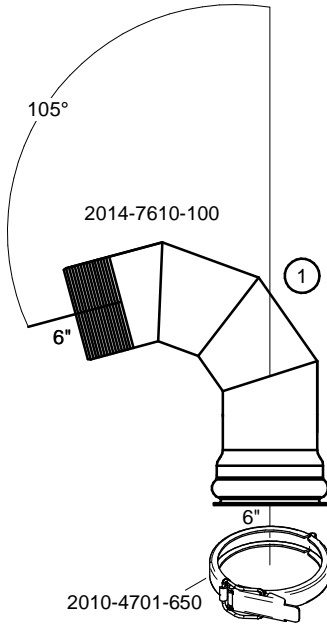
NOTE: Each adaptor is supplied with its corresponding accessories and hardware such as circle-lock, gaskets, o-rings, bolts, etc...

Item	Part no	Description
1	2019-7620-640	90° Elbow ribbed end for flexible hose 6" @ 6 5/8" PVC
2	2019-7730-720	90° Elbow ribbed end for flexible hose 6" @ 6 5/8" PVC (High velocity)
3	2019-7621-550	90° Elbow ribbed end for flexible hose 6" @ 8 5/8" PVC
4	2019-7730-700	90° Elbow ribbed end for flexible hose 6" @ 8 5/8" PVC (High velocity)
5	2019-7730-710	90° Elbow male circle lock 6" @ 8.400" PVC (High velocity)
6	2019-7620-520	90° Elbow ribbed end for flexible hose 8" @ 8 5/8" PVC



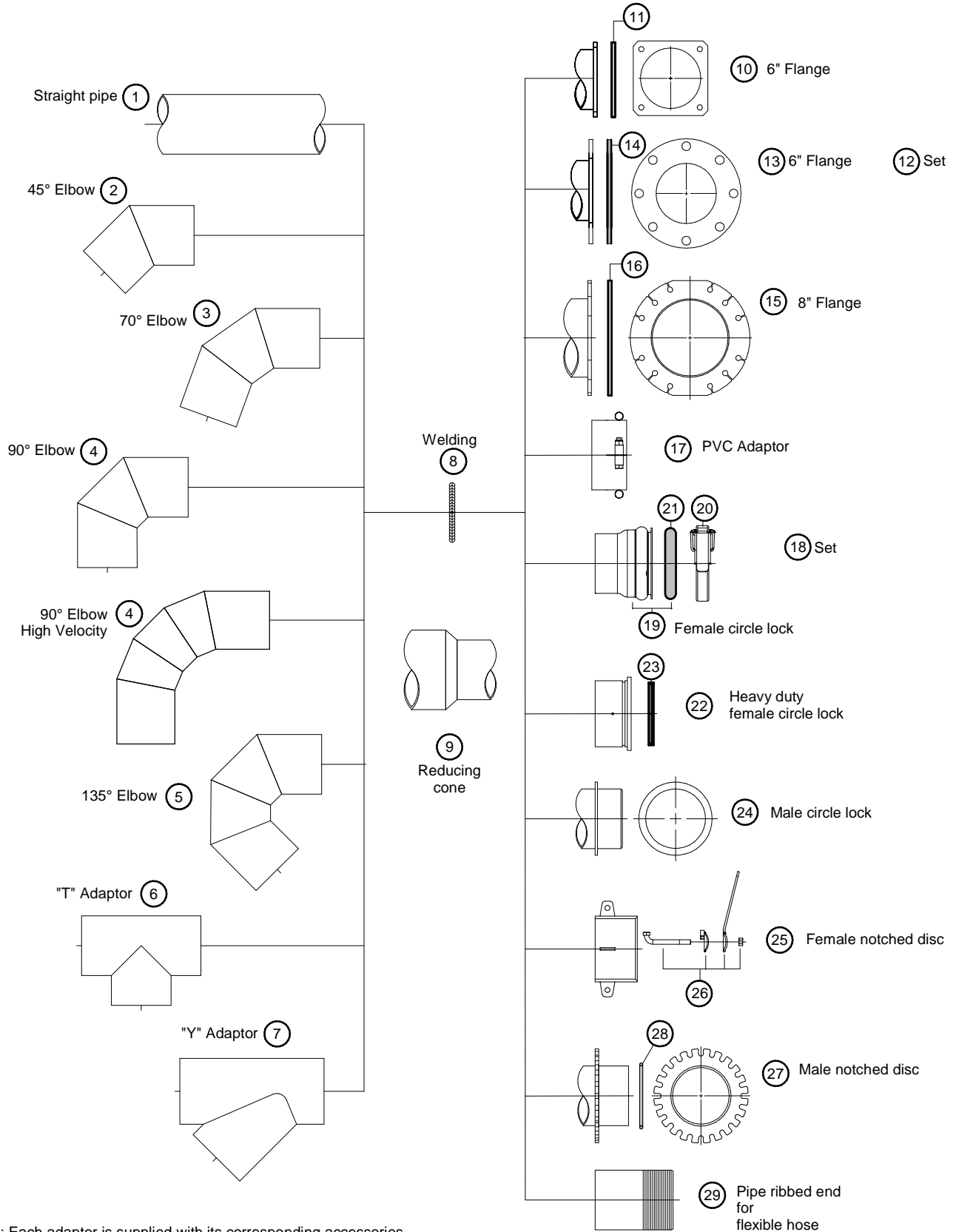
Item	Part no	Description
1	2008-7723-520	90° Elbow for hose 3 1/2" @ hose 3 1/2"
2	2008-7723-530	90° Elbow for hose 4 1/2" @ hose 4 1/2"





NOTE: Each adaptor is supplied with its corresponding accessories and hardware such as circle lock, gaskets, o-rings, bolts, etc.

Item	Part no	Description
1	2014-7632-190	105° Elbow ribbed end for flexible hose 6" @ Female circle lock 6"
2	2014-7609-800	135° Elbow ribbed end for flexible hose 6" @ Female circle lock 6"
3	2010-7605-590	135° Elbow ribbed end for flexible hose 6" @ Male notched disc 6"
4	2010-7626-490	135° Elbow ribbed end for flexible hose 8" @ Female circle lock 6"
5	2010-7619-860	135° Elbow ribbed end for flexible hose 8" @ Male notched disc 8"
6	2010-7618-560	135° Elbow ribbed end for flexible hose 8" @ Female circle lock 8"



NOTE: Each adaptor is supplied with its corresponding accessories and hardware such as circle-lock, gaskets, o-rings, bolts, etc...

Item	Part no	Description	Item	Part no	Description		
1	2010-1600-030	Steel pipe - 6" OD x 0.125" x 6'-0"	17	2008-7632-360	4 1/2" PVC		
	2010-1600-020	Steel pipe - 6" OD x 0.125" x 12'-0"		2011-7607-150	6 1/4" PVC		
	2010-1600-010	Steel pipe - 6" OD x 0.125" x 24'-8"		2011-7631-150	6.300" PVC (160mm)		
	2010-1600-120	Steel pipe - 6" OD x 0.188" x 6'-0"		2011-7612-470	6 1/2" PVC (165mm)		
	2010-1600-130	Steel pipe - 6" OD x 0.188" x 12'-0"		2011-7607-860	6 5/8" PVC		
	2010-1600-140	Steel pipe - 6" OD x 0.188" x 24'-0"		2011-7612-840	8.400" PVC		
	2010-1600-210	Steel pipe - 8" OD x 0.120" x 6'-0"		2011-7629-390	8 1/2" PVC (216mm)		
	2010-1600-230	Steel pipe - 8" OD x 0.120" x 12'-0"		2011-7613-360	8 5/8" PVC		
	2010-1600-240	Steel pipe - 8" OD x 0.120" x 22'-0"		2011-7631-220	8.858" PVC (225mm)		
	2010-1600-260	Steel pipe - 8" OD x 0.188" x 6'-0"		18	2015-7500-520	Female and lock set in circle 4"	
	2010-1600-360	Steel pipe - 8" OD x 0.188" x 12'-0"			2015-7500-550	Female and lock set in circle 5"	
	2010-1600-450	Steel pipe - 8" OD x 0.188" x 24'-0"			2010-7500-160	Female and lock set in circle 6"	
	2010-1600-450	Steel pipe - 8" OD x 0.188" x 24'-0"			2010-7500-170	Female and lock set in circle 8"	
	2018-1602-740	Steel pipe per foot - 5" OD x 0.120"		19	2015-4701-340	Female circle lock 4"	
	2018-1942-570	Steel pipe per foot - 5" OD x 0.188"			2015-4701-820	Female circle lock 5"	
	2010-1601-010	Steel pipe per foot - 6" OD x 0.125"			2010-4701-640	Female circle lock 6"	
	2010-1601-020	Steel pipe per foot - 6" OD x 0.188"			2010-4703-170	Female circle lock 8"	
	2010-1950-310	Steel pipe per foot - 6 5/8" OD x 0.280"		20	2015-4701-830	Circle lock 4"	
2010-1602-360	Steel pipe per foot - 8" OD x 0.120"	2015-4702-270	Circle lock 5"				
2010-1963-240	Steel pipe per foot - 8" OD x 0.188"	2010-4701-650	Circle lock 6"				
2010-1951-390	Steel pipe per foot - 8 5/8" OD x 0.277"	2010-4703-180	Circle lock 8"				
2	2010-7730-290	45° Elbow - 6" OD x 0.188"	21	2010-3901-690	Rubber gasket 4" Steel Female		
	2010-7713-960	45° Elbow - 8" OD x 0.125"		2010-3901-730	Rubber gasket 5" Steel Female		
3	2010-7730-300	70° Elbow - 6" OD x 0.188"		2010-3901-160	Rubber gasket 6" Steel Female		
	2010-7713-970	70° Elbow - 8" OD x 0.125"		2010-3903-640	Rubber gasket 8" Steel Female		
4	2010-7730-310	90° Elbow - 6" OD x 0.188"	22	2010-7505-960	Heavy duty female circle lock 6"		
	2010-7713-980	90° Elbow - 8" OD x 0.125"		23	2010-3902-420	Rubber gasket 6"	
	2010-7708-090	90° Elbow - 8" OD x 0.125"			24	2015-1506-610	4" Circle lock ring
	2019-7714-260	90° Elbow High Velocity - 8" OD x 0.188"				2015-1507-630	5" Circle lock ring
2018-7705-540	90° Elbow High Velocity - 5" OD x 0.125"	2010-1506-250	6" Circle lock ring				
5	2010-7730-320	135° Elbow - 6" OD x 0.188"	2010-1510-900	Male circle lock 8"			
	2010-7713-990	135° Elbow - 8" OD x 0.125"	2010-2100-160	6" Circle lock ring - Aluminium			
6	2014-7609-720	"T" steel pipe - 6" OD x 0.188"	2010-2100-820	8" Circle lock ring - Aluminium			
	2010-7714-000	"T" steel pipe - 8" OD x 0.188"	25	2010-7505-950	Female notched disc 6"		
7	2010-7733-080	"Y" steel pipe - 6" OD x 0.188"		2010-7505-970	Female notched disc 8"		
	2010-7733-090	"Y" steel pipe - 8" OD x 0.188"	26	2010-7500-390	Quick clamp for notched disc		
8	2010-7732-930	Welding on pipe 4"		27	2010-7505-980	Male notched disc 6"	
	2010-7732-940	Welding on pipe 5"	2010-7505-990		Male notched disc 8"		
	2010-7705-540	Welding on pipe 6"	28	2010-3900-070	O-Ring 6"		
	2010-7714-020	Welding on pipe 8"		2007-3903-440	O-Ring 8"		
9	2010-1500-900	Reducing cone 6" @ 4"	29	2008-1935-300	Ribbed end for flexible hose - 4" OD x 2 1/4"		
	2015-1511-070	Reducing cone 6" @ 4 1/2"		2015-1935-400	Ribbed end for flexible hose - 4" OD x 8"		
	2019-1503-340	Reducing cone 6 1/2" @ 4"		2018-1942-600	Ribbed end for flexible hose - 5" OD x 4 1/2"		
	2010-1502-760	Reducing cone 8" @ 6"		2010-1600-300	Ribbed end for flexible hose - 6" OD x 4 1/2"		
	2019-1503-350	Reducing cone 8 1/2" @ 4"		2010-1600-740	Ribbed end for flexible hose - 6" OD x 8"		
	2010-1510-920	Reducing cone 8 1/2" @ 6"		2010-1600-740	Ribbed end for flexible hose - 6" OD x 10"		
10	2010-7505-930	Flange 6"	2010-1951-680	Ribbed end for flexible hose - 8" OD x 6"			
11	2010-7500-270	Rubber gasket kit for 6" square flange	2010-1951-530	Ribbed end for flexible hose - 8" OD x 8"			
12	2011-7500-510	Set of high pressure plate 6"	2010-1951-450	Ribbed end for flexible hose - 8" OD x 10"			
13	2011-1565-070	2011-1565-070					
14	2011-3901-310	Gasket 6"					
15	2010-7505-940	Flange 8"					
16	2010-7500-280	Rubber gasket kit for 8" round flange					