

Table of contents.....01 -02

**Scrapers**

16° scraper with steel blades.....03  
16° scraper with urethane blades.....04  
16° scraper with steel blades and adjustable end..... 05  
16° scraper with urethane blades and adjustable end..... 06  
16° scraper - draw bar for alley without guiding groove.....07  
16° scraper - draw bar for alley with guiding groove.....08  
16° scraper - draw bar for self-disengaging system..... 09

Straight scraper with steel blades.....10  
Straight scraper with urethane blades..... 11  
Straight scraper - draw bar for alley with guiding groove.....12  
Straight scraper - draw bar for self-disengaging system.....13

"V" shape scraper with steel blades.....14  
"V" shape scraper with urethane blades.....15  
"V" shape scraper - draw bar for alley without guiding groove.....16  
"V" shape scraper - draw bar for alley with guiding groove.....17  
"V" shape scraper - draw bar for self-disengaging system.....18

Bi-directional "V" shape scraper with steel blades.....19  
Bi-directional "V" shape scraper with urethane blades.....20  
Bi-directional "V" shape scraper - draw bar.....21

Tensioner, draw bar end and flat bar between scrapers.....22  
Tensioner and draw bar end - before May 2007..... 23

**Corner wheels**

Corner box.....24  
Corner wheel - 7/8" chain.....25  
Corner wheel - pintle chain.....26  
Corner box and wheel with two tapered roller bearings - 13 mm chain.....27  
Corner box and wheel with sealed ball bearing - 13 mm chain.....28

**Drive unit**

H-86 reversible drive unit..... 29

H-86 reversible drive unit - sprocket and pulley..... 30

H-86 reversible drive unit - tensioner..... 31

H-86 reversible drive unit - fourth reduction..... 32

H-86 reversible drive unit - protective hood.....33

H-86 drive unit support.....34

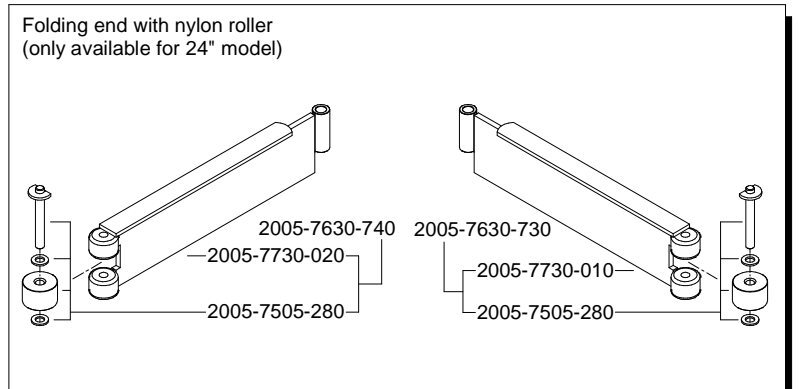
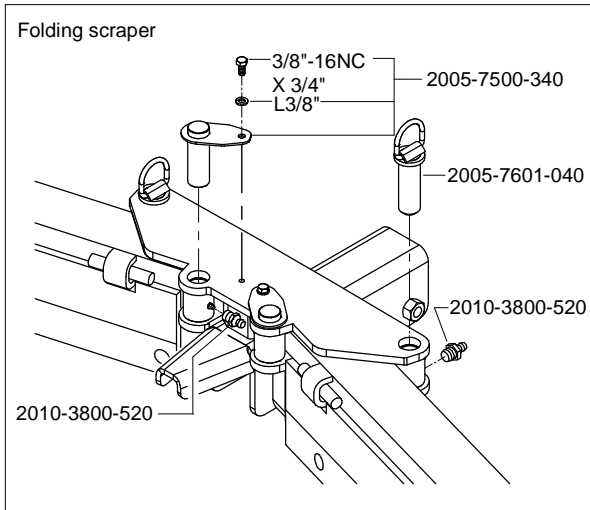
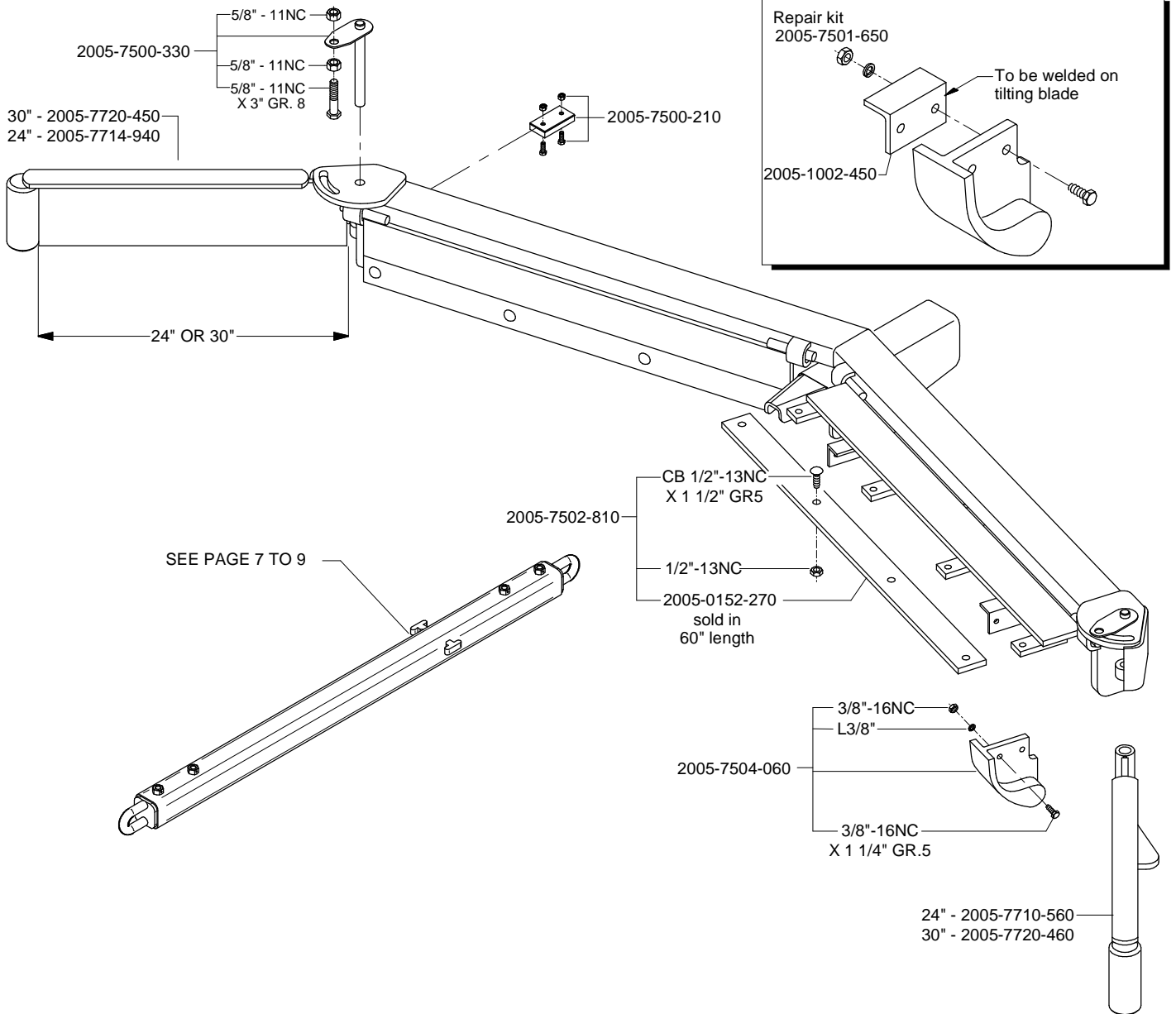
H-86 reversible drive unit - clutch and shafts before January 2017..... 35

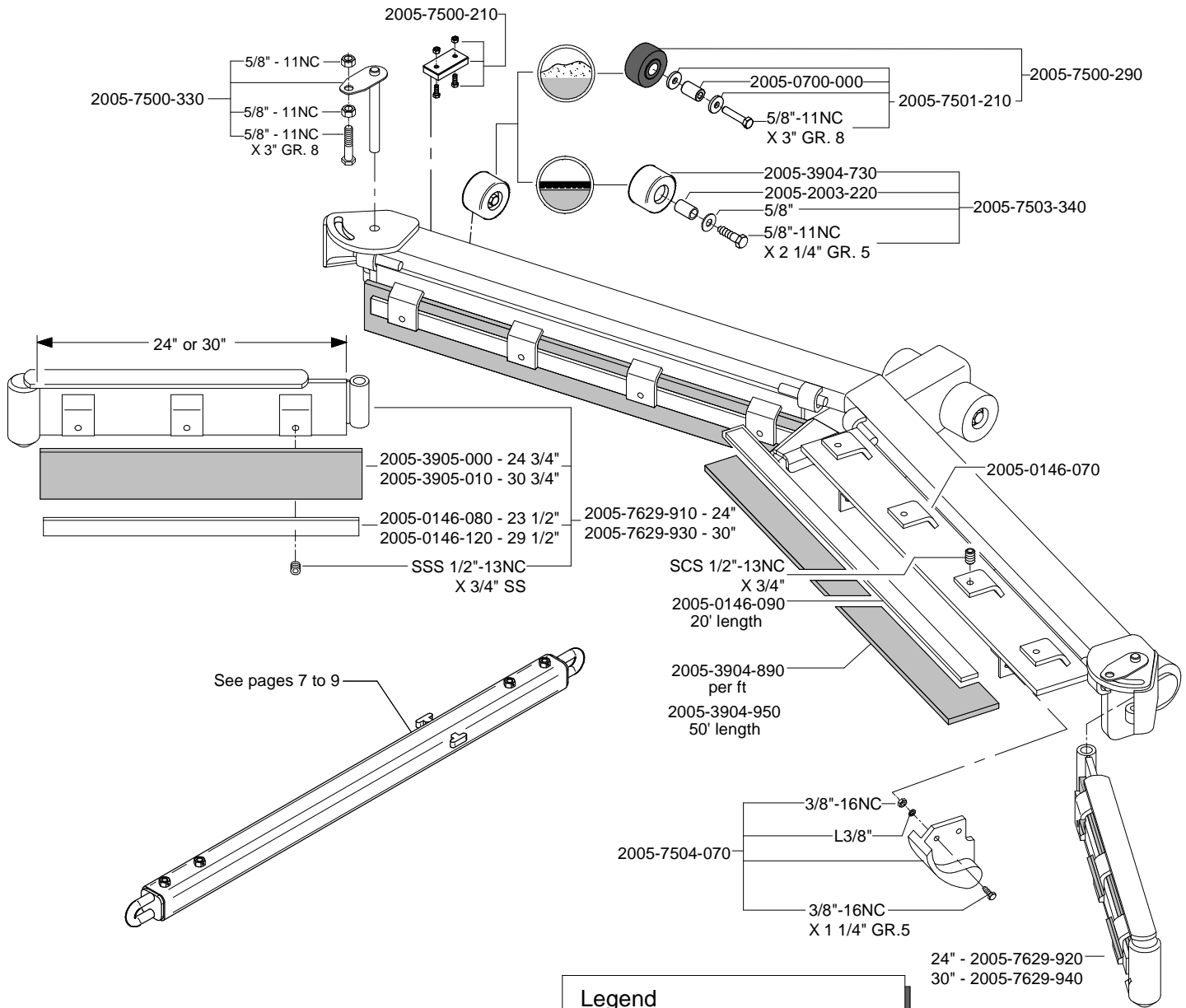
H-86 reversible drive unit - stroke limit switch before January 2017..... 36

H-86 reversible drive unit - auxiliary start signal switch before January 2017..... 37

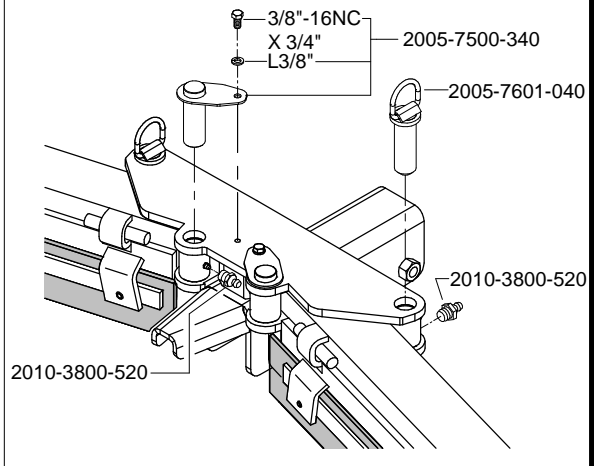
Vertical drive unit 13 mm chain..... 38

Hardware Identification	
Type	Designation
Hexagonal bolt	-
Carriage bolt	CB
Square head bolt	SB
Socket head cap screw	SCS
Socket head set screw	SSS
Flat head cap screw	FCS
Hexagon nut	-
Hexagon nylon lock nut	N
Hexagon oval lock nut	OVL
Hexagon tri-lock nut	TRI
Castle nut	CSL
Flange nut	FLN
Wing nut	WNG
Flat washer	-
Lock washer	L
SAE washer	SAE
Large ext. dia. washer	LD
Small ext. dia. washer	SD
Stainless steel bolts parts	SS







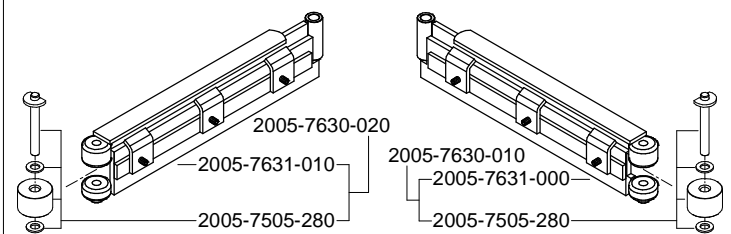
**Folding scraper**

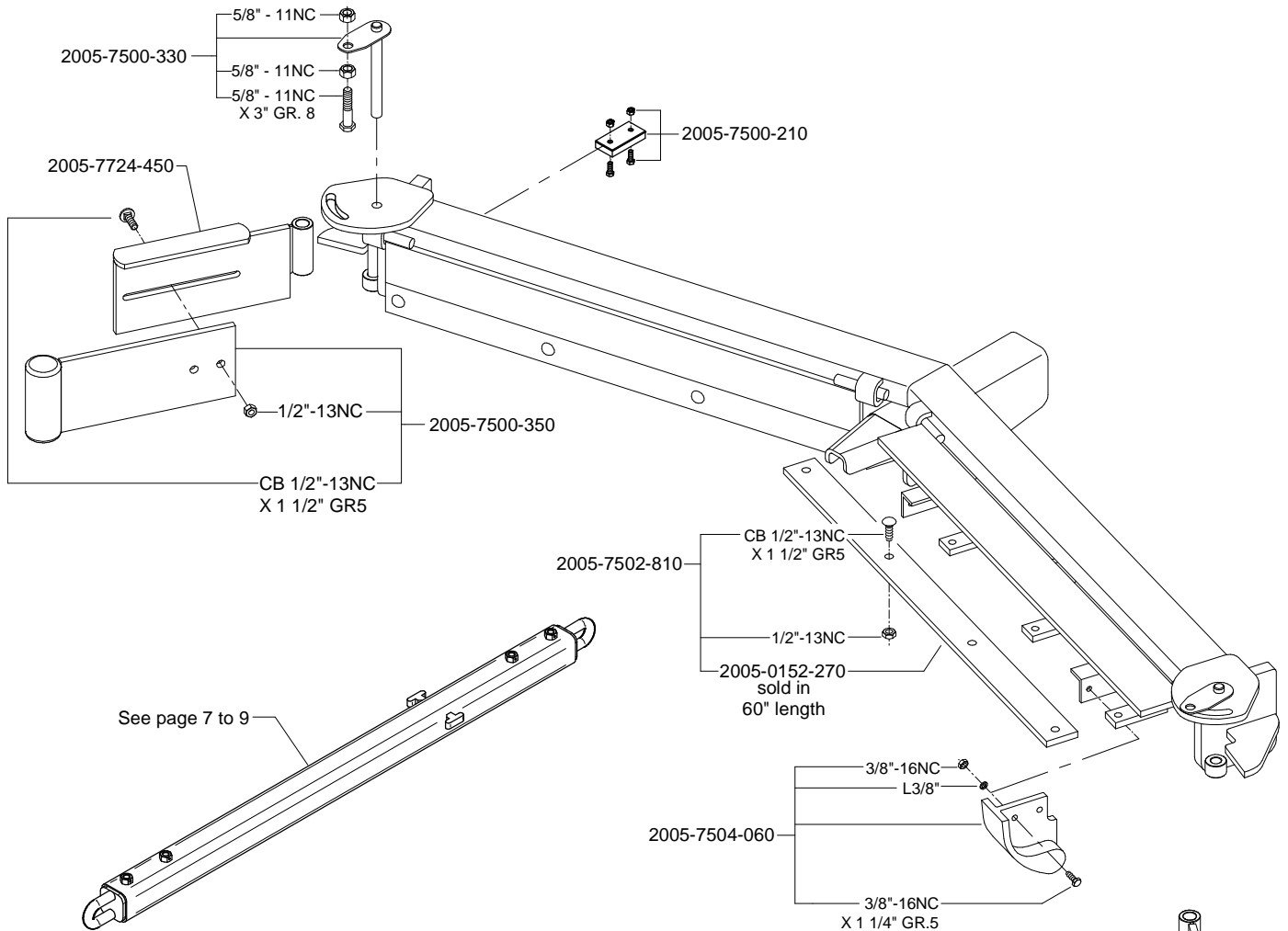


**Legend**

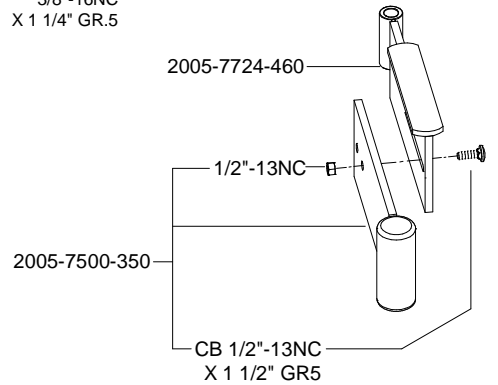
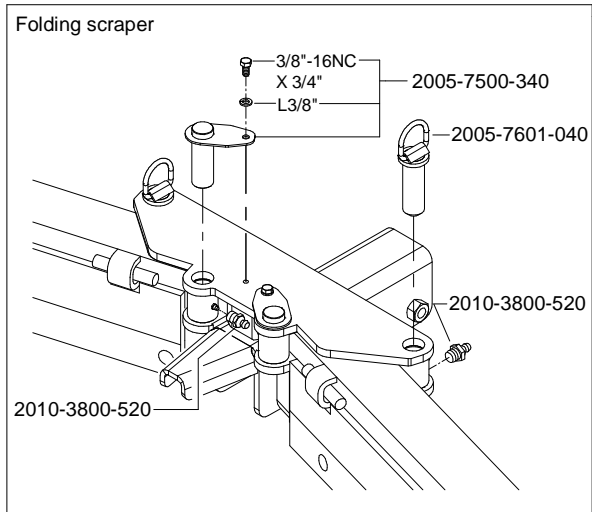
-  Alley with rubber mat
-  Sand bedding

**Folding end with nylon roller  
(only available for 24\"/>**



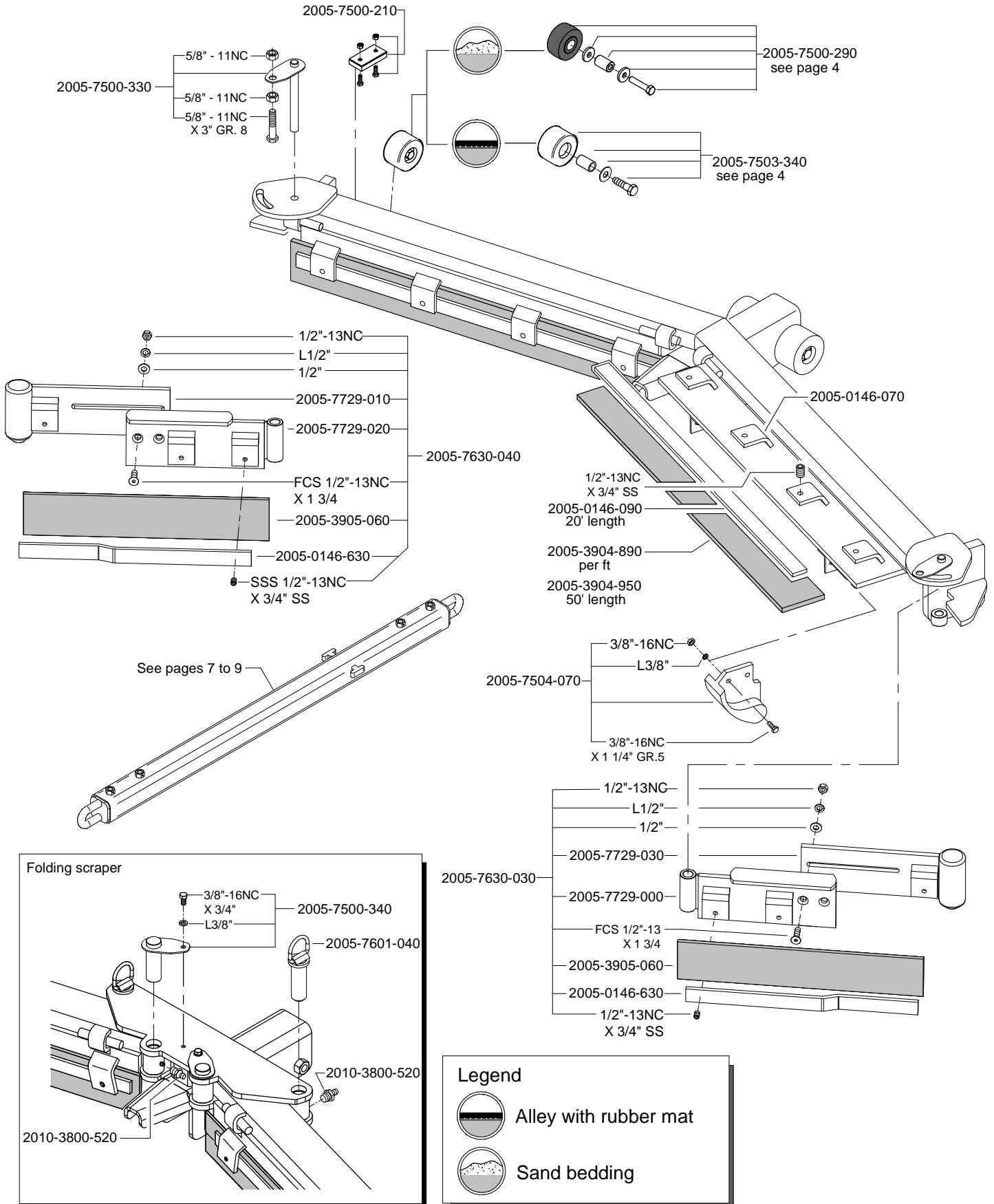


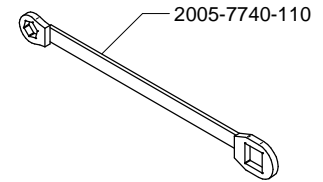
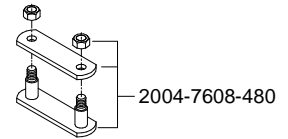
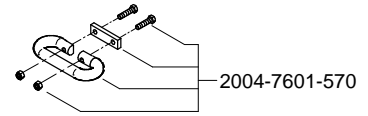
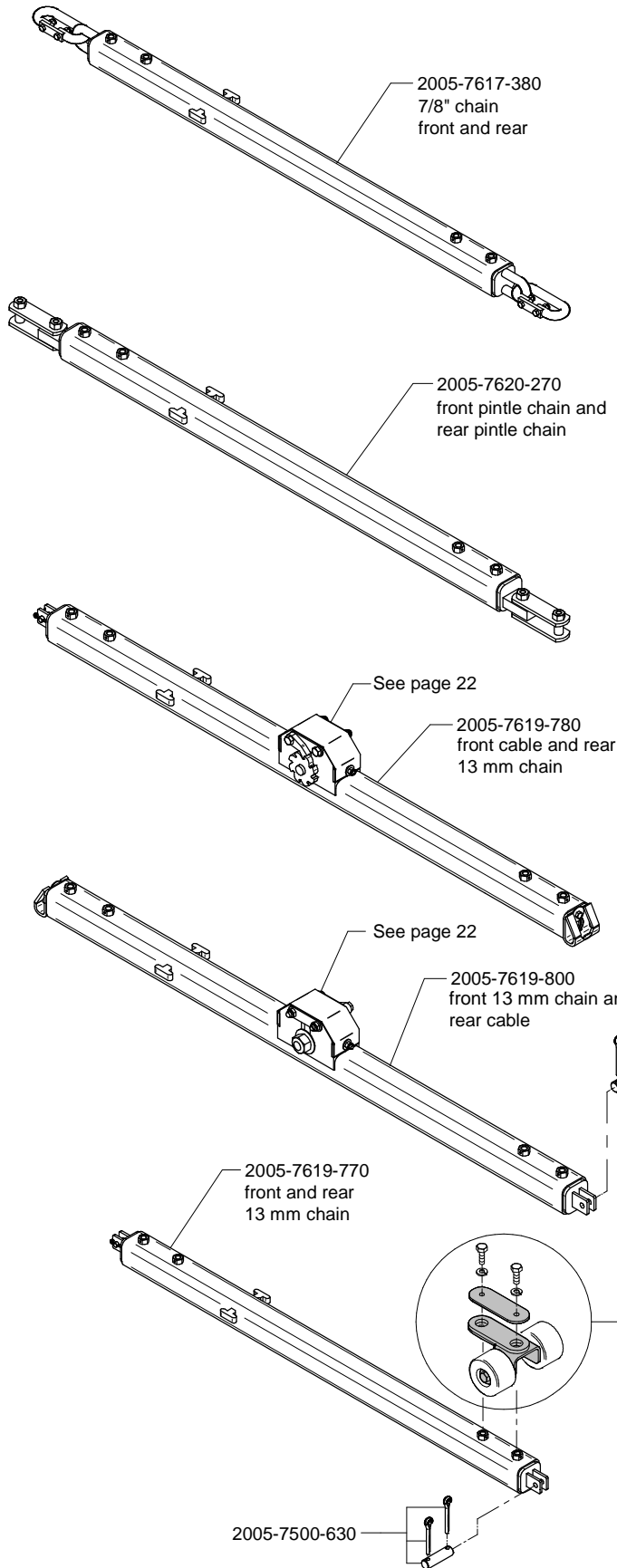
See page 7 to 9



Steel blades of an existing scraper can be replaced by urethane blades by ordering the kit 2005-7505-200.

## 16° SCRAPER WITH ADJUSTABLE URETHANE BLADES

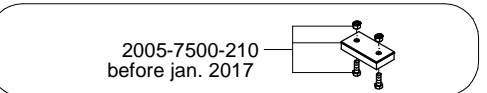
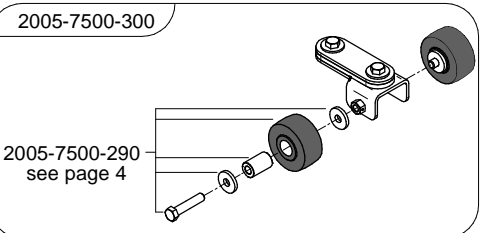
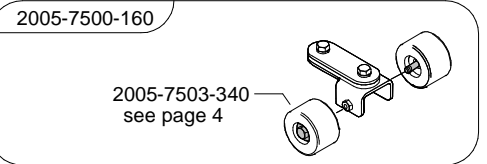




### Legend

- Alley with rubber mat
- Alley without rubber mat
- Sand bedding

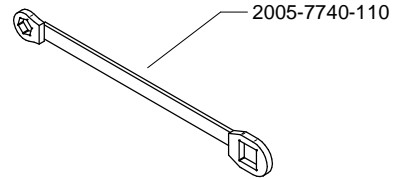
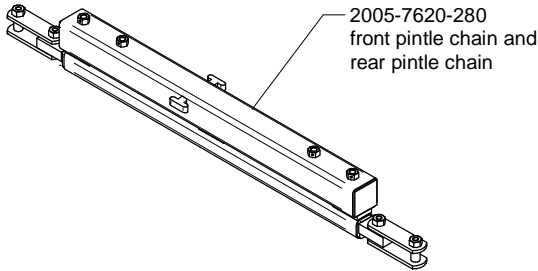
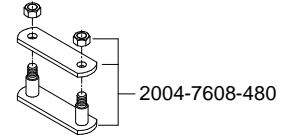
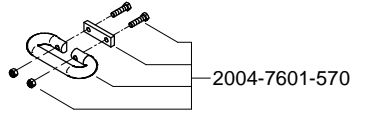
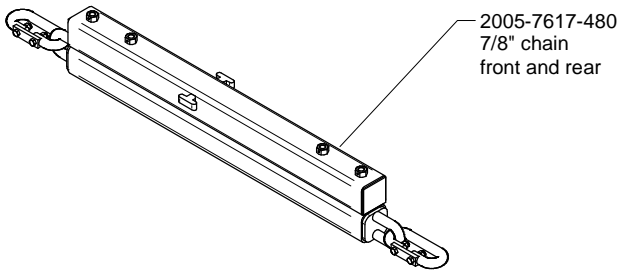
### Accessories (2 per draw bar)



### Recommendation

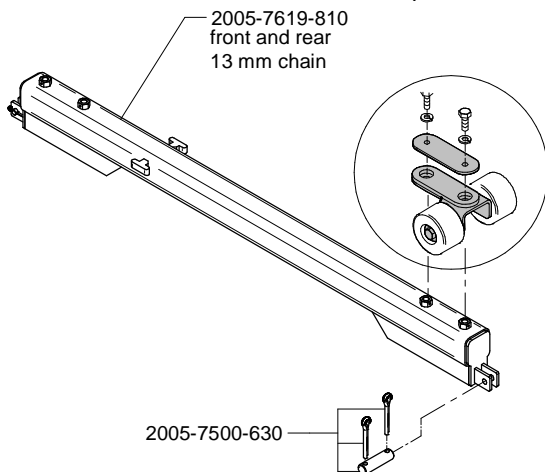
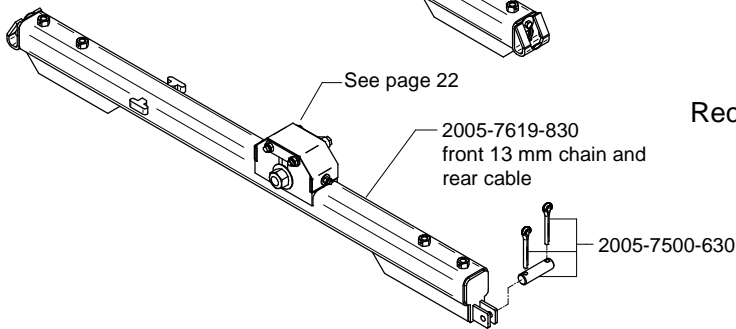
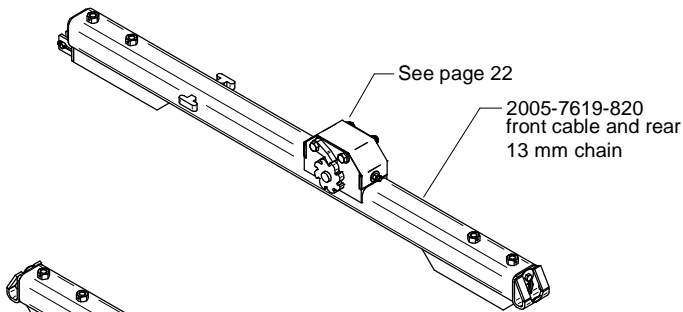


Note: Specify groove dimensions



**Legend**

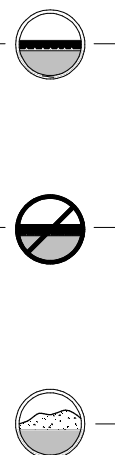
- Alley with rubber mat
- Alley without rubber mat
- Sand Bedding



### Accessories

(2 per draw bar)

### Recommendation



2005-7500-160

2005-7503-340  
(See Page 4)

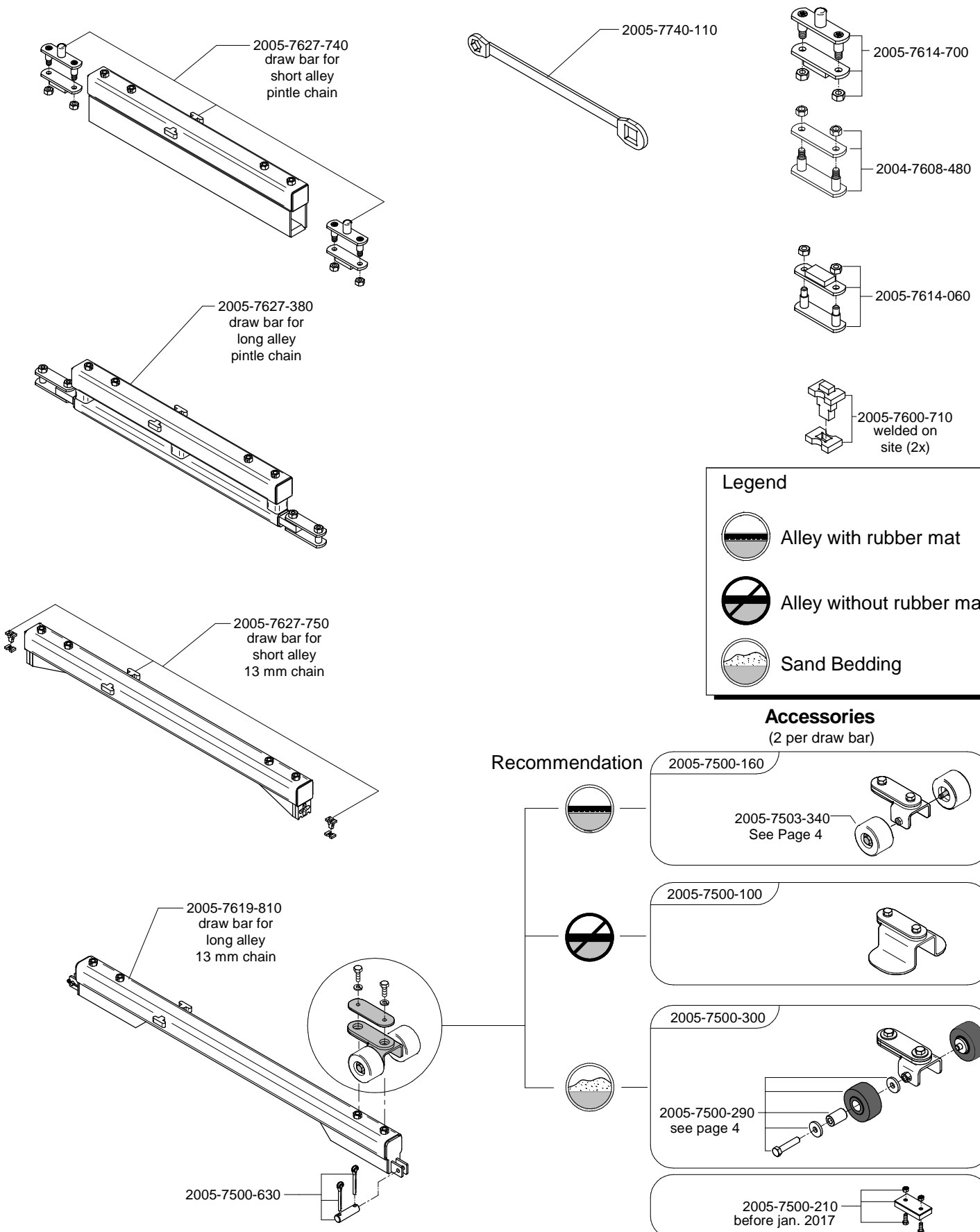
2005-7500-100

2005-7500-300

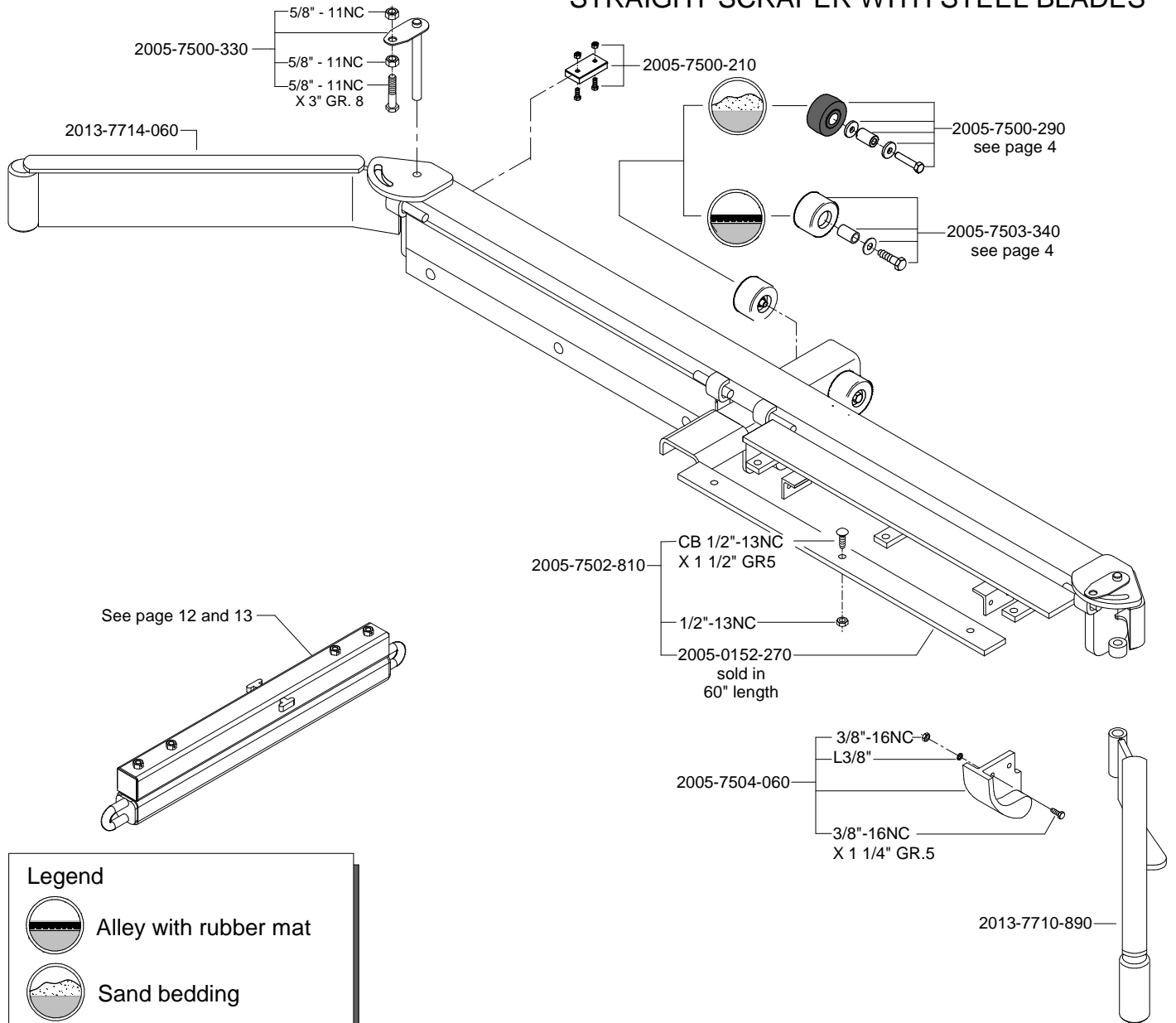
2005-7500-290  
see page 4

2005-7500-210  
before jan. 2017





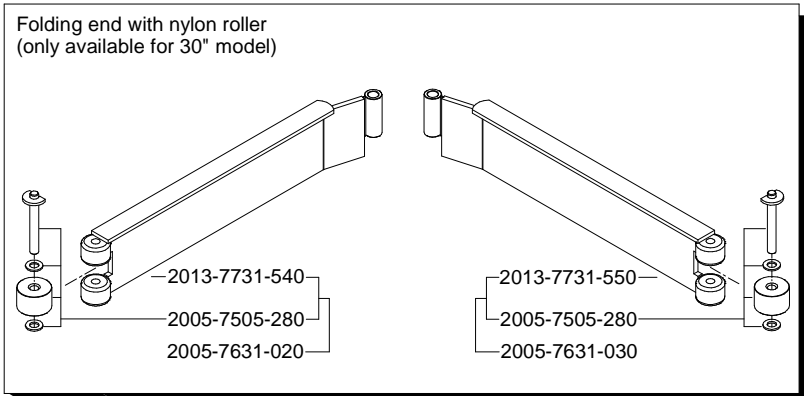
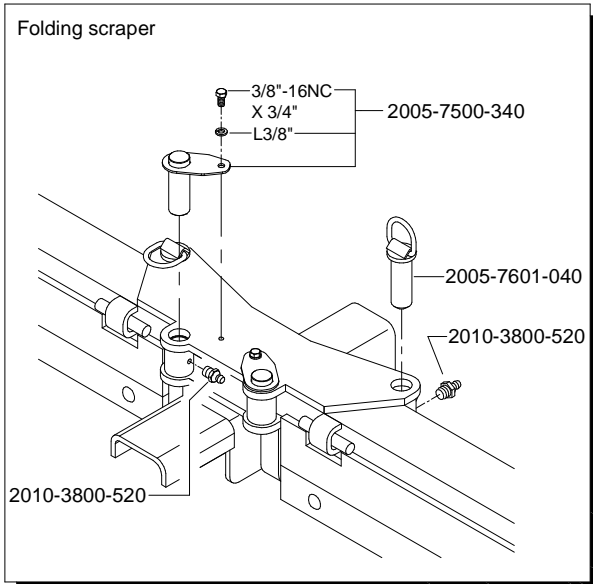


## STRAIGHT SCRAPER WITH STEEL BLADES



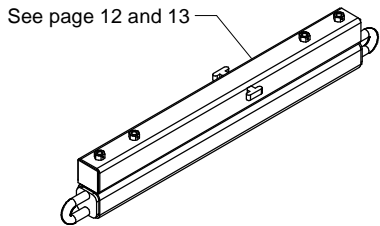
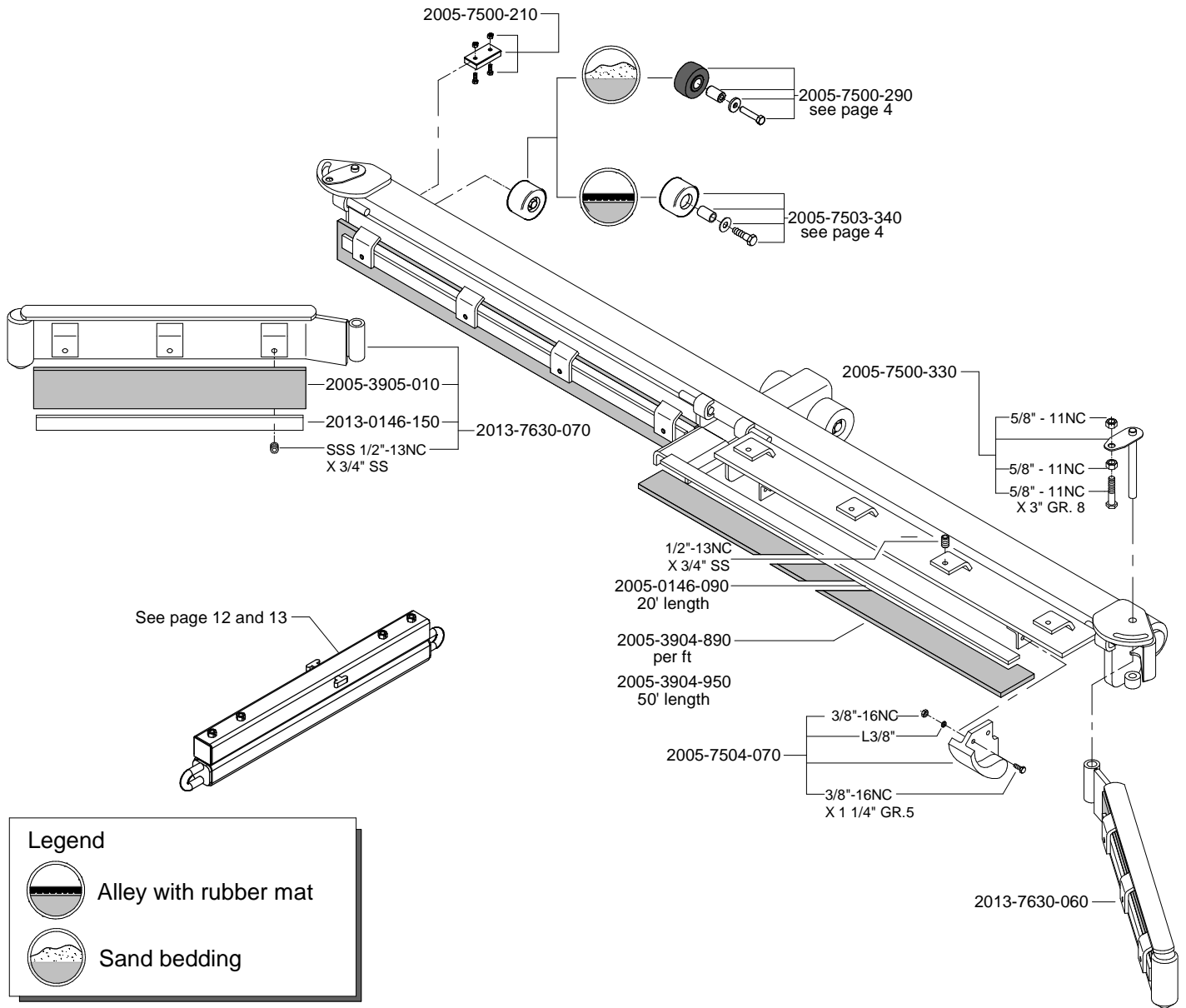
**Legend**

-  Alley with rubber mat
-  Sand bedding



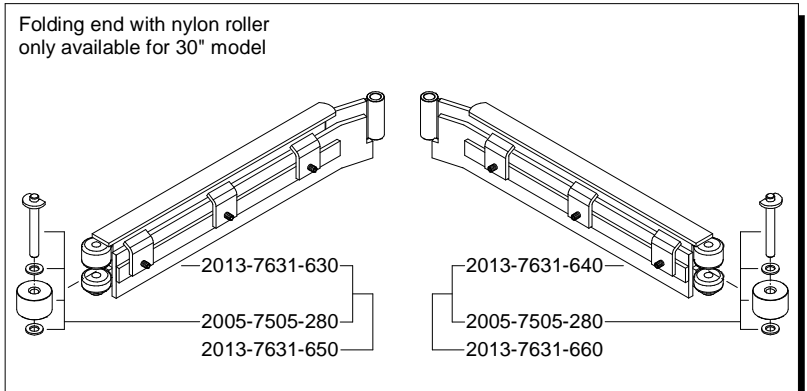
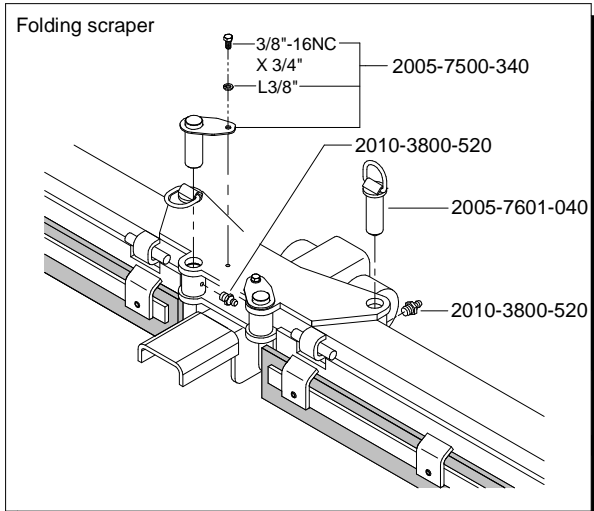
Steel blades of an existing scraper can be replaced by urethane blades by ordering the kit 2005-7505-210.

## STRAIGHT SCRAPER WITH URETHANE BLADES



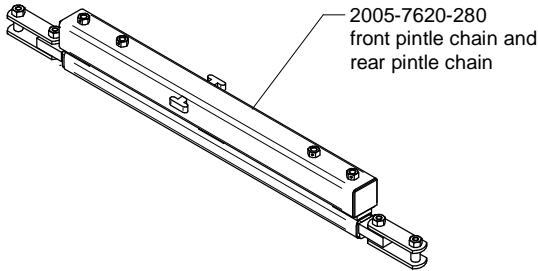
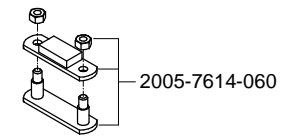
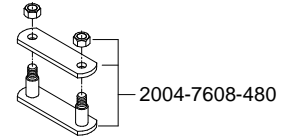
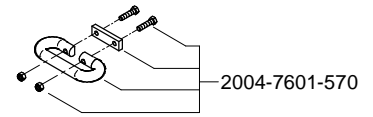
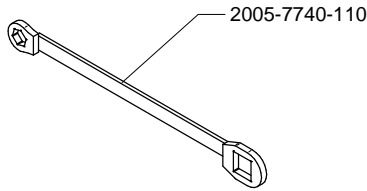
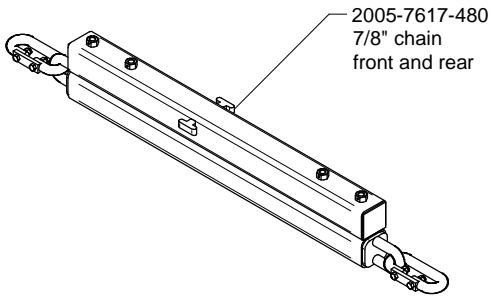
**Legend**

- Alley with rubber mat
- Sand bedding



## STRAIGHT SCRAPER - DRAW BAR FOR ALLEY WITH GUIDING GROOVE

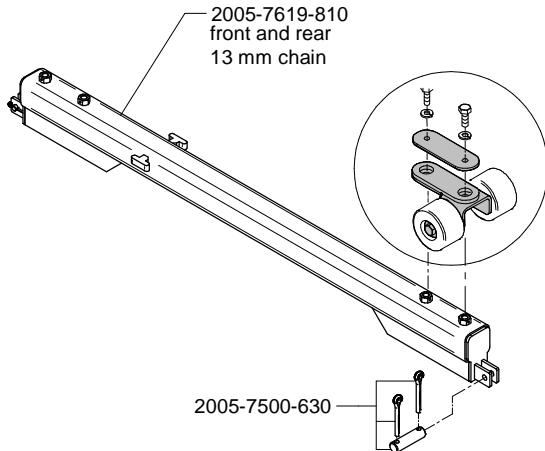
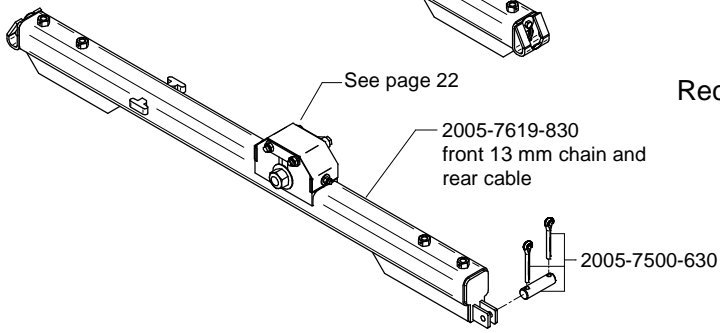
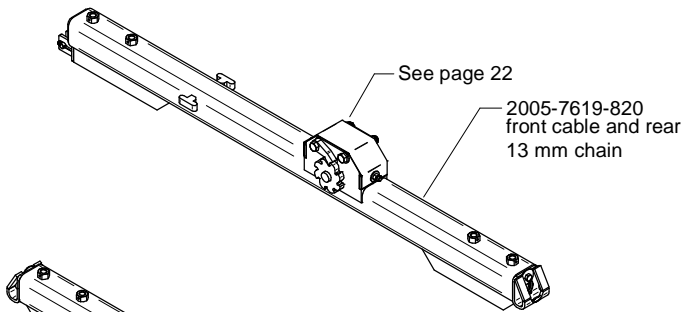
Note: Specify groove dimensions



**Legend**

- Alley with rubber mat
- Alley without rubber mat
- Sand Bedding

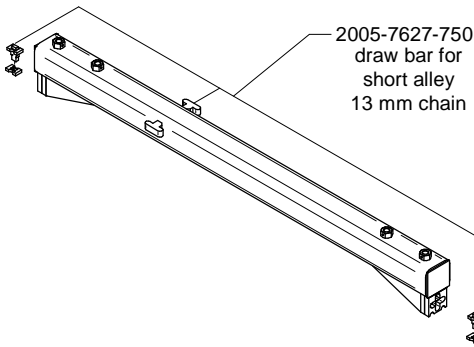
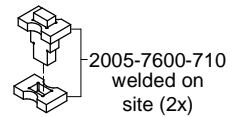
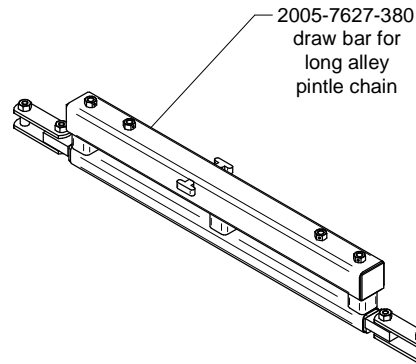
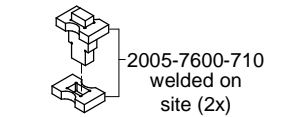
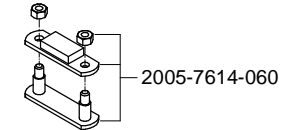
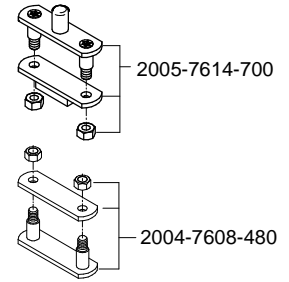
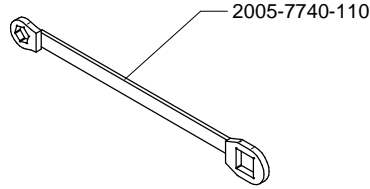
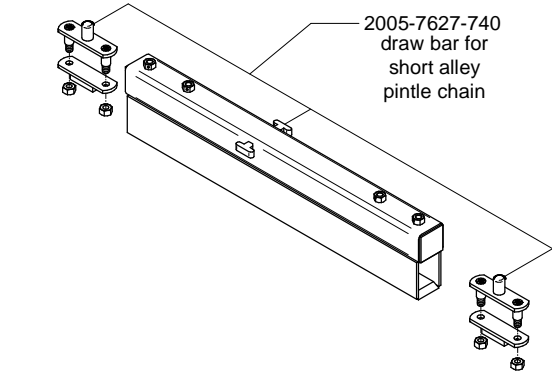
**Accessories**  
(2 per draw bar)



**Recommendation**

	<p>2005-7500-160</p> <p>2005-7503-340 See Page 4</p>
	<p>2005-7500-100</p>
	<p>2005-7500-300</p> <p>2005-7500-290 See Page 4</p>
	<p>2005-7500-210 before jan. 2017</p>

## STRAIGHT SCRAPER - DRAW BAR FOR SELF-DISENGAGING SYSTEM



### Legend

- Alley with rubber mat
- Alley without rubber mat
- Sand Bedding

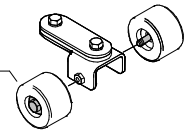
### Accessories (2 per draw bar)

### Recommendation

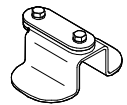
2005-7500-160



2005-7503-340  
See Page 4



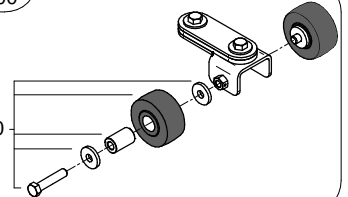
2005-7500-100



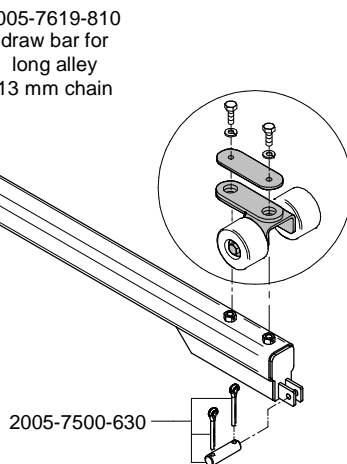
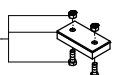
2005-7500-300

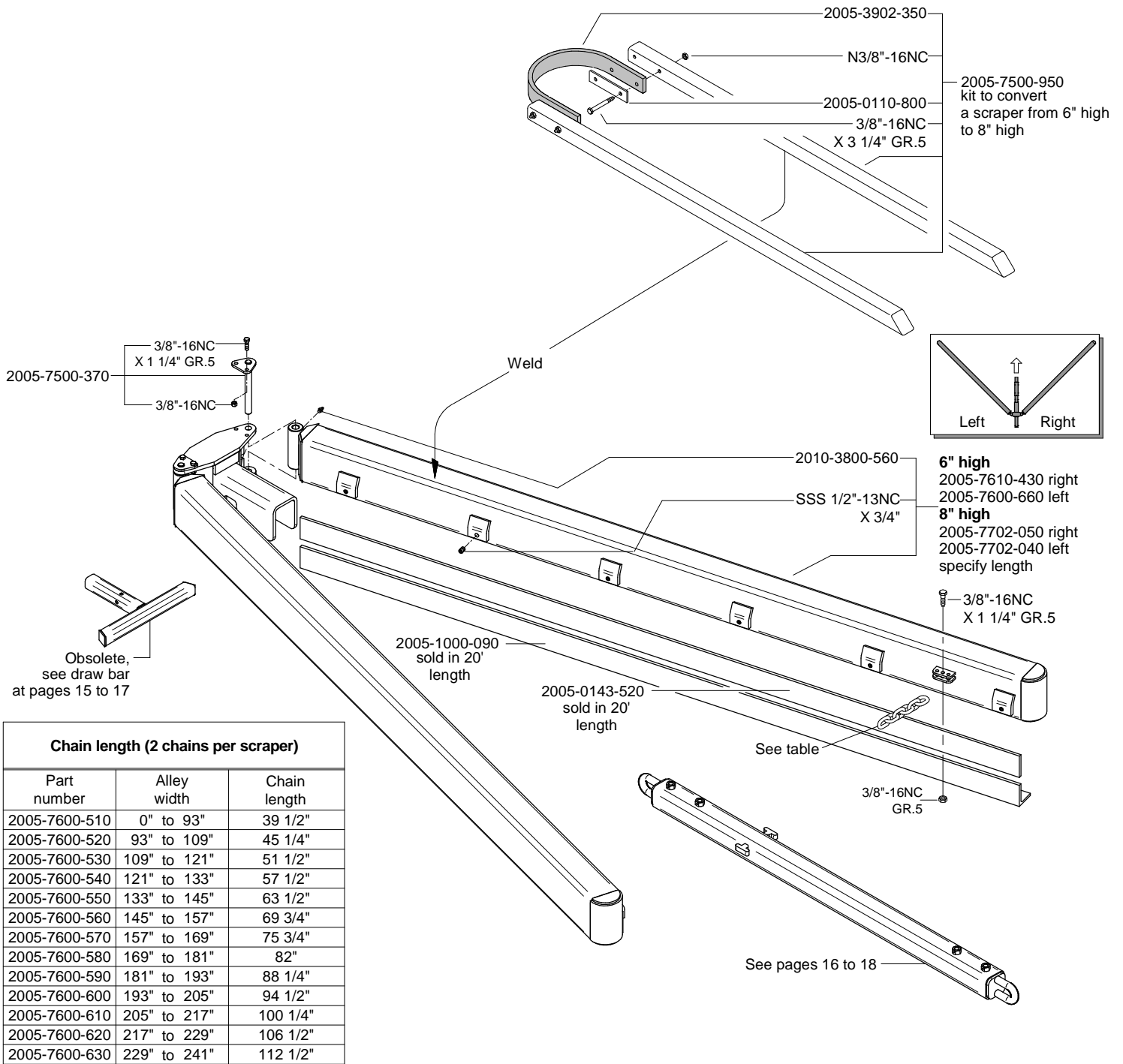


2005-7500-290  
See Page 4



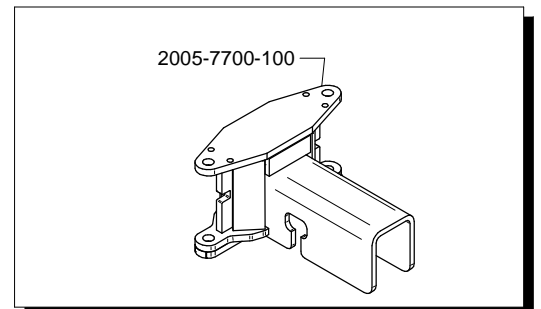
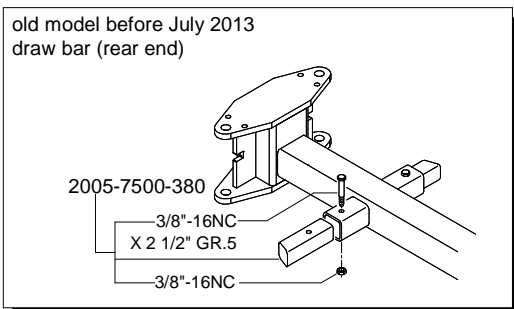
2005-7500-210  
before jan. 2017

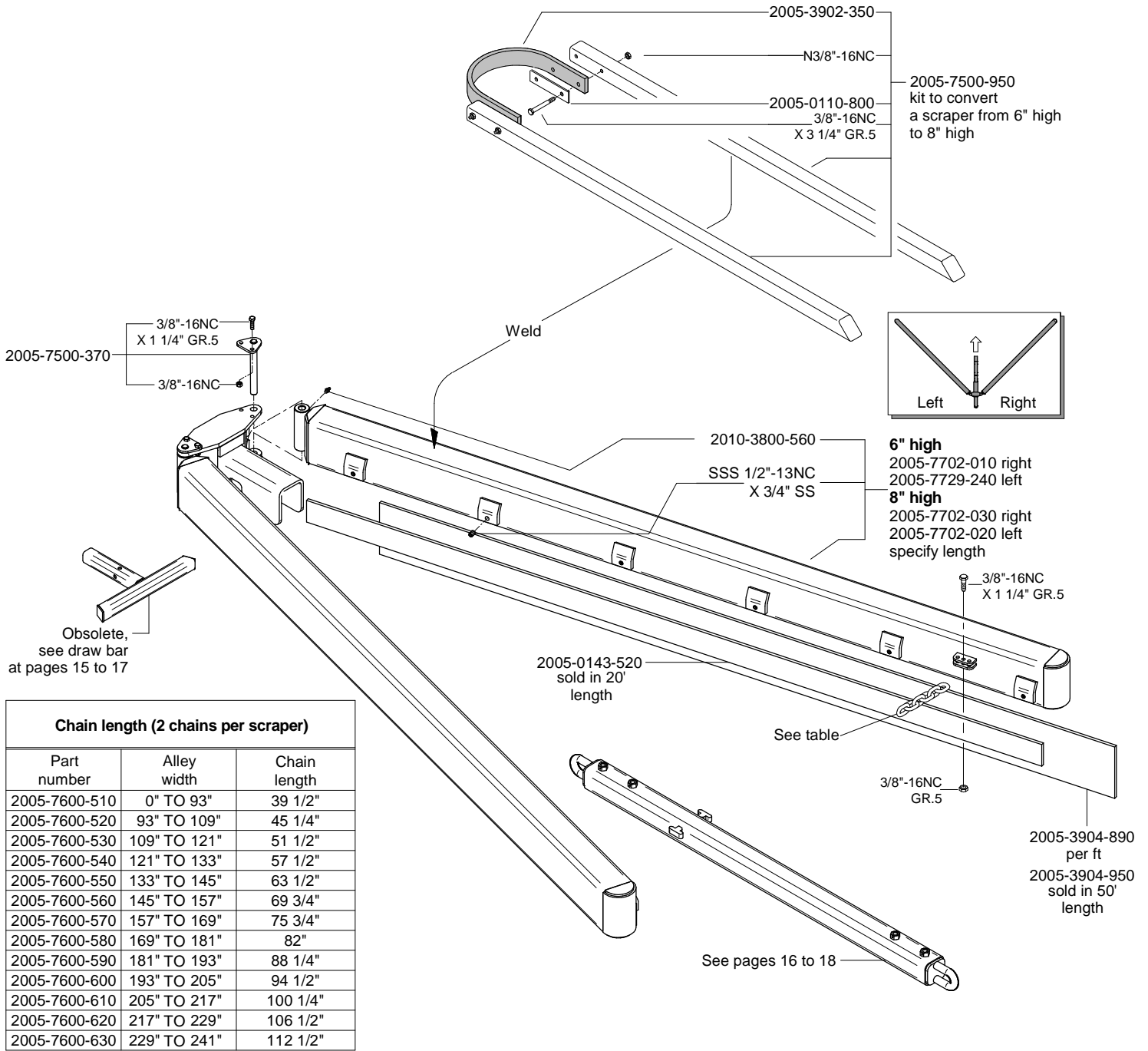




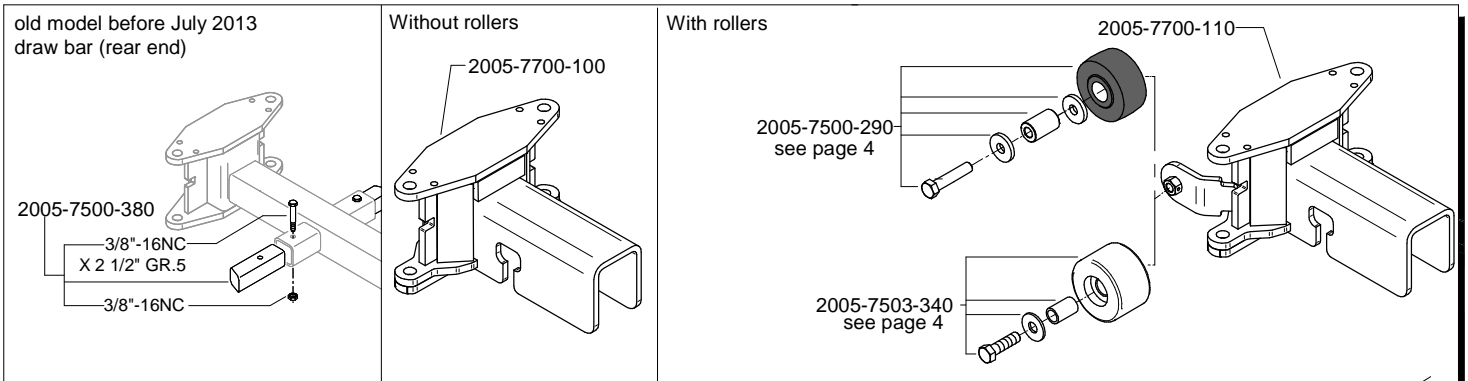
**Chain length (2 chains per scraper)**

Part number	Alley width	Chain length
2005-7600-510	0" to 93"	39 1/2"
2005-7600-520	93" to 109"	45 1/4"
2005-7600-530	109" to 121"	51 1/2"
2005-7600-540	121" to 133"	57 1/2"
2005-7600-550	133" to 145"	63 1/2"
2005-7600-560	145" to 157"	69 3/4"
2005-7600-570	157" to 169"	75 3/4"
2005-7600-580	169" to 181"	82"
2005-7600-590	181" to 193"	88 1/4"
2005-7600-600	193" to 205"	94 1/2"
2005-7600-610	205" to 217"	100 1/4"
2005-7600-620	217" to 229"	106 1/2"
2005-7600-630	229" to 241"	112 1/2"

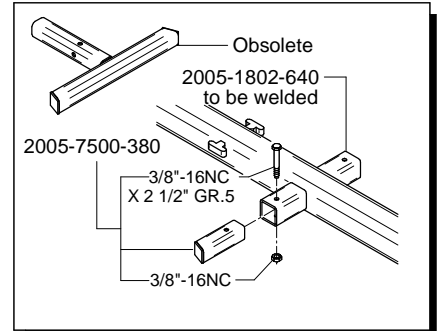
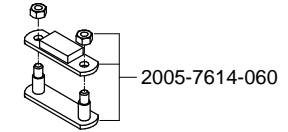
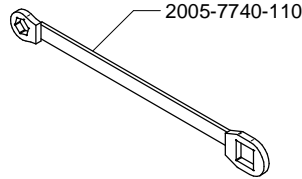
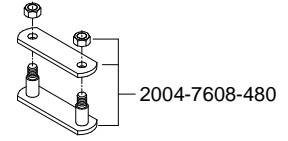
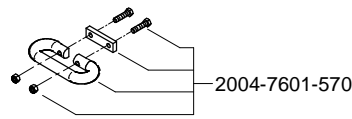
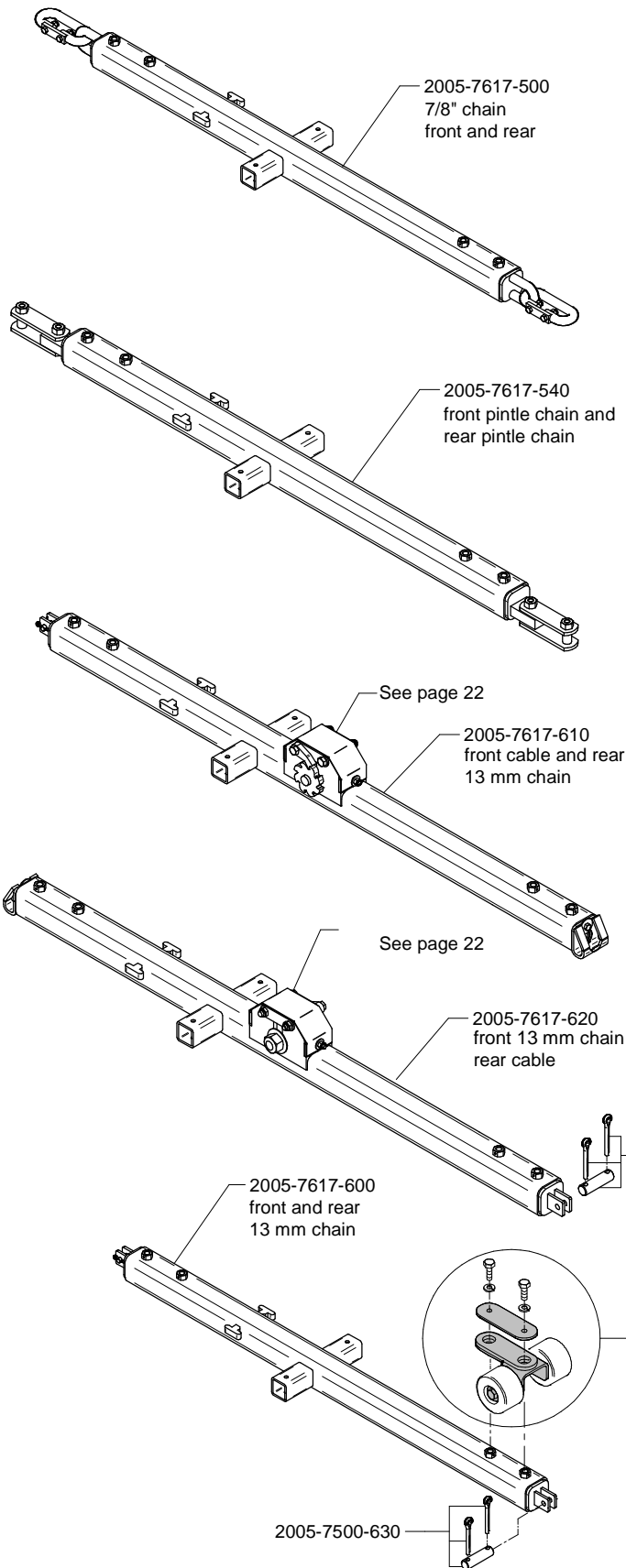




Chain length (2 chains per scraper)		
Part number	Alley width	Chain length
2005-7600-510	0" TO 93"	39 1/2"
2005-7600-520	93" TO 109"	45 1/4"
2005-7600-530	109" TO 121"	51 1/2"
2005-7600-540	121" TO 133"	57 1/2"
2005-7600-550	133" TO 145"	63 1/2"
2005-7600-560	145" TO 157"	69 3/4"
2005-7600-570	157" TO 169"	75 3/4"
2005-7600-580	169" TO 181"	82"
2005-7600-590	181" TO 193"	88 1/4"
2005-7600-600	193" TO 205"	94 1/2"
2005-7600-610	205" TO 217"	100 1/4"
2005-7600-620	217" TO 229"	106 1/2"
2005-7600-630	229" TO 241"	112 1/2"



## "V" SHAPE SCRAPER - DRAW BAR FOR ALLEY WITHOUT GUIDING GROOVE



**Legend**

- Alley with rubber mat
- Alley without rubber mat
- Sand bedding

**Accessories**  
(2 per draw bar)

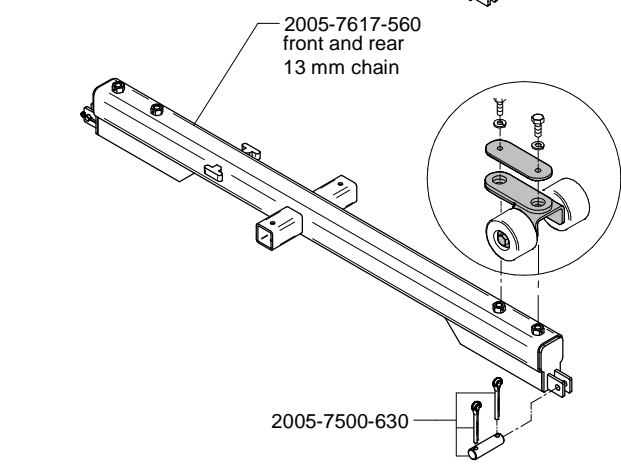
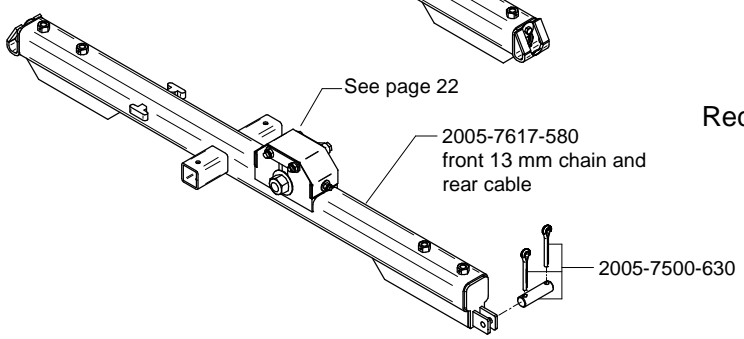
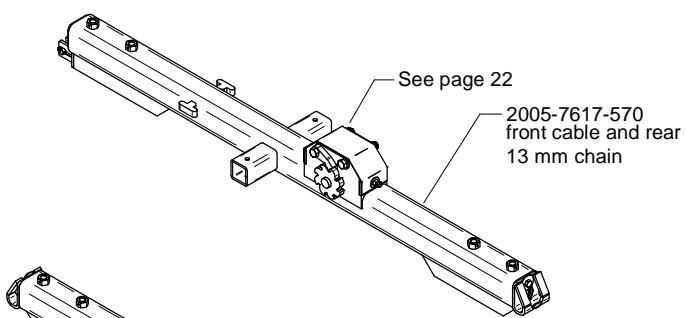
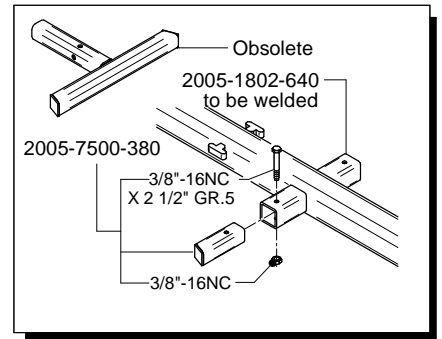
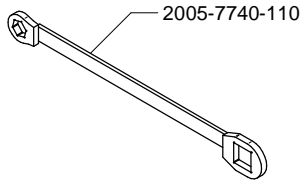
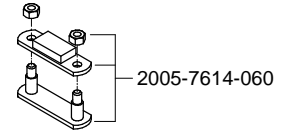
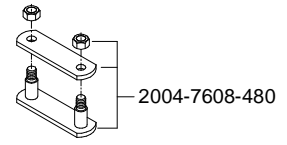
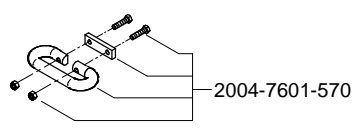
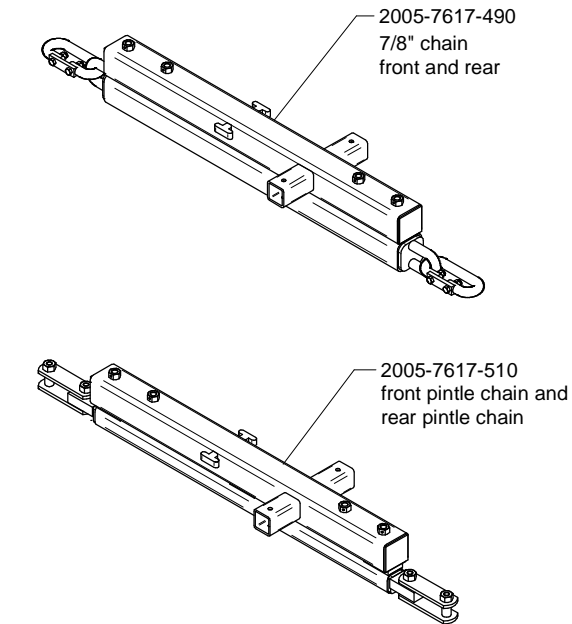
**Recommendation**

- 2005-7500-090
- 2005-7500-150   
2005-7503-340  
see page 4
- 2005-7500-310   
2005-7500-290  
see page 4
- 2005-7500-210  
before jan. 2017



## "V" SHAPE SCRAPER - DRAW BAR FOR ALLEY WITH GUIDING GROOVE

Note: Specify groove dimensions



**Legend**

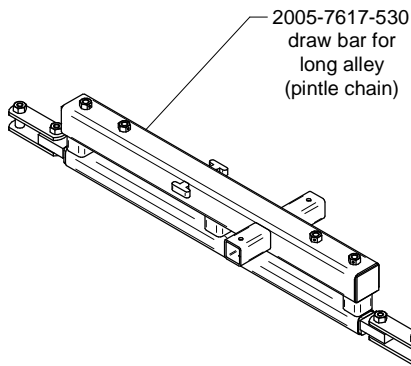
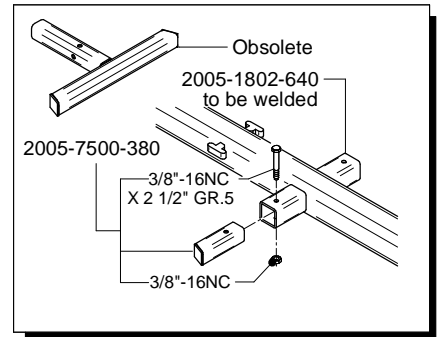
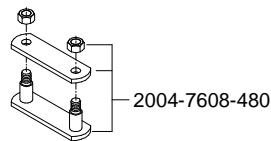
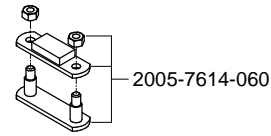
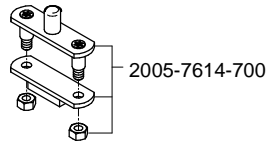
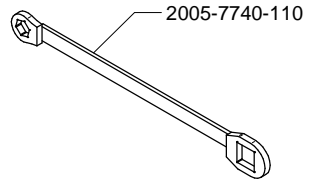
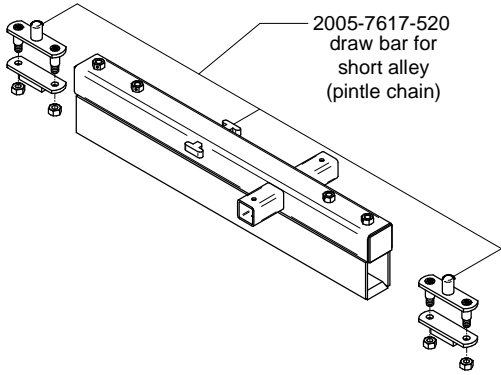
- Alley with rubber mat
- Alley without rubber mat
- Sand Bedding

**Accessories**  
(2 per draw bar)

**Recommendation**

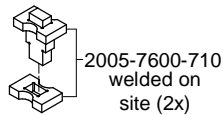
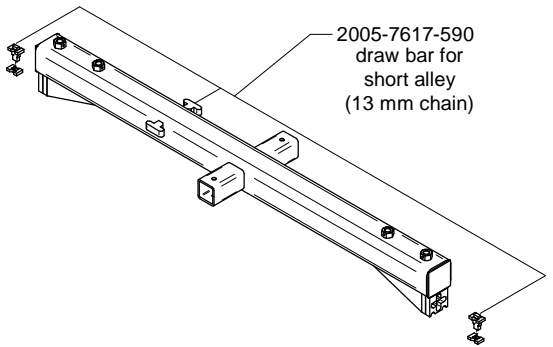
- 2005-7500-130
- 2005-7500-150   
2005-7503-340  
See Page 4
- 2005-7500-310   
2005-7500-290  
see page 4
- 2005-7500-210  
before jan. 2017

## "V" SHAPE SCRAPER - DRAW BAR FOR SELF-DISENGAGING SYSTEM



**Legend**

- Alley with rubber mat
- Alley without rubber mat
- Sand Bedding

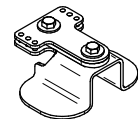


**Recommendation**

**Accessories**  
(2 per draw bar)

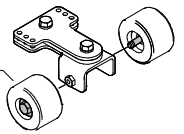


2005-7500-130



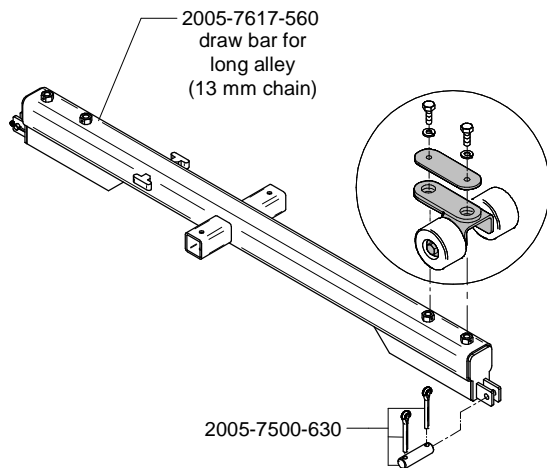
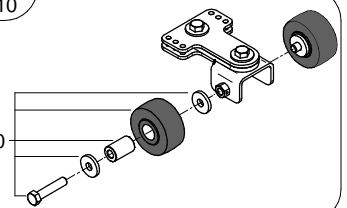
2005-7500-150

2005-7503-340  
see page 4

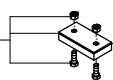


2005-7500-310

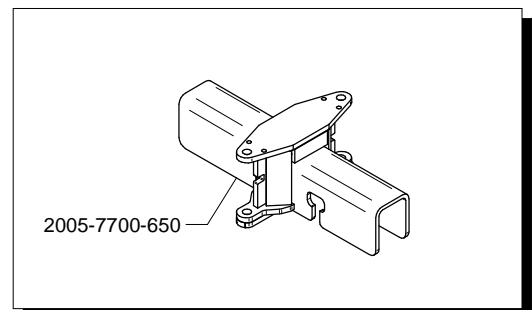
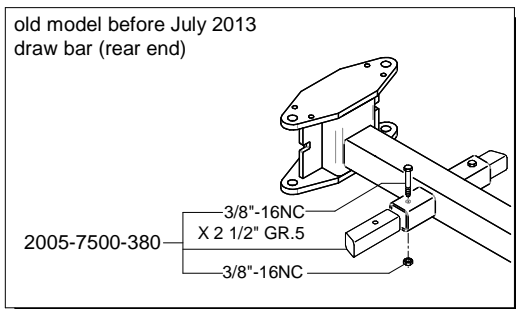
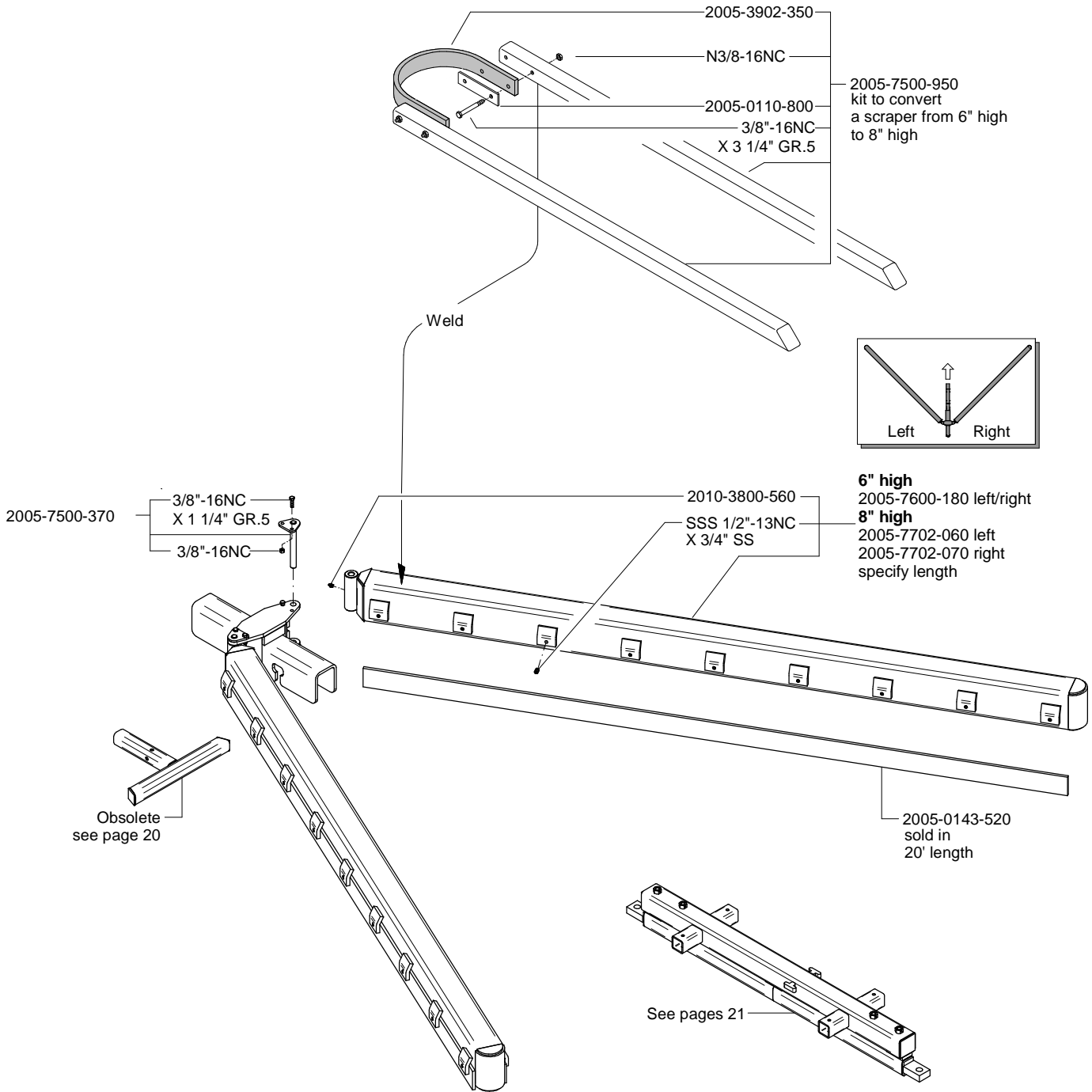
2005-7500-290  
see page 4



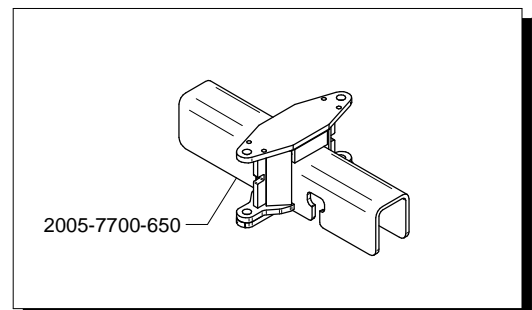
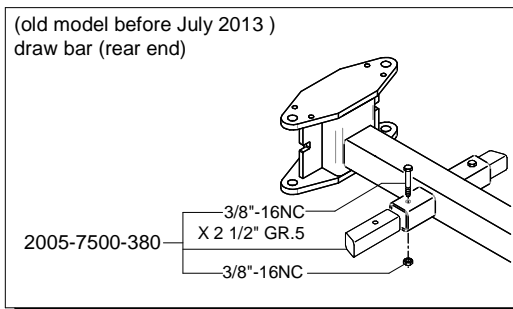
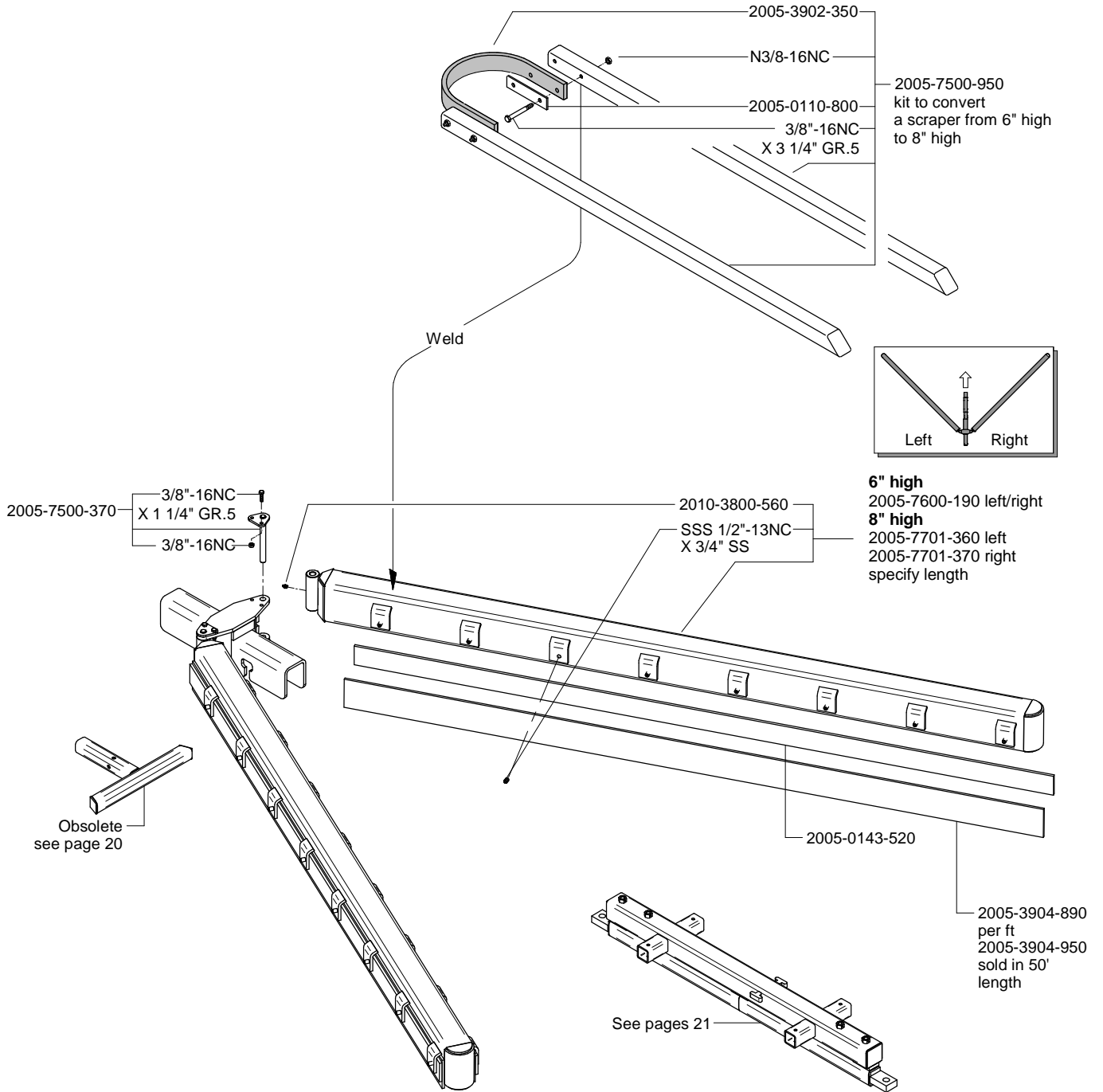
2005-7500-210  
before jan. 2017

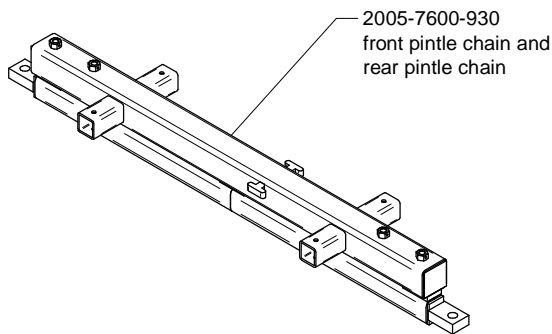
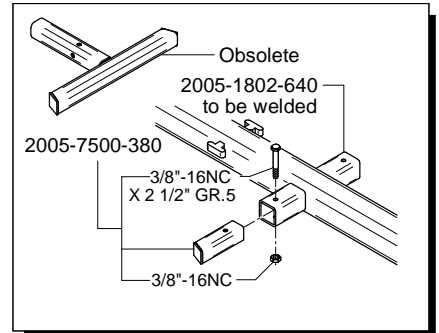
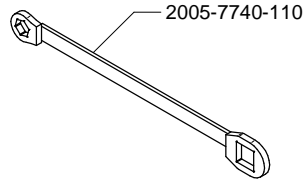
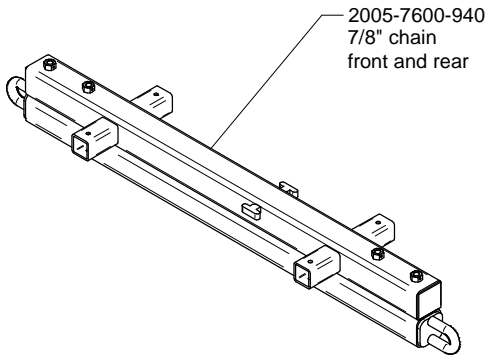
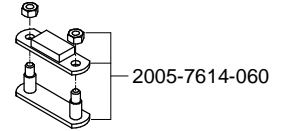
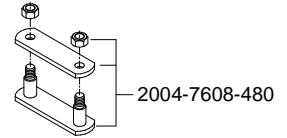
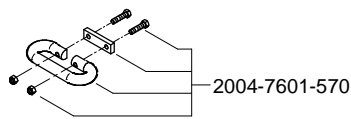


## BIDIRECTIONAL "V" SHAPE SCRAPER WITH STEEL BLADES



## BIDIRECTIONAL "V" SHAPE SCRAPER WITH URETHANE BLADES





### Legend

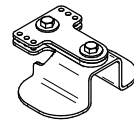
- Alley with rubber mat
- Alley without rubber mat
- Sand Bedding

### Accessories (2 per draw bar)

### Recommendation

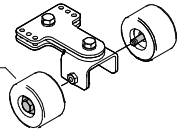


2005-7500-130



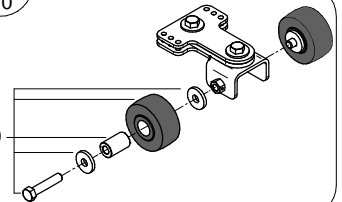
2005-7500-150

2005-7503-340  
see page 4

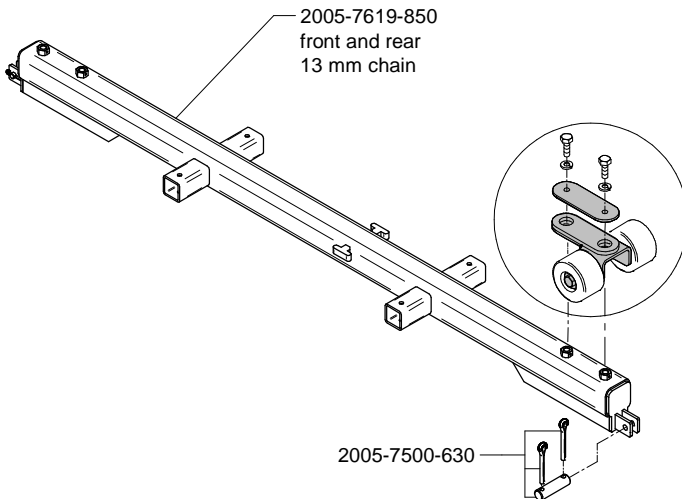
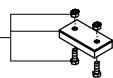


2005-7500-310

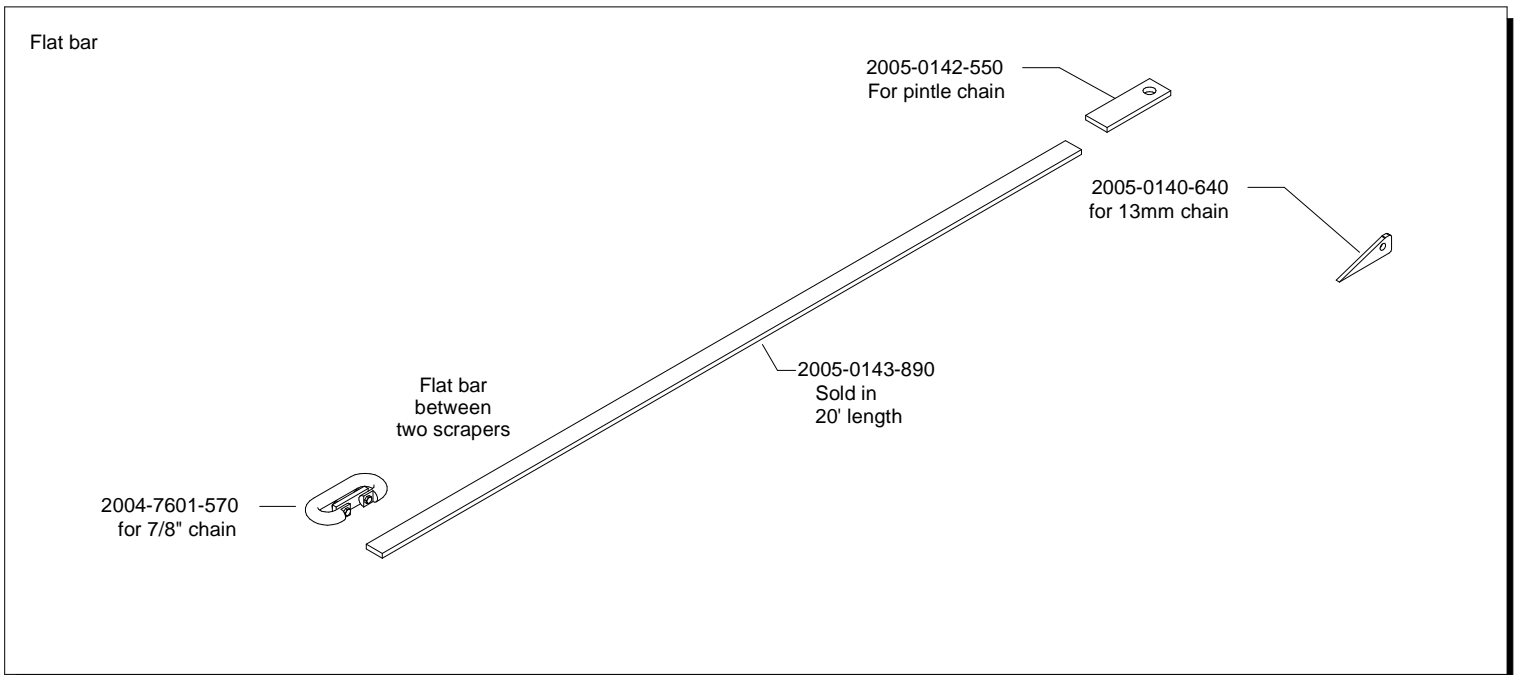
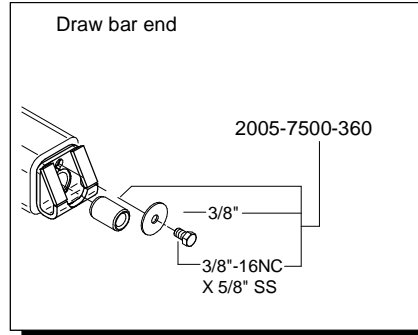
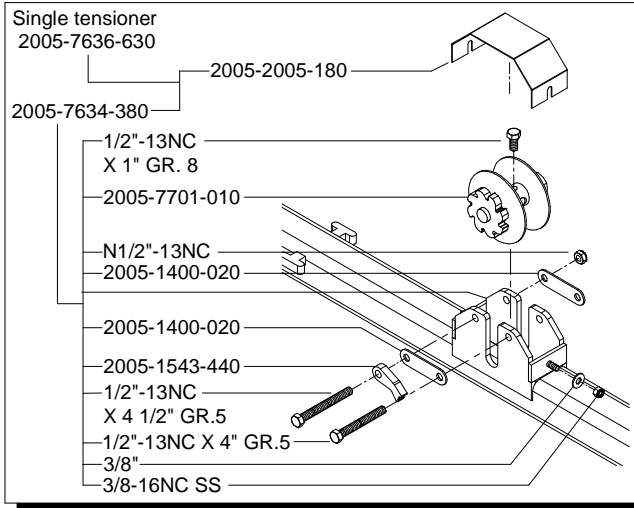
2005-7500-290  
see page 4



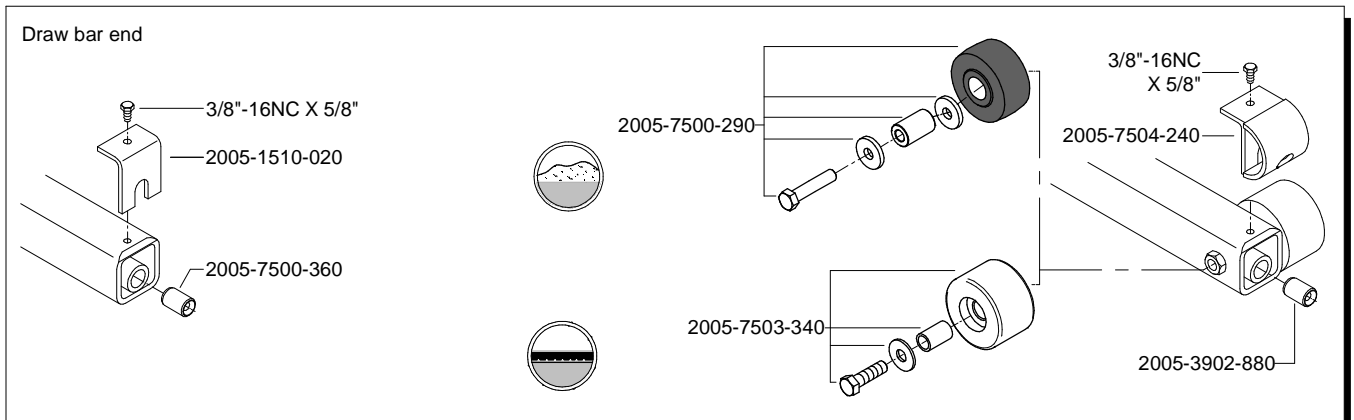
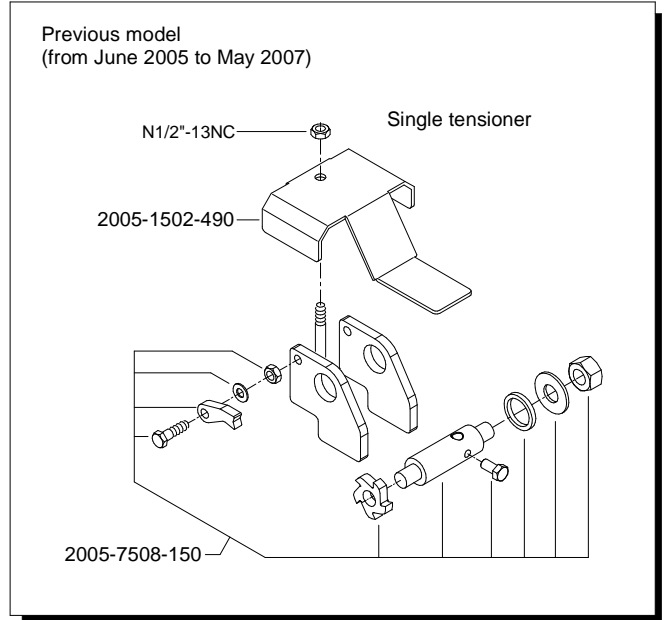
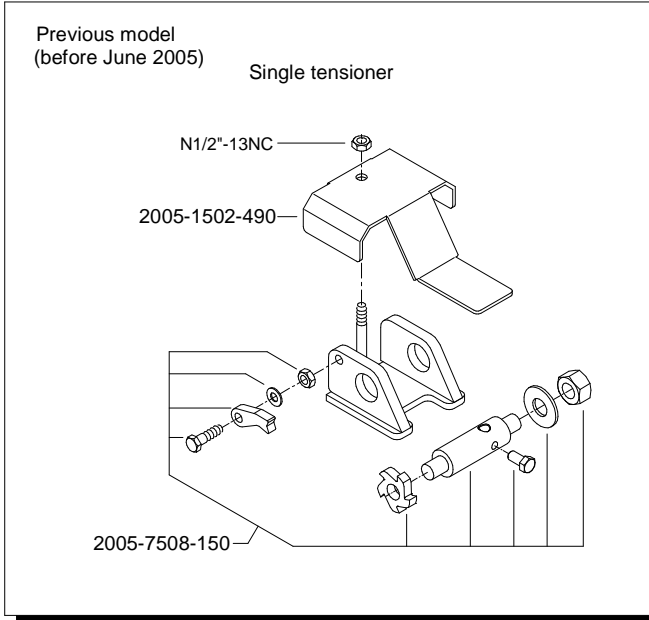
2005-7500-210  
before jan. 2017

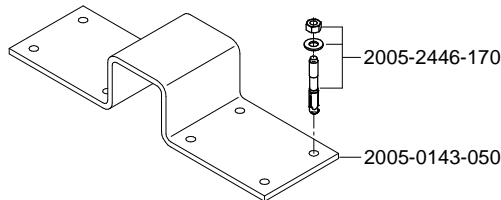
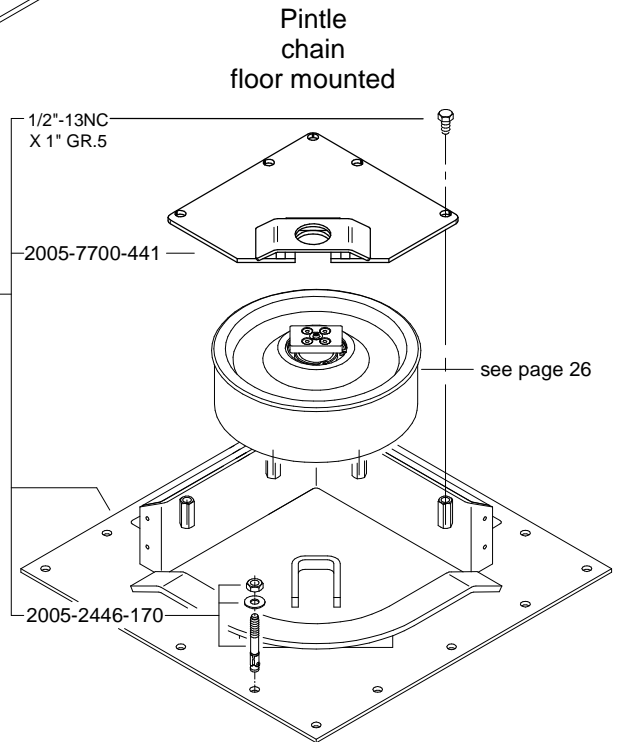
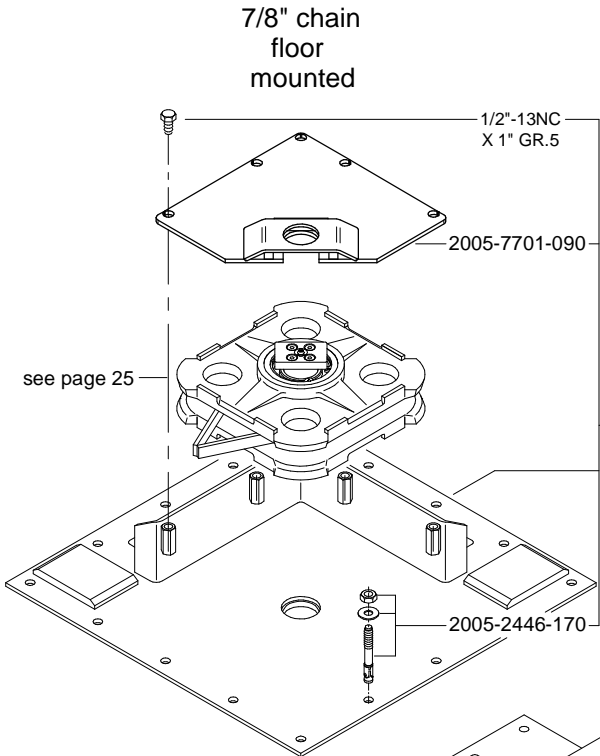
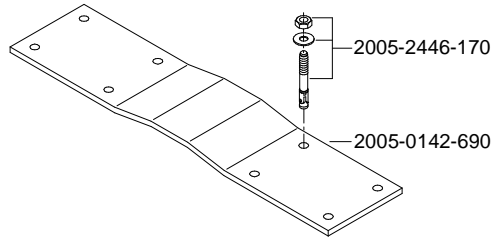
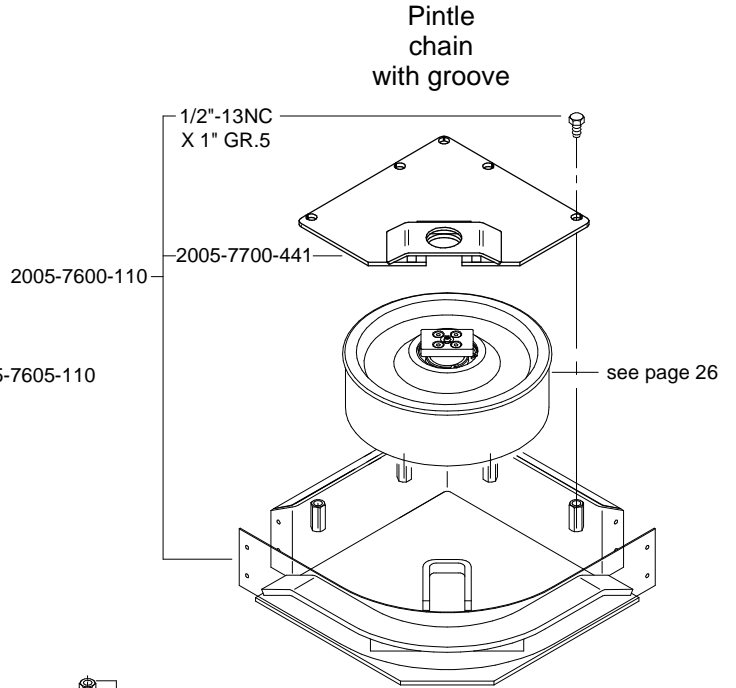
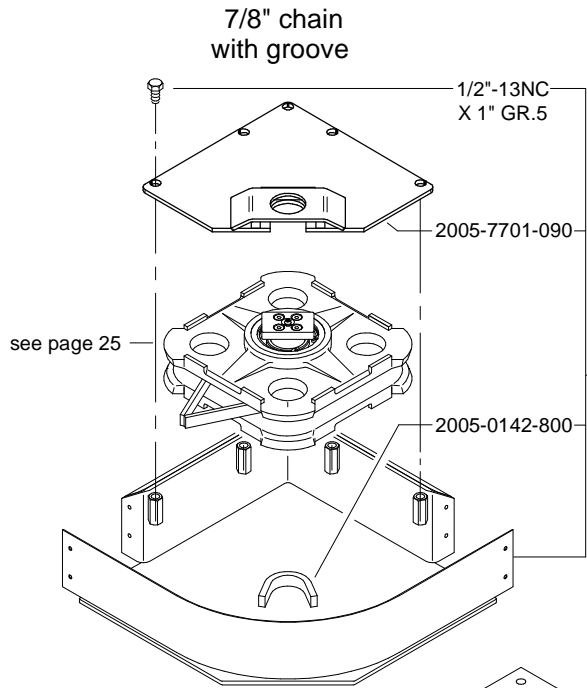


**TENSIONER, DRAW BAR END AND FLAT BAR BETWEEN SCRAPERS**

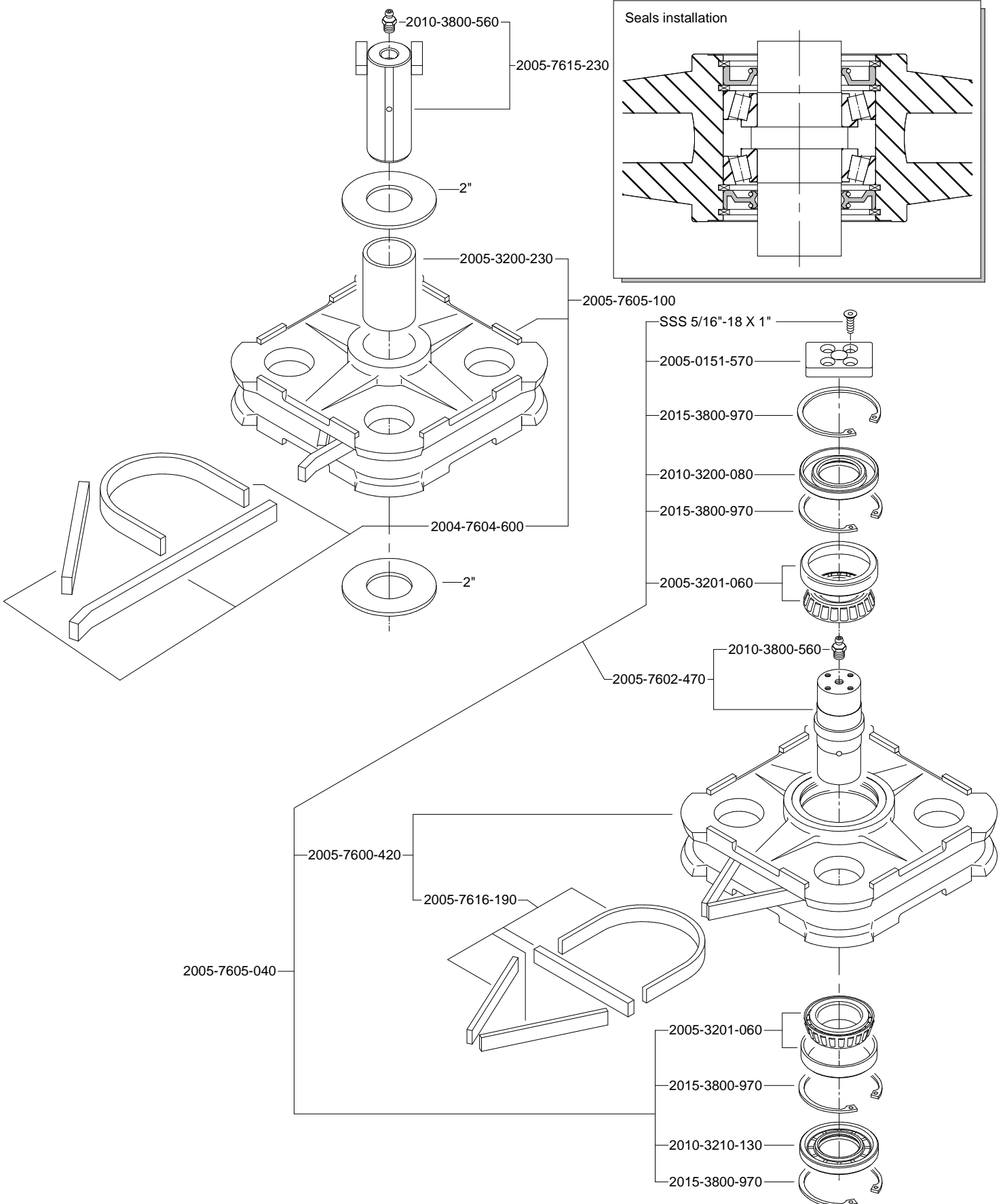


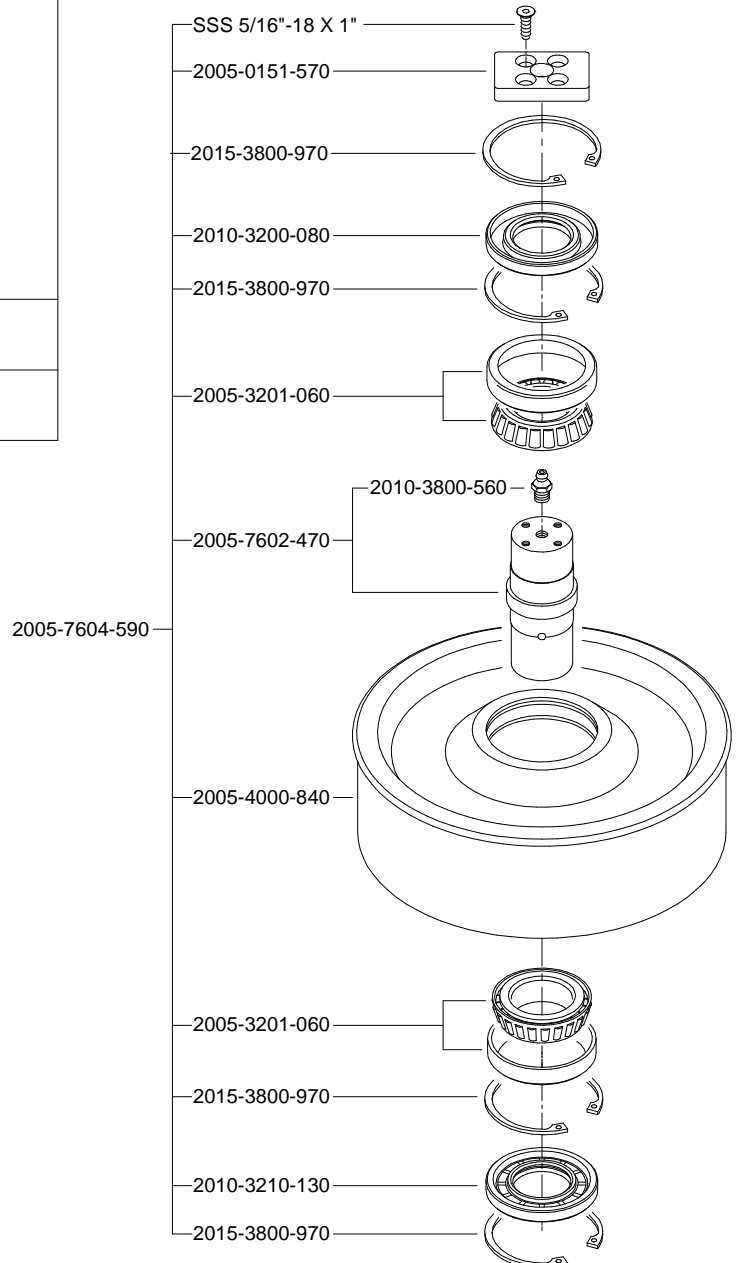
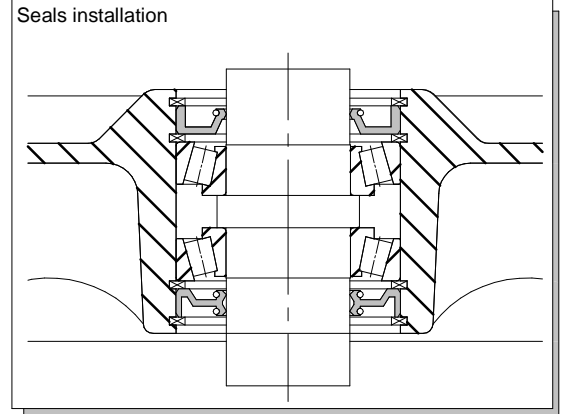
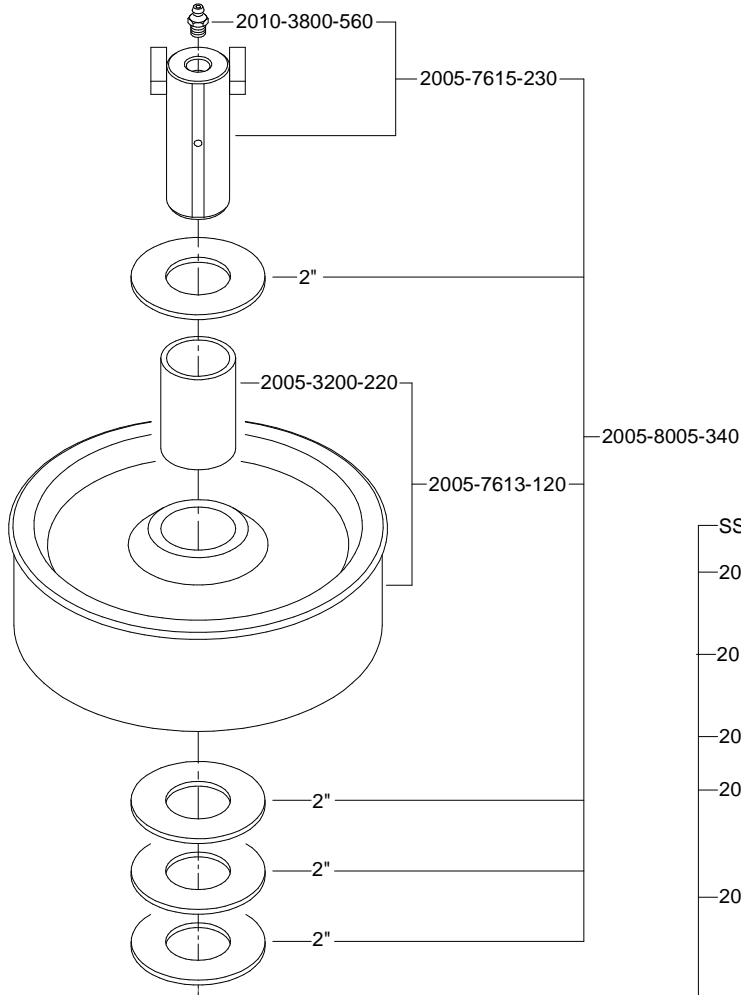
## DRAW BAR ACCESSORIES - BEFORE MAY 2007



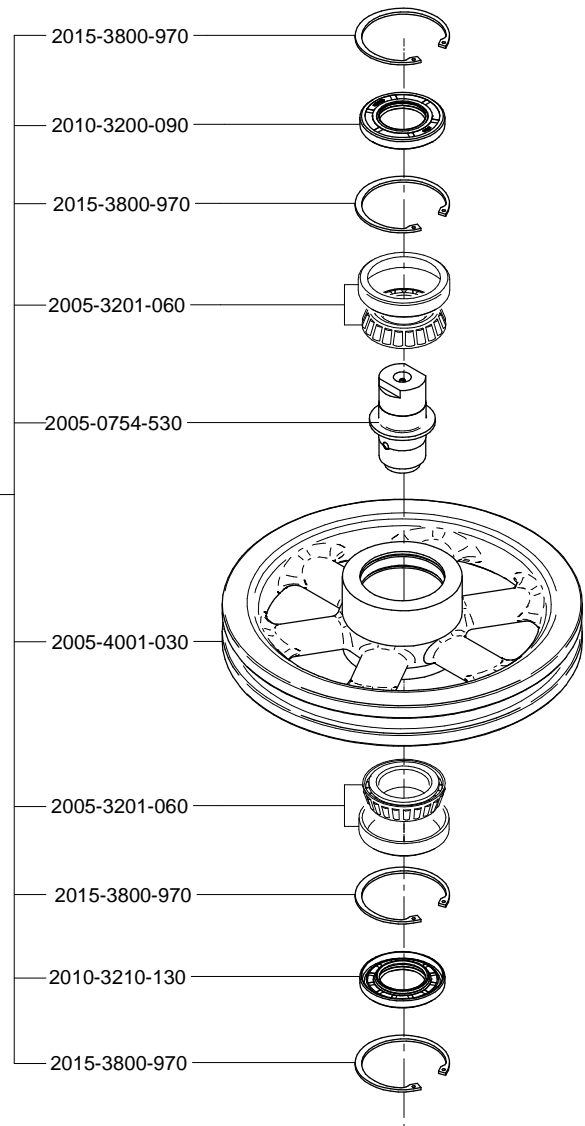
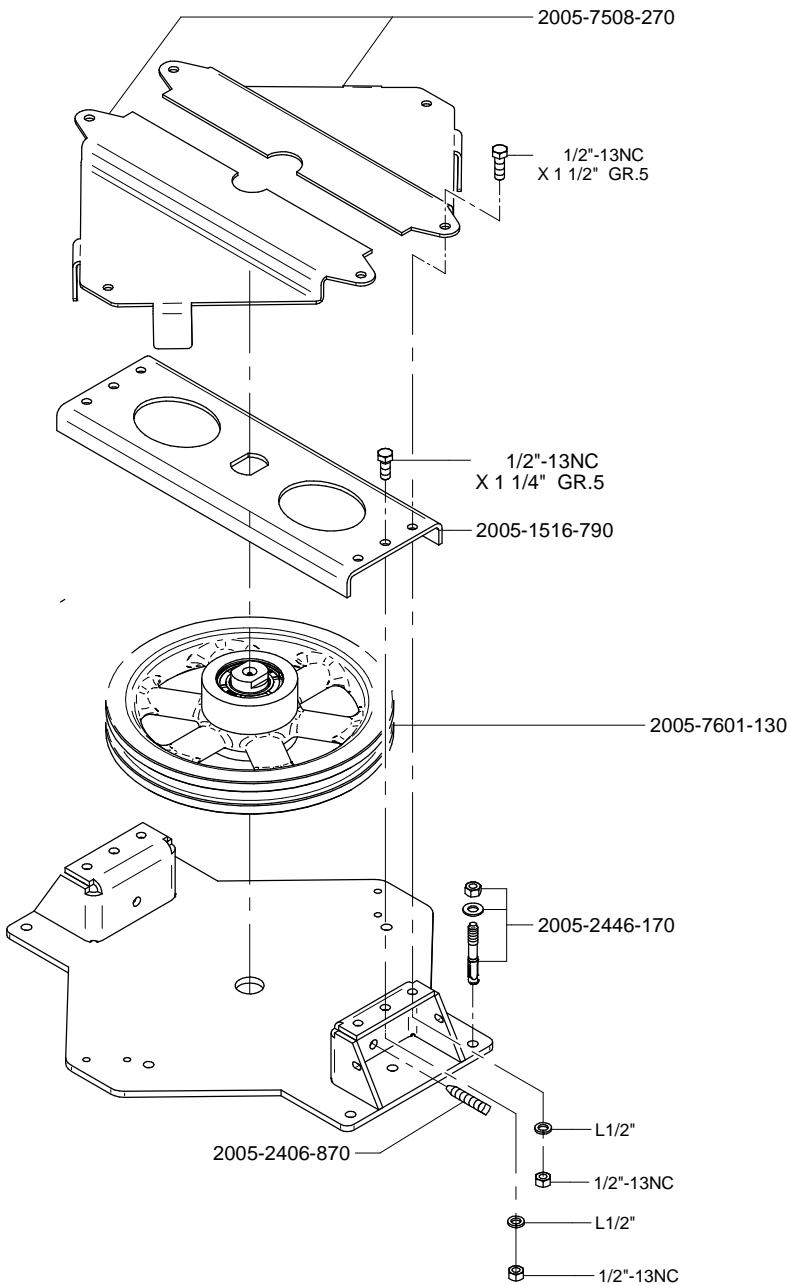
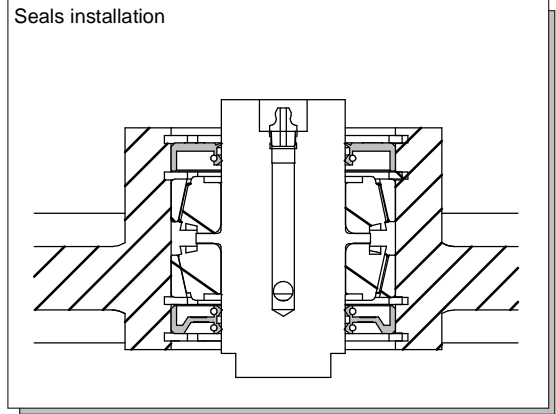




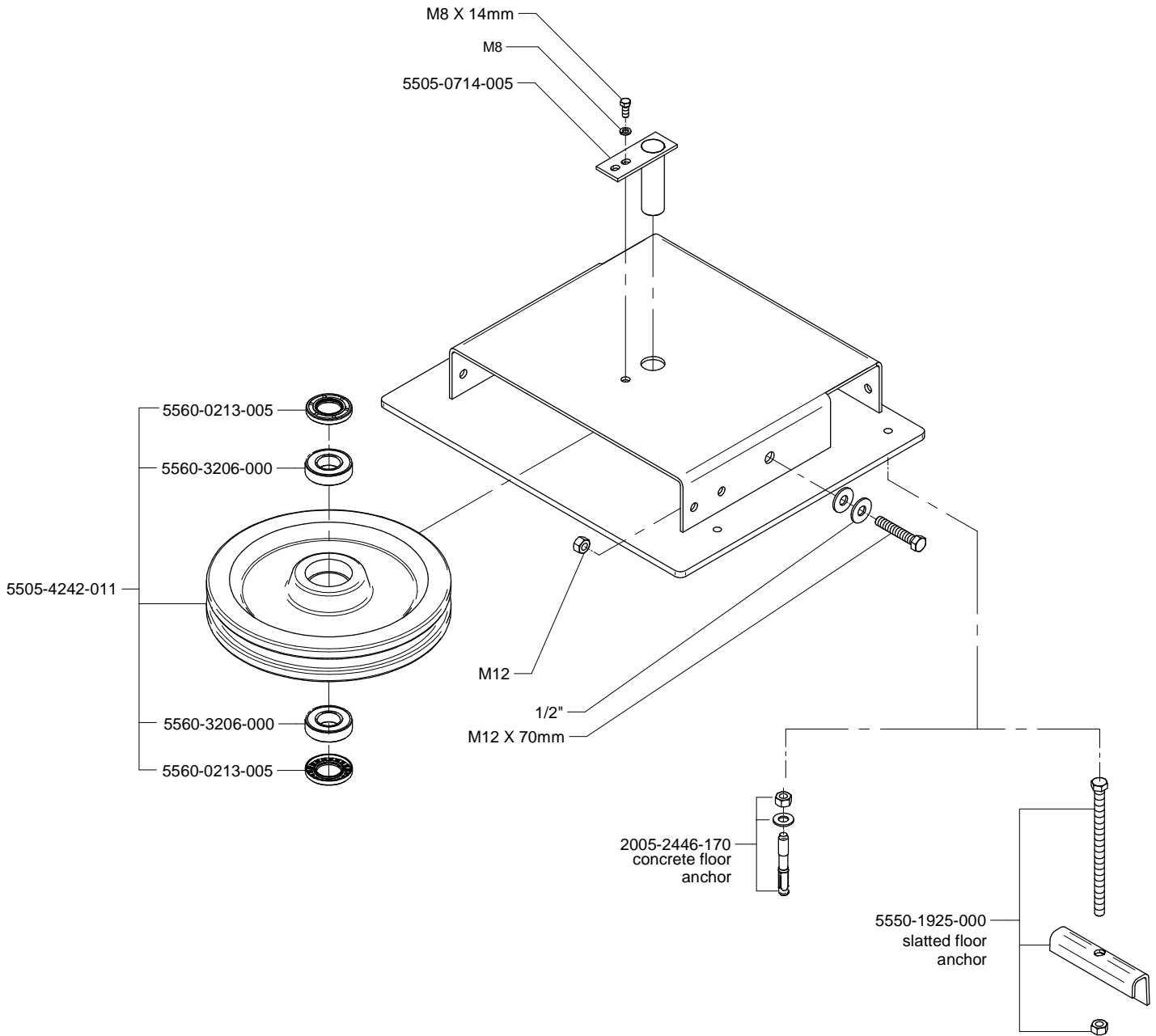


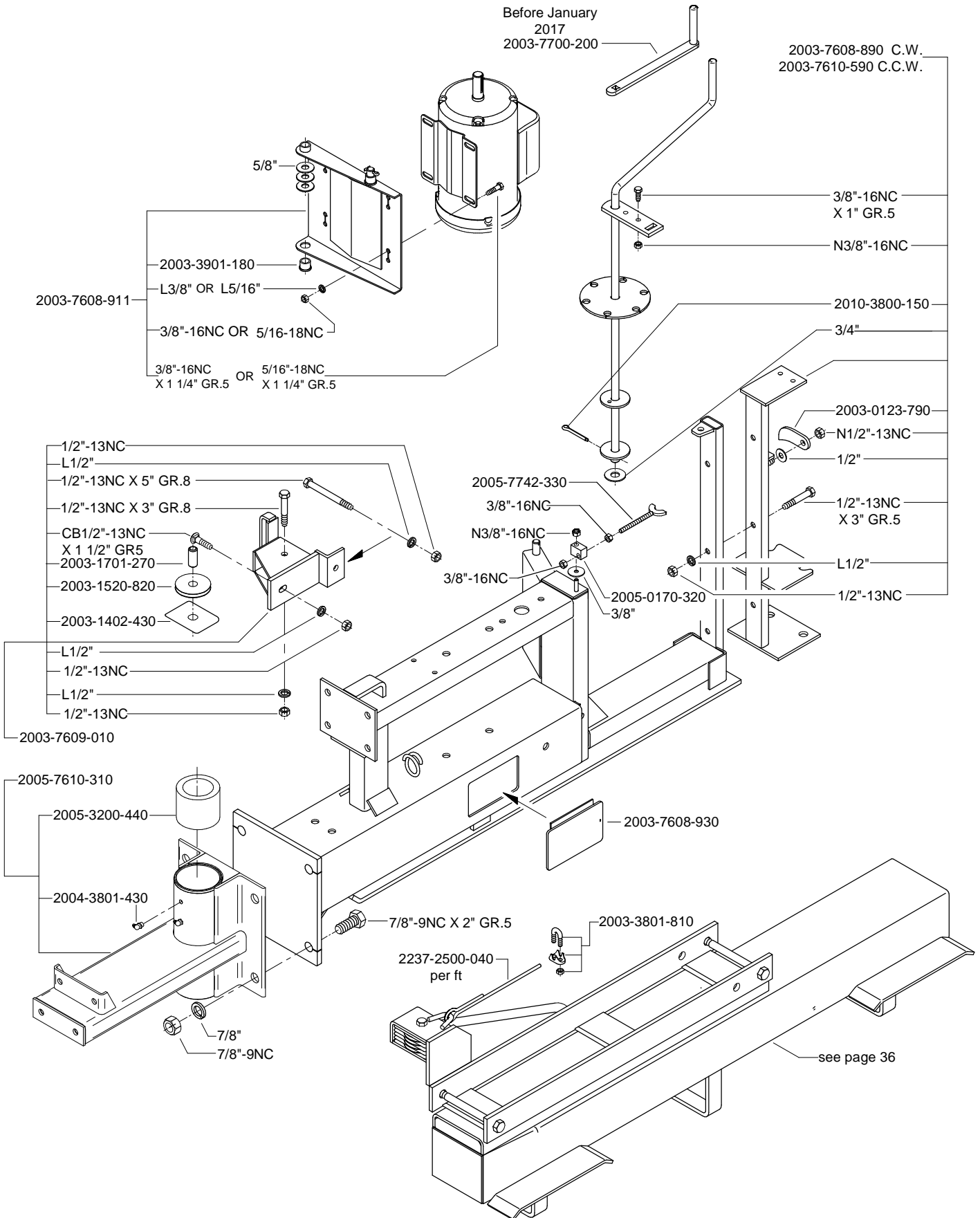


## CORNER BOX AND WHEEL WITH TWO GREASABLE TAPERED ROLLER BEARINGS - 13 MM CHAIN

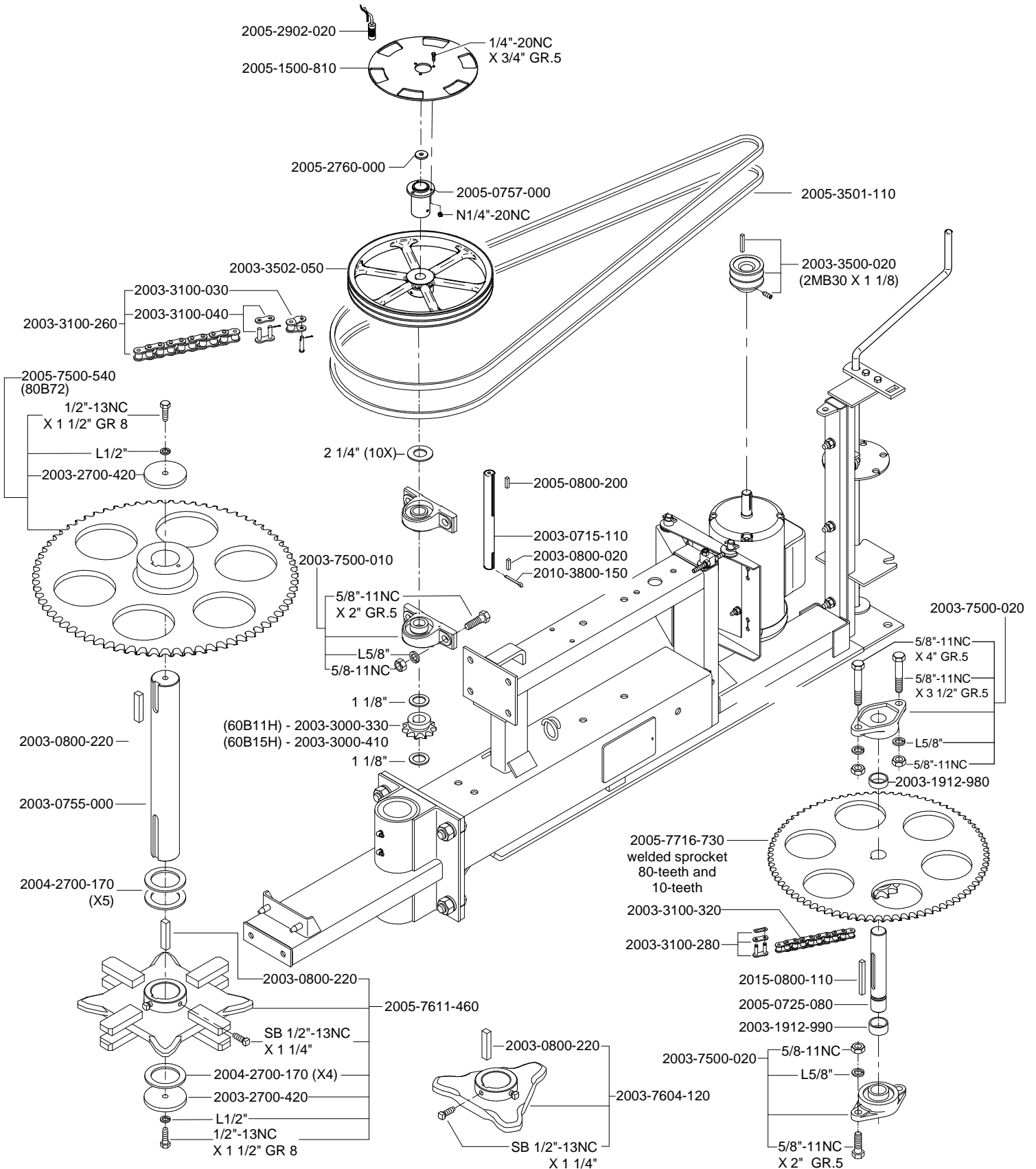


**CORNER BOX AND WHEEL WITH SEALED BALL BEARING - 13 MM CHAIN**

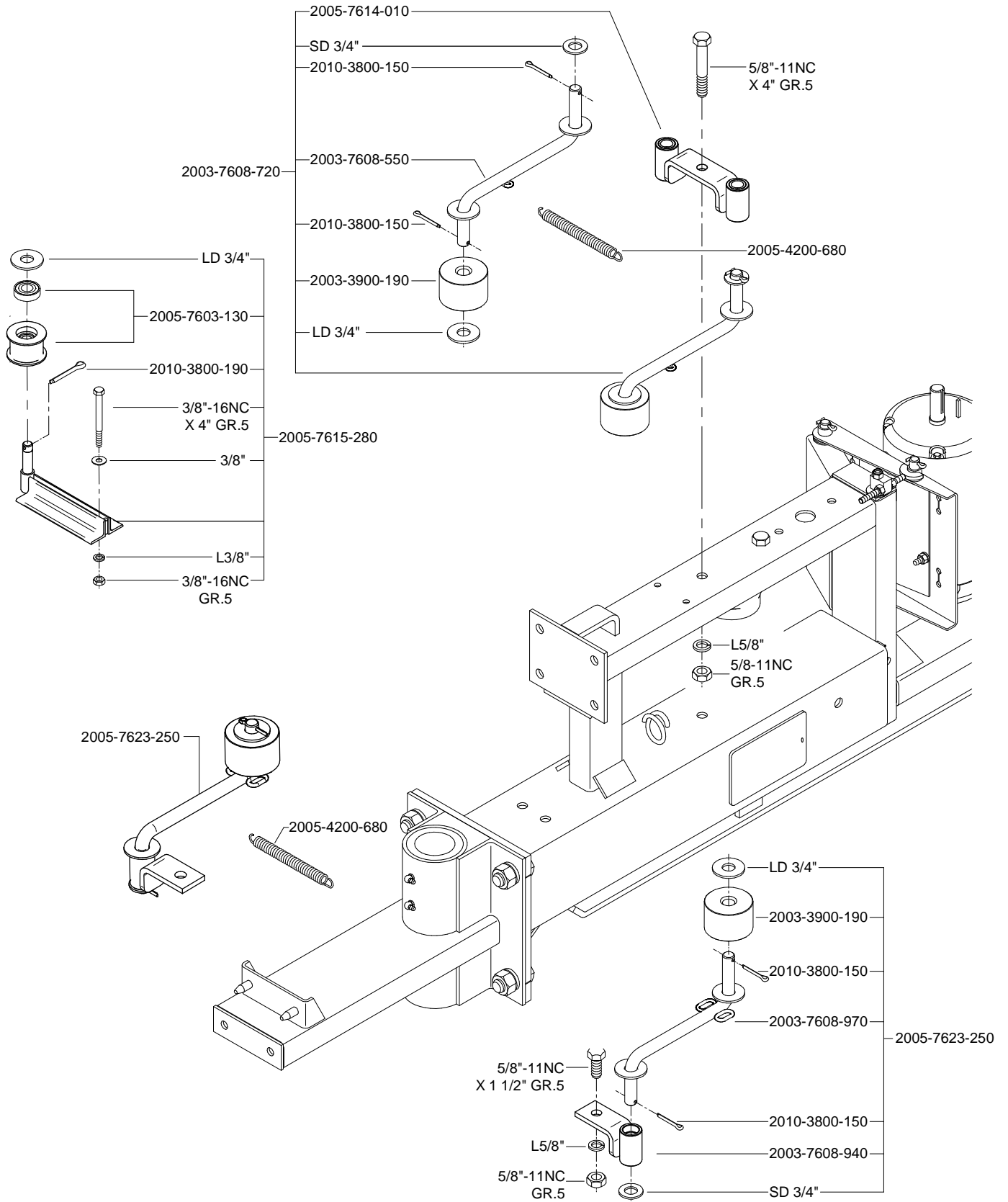




## H-86 REVERSIBLE DRIVE UNIT - SPROCKET AND PULLEY

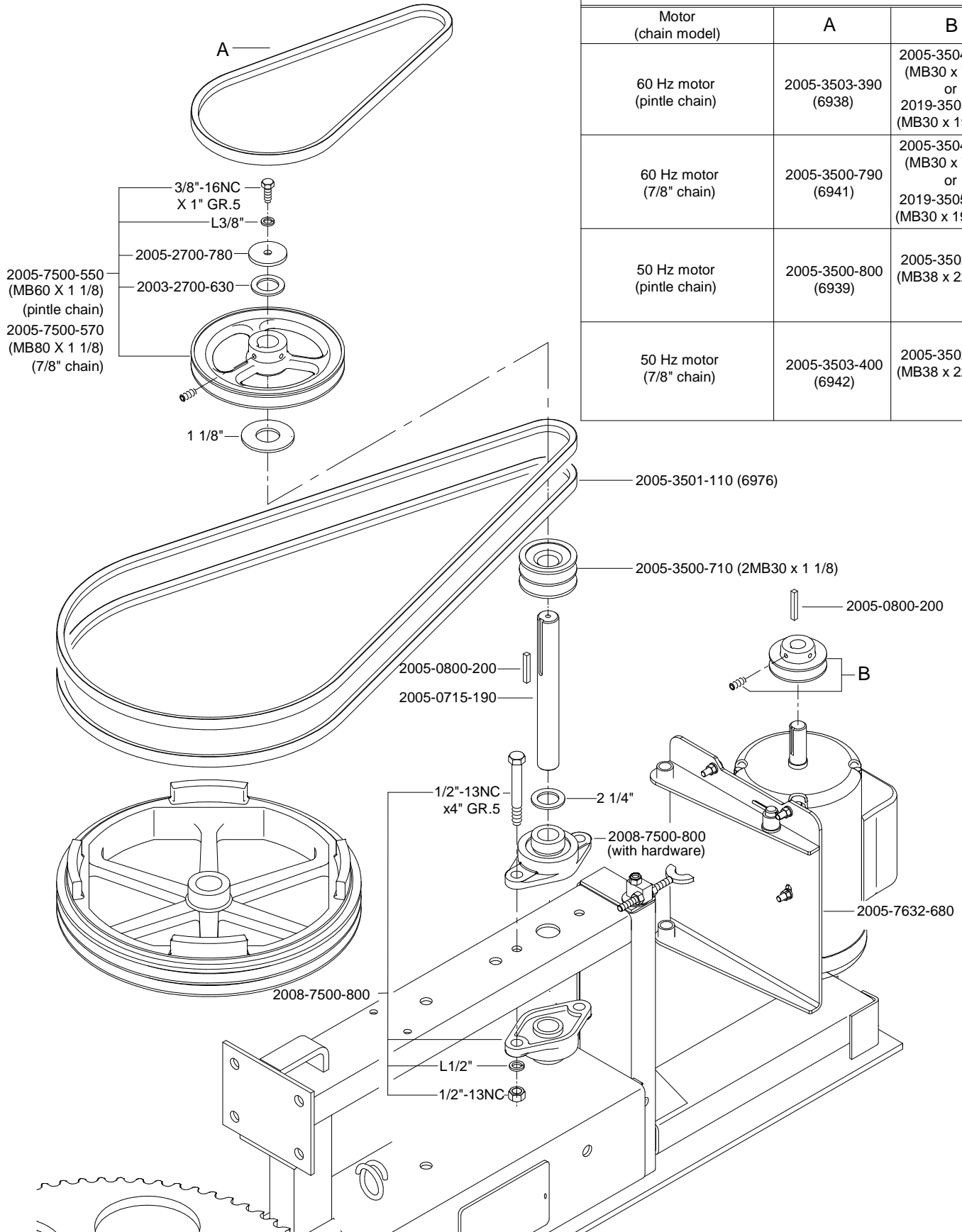


## H-86 REVERSIBLE DRIVE UNIT - TENSIONER



**V-BELT AND PULLEY AS PER MOTOR AND CHAIN**

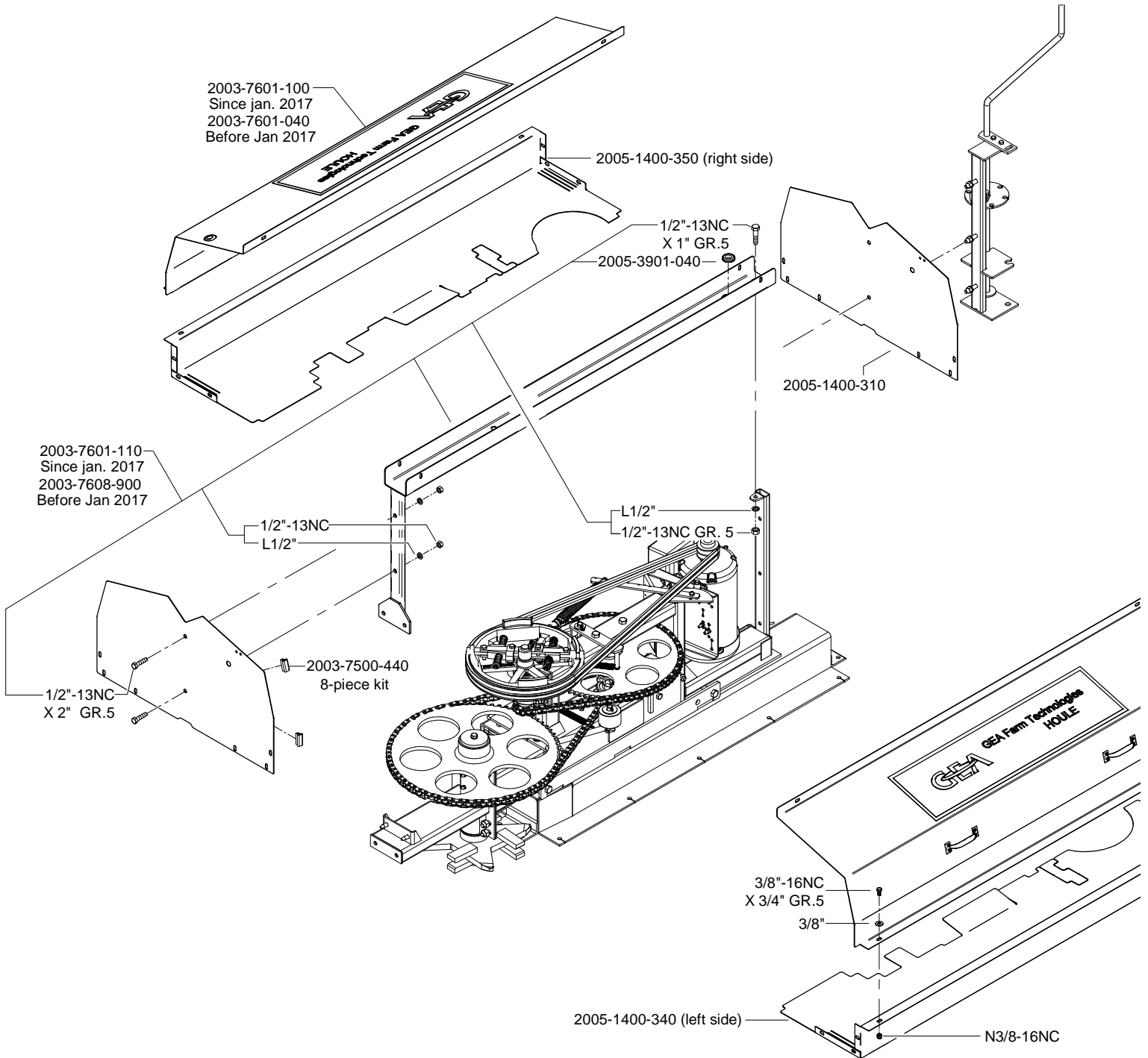
Motor (chain model)	A	B
60 Hz motor (pintle chain)	2005-3503-390 (6938)	2005-3504-310 (MB30 x 7/8") or 2019-3505-170 (MB30 x 19 mm)
60 Hz motor (7/8" chain)	2005-3500-790 (6941)	2005-3504-310 (MB30 x 7/8") or 2019-3505-170 (MB30 x 19 mm)
50 Hz motor (pintle chain)	2005-3500-800 (6939)	2005-3502-430 (MB38 x 22 mm)
50 Hz motor (7/8" chain)	2005-3503-400 (6942)	2005-3502-430 (MB38 x 22 mm)

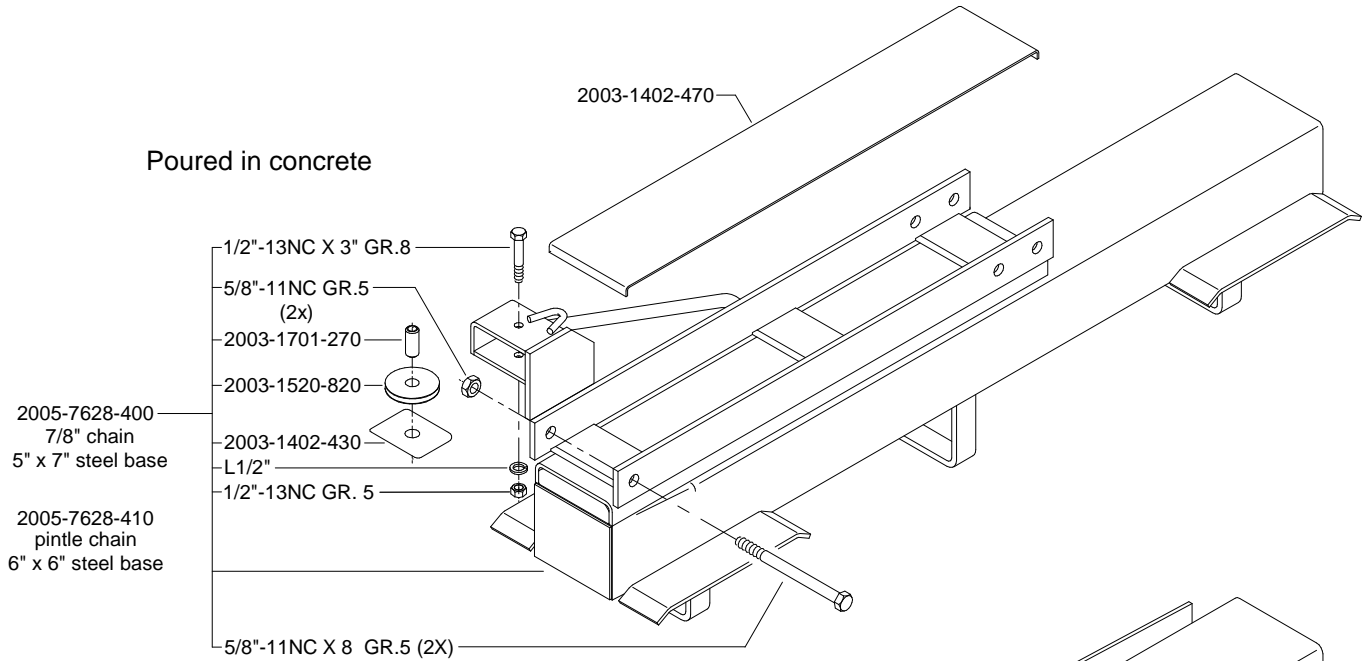




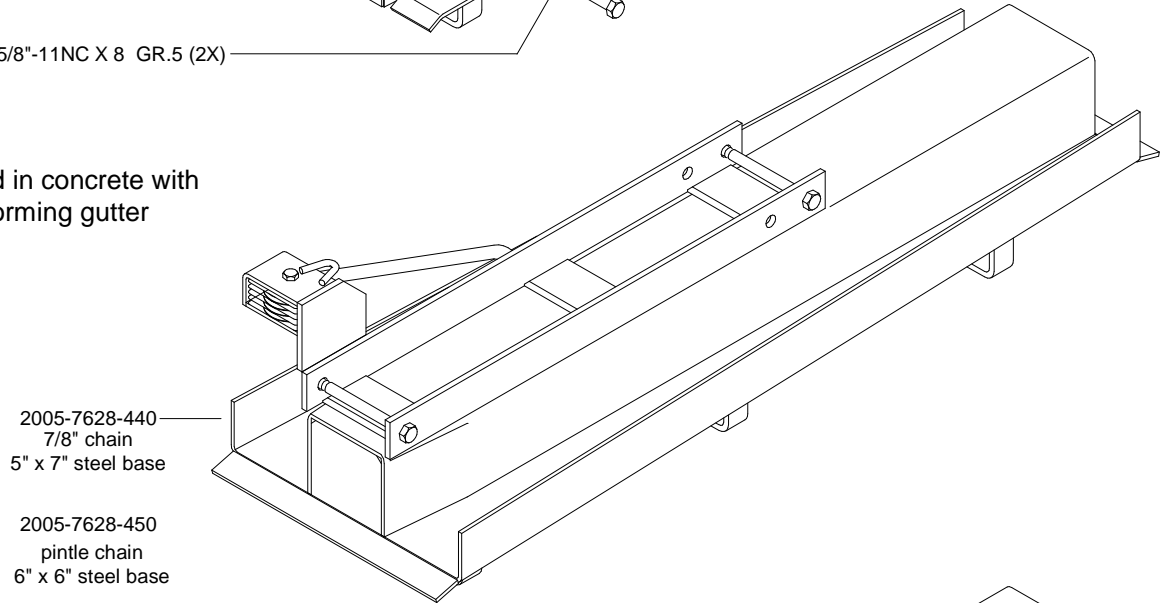
## H-86 REVERSIBLE DRIVE UNIT - PROTECTIVE HOOD

For hood replacement of a drive unit manufactured before December 2012 (up to serial number CA32-1206426), there are 2 replacement kits available. For a drive unit equipped with covers bolted to the hood support, order 2005-7500-050 (all covers and guards, hood support and hardware) and for a drive unit equipped with covers hooked to the hood support, order 2005-7500-040 (all covers, guards and hardware).

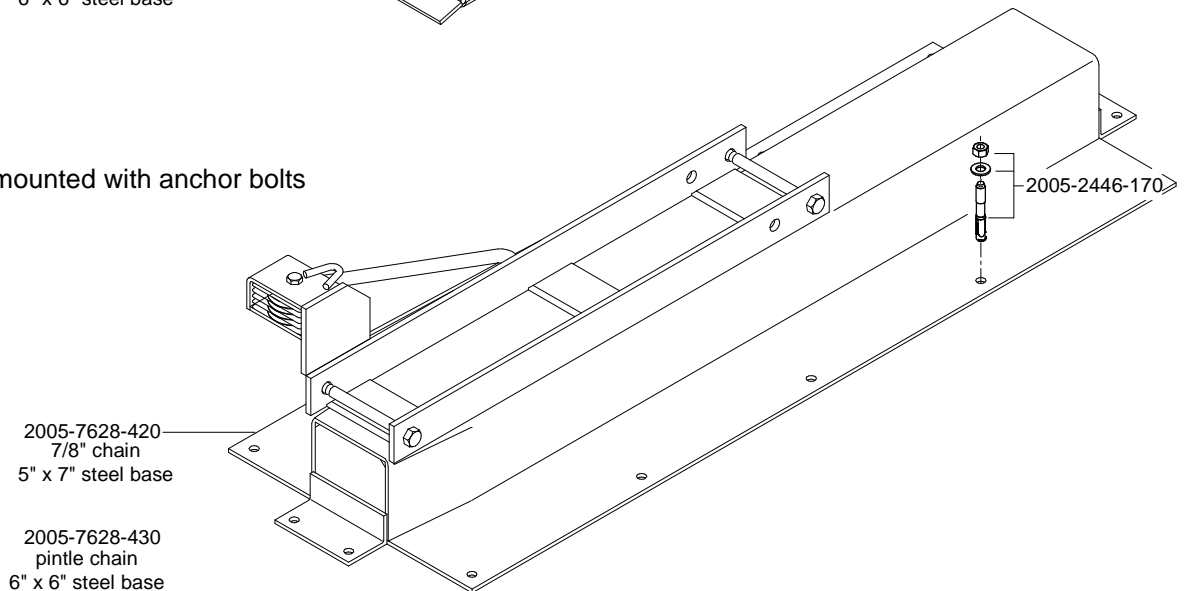




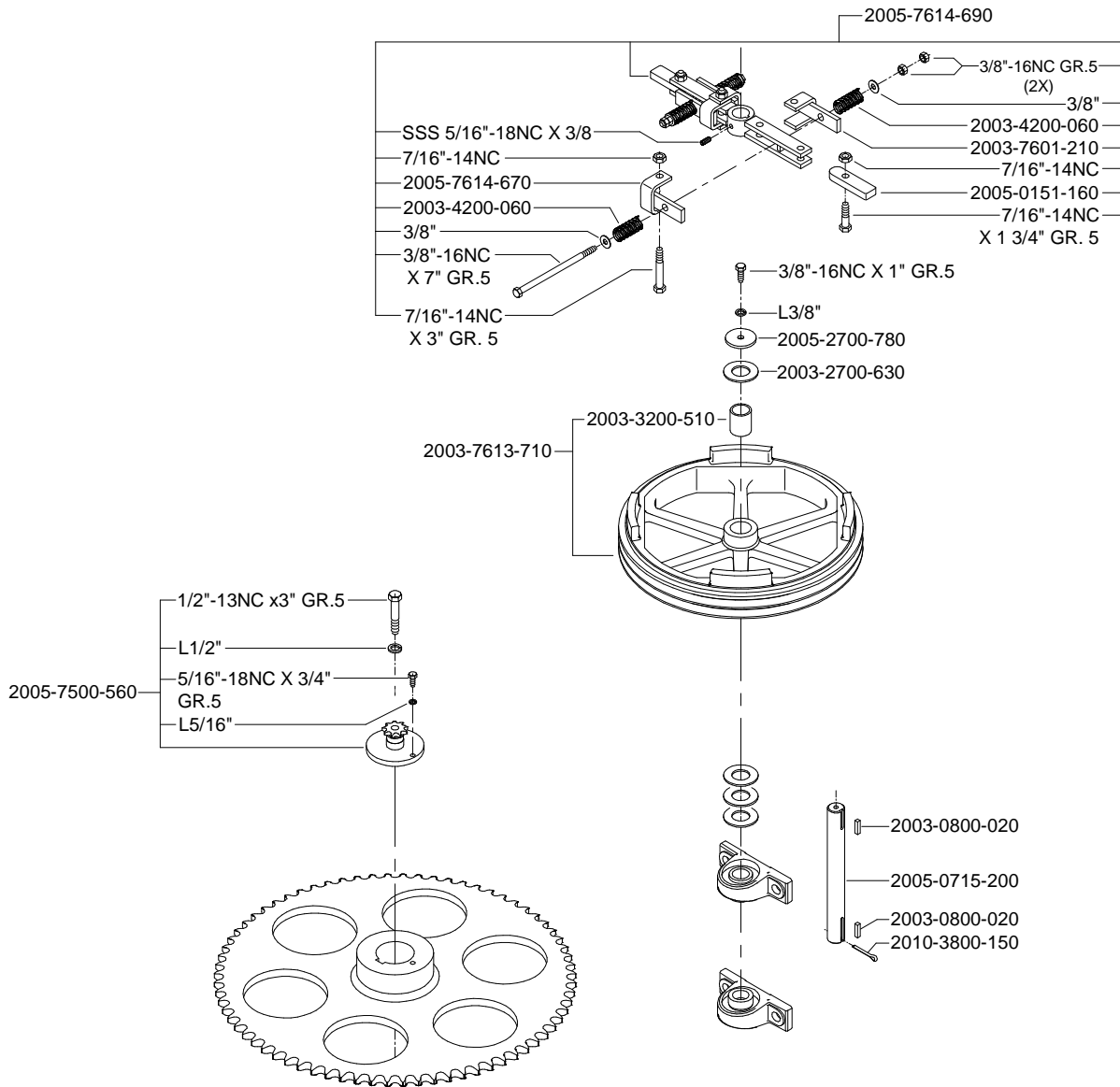
Poured in concrete with steel forming gutter



Floor mounted with anchor bolts

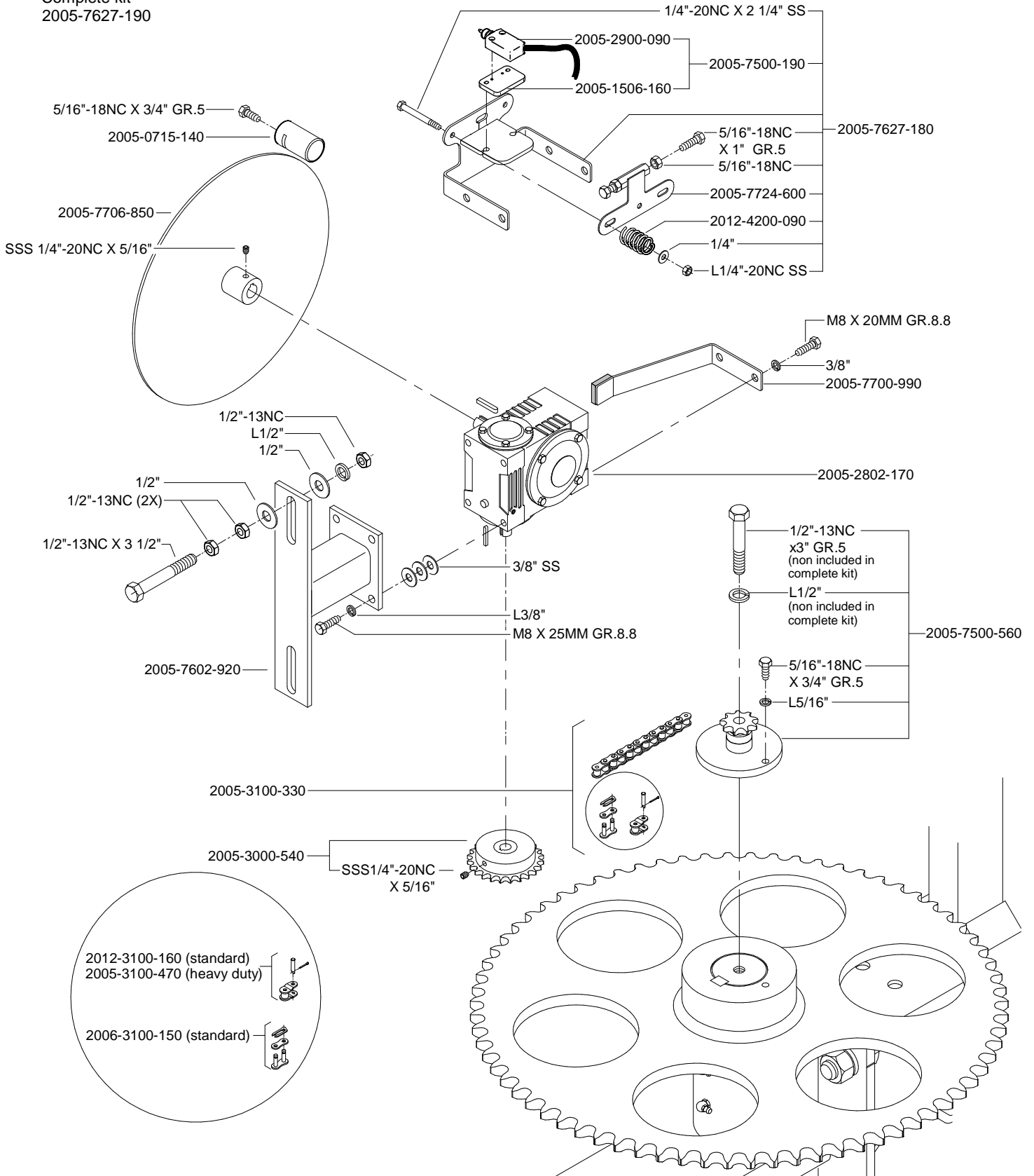


## H-86 REVERSIBLE DRIVE UNIT - CLUTCH AND SHAFTS BEFORE JANUARY 2017

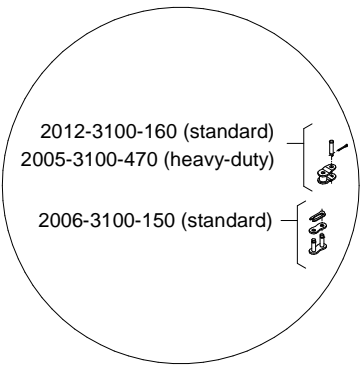
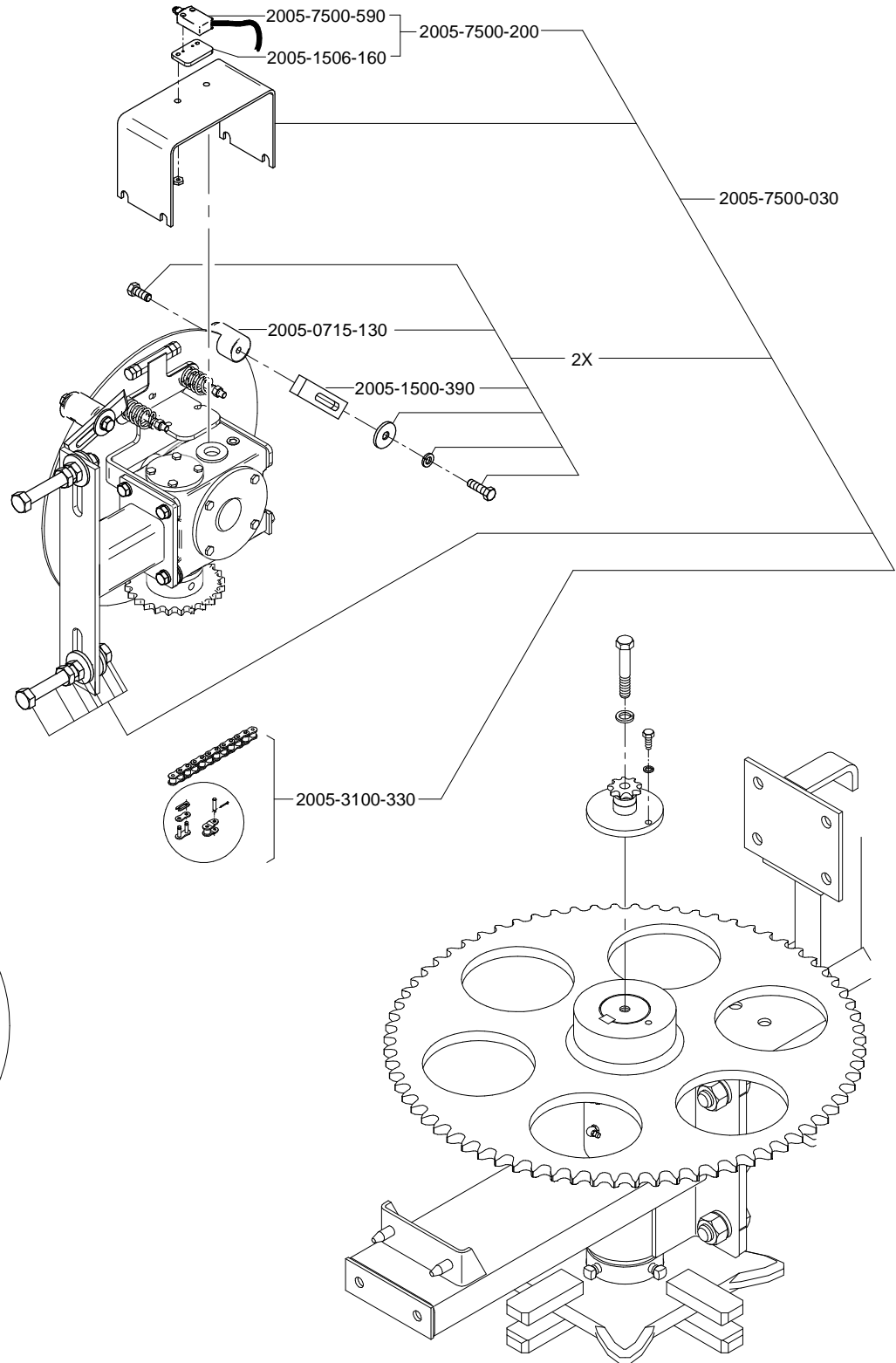


## H-86 REVERSIBLE DRIVE UNIT - STROKE LIMIT SWITCH BEFORE JANUARY 2017

Complete kit  
2005-7627-190



**H-86 REVERSIBLE DRIVE UNIT - AUXILIARY START SIGNAL SWITCH BEFORE JANUARY 2017**



## VERTICAL DRIVE UNIT 13 mm CHAIN

