

Table of contents..... 01

Drive Training System.....02

Tension System..... 03

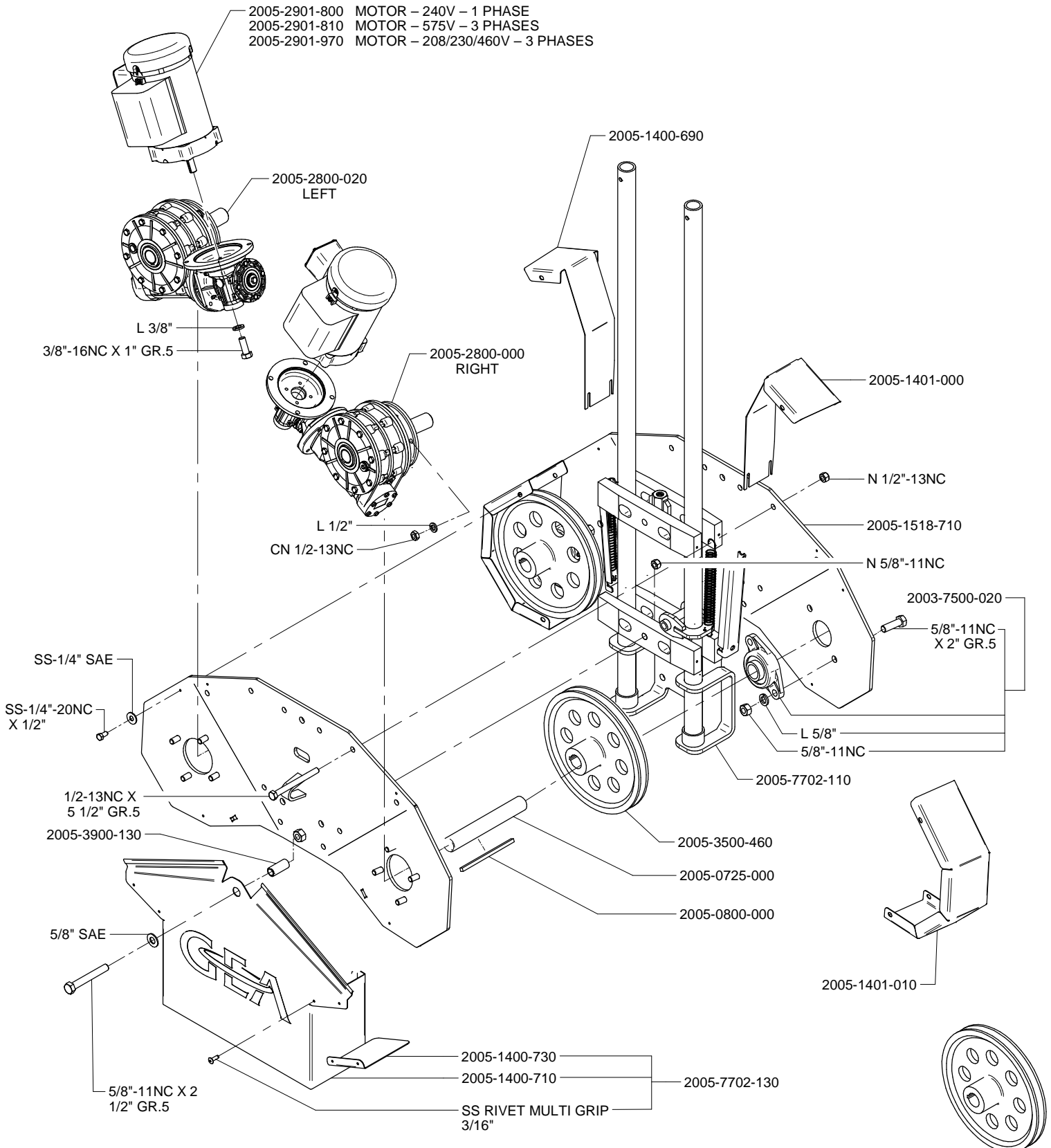
Vertical Wheel 16".....04

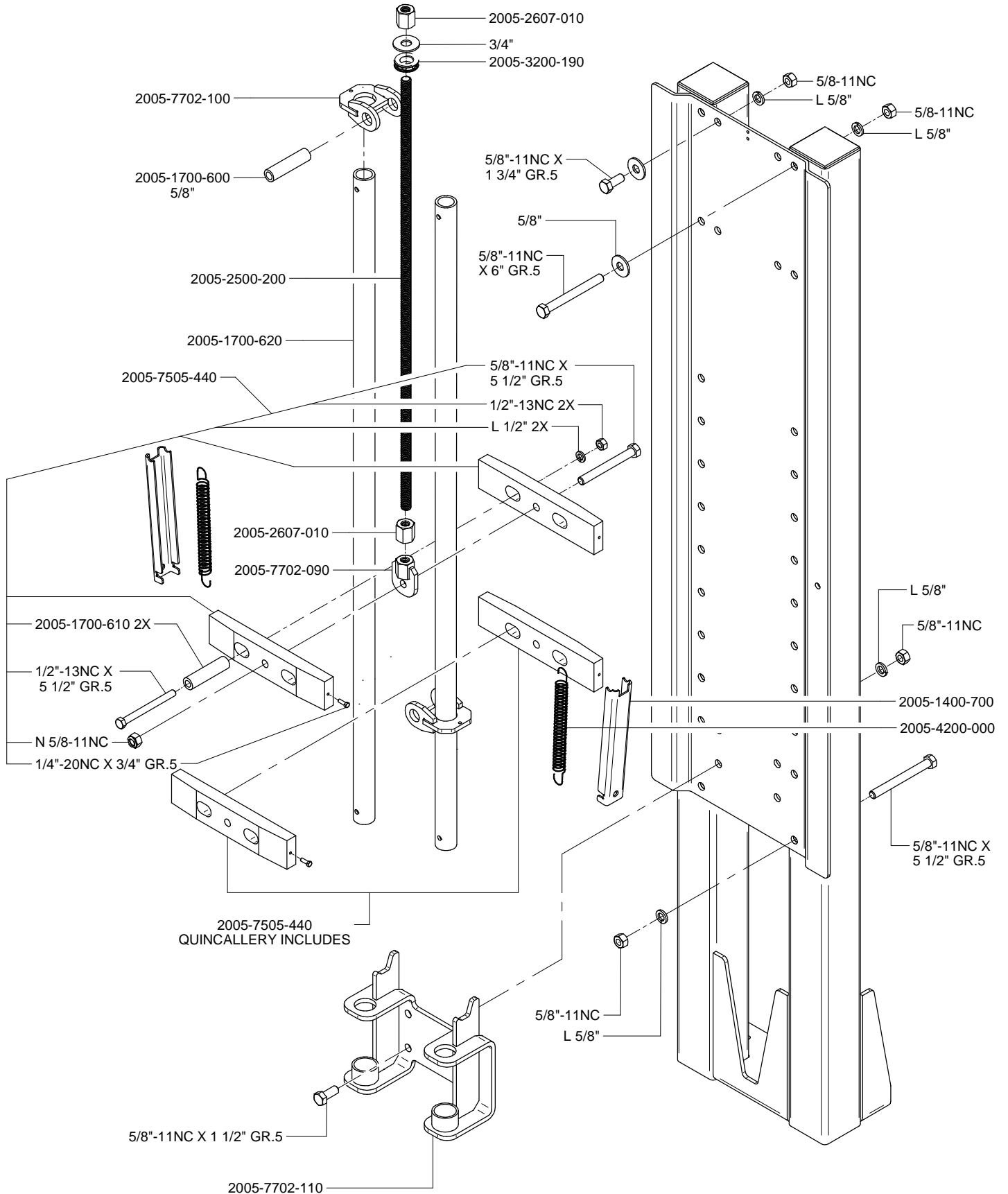
Corner Wheel 16".....05

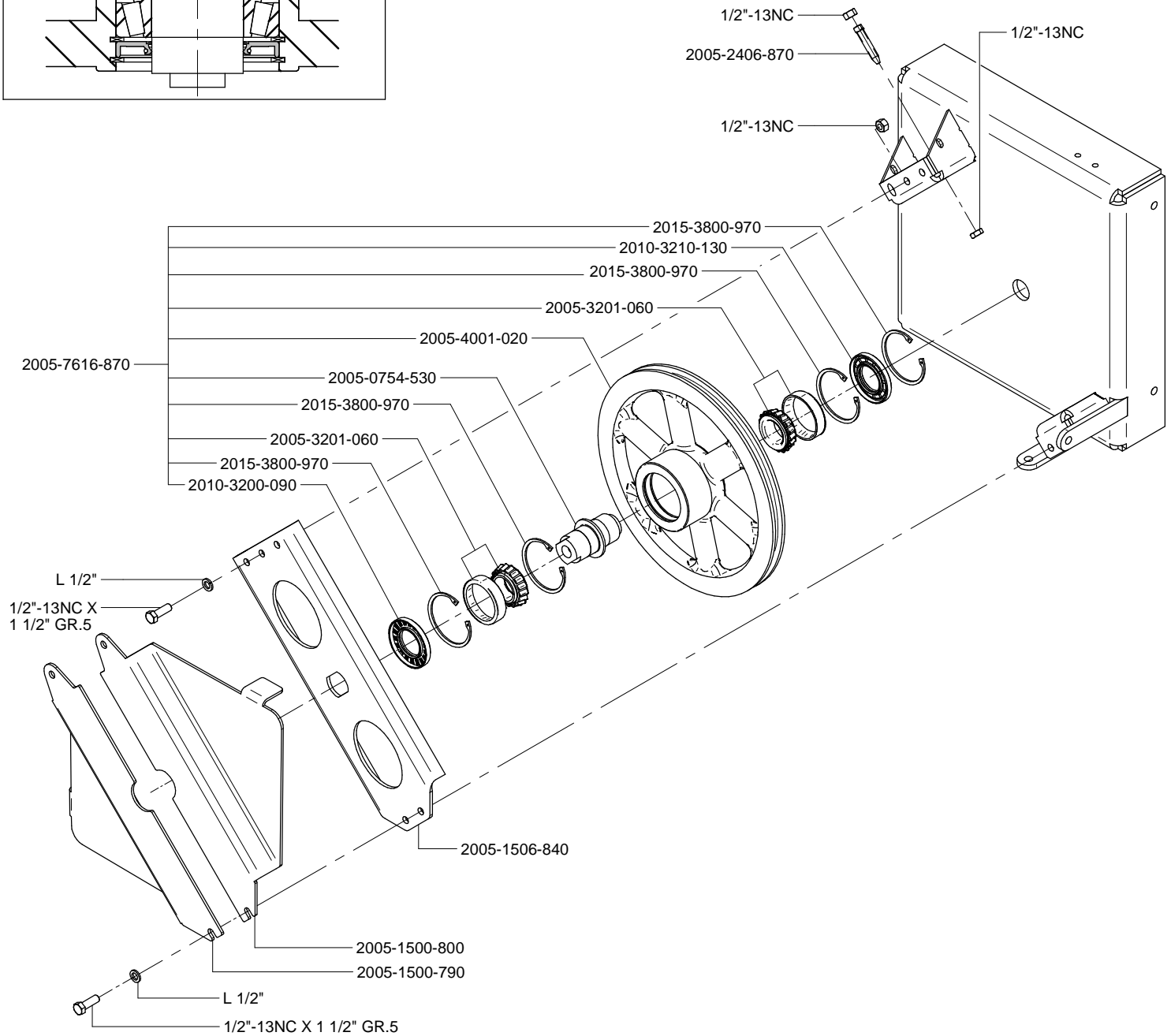
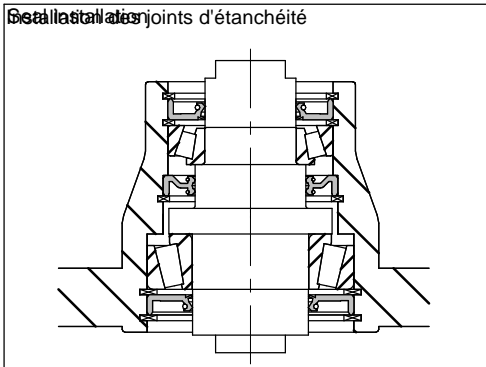
Corner Wheel 21".....06

Stop System.....07

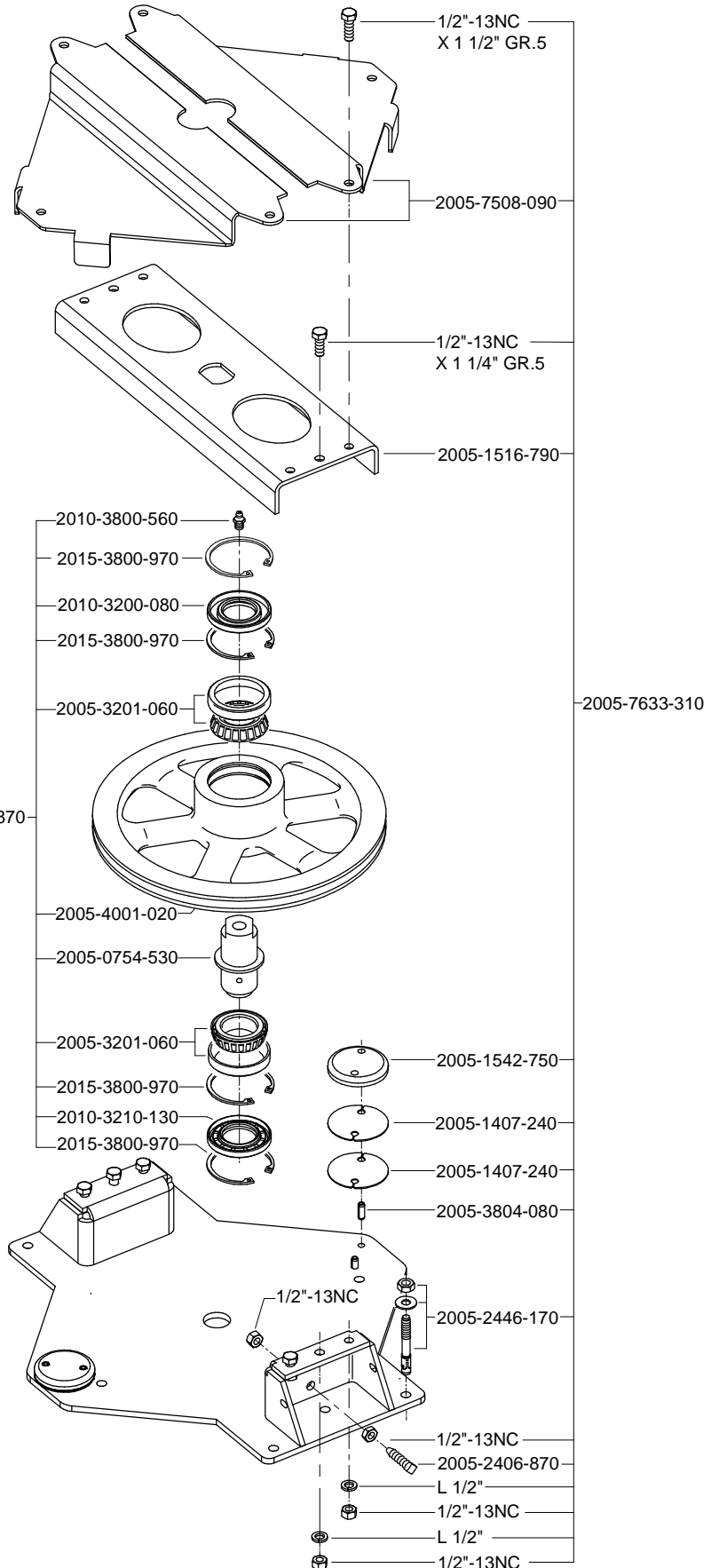
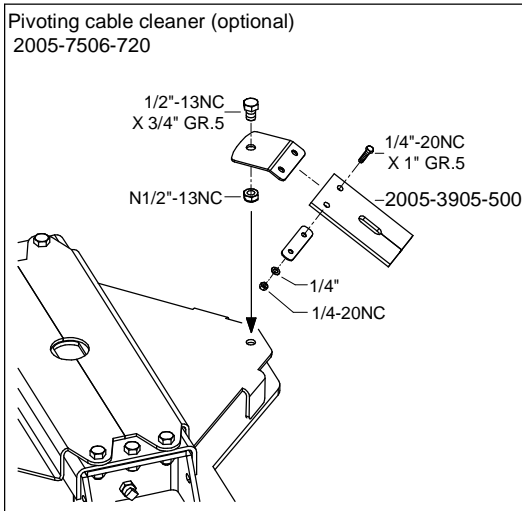
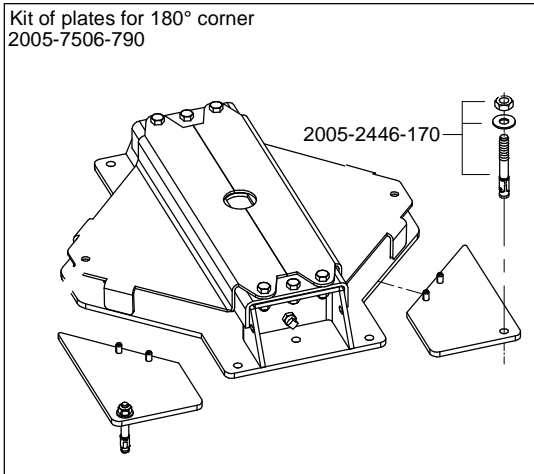
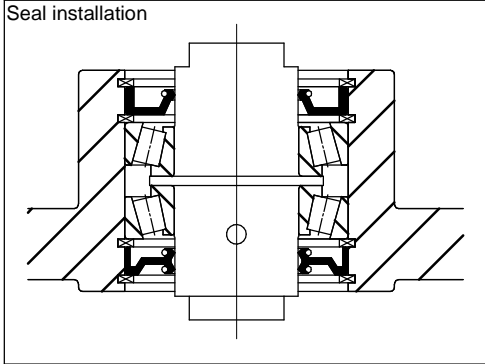
Hardware Identification	
Type	Designation
Hexagonal bolt	-
Carriage bolt	CB
Square head bolt	SB
Socket head cap screw	SCS
Socket head set screw	SSS
Flat head cap screw	FCS
Hexagon nut	-
Hexagon nylon lock nut	N
Hexagon oval lock nut	OVL
Hexagon tri-lock nut	TRI
Castle nut	CSL
Flange nut	FLN
Wing nut	WNG
Counter nut	CN
Flat washer	-
Lock washer	L
SAE washer	SAE
Large ext. dia. washer	LD
Small ext. dia. washer	SD
Stainless steel bolts parts	SS







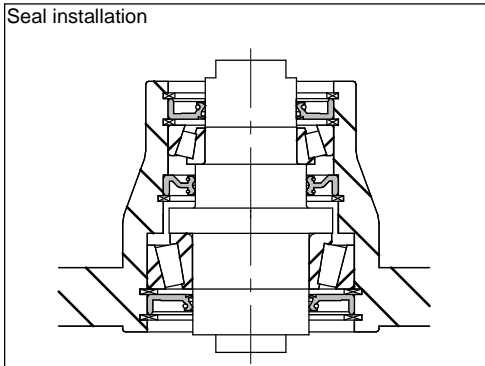
2005-7633-320
COMPLETE CORNER BOX
WITH WHEEL AND BOLTS



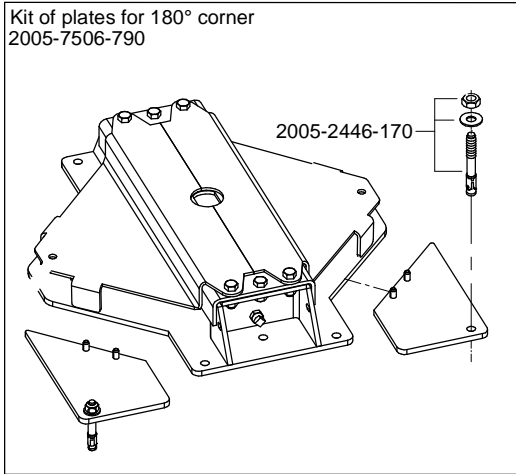
CORNER WHEEL 21 "

2005-7633-520
COMPLETE CORNER BOX
WITH WHEEL AND BOLTS

Seal installation



Kit of plates for 180° corner
2005-7506-790



Pivoting cable cleaner (optional)
2005-7506-720

