



VERTICAL PTO PUMPS TABLES OF CONTENTS

Table of contents.....	01-02
Vertical Agi-Pompe.....	03
Impeller, Housing & Bottom Plate - Agi-pompe.....	04
Gear Box #200 - Agi-pompe.....	05
Gear Box #250 - Agi-pompe.....	06
Gear Box #300 - Agi-pompe.....	07
Vertical 6" Super Pump.....	08
Impeller, Housing & Bottom Plate - 6" Super Pump.....	09
Gear Box #200 - 6" Super Pump.....	10
Bearing Housing - 6" Super Pump.....	11
Vertical 8" Super Pump.....	12
Impeller, Housing & Bottom Plate - 8" Super Pump.....	13
Gear Box #250 - 8" Super Pump.....	14
Bearing Housing - 8" Super Pump.....	15
Discharge pipe and manuel controls.....	16
6" Directional Valve - Option Pump for Narrow Opening.....	17
8" Directional Valve.....	18
Twin nozzle option for directional valve.....	19
Agitation Nozzle.....	20
Surface Agitation Nozzle - Before April 2015.....	21
Oil Cooling System and Grease Line - Agi-Pompe.....	22
Oil Cooling System and Grease Line - Super Pump.....	23
Cooling pump replacement kit.....	24
Hydraulic Control Option - Agi-Pompe.....	25
Hydraulic Control Option - Super Pump.....	26
Tilting 3-Point Hitch.....	27
Sliding 3-Point Hitch.....	28
Trailer.....	29
Tilting 2-Point Hitch.....	30
Pump for semi Aboveground Tank (Wall 11") - Before April 2015.....	31
Oil Cooling System - Pump for Above Ground Tank.....	32
Additional Gear Box Option.....	33
Gear Box #300 - Additional Gear Box Option.....	34
Bearing Housing Kit to Split Long Drive Shaft.....	35
Stationary Pump Accessories - Warm barn.....	36
Stationary Pump Accessories - Cold barn.....	37
Stationary Pump Accessories.....	38

Electric Super Pump Accessories..... 39

Jacks - 2000 Lbs..... 40

Speed Reducer..... 41

Hydraulic Control..... 42

6" Cast Iron Gate Valve..... 43

8" Steel Gate Valve..... 44

Discharge Pipe Chart..... A

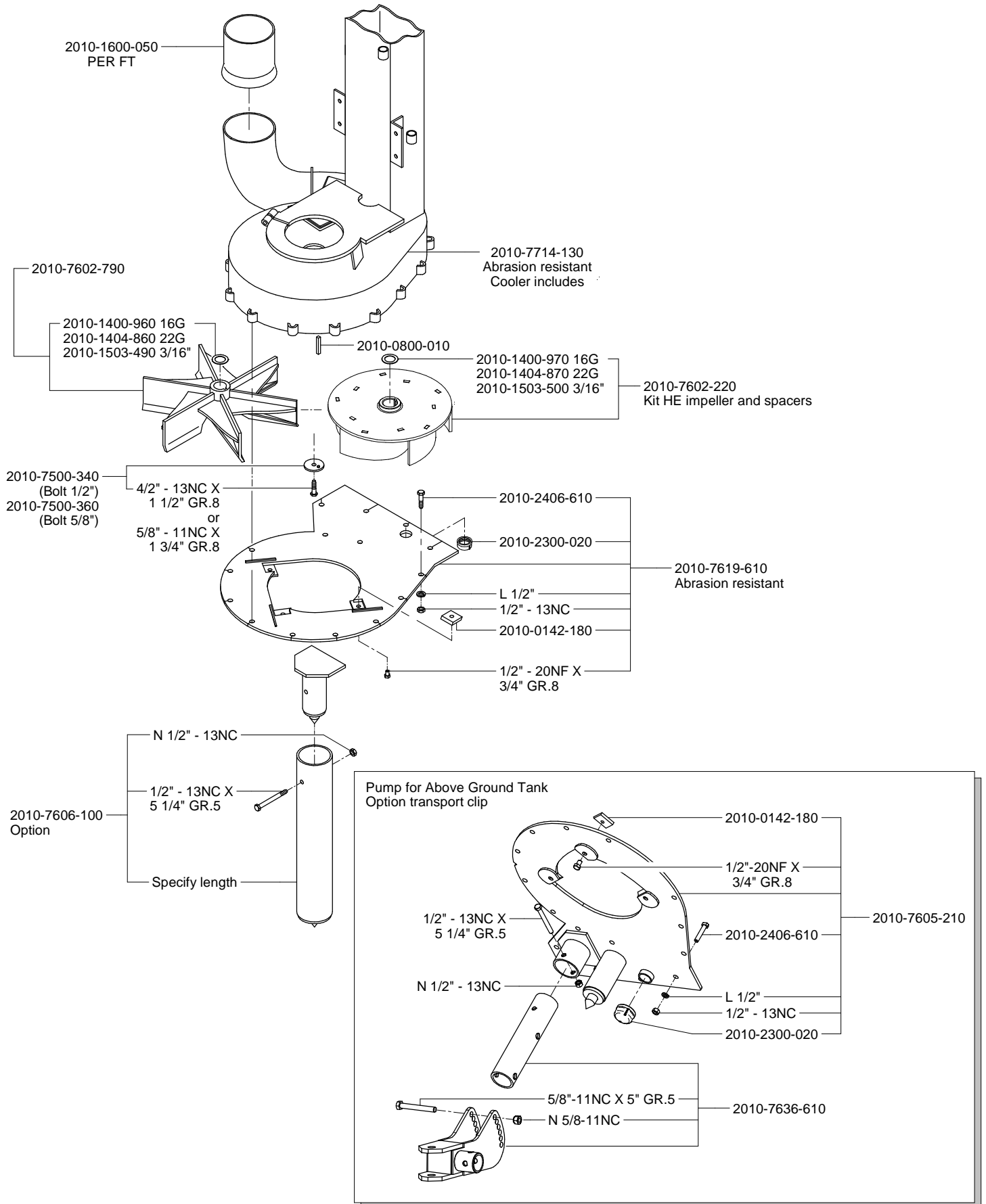
Rod Chart..... B-C

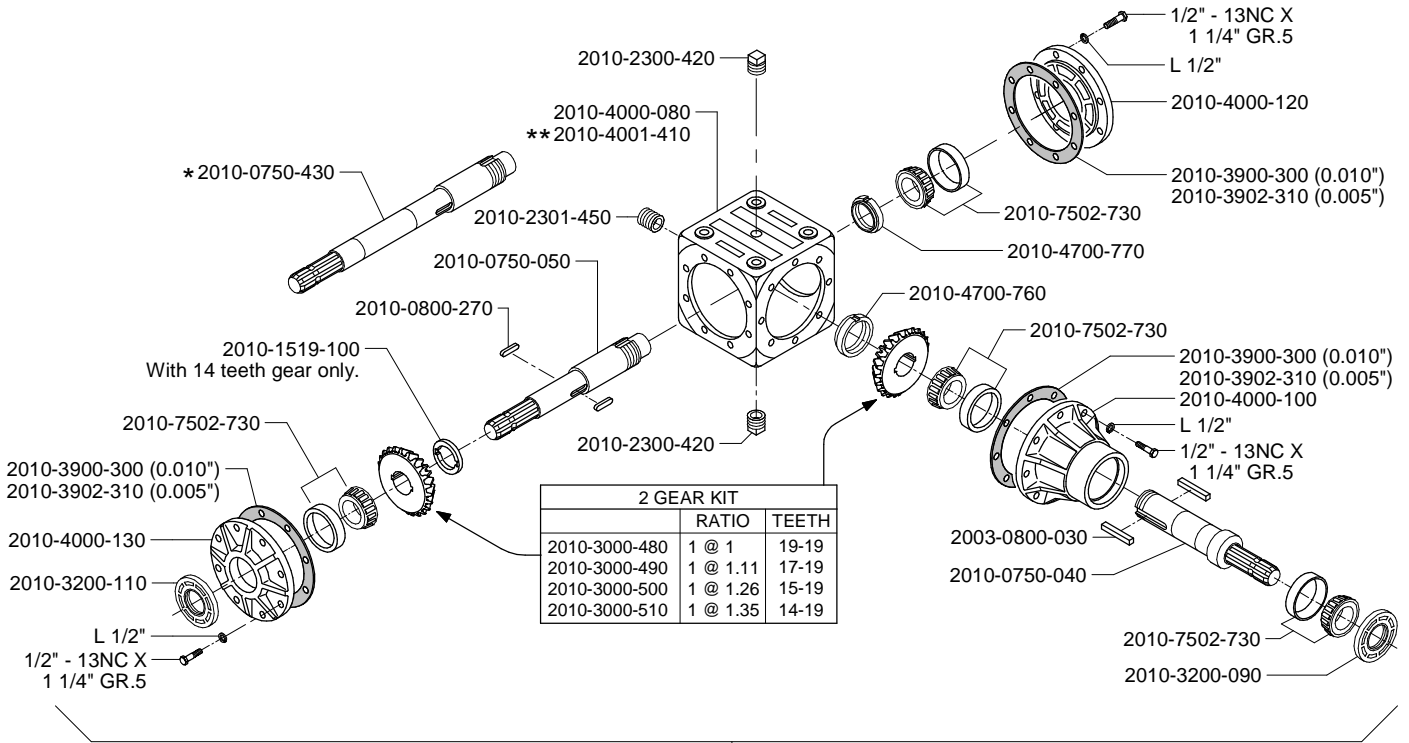
Discharge Pipe with Second Nozzle chart..... D

Trailerbefore October 2015..... E

Hardware Identification	
Type	Designation
Hexagonal bolt	-
Carriage bolt	CB
Square head bolt	SB
Socket head cap screw	SCS
Socket head set screw	SSS
Flat head cap screw	FCS
Hexagon nut	-
Hexagon nylon lock nut	N
Hexagon oval lock nut	OVL
Hexagon tri-lock nut	TRI
Castle nut	CSL
Flange nut	FLN
Wing nut	WNG
Flat washer	-
Lock washer	L
SAE washer	SAE
Large ext. dia. washer	LD
Small ext. dia. washer	SD
Stainless steel bolts parts	SS

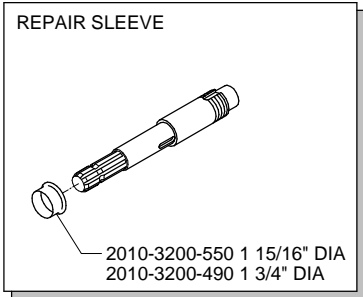
IMPELLER, HOUSING & BOTTOM PLATE - Agi-Pompe





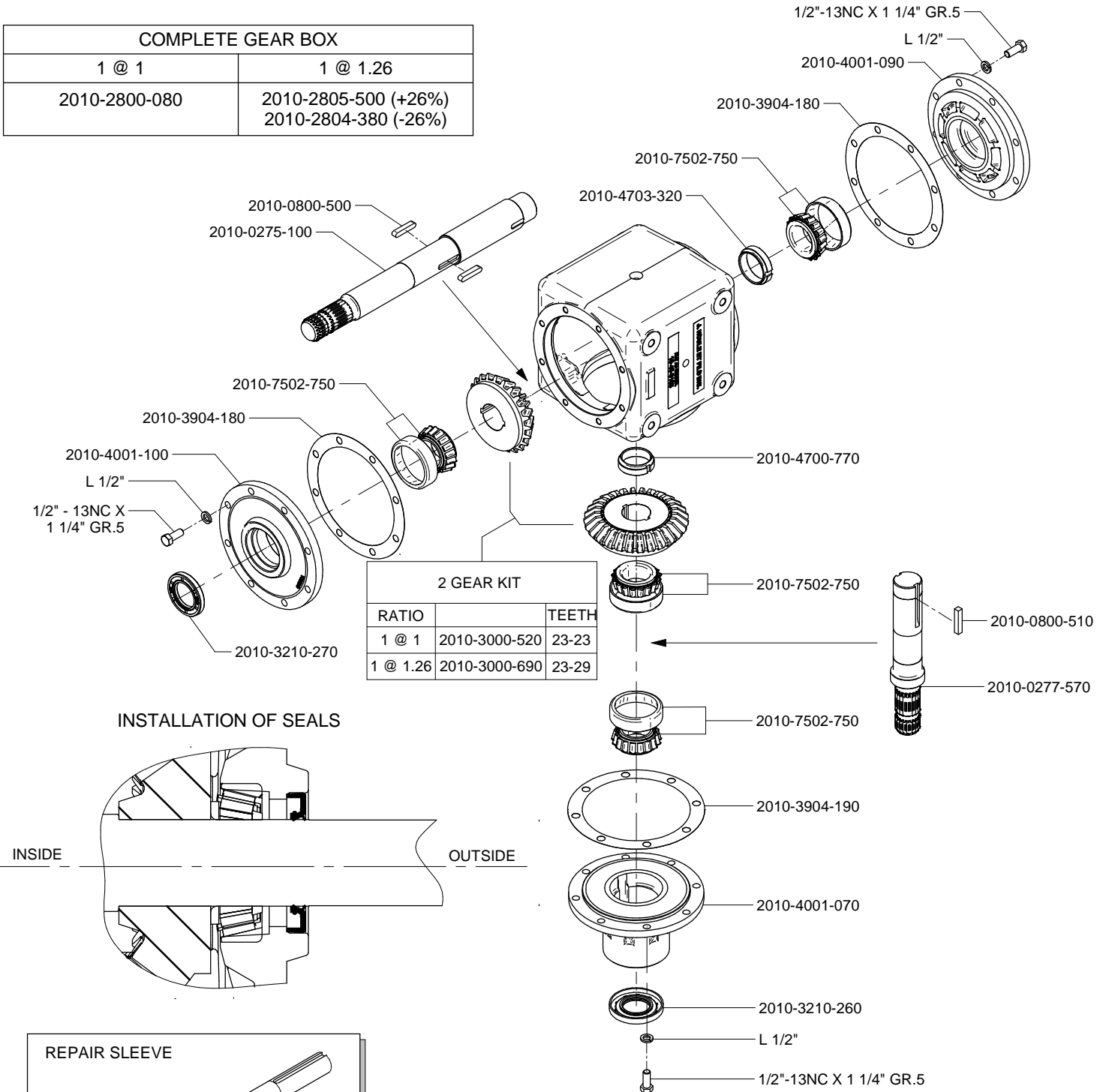
2 GEAR KIT		
	RATIO	TEETH
2010-3000-480	1 @ 1	19-19
2010-3000-490	1 @ 1.11	17-19
2010-3000-500	1 @ 1.26	15-19
2010-3000-510	1 @ 1.35	14-19

COMPLETE GEAR BOX			
RATIO 1 @ 1	RATIO 1 @ 1.11	RATIO 1 @ 1.26	RATIO 1 @ 1.35
2010-2800-040	2010-2800-170 (+10%)	2010-2800-330 (+26%)	2010-2800-380 (-35%)
** 2010-2804-620	* 2010-2804-220 (+10%)	* 2010-2804-230 (+26%)	* 2010-2804-250 (-35%)
* 2010-2804-190	2010-2800-130 (-10%)	2010-2800-370 (-26%)	
	* 2010-2804-200 (-10%)	* 2010-2804-240 (-26%)	

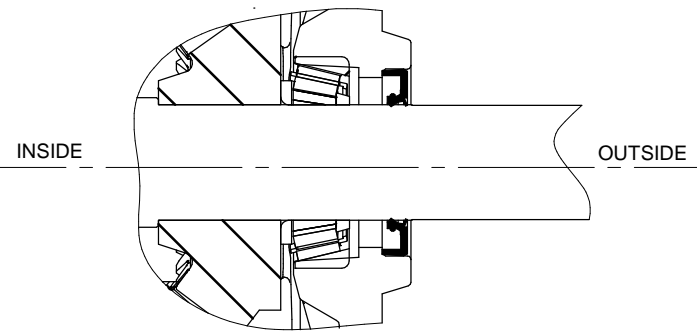


* TRAILER PUMP ONLY
 ** TOP GEAR BOX FOR OUTSIDE FRAMEWORK - PUMP FOR ABOVE GROUND TANK - SEE PAGE 29

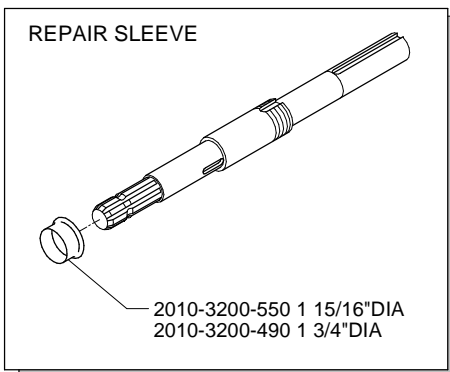
COMPLETE GEAR BOX	
1 @ 1	1 @ 1.26
2010-2800-080	2010-2805-500 (+26%) 2010-2804-380 (-26%)

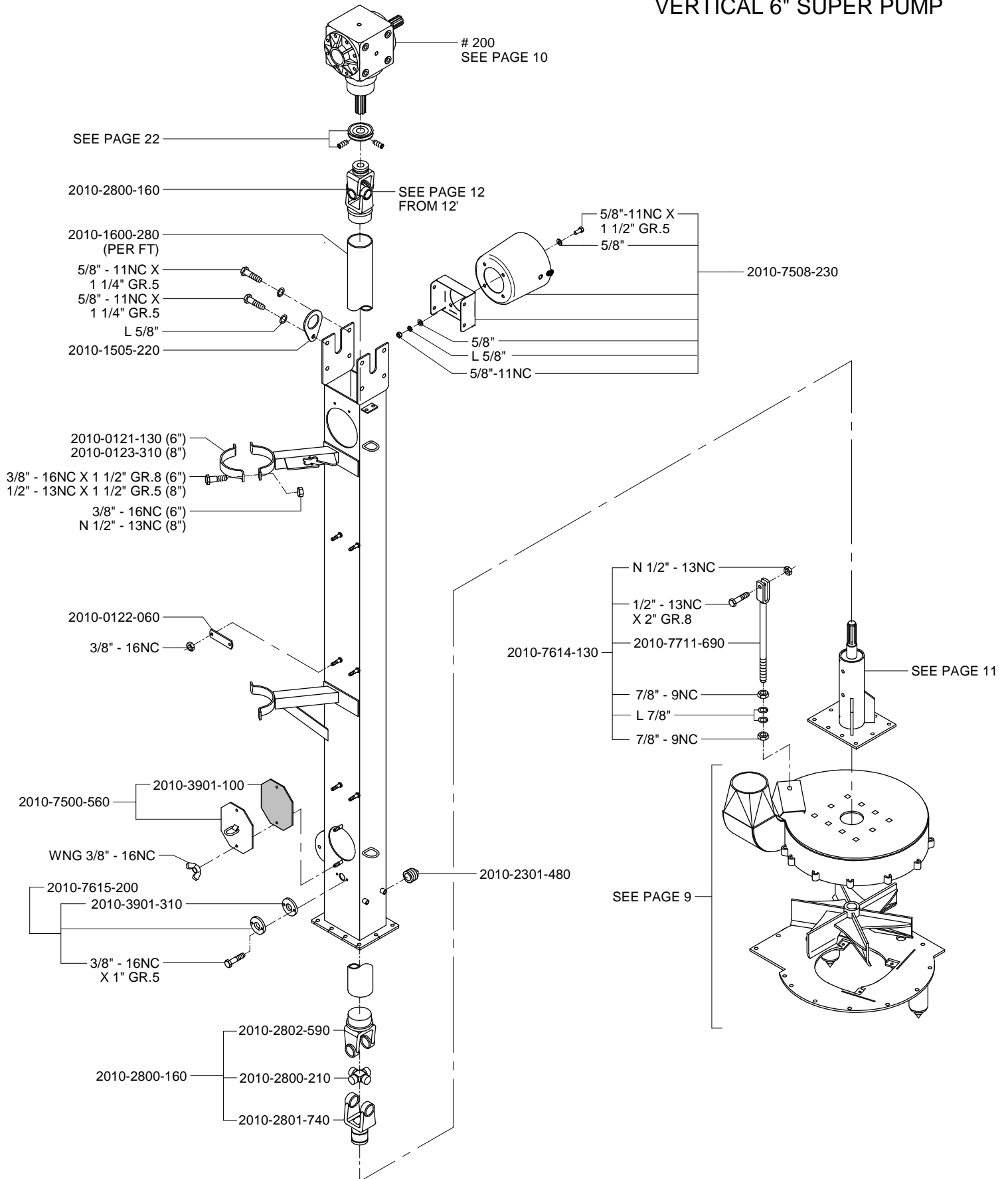


INSTALLATION OF SEALS

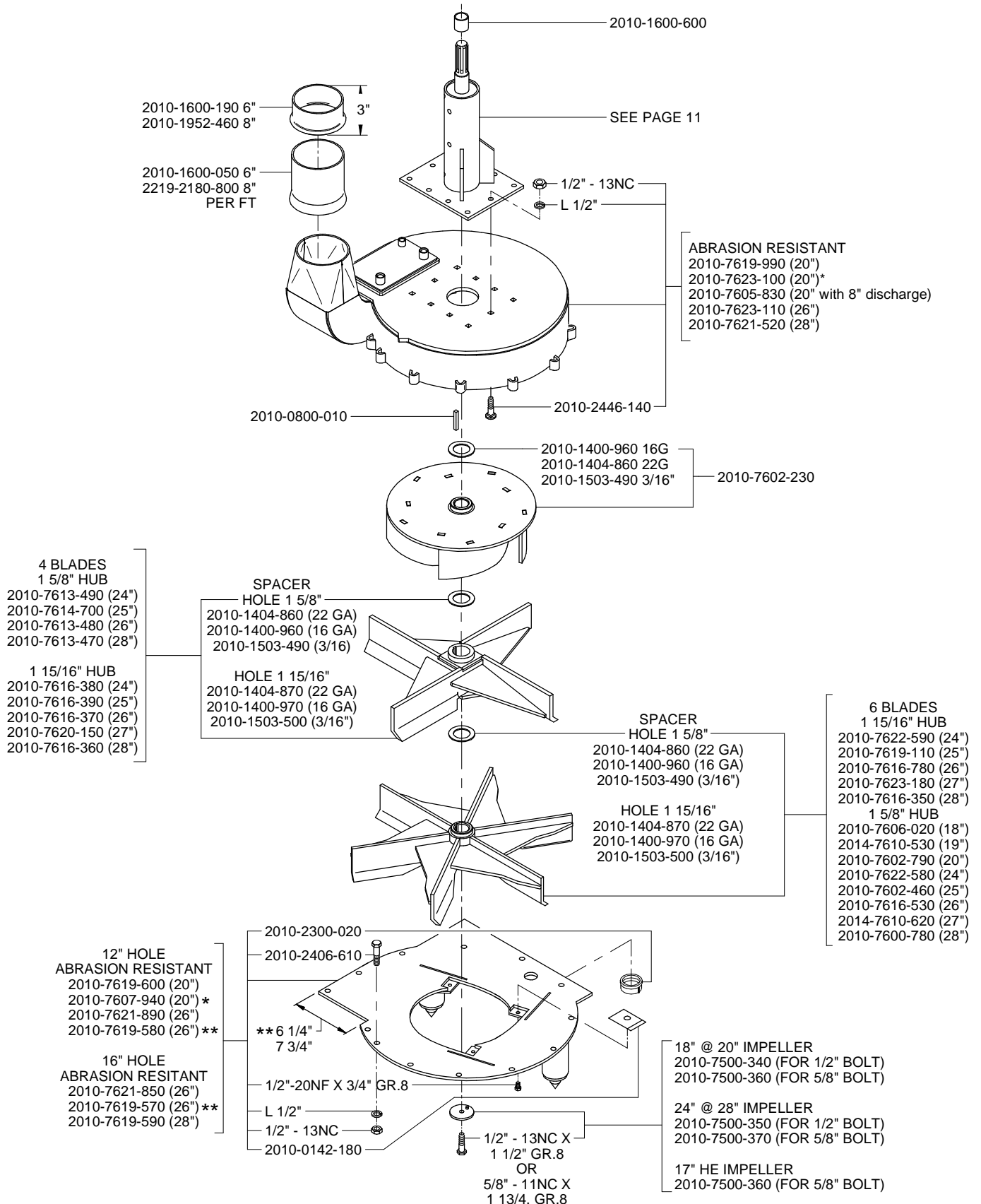


REPAIR SLEEVE

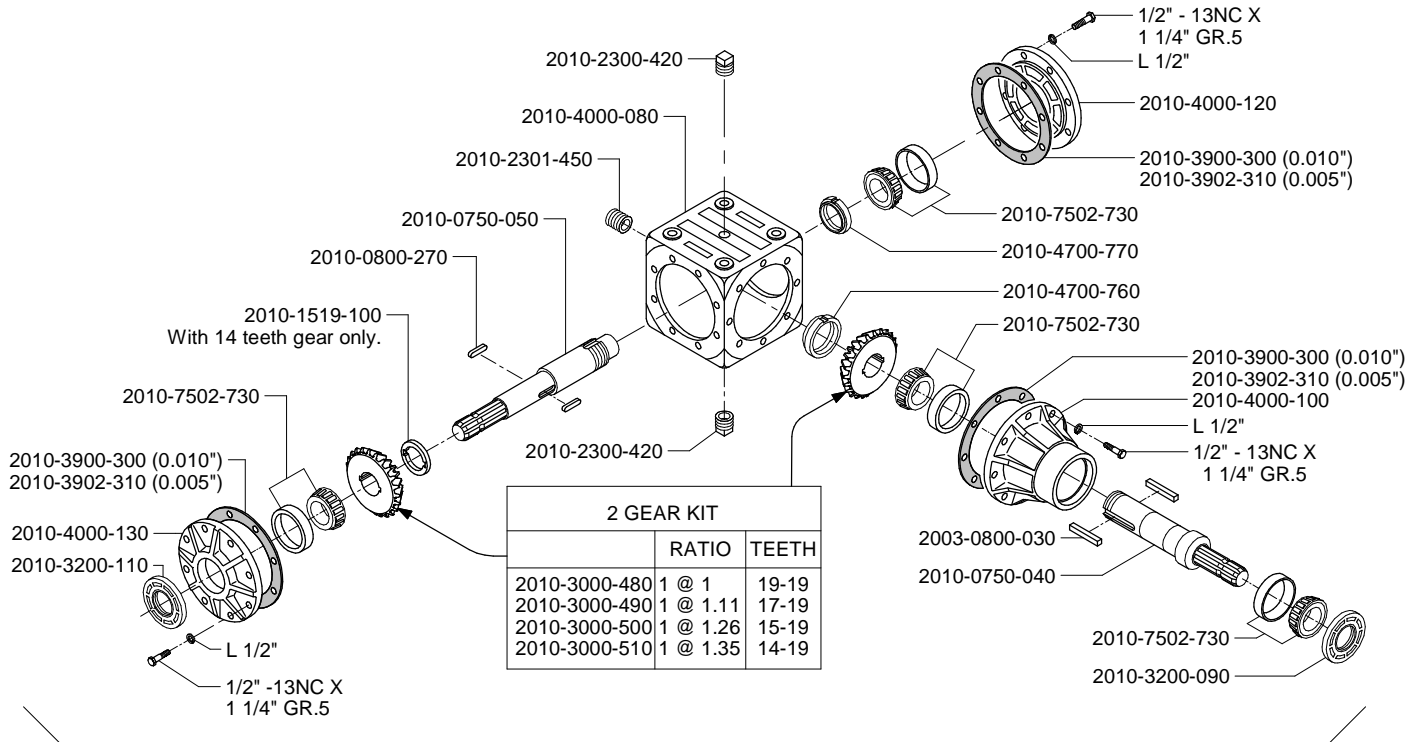




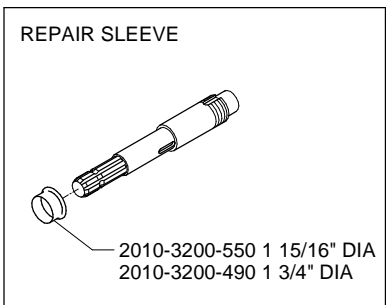
IMPELLER, HOUSING & BOTTOM PLATE - 6" Super pump



*OPTION : NARROW OPENNIG
**BEFORE JUNE 2001



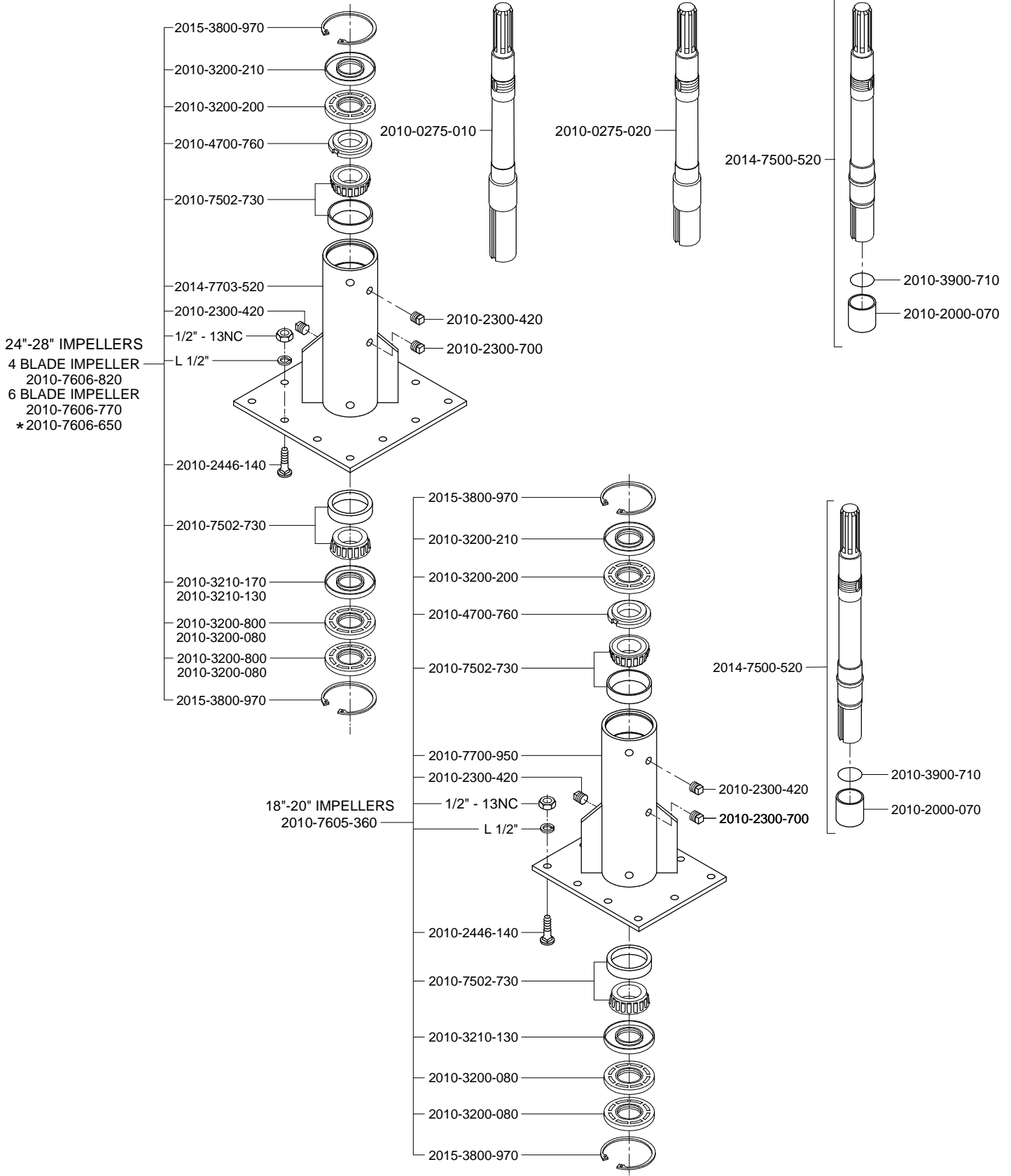
COMPLETE GEAR BOX			
RATIO 1 @ 1	RATIO 1 @ 1.11	RATIO 1 @ 1.26	RATIO 1 @ 1.35
2010-2800-040	2010-2800-170 (+10%) 2010-2800-130 (-10%)	2010-2800-330 (+26%) 2010-2800-370 (-26%)	2010-2800-380 (-35%)



4 BLADE IMPELLER

6 BLADE IMPELLER

OLD MODEL

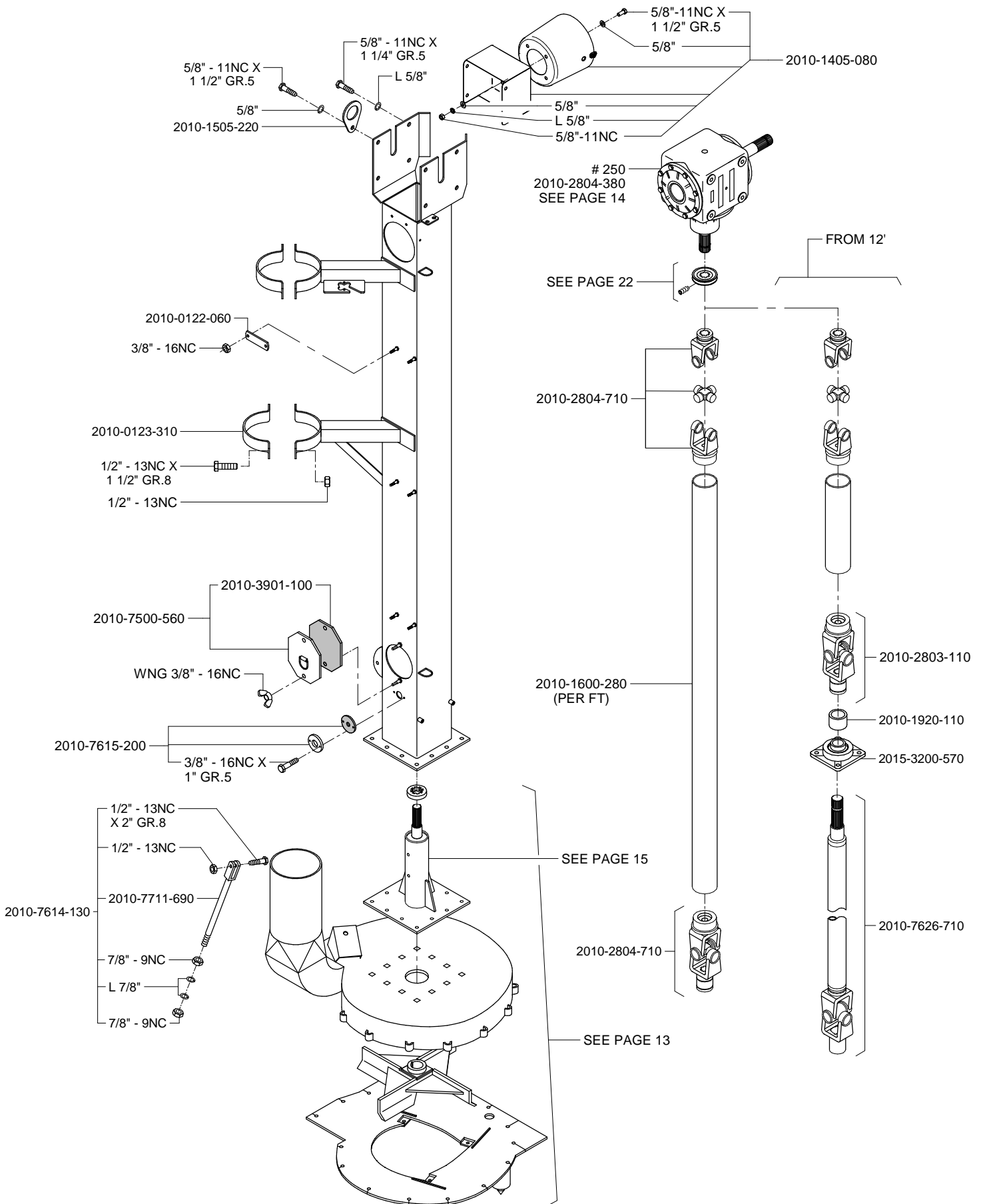


24"-28" IMPELLERS
 4 BLADE IMPELLER
 2010-7606-820
 6 BLADE IMPELLER
 2010-7606-770
 *2010-7606-650

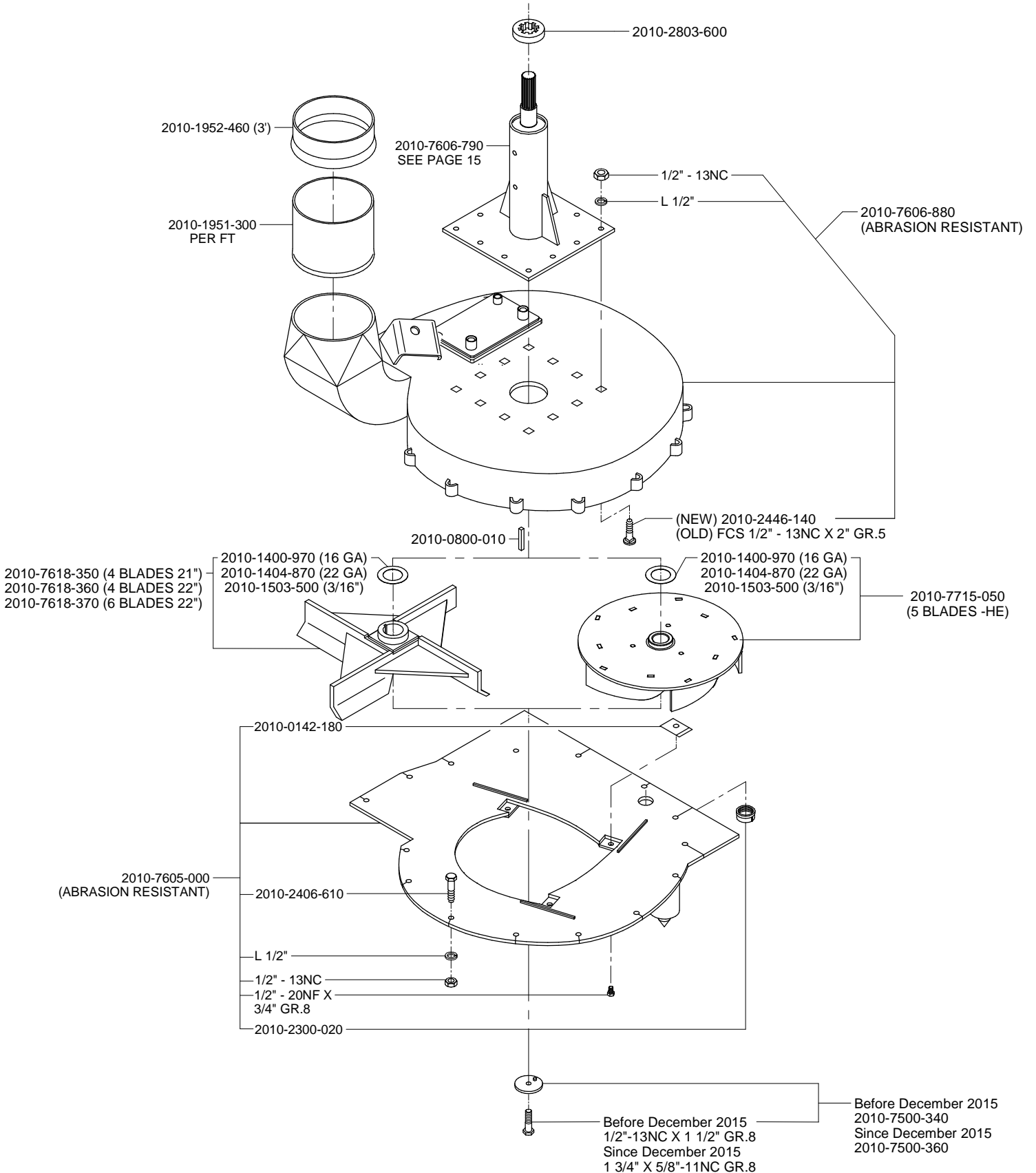
18"-20" IMPELLERS
 2010-7605-360

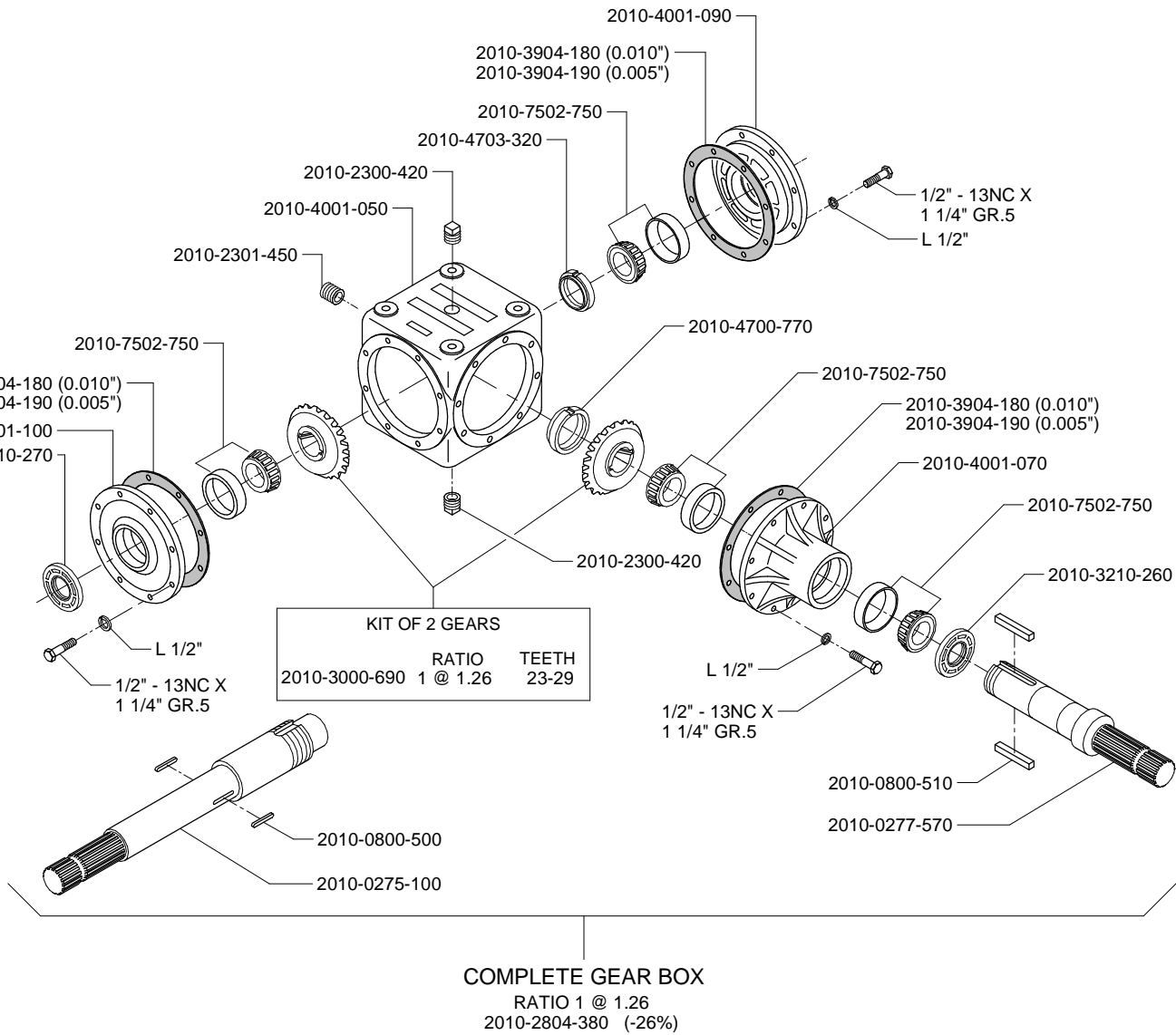
*OLD MODEL (1 5/8" SHAFT)

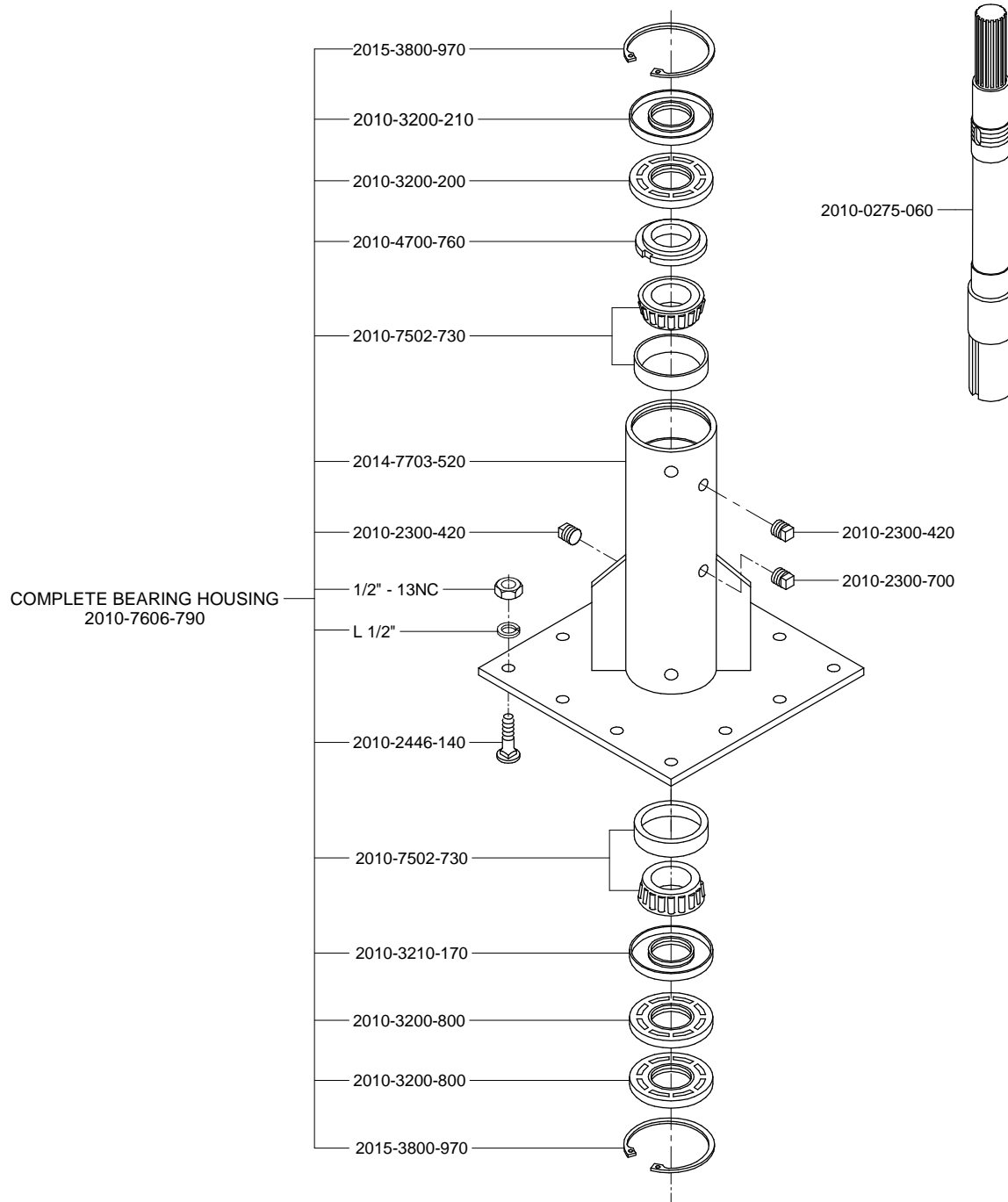
VERTICAL 8" SUPER PUMP



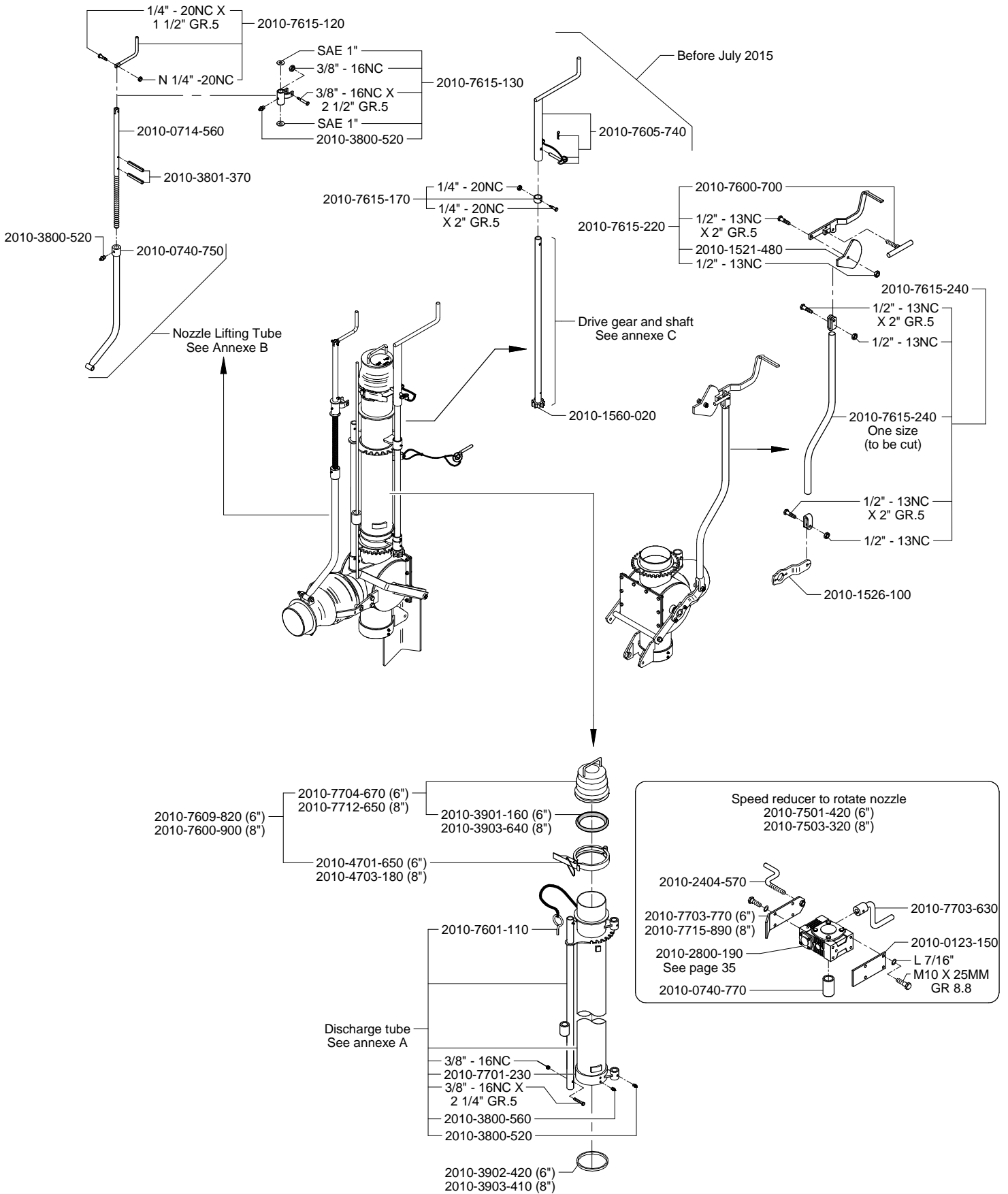
IMPELLER, HOUSING & BOTTOM PLATE - 8" Super Pump







DISCHARGE PIPE AND MANUAL CONTROLS



6" Valve - 1 agitation nozzle

Reducer
2010-7633-030

Hyd. ctrl
2010-7620-670

Manual ctrl
2010-7620-800

6" Valve - 2 agitation nozzles

Reducer
2010-7624-070

Hyd. ctrl
2010-7624-120

Manual ctrl
2010-7623-700

ROTARY VALVE 6" FOR 2 JET

2010-7702-870

N 1/2" - 13NC

1/2" - 13NC X
1 1/2" GR.5

2010-7602-380

2010-7500-270

2010-7700-020

ROTARY VALVE 8" FOR 2 JET

2010-7702-870

N 1/2" - 13NC

1/2" - 13NC X
1 1/2" GR.5

2010-7602-390

2010-7500-270

2010-7700-020

6" Valve - 1 agitation nozzle - narrow opening

Hyd. ctrl

2010-7633-040

2010-7624-110

6" Valve - 2 agitation nozzles - narrow opening

Hyd. ctrl

2010-7624-100

2010-7624-130

8" Valve - 1 agitation nozzle

2010-7633-050

2010-7620-680

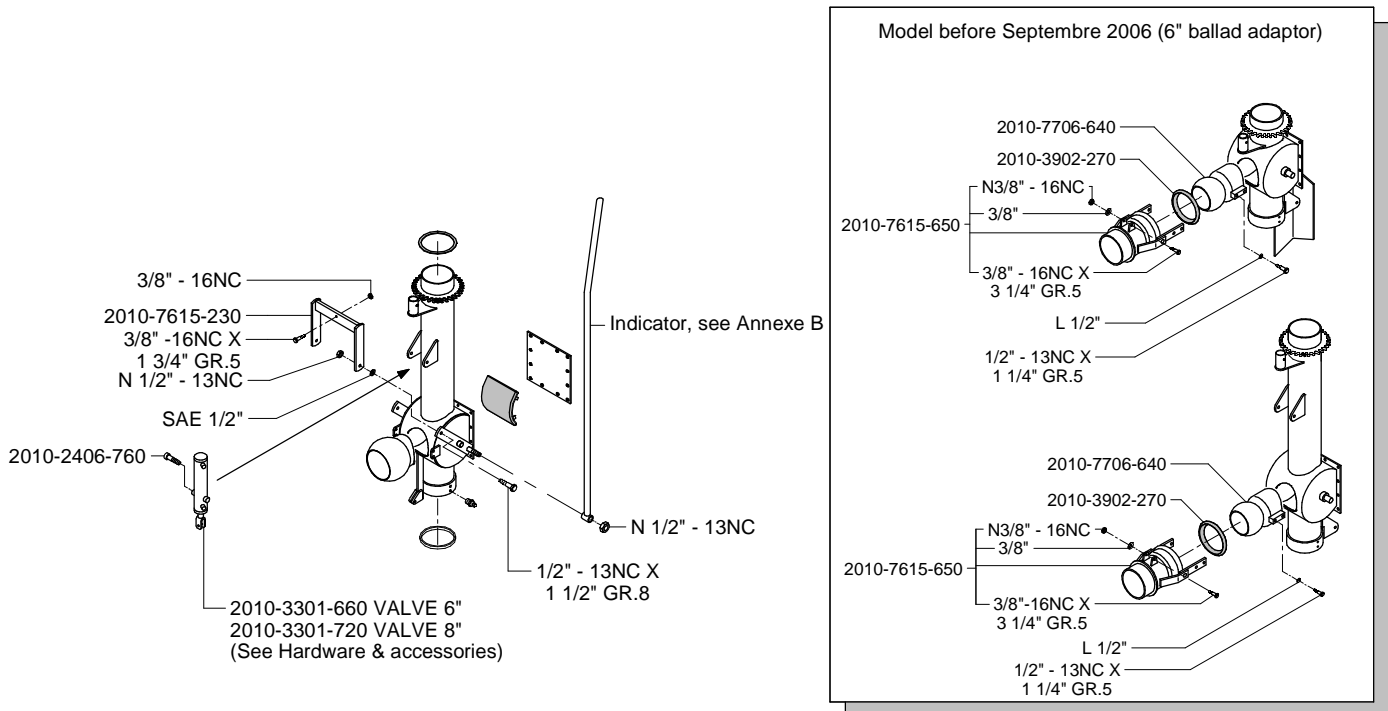
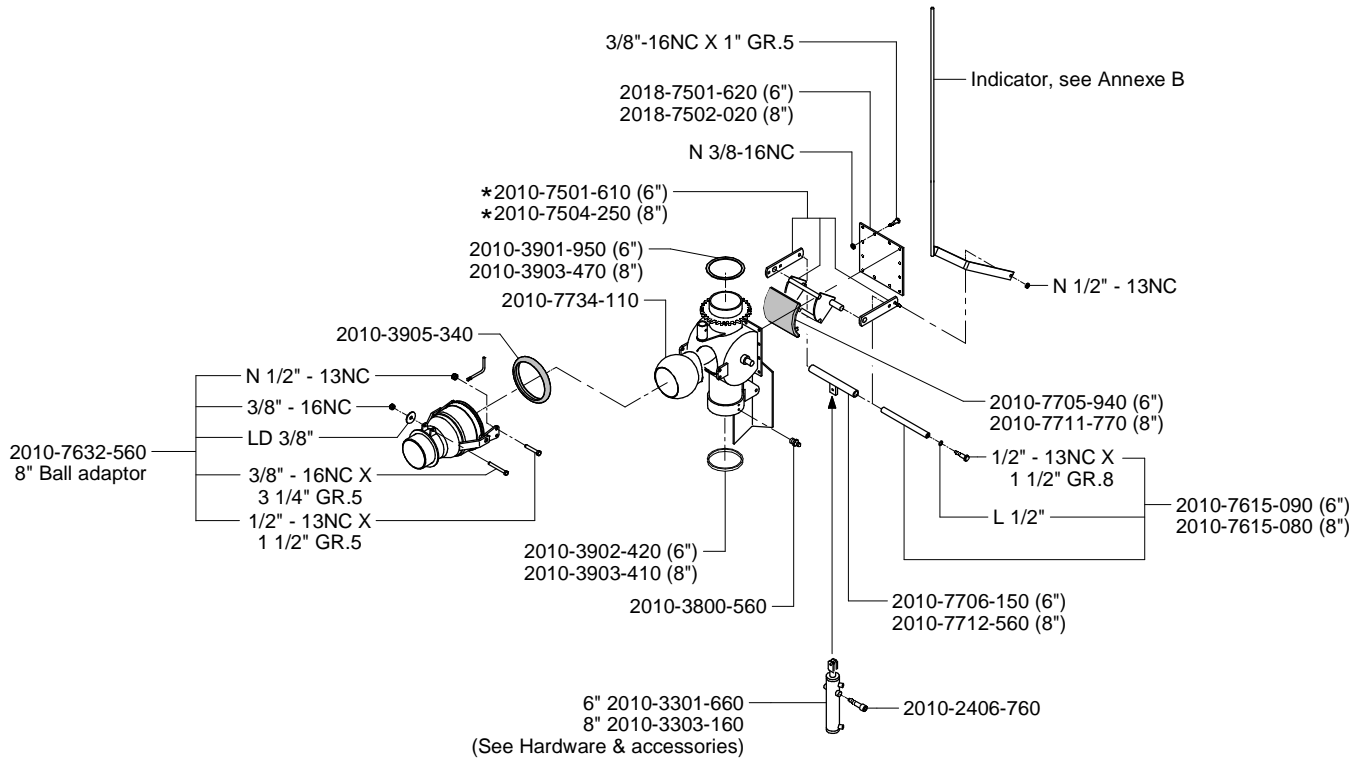
Hyd. ctrl

8" Valve - 2 agitation nozzles

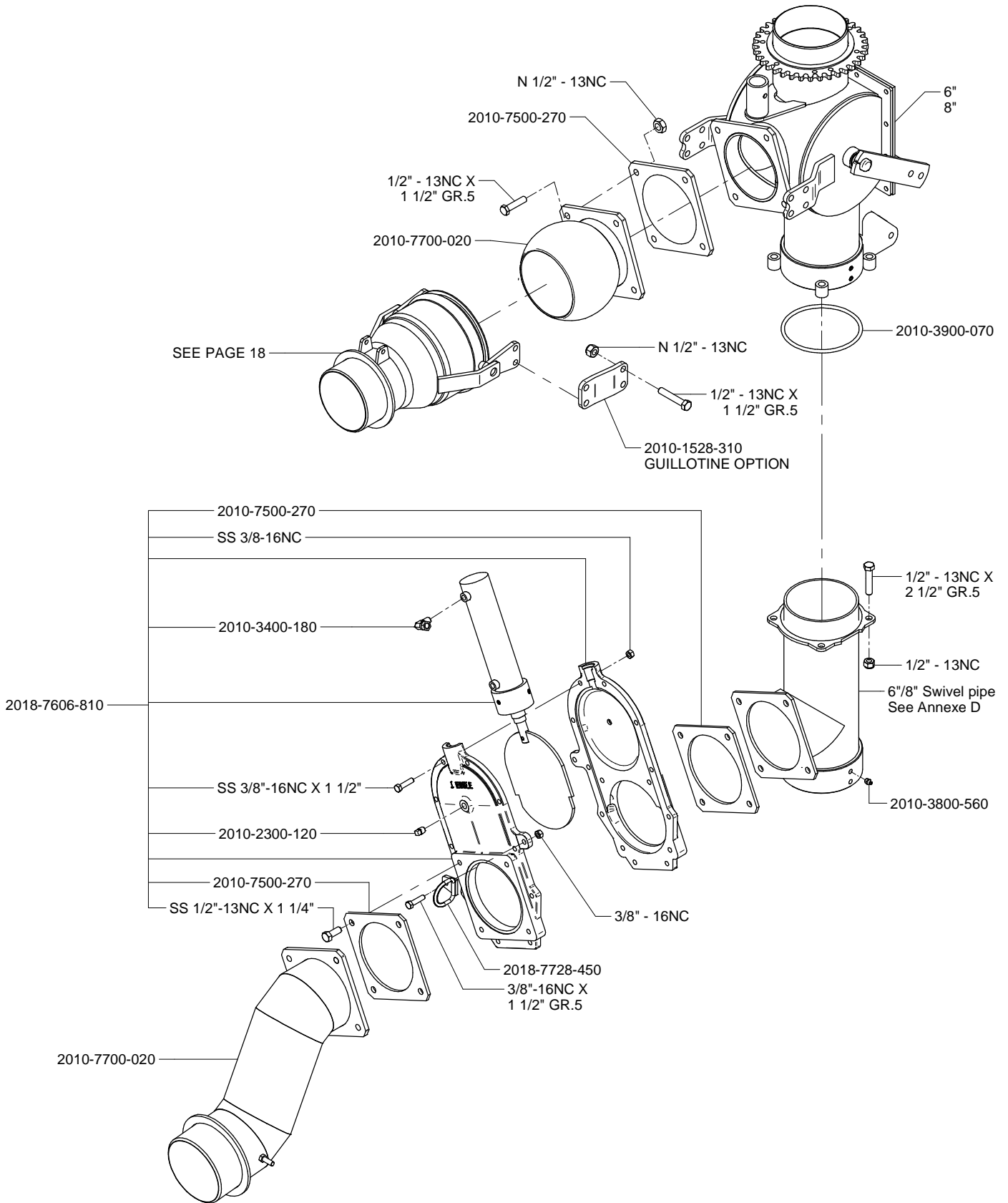
2010-7619-800

2010-7602-880

Hyd. ctrl



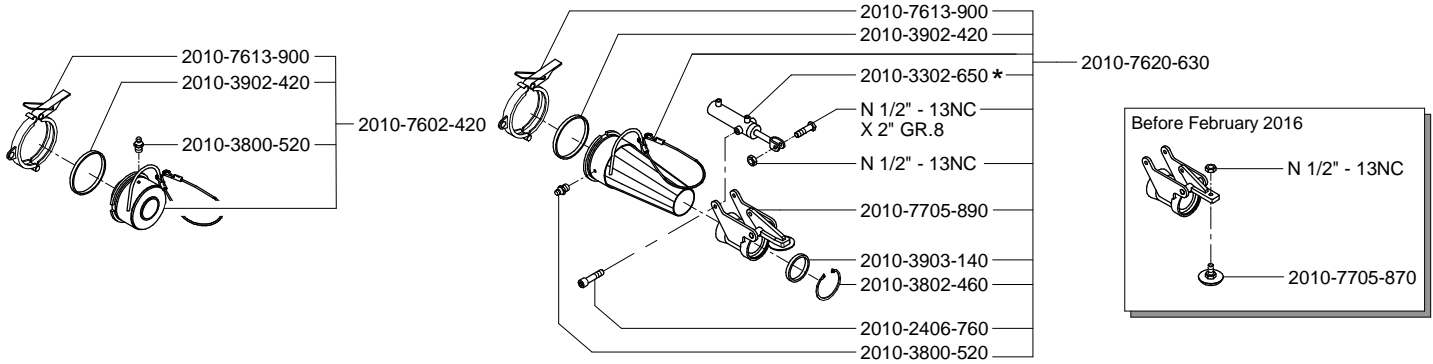
* REPAIR KIT



JET 3"
3" NOZZLE

NARROW OPENING

HYDRAULIC CAP

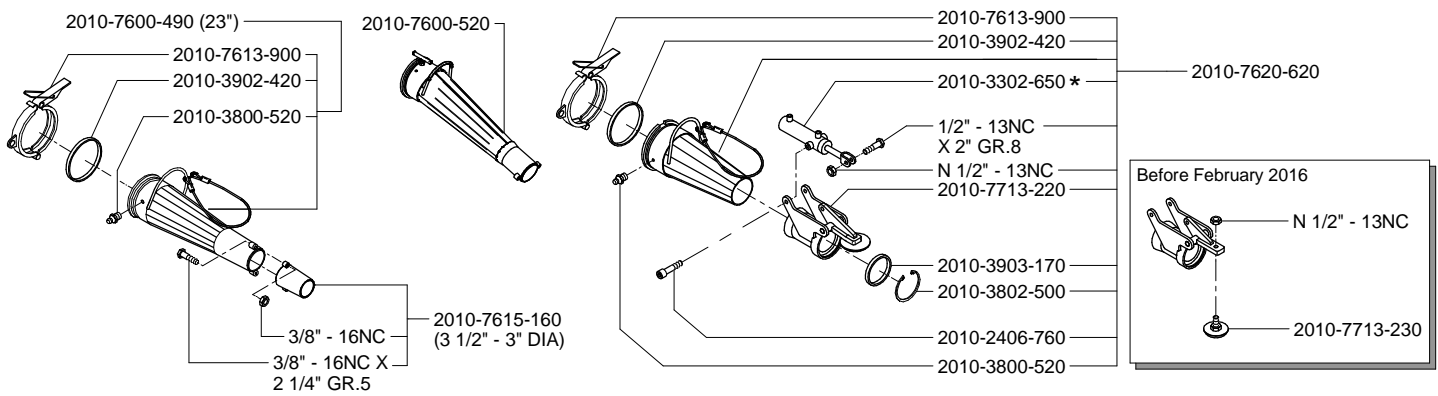


JET 3 1/2"
3 1/2" NOZZLE

STRAIGHT

15°

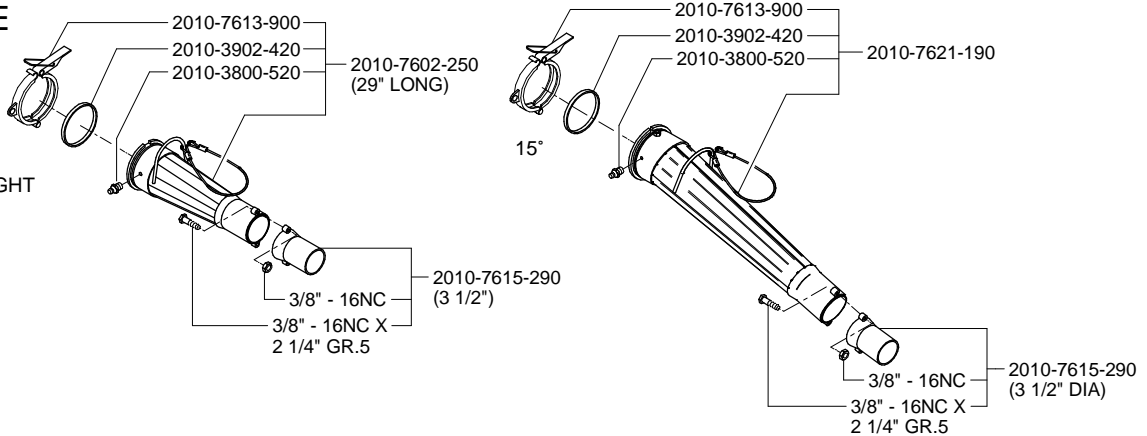
HYDRAULIC CAP



JET 4"
4" NOZZLE

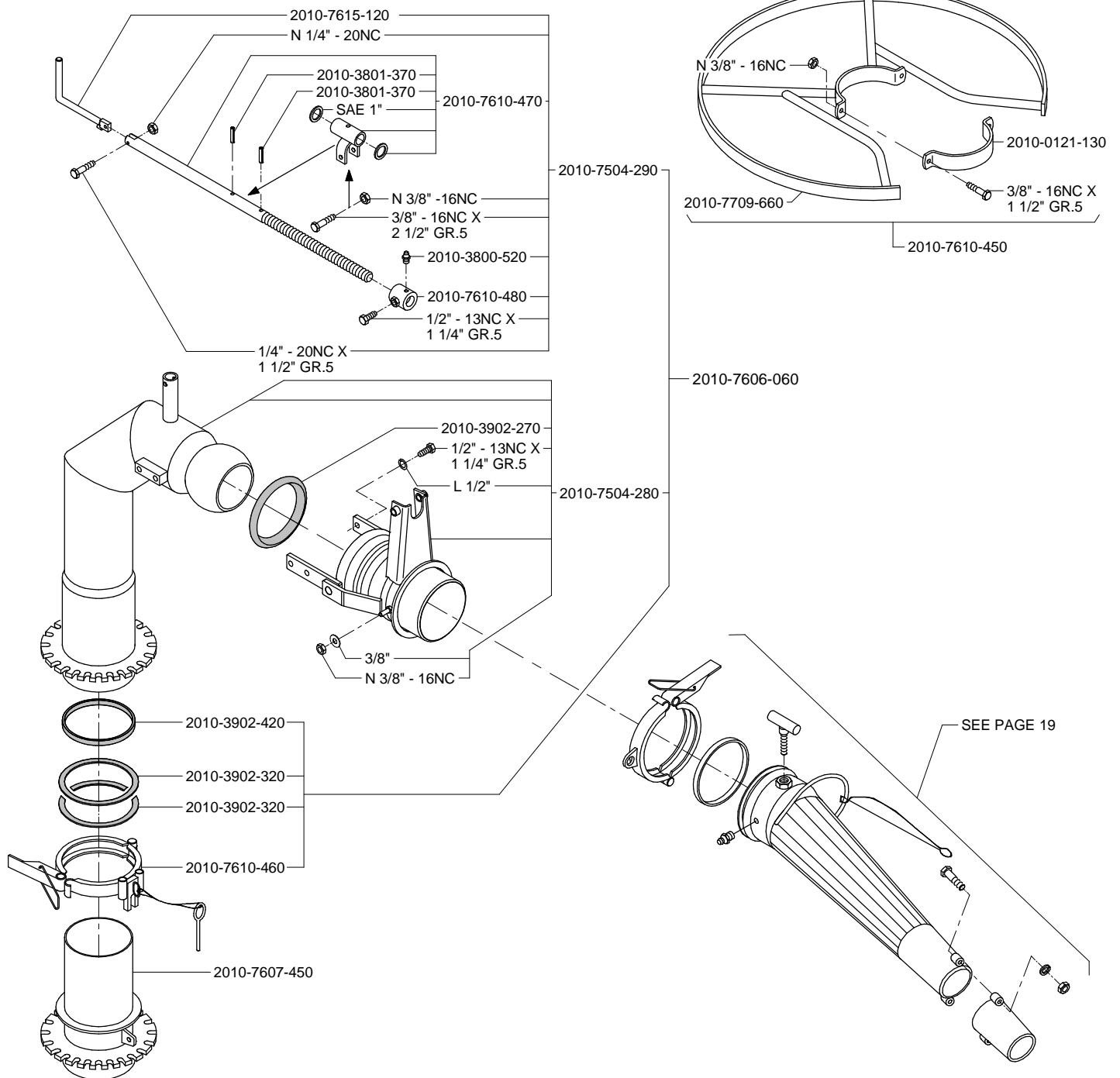
STRAIGHT

15°

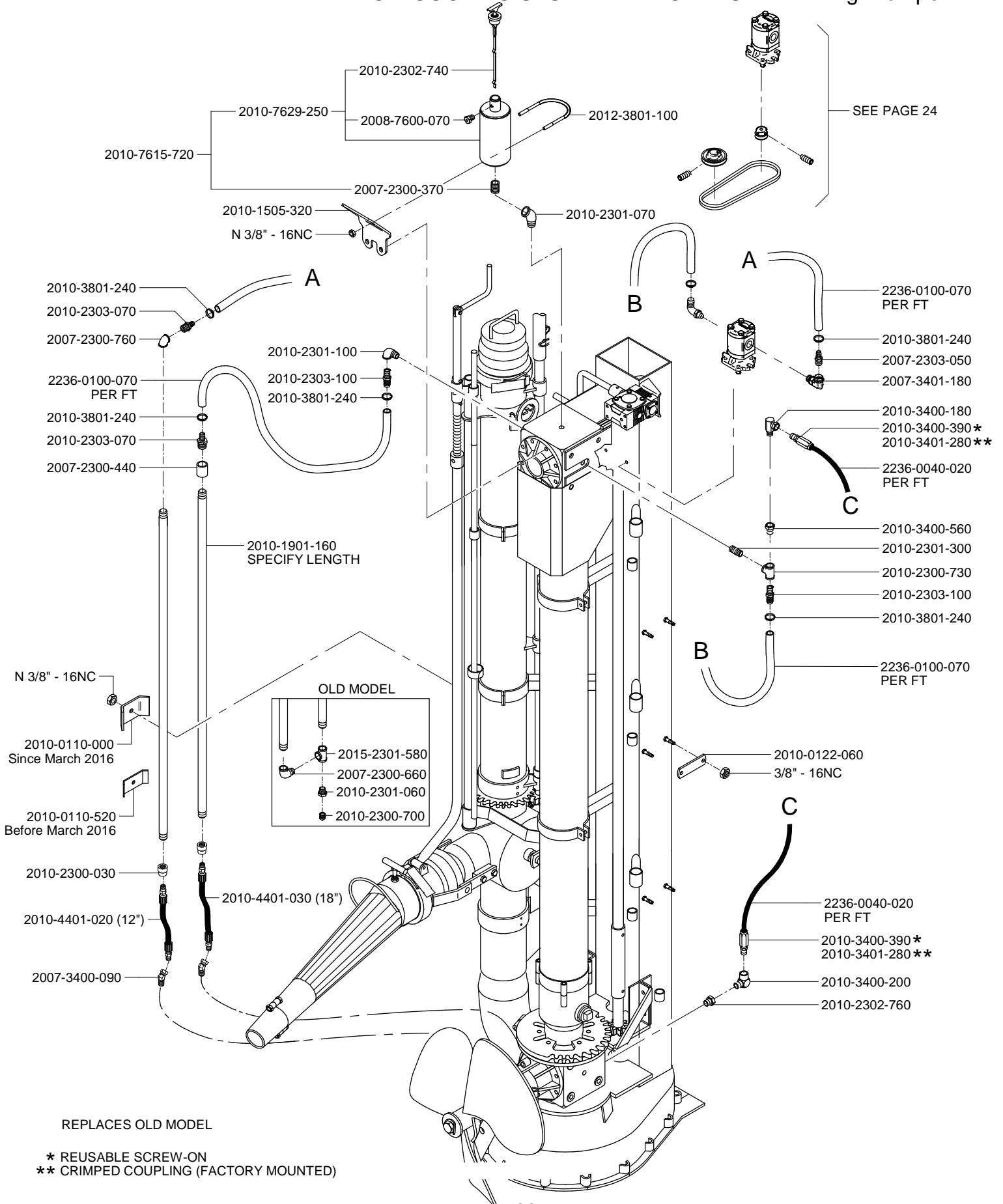


* SEE HARDWARE & ACCESSORIES PAGE 28

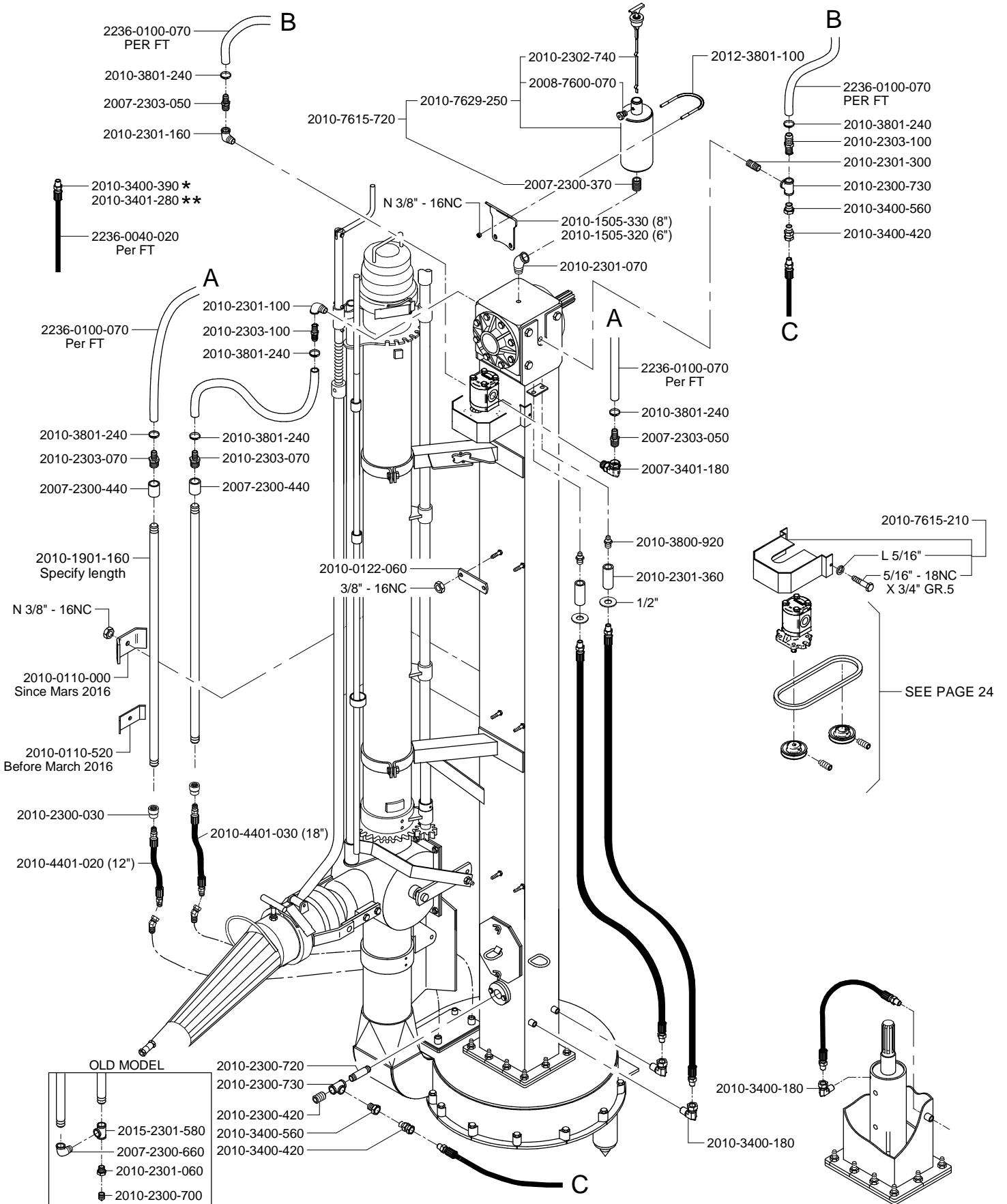
SURFACE AGITATION NOZZLE - BEFORE APRIL 2015



OIL COOLING SYSTEM AND GREASE LINE - Agri-Pompe

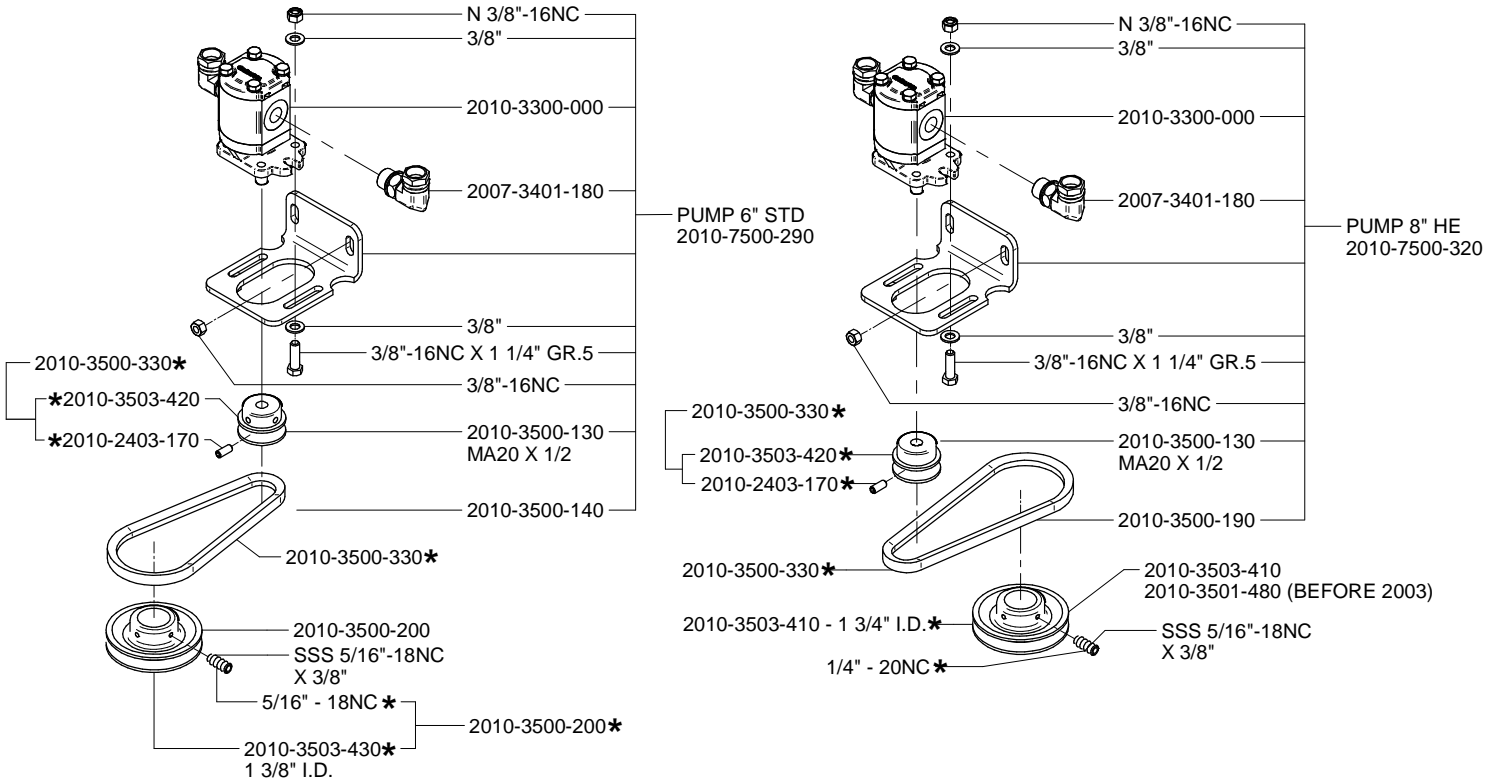


OIL COOLING SYSTEM AND GREASE LINE - Super Pump

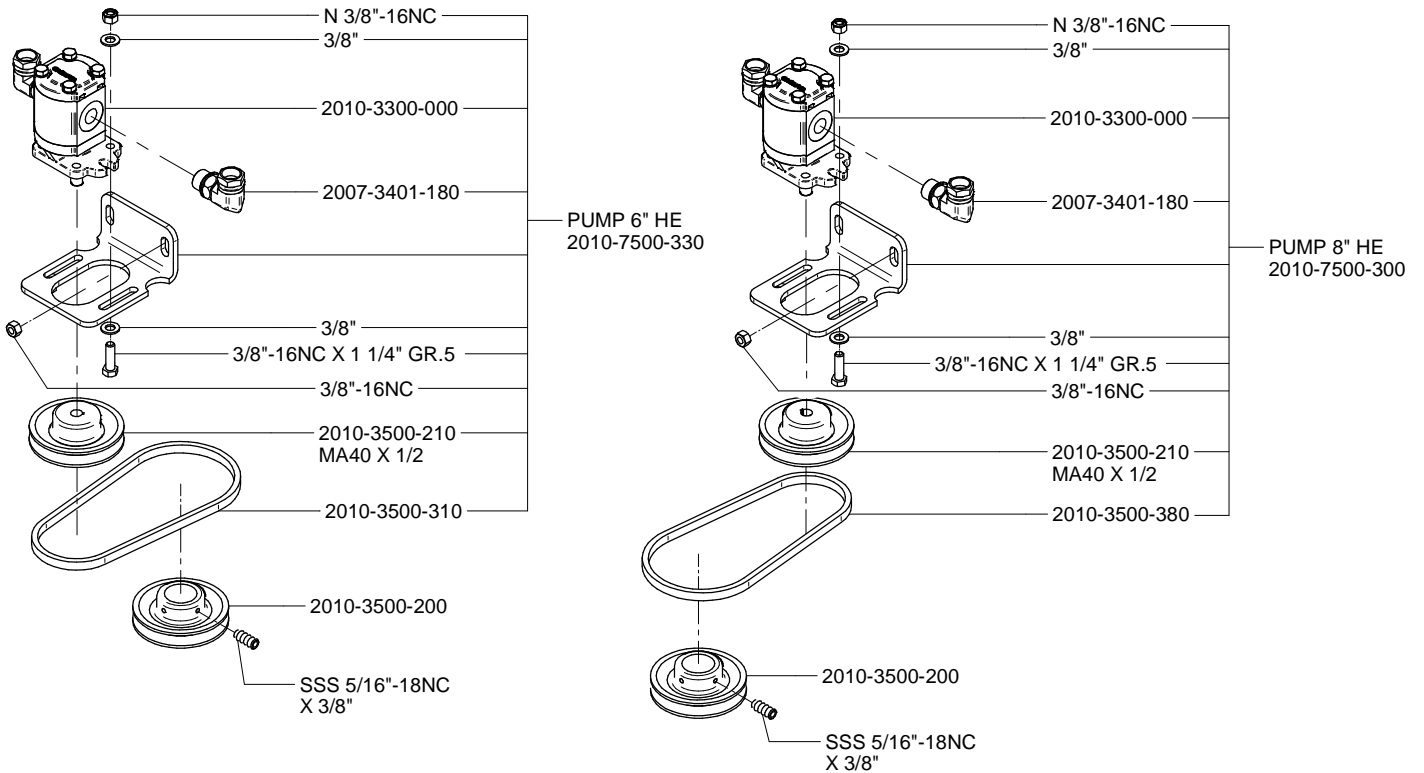


* REUSABLE SCREW-ON
 ** CRIMPED COUPLING (FACTORY MOUNTED)
 GEA Farm Technologies Canada Inc.
 Division GEA Houle

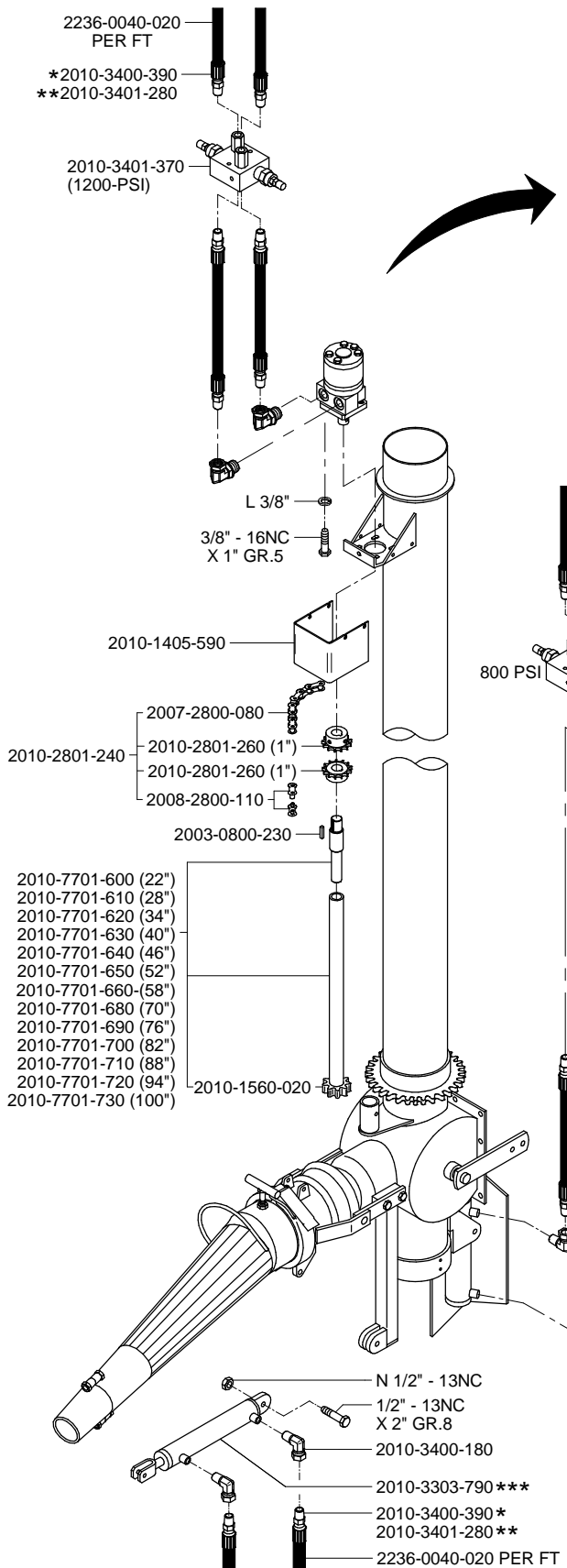
SUPERPOMPE



AGI-POMPE



* BEFORE JANUARY 2017



PUMPS MANUFACTURED SINCE JUNE, 2014

NEW MOTOR AND NEW HOSES

2010-3400-070

2236-0040-020
PER FT

2010-3400-080

2110-3301-630

FOR JOINT ASSEMBLY SEE HARDWARE
AND ASSESSORIES PAGE 20

PUMPS MANUFACTURED BEFORE JUNE, 2014

OLD MOTOR AND OLD HOSE

2010-3400-390

2010-3401-280

N/A

2236-0040-020
PER FT

2010-3400-180

2010-3400-680

REPLACEMENT WITH NEW MOTOR ON
OLD HOSES

2010-3400-390

2010-3401-280

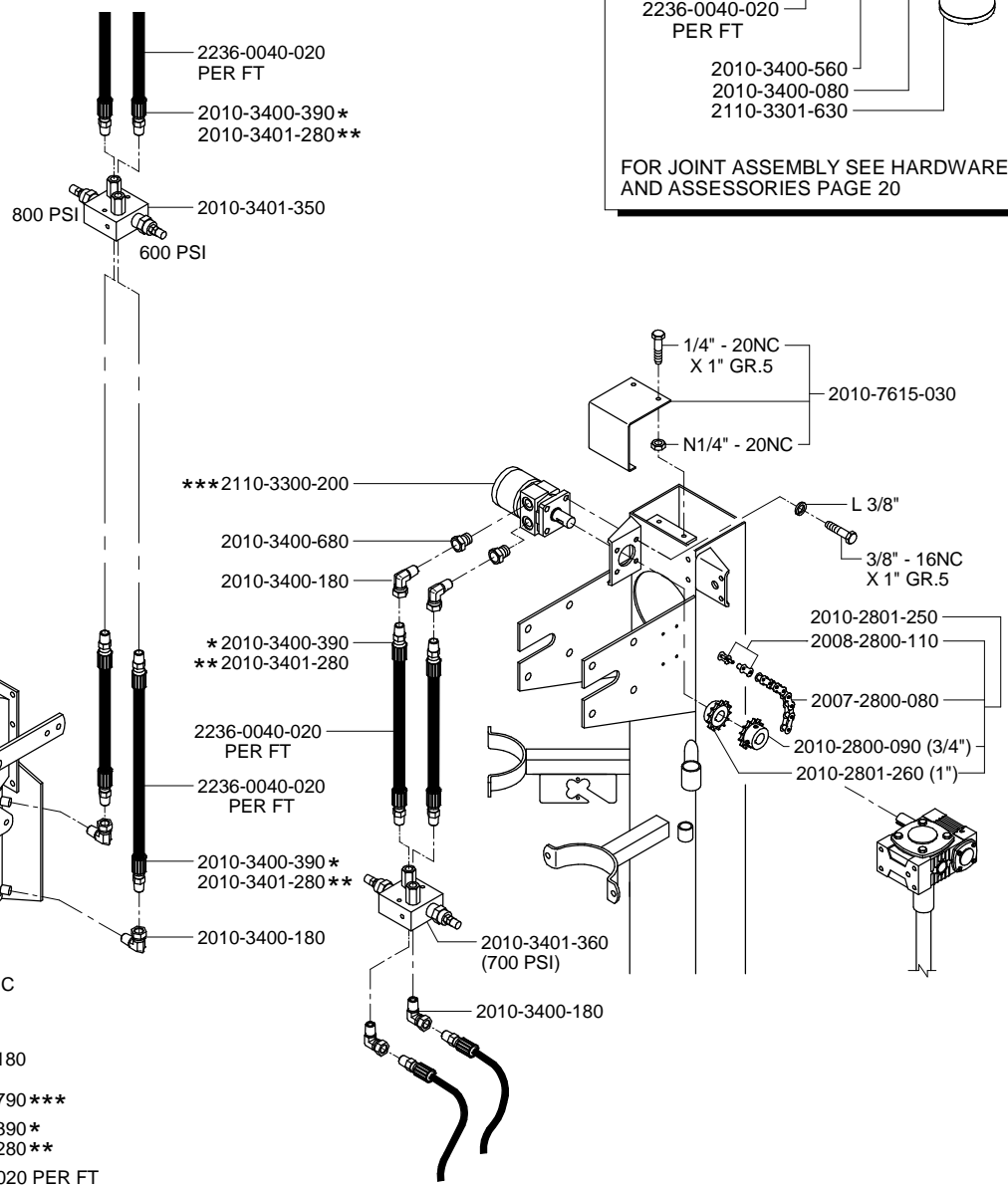
2236-0040-020
PER FT

2010-3400-560

2010-3400-080

2110-3301-630

FOR JOINT ASSEMBLY SEE HARDWARE
AND ASSESSORIES PAGE 20



* REUSABLE SCREW-ON COUPLING
 ** CRIMPED COUPLING (FACTORY MOUNTED)
 *** REPAIR KIT, SEE HARDWARE AND ACCESSORIES

HYDRAULIC CONTROL OPTION - Super Pump

PUMPS MANUFACTURED SINCE JUNE, 2014

NEW MOTOR AND NEW HOSES

2010-3400-070
2236-0040-020 PER FT
2010-3400-080
2110-3301-630

FOR JOINT ASSEMBLY SEE HARDWARE AND ACCESSORIES PAGE 20

PUMPS MANUFACTURED BEFORE JUNE, 2014

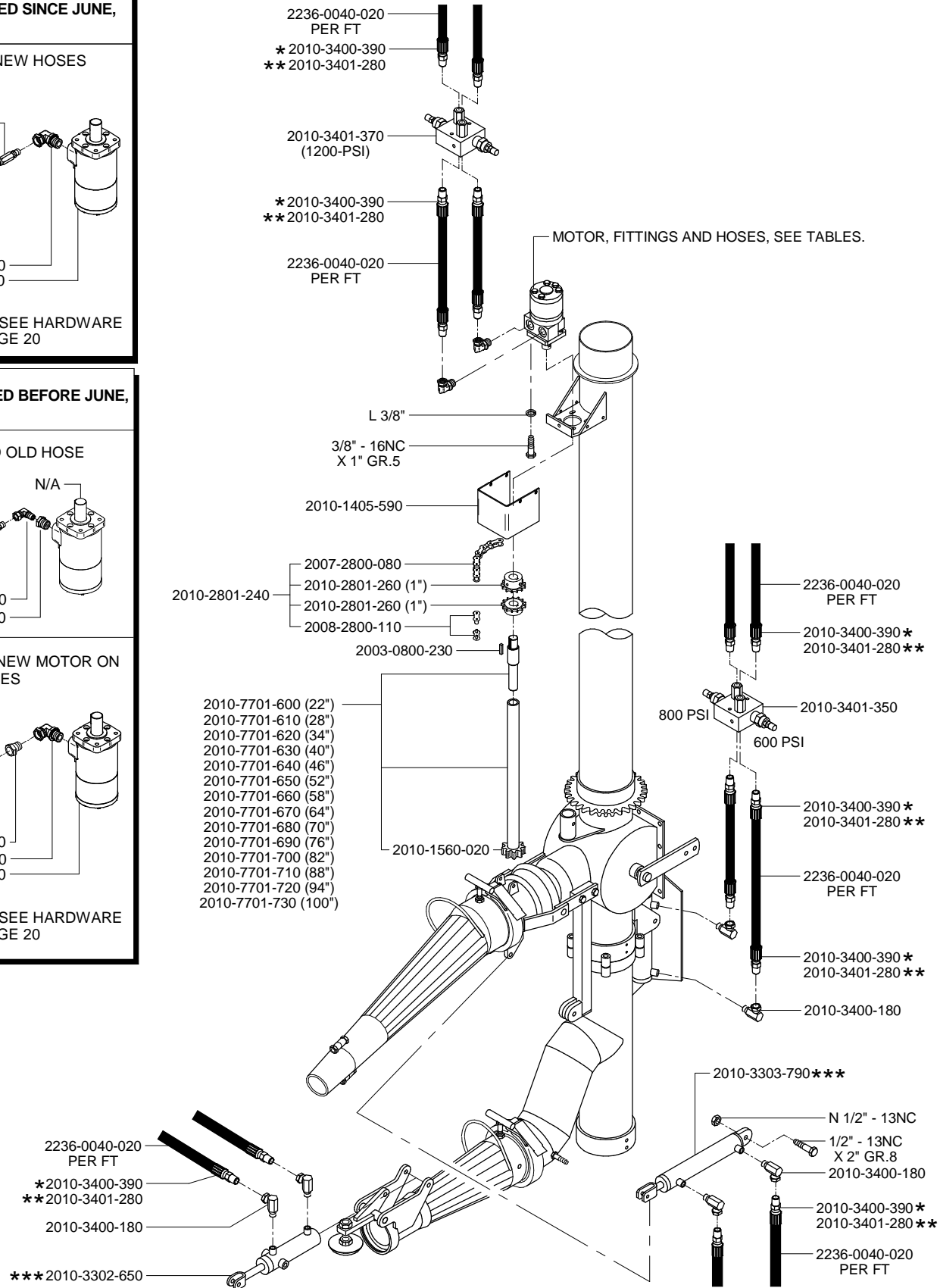
OLD MOTOR AND OLD HOSE

2010-3400-390
2010-3401-280
N/A
2236-0040-020 PER FT
2010-3400-180
2010-3400-680

REPLACEMENT WITH NEW MOTOR ON OLD HOSES

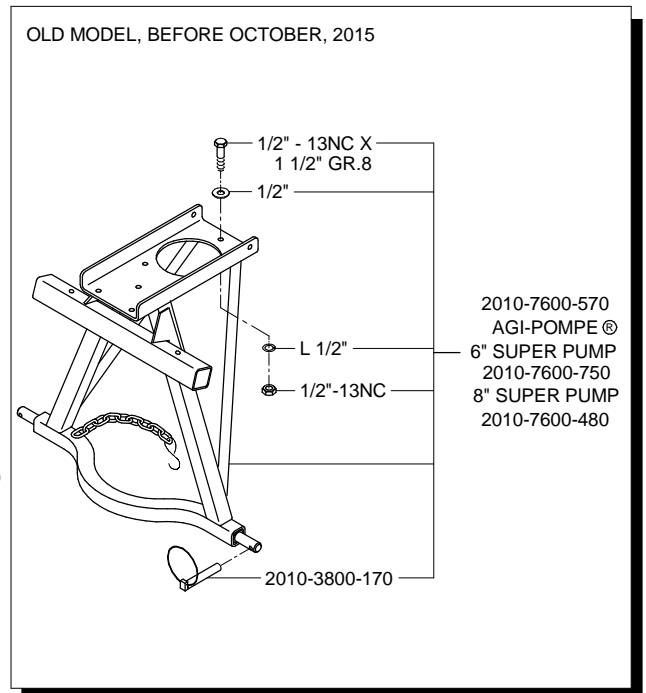
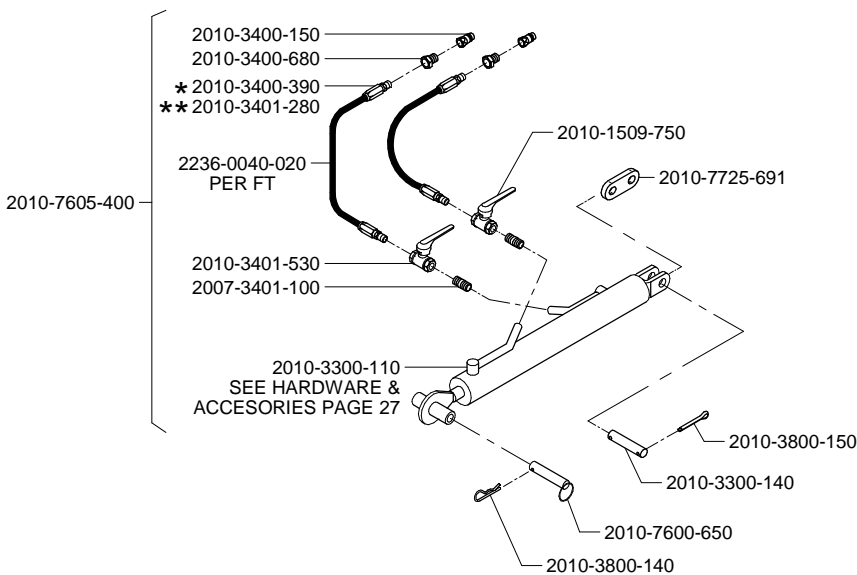
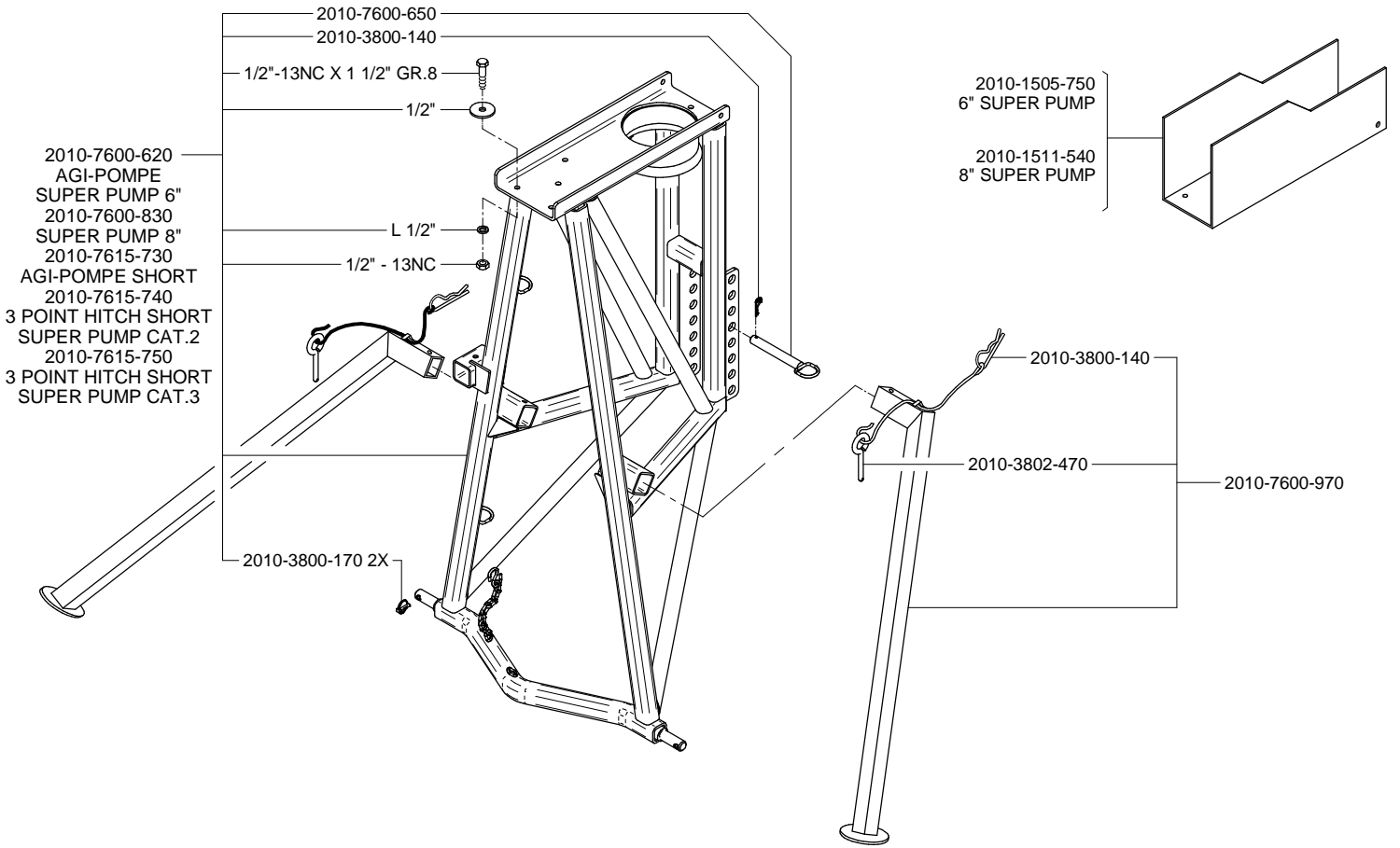
2010-3400-390
2010-3401-280
2236-0040-020 PER FT
2010-3400-560
2010-3400-080
2110-3301-630

FOR JOINT ASSEMBLY SEE HARDWARE AND ACCESSORIES PAGE 20

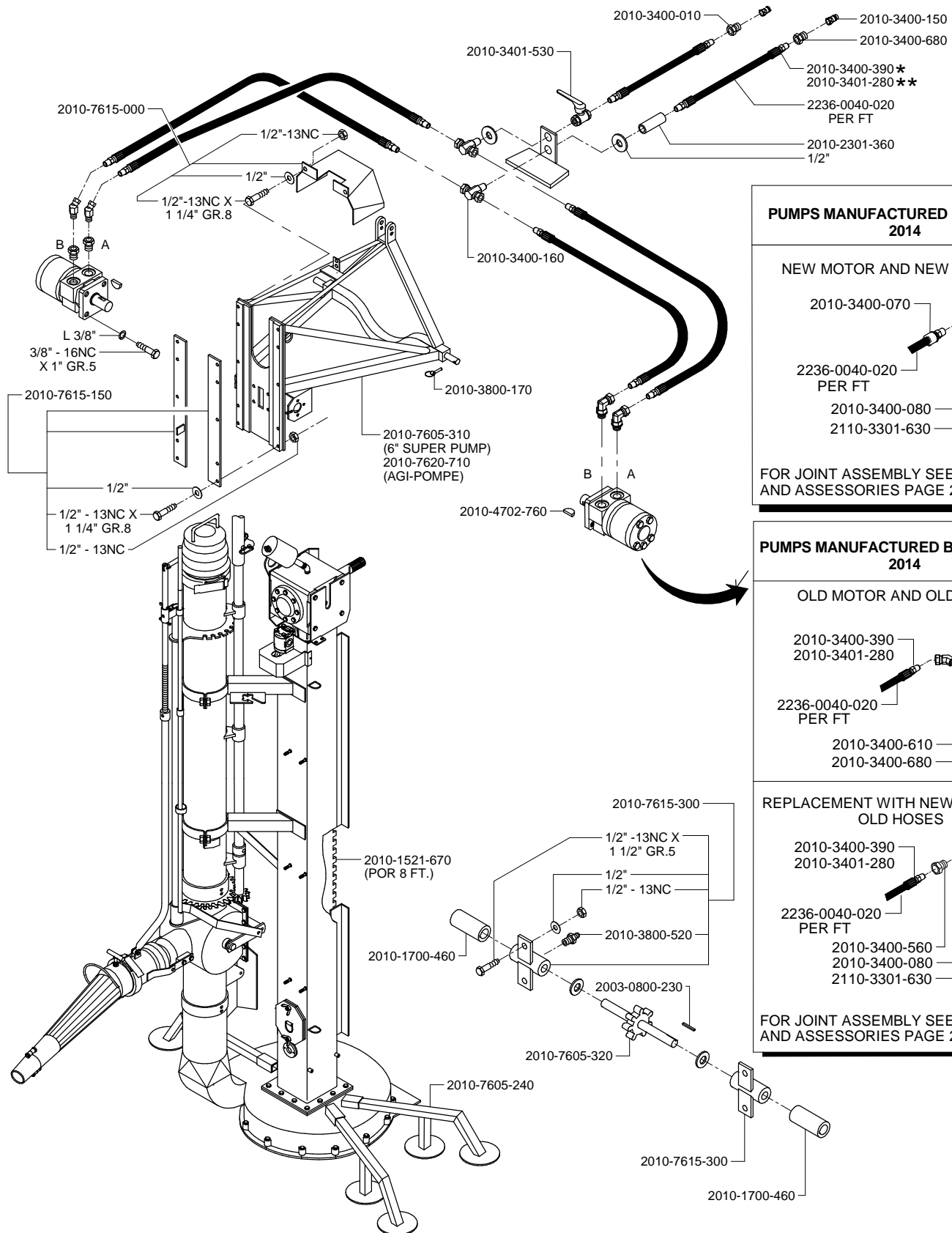


* REUSABLE SCREW-ON COUPLING
** CRIMPED COUPLING (FACTORY MOUNTED)
*** FOR REPAIR KIT, SEE HARDWARE AND ACCESSORIES

EXTENDED

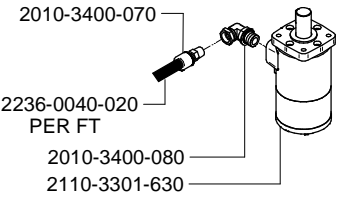


* REUSABLE SCREW-ON
** CRIMPED COUPLING (FACTORY MOUNTED)



PUMPS MANUFACTURED SINCE JUNE, 2014

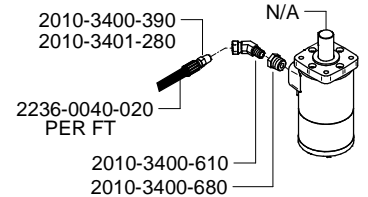
NEW MOTOR AND NEW HOSES



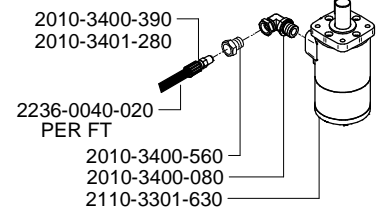
FOR JOINT ASSEMBLY SEE HARDWARE AND ASSESSORIES PAGE 20

PUMPS MANUFACTURED BEFORE JUNE, 2014

OLD MOTOR AND OLD HOSE

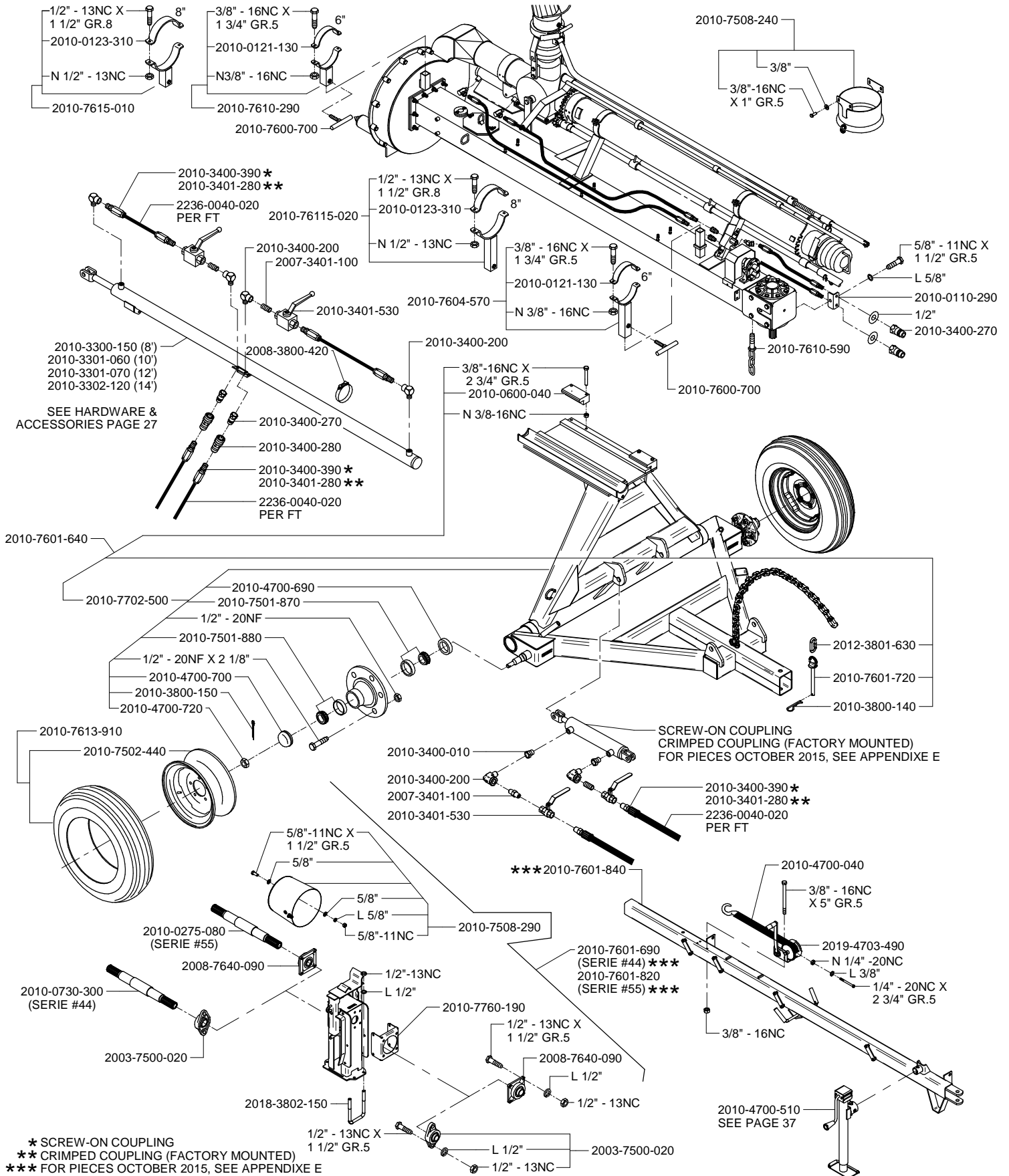


REPLACEMENT WITH NEW MOTOR ON OLD HOSES



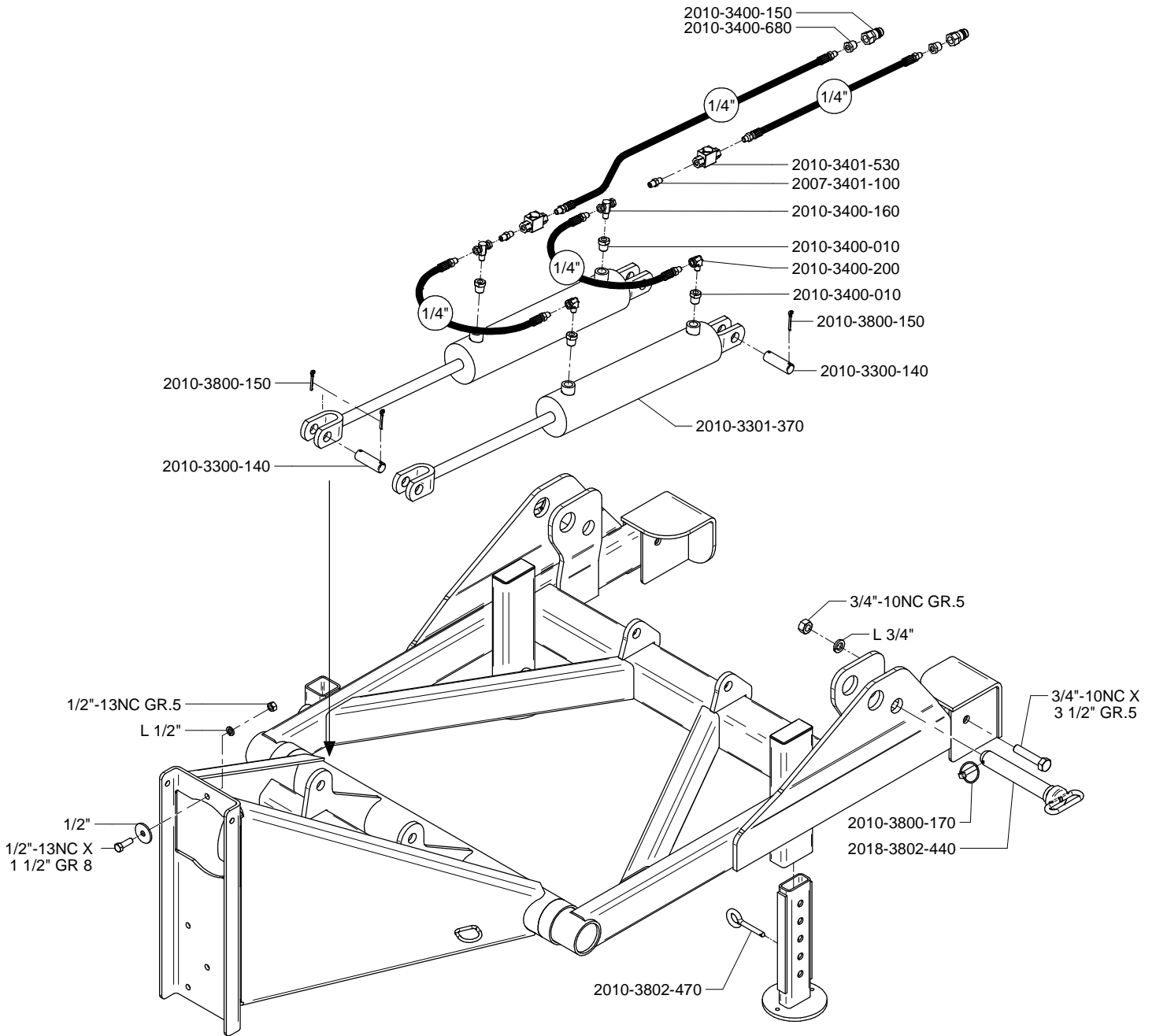
FOR JOINT ASSEMBLY SEE HARDWARE AND ASSESSORIES PAGE 20

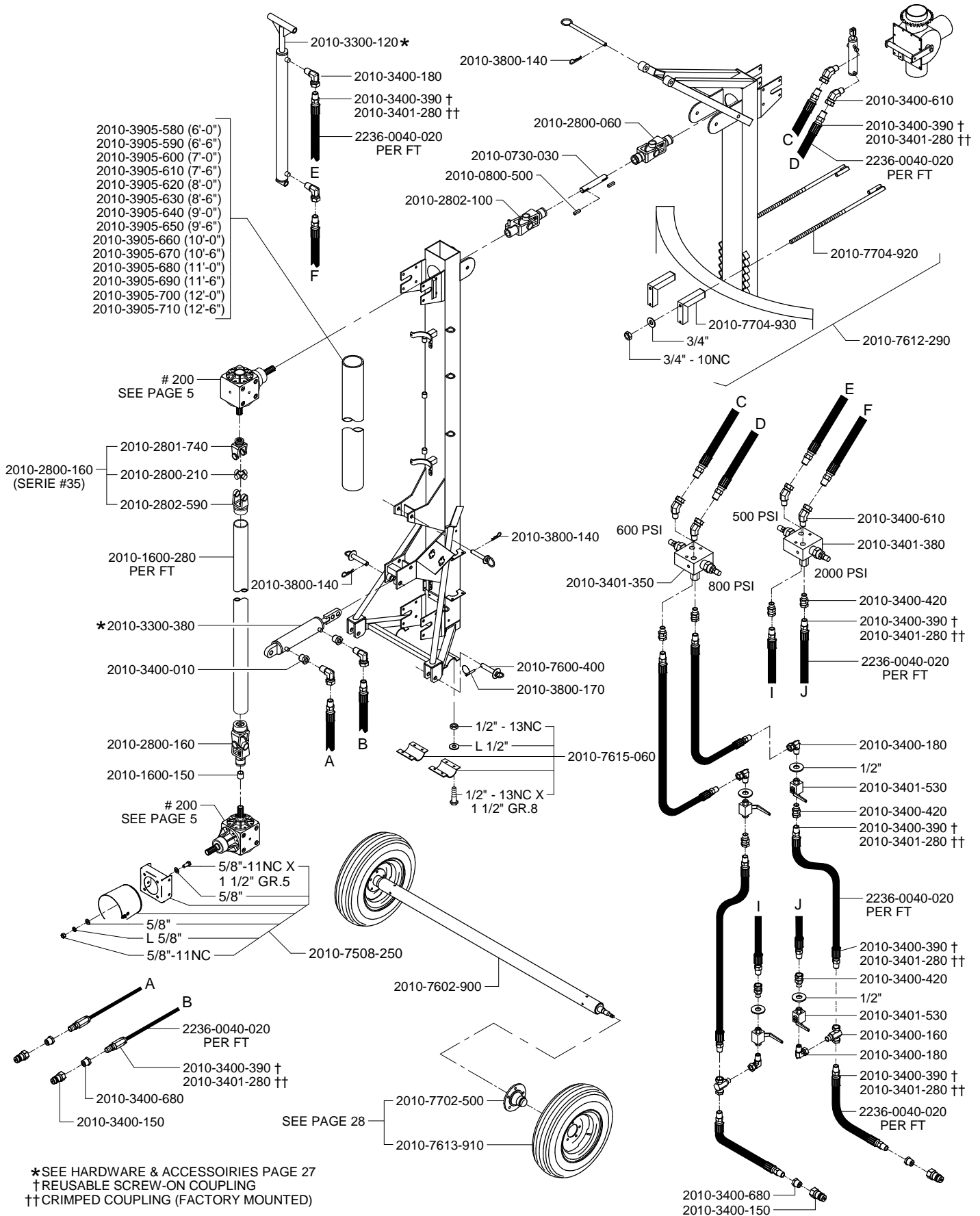
* SCREW-ON COUPLING
 ** CRIMPED COUPLING (FACTORY MOUNTED)
 *** FOR REPAIR KIT, SEE HARDWARE AND ACCESSORIES



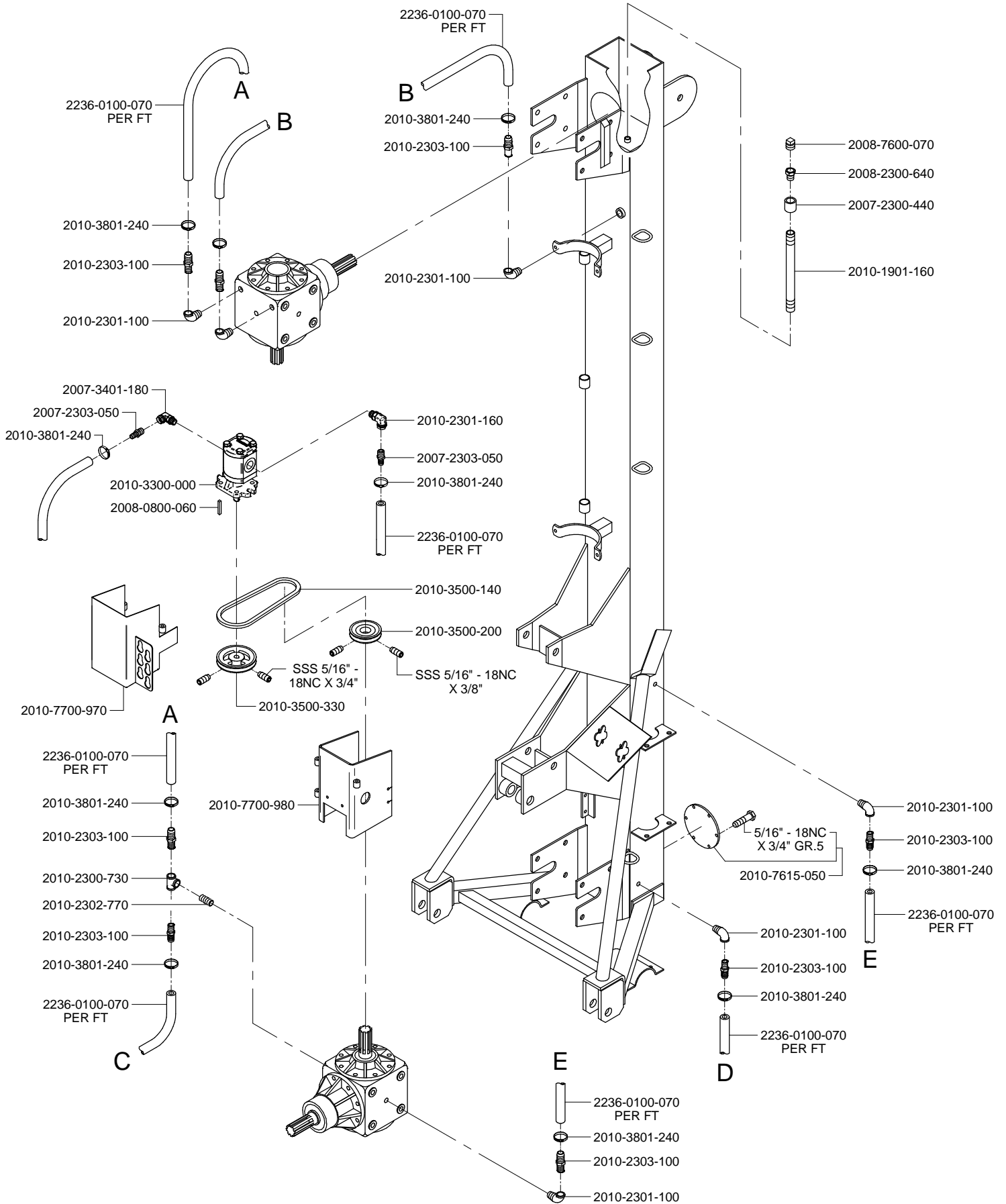
* SCREW-ON COUPLING
** CRIMPED COUPLING (FACTORY MOUNTED)
*** FOR PIECES OCTOBER 2015, SEE APPENDIX E

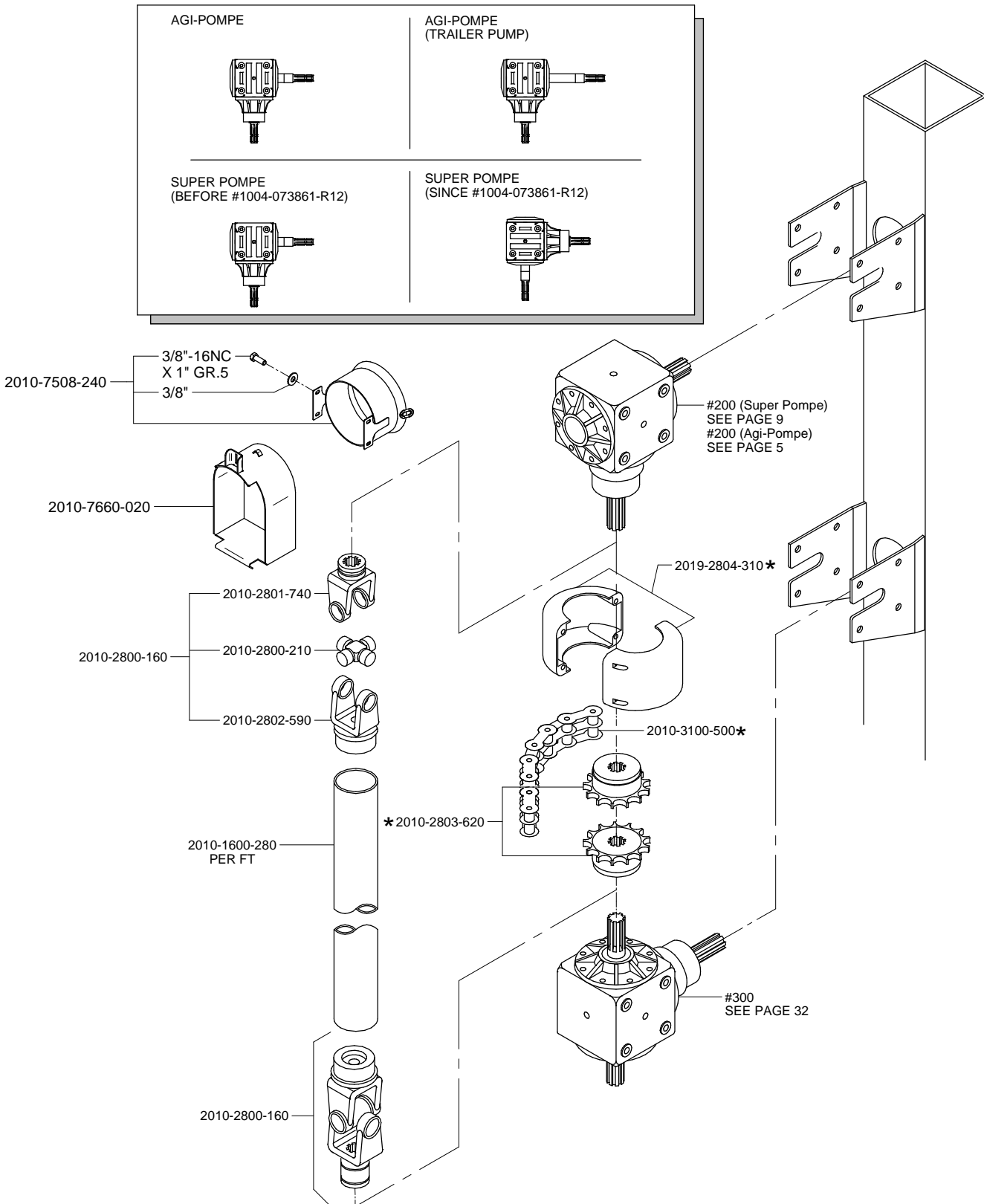
	2010-3400-390*
	2010-3401-280**
	2236-0040-020
	PER FT





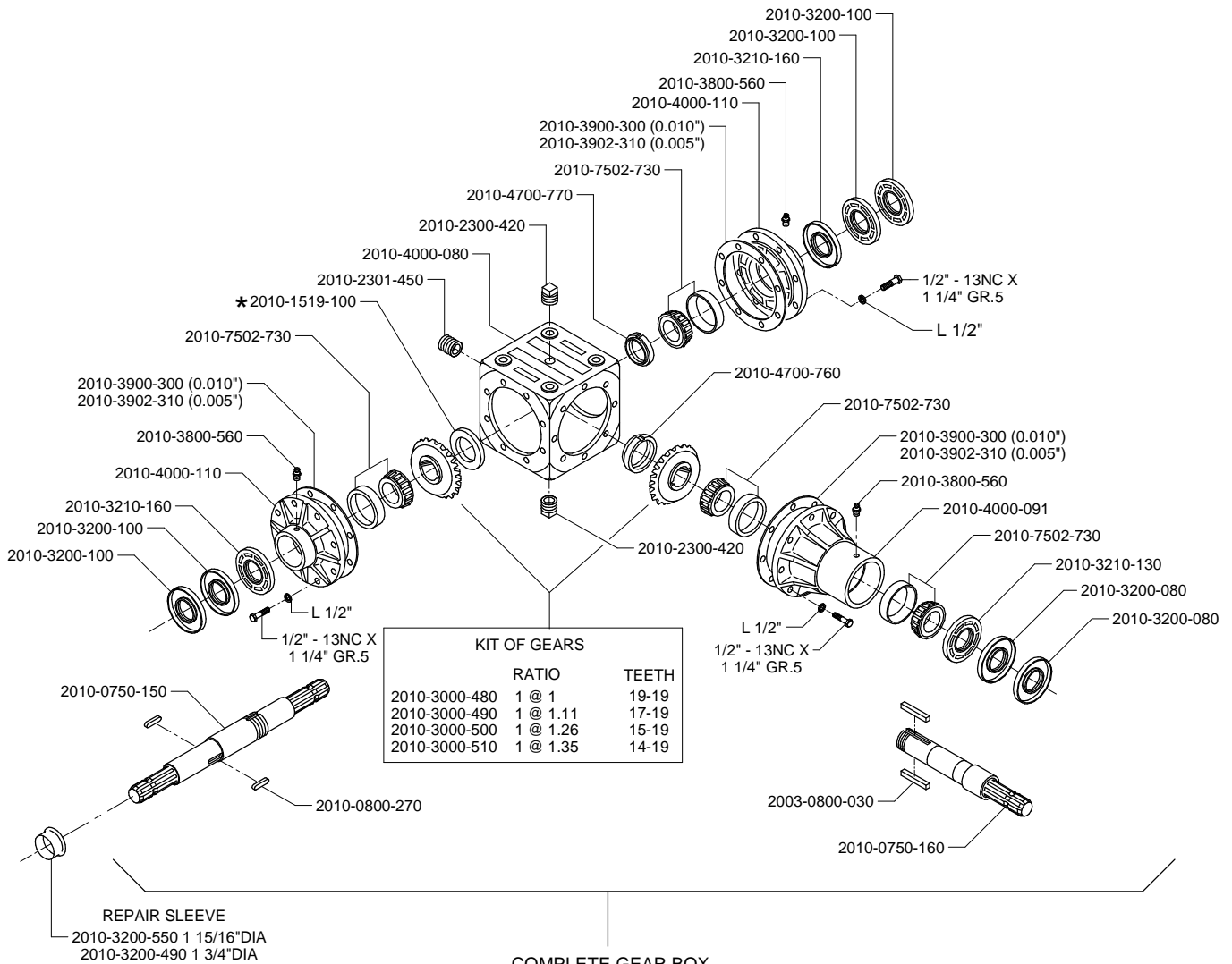
OIL COOLING SYSTEM - Pump for Above-Ground Tank





*AVAILABLE FOR REPLACEMENT ONLY

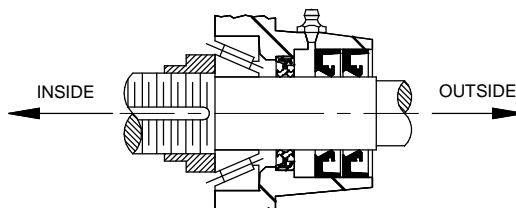
GEAR BOX #300 - Additional gear box option



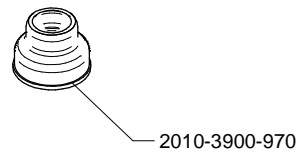
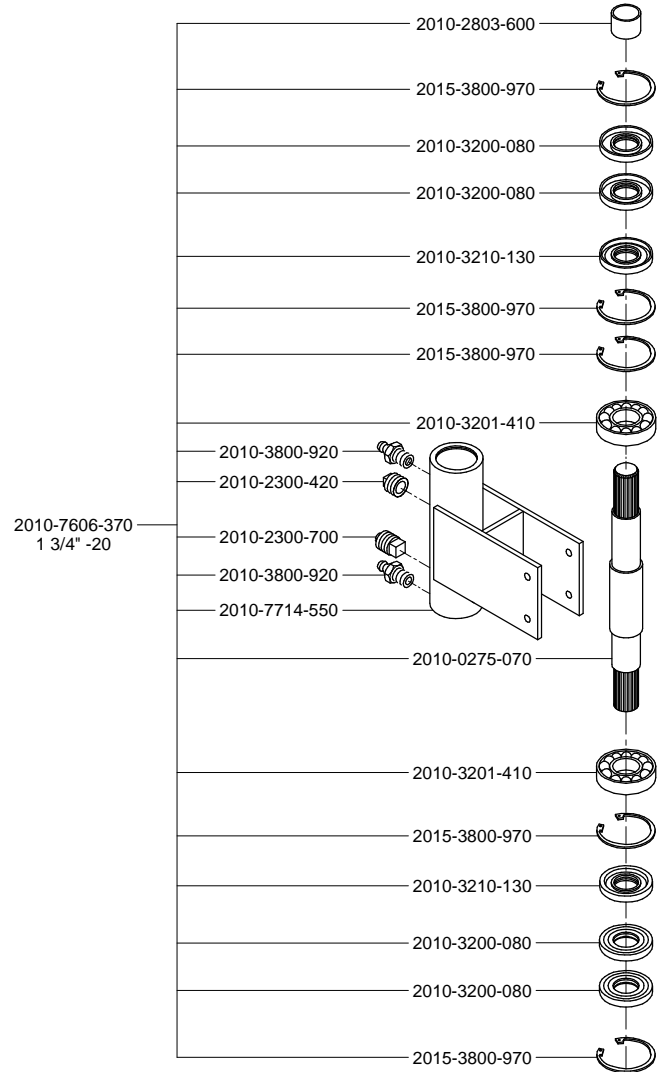
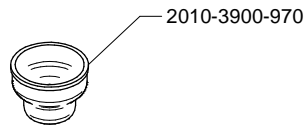
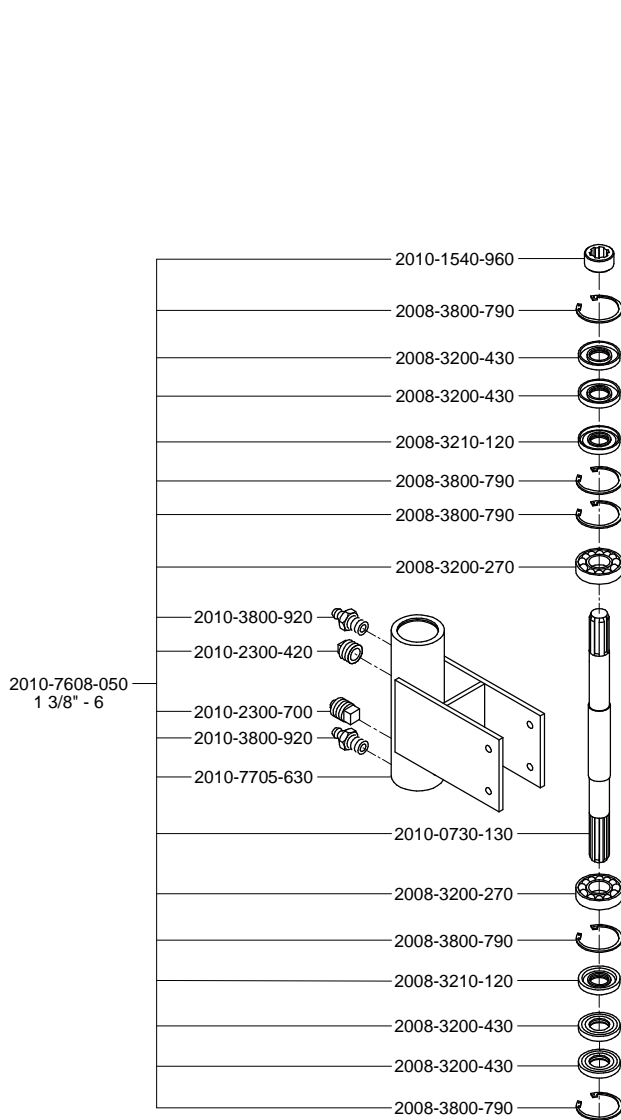
COMPLETE GEAR BOX

RATIO 1 @ 1	RATIO 1 @ 1.11	RATIO 1 @ 1.26	RATIO 1 @ 1.35
2010-2801-270	2010-2804-570 (+10%) 2010-2804-580 (+10%)	2010-2802-110 (+26%) 2010-2804-590 (+26%)	2010-2804-600 (-35%)

INSTALLATION OF SEALS

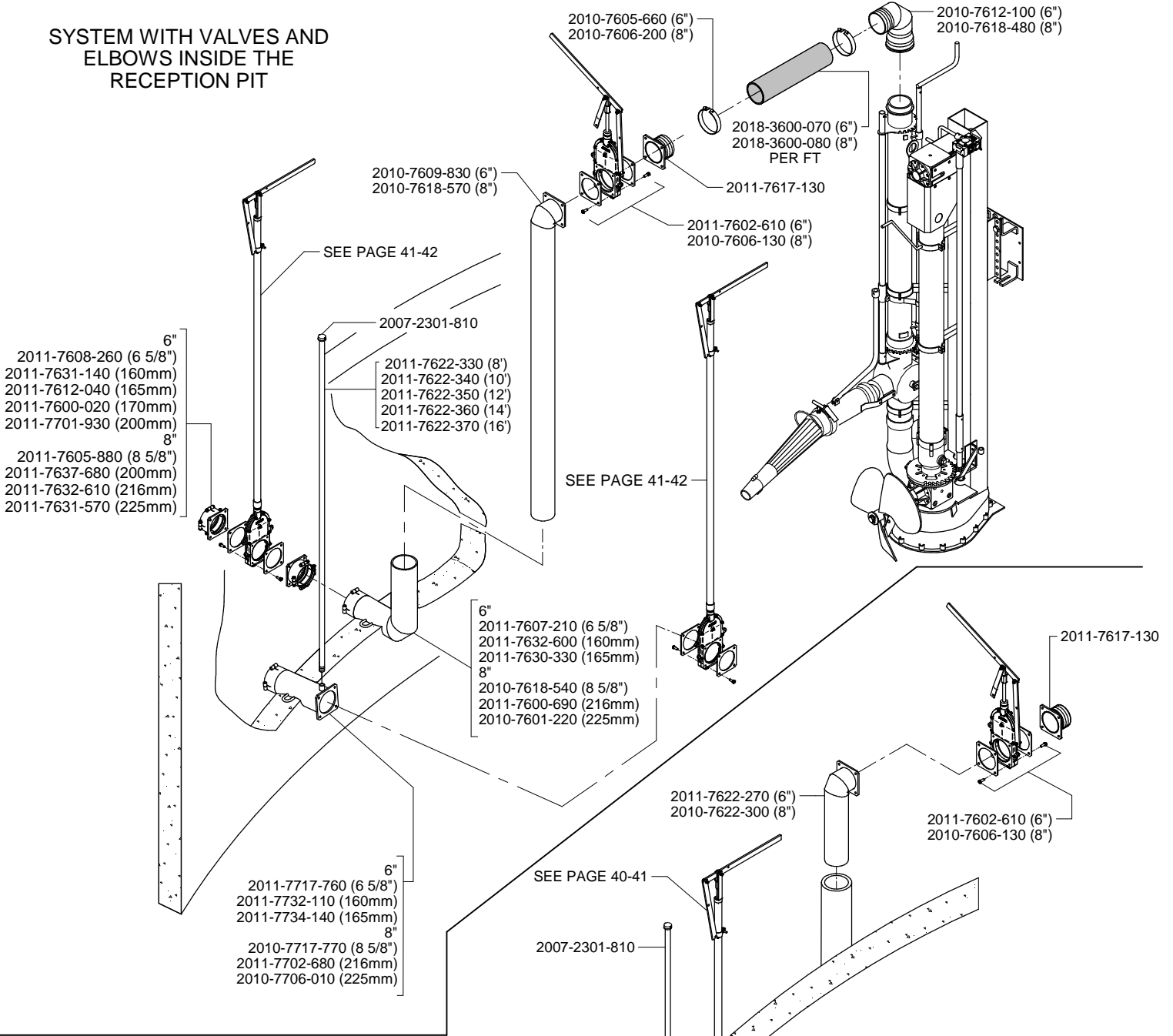


* WITCH 14 TEETH GEAR ONLY.

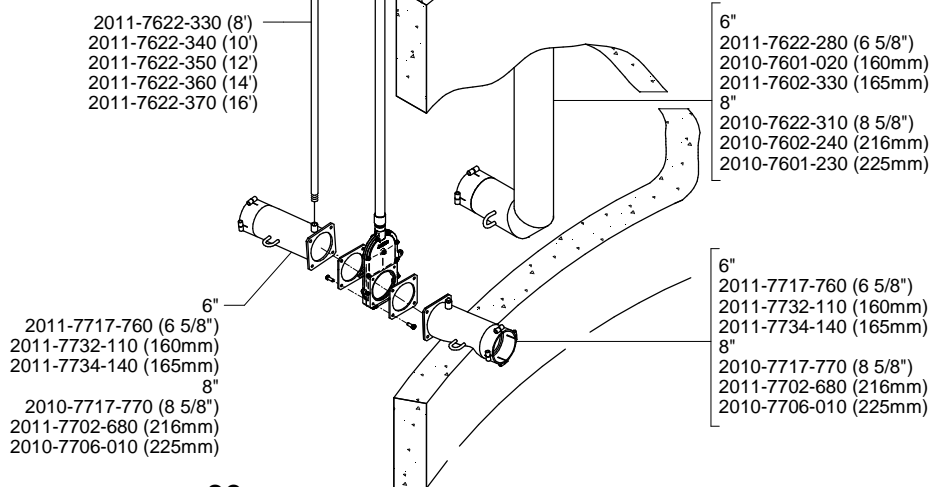


STATIONARY PUMP ACCESSOIRES - Warm barn

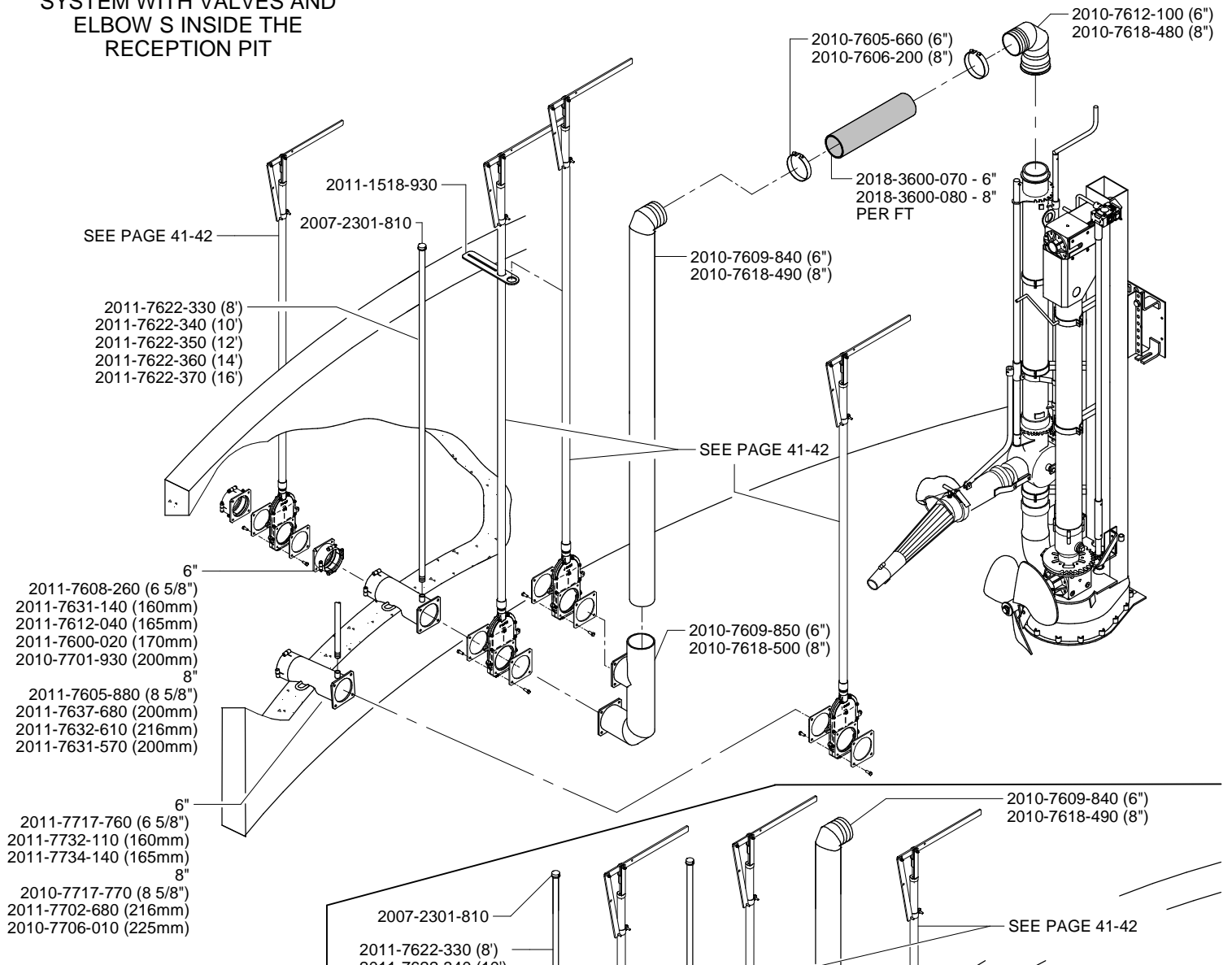
SYSTEM WITH VALVES AND ELBOWS INSIDE THE RECEPTION PIT



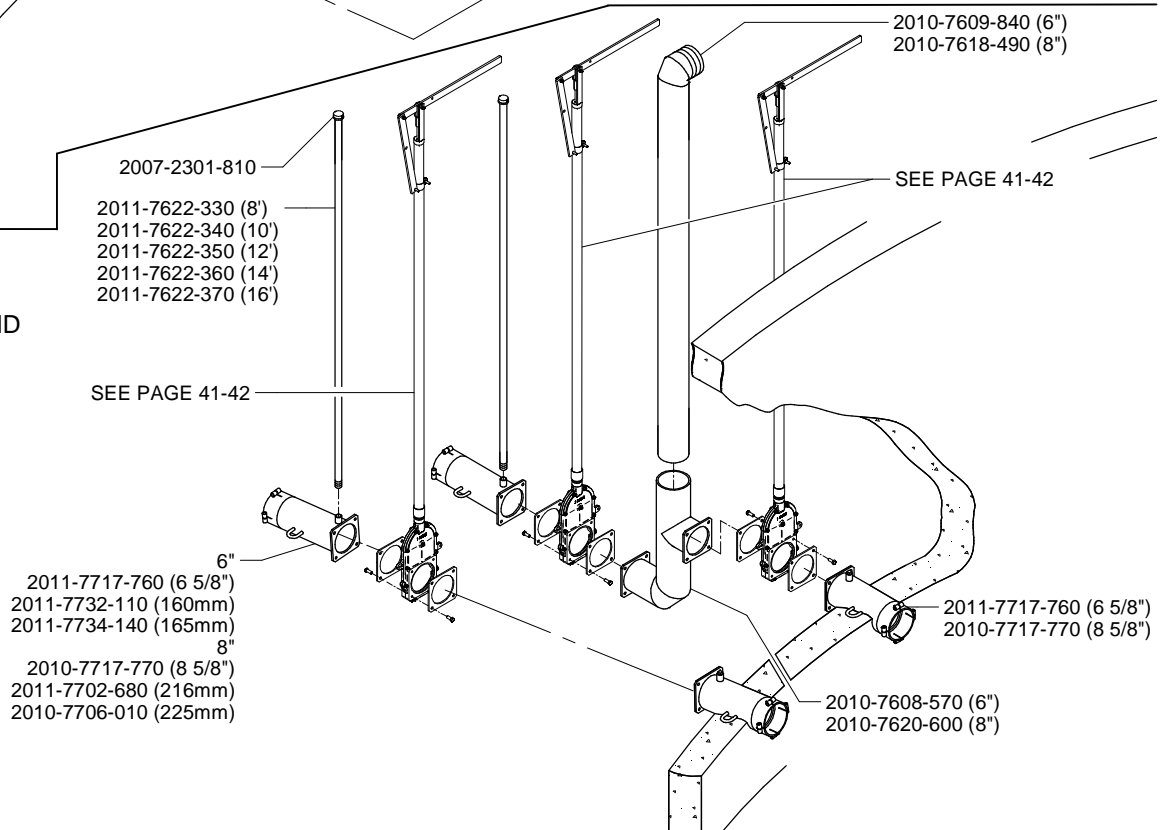
SYSTEM WITH VALVES AND ELBOWS OUTSIDE THE RECEPTION PIT



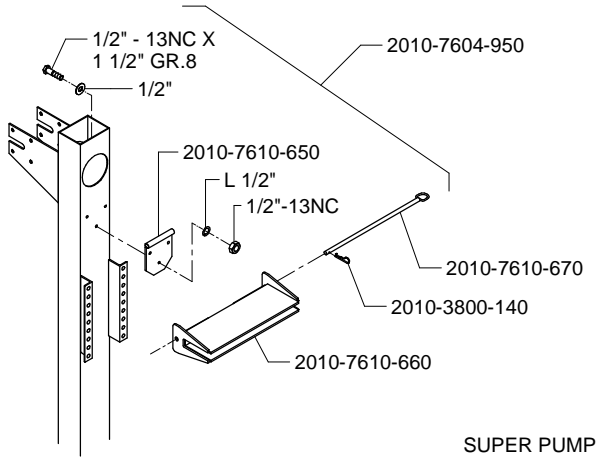
SYSTEM WITH VALVES AND ELBOWS INSIDE THE RECEPTION PIT



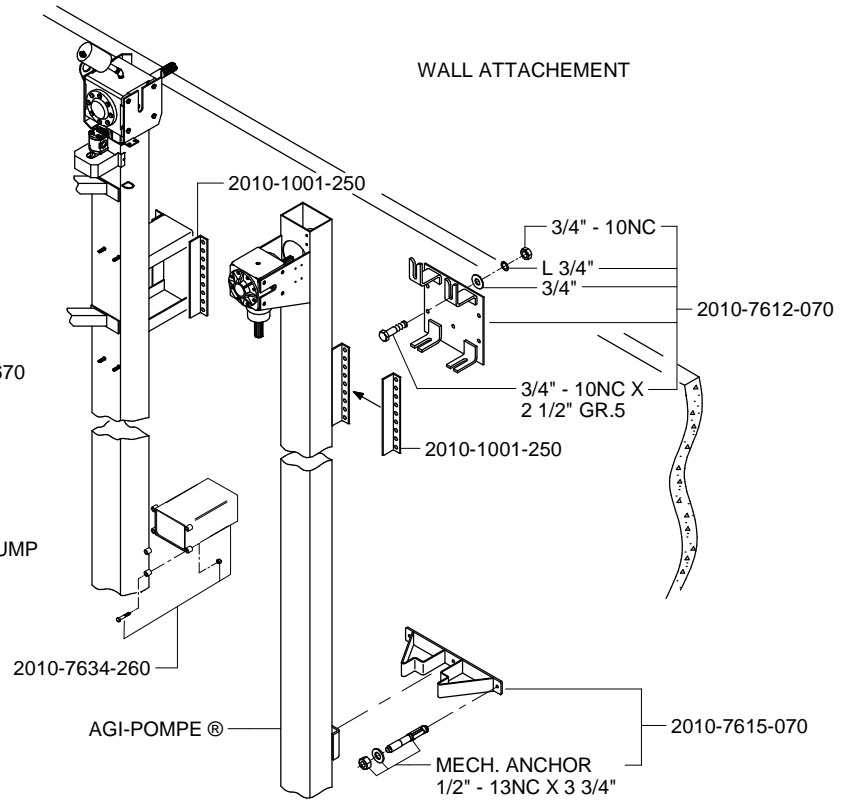
SYSTEM WITH VALVES AND ELBOWS OUTSIDE THE RECEPTION PIT



HOOK FOR TACTOR BUCKET

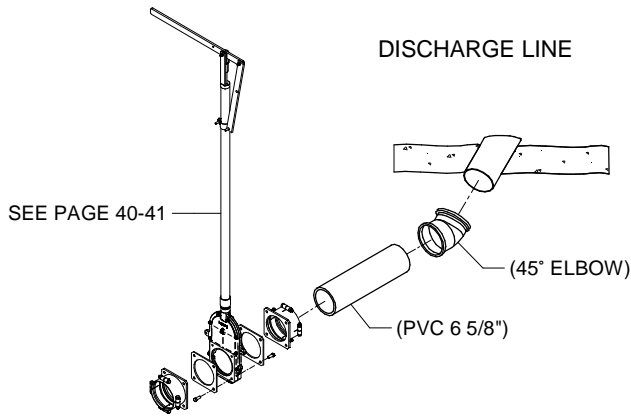


SUPER PUMP

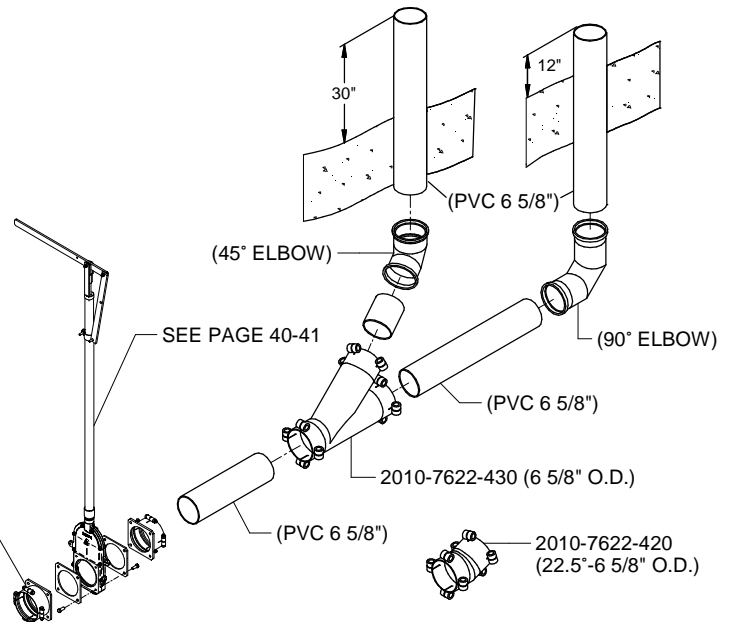


WALL ATTACHEMENT

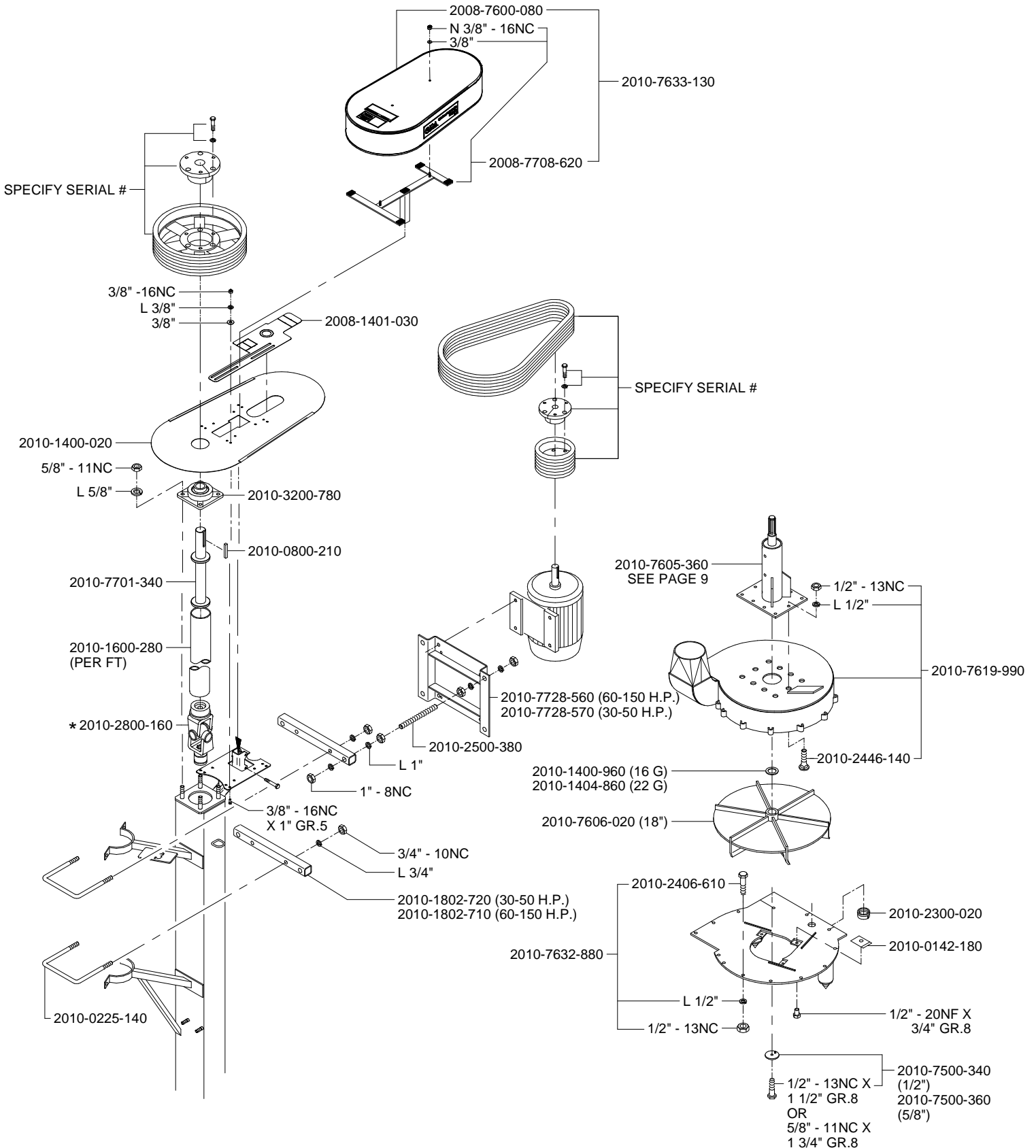
DISCHARGE LINE



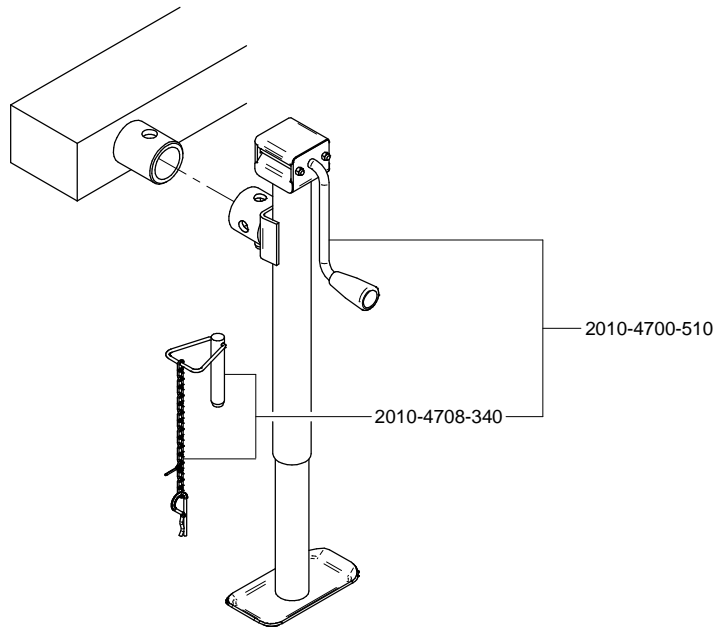
DRAINAGE LINE



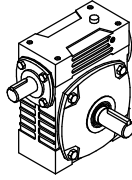
- 6"
- 2011-7608-260 (6 5/8")
- 2011-7631-140 (160mm)
- 2011-7612-040 (165mm)
- 2011-7600-020 (170mm)
- 2011-7701-930 (200mm)
- 8"
- 2011-7605-880 (8 5/8")
- 2011-7637-680 (200mm)
- 2011-7632-610 (216mm)
- 2011-7631-570 (225mm)



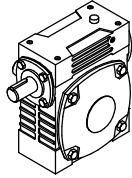
* SEE HARDWARE & ACCESSORIES PAGE 1



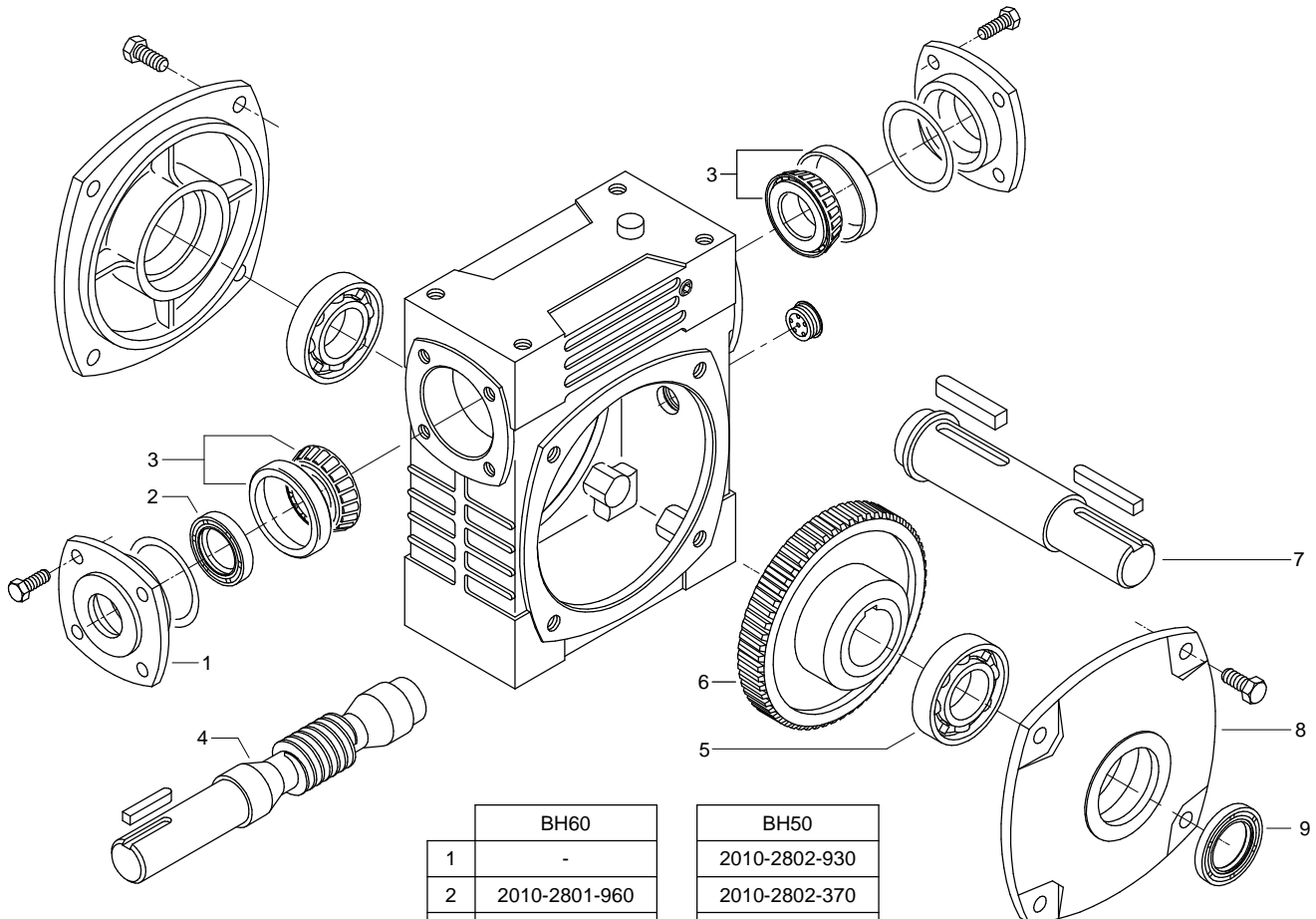
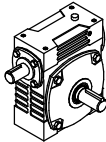
2010-2800-190
 COMPLETE SPEED REDUCER
 MODEL BH60 - RATIO 30/1 - LEFT



2010-2800-180
 COMPLETE SPEED REDUCER
 MODEL BH60 - RATIO 30/1 - RIGHT



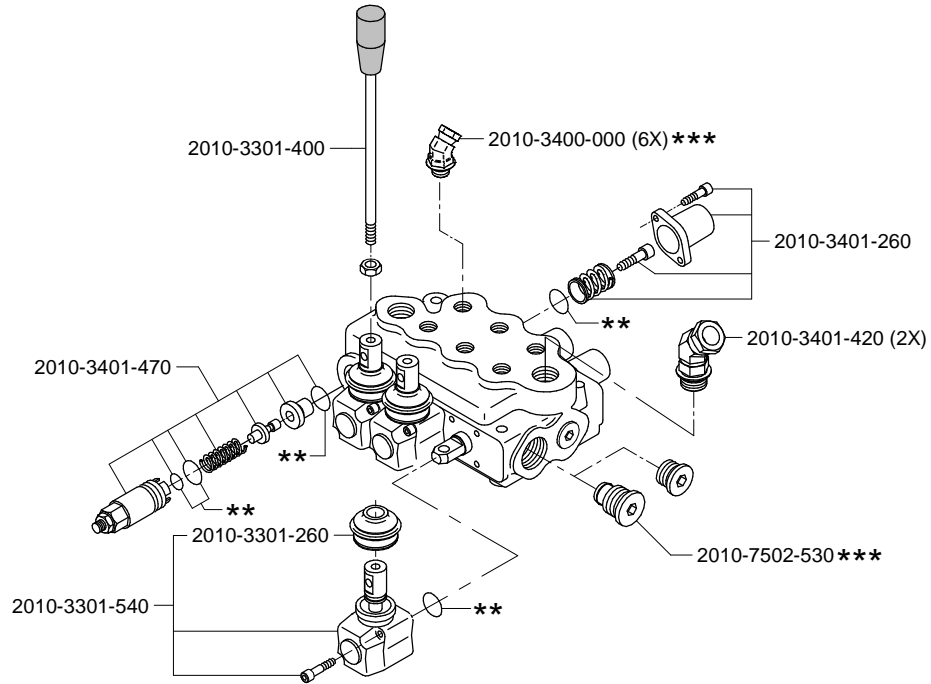
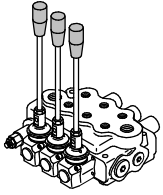
MODEL BH50 - Only spare parts are available



	BH60	BH50
1	-	2010-2802-930
2	2010-2801-960	2010-2802-370
3	2010-2801-980	2010-2801-920
4	2010-2802-090	2010-2802-070
5	2010-2802-000	2010-2801-940
6	2010-2802-080	2010-2802-060
7	2010-2801-990	2010-2801-930
8	2010-2804-310	2010-2802-920
9	2010-2802-020	2010-2801-960

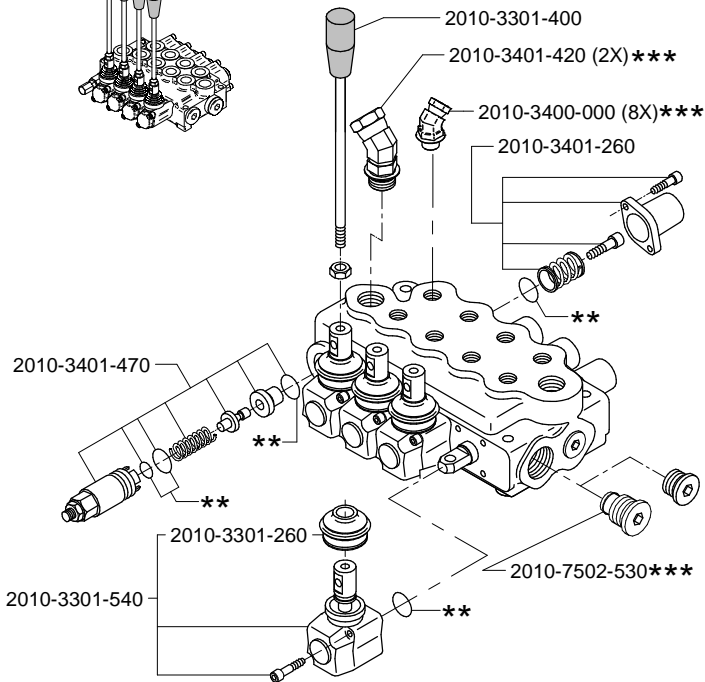
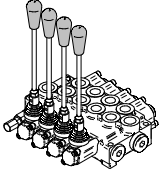
CURRENT MODEL

Complete 3-lever valve
2010-3302-130

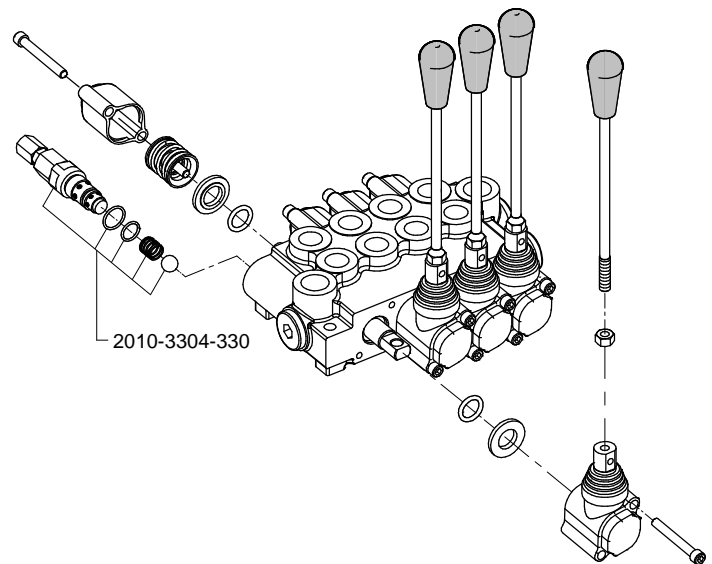


BEFORE JANUARY 2006

Complete 4-lever valve
2010-3301-050



OLD MODEL TO JANUARY 2006 AT DECEMBER 2006

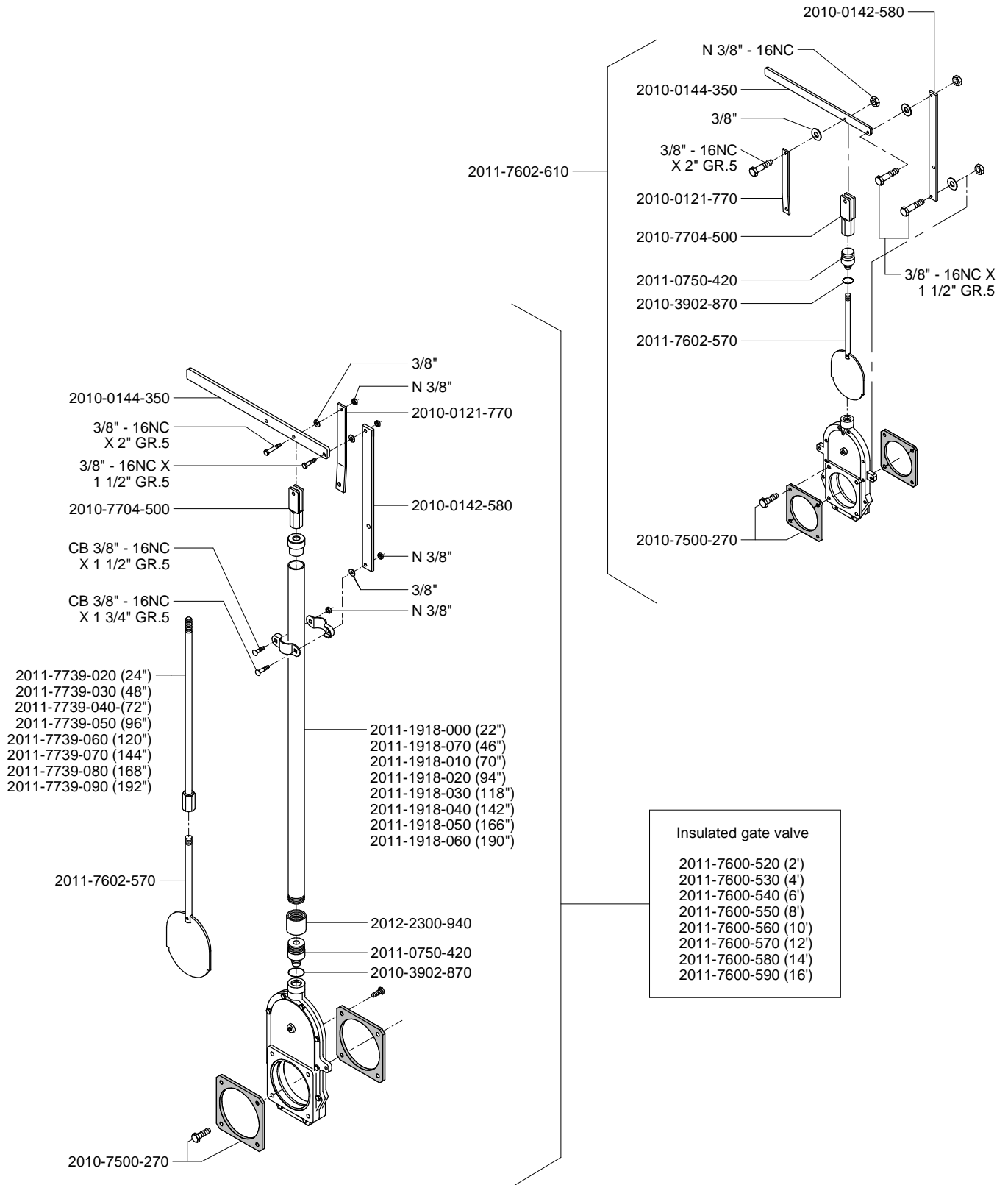


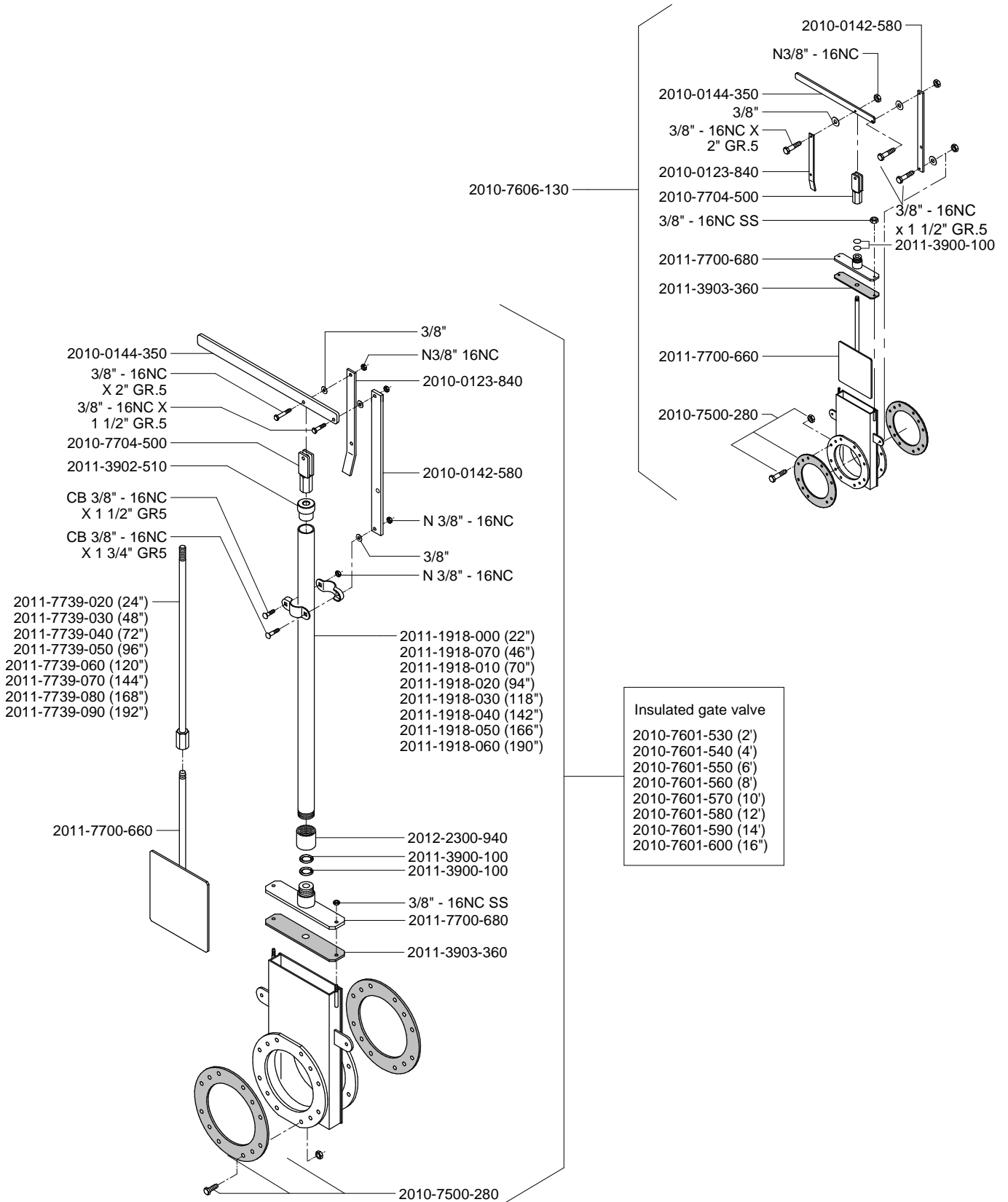
** 2018-3302-010
SEAL KIT (INCLUDES ALL PARTS MARKED WITH A **)
*** NOT INCLUDED WITH COMPLETE VALVE

SEAL AND WASHERS KIT (INCLUDES ALL PARTS MARKED WITH A *)

VERTICAL PTO PUMPS

6" CAST IRON GATE VALVE





Discharge pipe - 6"			
Discharge pipe length (X)	Part Number manual rotation	Part Number rot. with reducer	Part Number hydraulic rotation
30"	2010-7703-860	2010-7704-070	2010-7703-540
36"	2010-7703-870	2010-7704-080	2010-7703-550
42"	2010-7703-880	2010-7704-090	2010-7703-560
48"	2010-7703-900	2010-7704-100	2010-7703-570
54"	2010-7703-910	2010-7704-110	2010-7703-620
60"	2010-7703-920	2010-7704-120	2010-7703-640
66"	2010-7703-930	2010-7704-130	2010-7703-660
72"	2010-7703-940	2010-7704-140	2010-7703-680
78"	2010-7703-950	2010-7704-150	2010-7703-690
84"	2010-7703-960	2010-7704-160	2010-7703-700
90"	2010-7703-970	2010-7704-170	2010-7703-720
96"	2010-7703-980	2010-7704-180	2010-7703-730
102"	2010-7703-990	2010-7704-190	2010-7703-740
108"	2010-7704-000	2010-7704-200	2010-7703-750
114"	2010-7704-010	2010-7704-210	2010-7703-790
120"	2010-7704-020	2010-7704-220	2010-7703-810
126"	2010-7704-030	2010-7704-230	2010-7703-820
132"	2010-7704-040	2010-7704-250	2010-7703-830
138"	2010-7704-050	2010-7704-260	2010-7703-840
144"	2010-7704-060	2010-7704-270	2010-7703-850

Discharge pipe - 8"			
Discharge pipe length (X)	Part Number manual rotation	Part Number rot. with reducer	Part Number hydraulic rotation
33"	2010-7704-780	2010-7705-100	2010-7704-280
39"	2010-7704-790	2010-7705-110	2010-7704-290
45"	2010-7704-800	2010-7705-120	2010-7704-310
51"	2010-7704-820	2010-7705-130	2010-7704-320
57"	2010-7704-830	2010-7705-140	2010-7704-330
63"	2010-7704-840	2010-7705-150	2010-7704-340
69"	2010-7704-850	2010-7705-160	2010-7704-360
75"	2010-7704-860	2010-7705-170	2010-7704-370
81"	2010-7704-870	2010-7705-180	2010-7704-380
87"	2010-7704-900	2010-7705-190	2010-7704-460
93"	2010-7704-910	2010-7705-200	2010-7704-520
99"	2010-7704-940	2010-7705-210	2010-7704-640
105"	2010-7704-960	2010-7705-220	2010-7704-680
111"	2010-7704-980	2010-7705-230	2010-7704-690
117"	2010-7705-020	2010-7705-240	2010-7704-700
123"	2010-7705-030	2010-7705-250	2010-7704-710
129"	2010-7705-040	2010-7705-260	2010-7704-720
135"	2010-7705-050	2010-7705-270	2010-7704-730
141"	2010-7705-060	2010-7705-280	2010-7704-760
147"	2010-7705-070	2010-7705-290	2010-7704-770

Rod tube discharge indicator narrow opening 6"

*Disc. pipe length	X	Part Number
30" Discharge	19"	2010-7706-000
36" Discharge	25"	2010-7706-140
42" Discharge	31"	2010-7706-210
48" Discharge	37"	2010-7706-230
54" Discharge	43"	2010-7706-240
60" Discharge	49"	2010-7706-270
66" Discharge	55"	2010-7706-370
72" Discharge	61"	2010-7706-380
78" Discharge	67"	2010-7706-440
84" Discharge	73"	2010-7706-460
90" Discharge	79"	2010-7706-670
96" Discharge	85"	2010-7707-030
102" Discharge	91"	2010-7707-040
108" Discharge	97"	2010-7707-050
114" Discharge	103"	2010-7707-060
120" Discharge	109"	2010-7707-070
126" Discharge	115"	2010-7707-080
132" Discharge	121"	2010-7707-090
138" Discharge	127"	2010-7707-100
144" Discharge	133"	2010-7707-110

Rod tube discharge indicator 6"

*Disc. pipe length	X	Part Number
30" Discharge	35"	2010-7702-580
36" Discharge	41"	2010-7702-590
42" Discharge	47"	2010-7702-610
48" Discharge	53"	2010-7702-620
54" Discharge	59"	2010-7702-630
60" Discharge	65"	2010-7702-640
66" Discharge	71"	2010-7702-650
72" Discharge	77"	2010-7702-660
78" Discharge	83"	2010-7702-670
84" Discharge	89"	2010-7702-680
90" Discharge	95"	2010-7702-700
96" Discharge	101"	2010-7702-710
102" Discharge	107"	2010-7702-720
108" Discharge	113"	2010-7702-730
114" Discharge	119"	2010-7702-740
120" Discharge	125"	2010-7702-750
126" Discharge	131"	2010-7702-760
132" Discharge	137"	2010-7702-770
138" Discharge	143"	2010-7702-790
144" Discharge	149"	2010-7702-800

Nozzle lifting part 6"

*Disc. pipe length	X	Part Number
30" Discharge	26"	2010-7703-010
36" Discharge	32"	2010-7703-020
42" Discharge	38"	2010-7703-030
48" Discharge	44"	2010-7703-040
54" Discharge	50"	2010-7703-050
60" Discharge	56"	2010-7703-060
66" Discharge	62"	2010-7703-080
72" Discharge	68"	2010-7703-090
78" Discharge	74"	2010-7703-100
84" Discharge	80"	2010-7703-110
90" Discharge	86"	2010-7703-120
96" Discharge	92"	2010-7703-130
102" Discharge	98"	2010-7703-140
108" Discharge	104"	2010-7703-180
114" Discharge	110"	2010-7703-190
120" Discharge	116"	2010-7703-200
126" Discharge	122"	2010-7703-210
132" Discharge	128"	2010-7703-220
138" Discharge	134"	2010-7703-230
144" Discharge	140"	2010-7703-240

Rod tube discharge indicator 8"

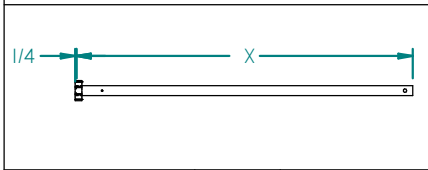
*Disc. pipe length	X	Part Number
33" Discharge	35"	2010-7702-580
39" Discharge	41"	2010-7702-590
45" Discharge	47"	2010-7702-610
51" Discharge	53"	2010-7702-620
57" Discharge	59"	2010-7702-630
63" Discharge	65"	2010-7702-640
69" Discharge	71"	2010-7702-650
75" Discharge	77"	2010-7702-660
81" Discharge	83"	2010-7702-670
87" Discharge	89"	2010-7702-680
93" Discharge	95"	2010-7702-700
99" Discharge	101"	2010-7702-710
105" Discharge	107"	2010-7702-720
111" Discharge	113"	2010-7702-730
114" Discharge	119"	2010-7702-740
123" Discharge	125"	2010-7702-750
129" Discharge	131"	2010-7702-760
135" Discharge	137"	2010-7702-770
141" Discharge	143"	2010-7702-790
147" Discharge	149"	2010-7702-800

Nozzle lifting part 8"

*Disc. pipe length	X	Part Number
33" Discharge	26"	2010-7703-010
39" Discharge	32"	2010-7703-020
45" Discharge	38"	2010-7703-030
51" Discharge	44"	2010-7703-040
57" Discharge	50"	2010-7703-050
63" Discharge	56"	2010-7703-060
69" Discharge	62"	2010-7703-080
75" Discharge	68"	2010-7703-090
81" Discharge	74"	2010-7703-100
87" Discharge	80"	2010-7703-110
93" Discharge	86"	2010-7703-120
99" Discharge	92"	2010-7703-130
105" Discharge	98"	2010-7703-140
111" Discharge	104"	2010-7703-180
114" Discharge	110"	2010-7703-190
123" Discharge	116"	2010-7703-200
129" Discharge	122"	2010-7703-210
135" Discharge	128"	2010-7703-220
141" Discharge	134"	2010-7703-230
147" Discharge	140"	2010-7703-240

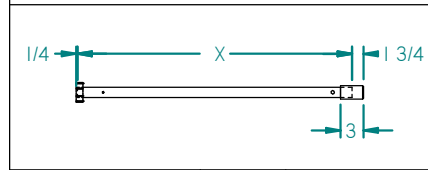
*See Annexe A for determinate the discharge pipe length

Manual rotation shaft for 6" discharge pipe



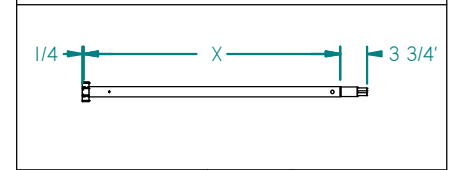
*Disc. pipe length	X	Part Number
30" Discharge	41"	2010-7702-310
36" Discharge	47"	2010-7702-320
42" Discharge	53"	2010-7702-330
48" Discharge	59"	2010-7702-340
54" Discharge	65"	2010-7702-350
60" Discharge	71"	2010-7702-360
66" Discharge	77"	2010-7702-370
72" Discharge	83"	2010-7702-390
78" Discharge	89"	2010-7702-400
84" Discharge	95"	2010-7702-440
90" Discharge	101"	2010-7702-450
96" Discharge	107"	2010-7702-460
102" Discharge	113"	2010-7702-470
108" Discharge	119"	2010-7702-480
114" Discharge	125"	2010-7702-490
120" Discharge	131"	2010-7702-510
126" Discharge	137"	2010-7702-520
132" Discharge	143"	2010-7702-540
138" Discharge	149"	2010-7702-550
144" Discharge	155"	2010-7702-560

Rotation shaft with reducer for 6" discharge pipe



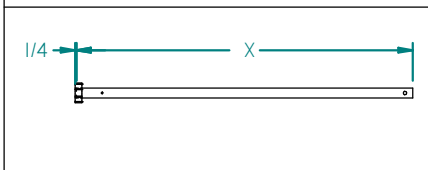
*Disc. pipe length	X	Part Number
30" Discharge	22"	2010-7702-020
36" Discharge	28"	2010-7702-030
42" Discharge	34"	2010-7702-040
48" Discharge	40"	2010-7702-050
54" Discharge	46"	2010-7702-060
60" Discharge	52"	2010-7702-070
66" Discharge	58"	2010-7702-080
72" Discharge	64"	2010-7702-090
78" Discharge	70"	2010-7702-100
84" Discharge	76"	2010-7702-110
90" Discharge	82"	2010-7702-120
96" Discharge	88"	2010-7702-200
102" Discharge	94"	2010-7702-220
108" Discharge	100"	2010-7702-230
114" Discharge	106"	2010-7702-240
120" Discharge	112"	2010-7702-250
126" Discharge	118"	2010-7702-260
132" Discharge	124"	2010-7702-280
138" Discharge	130"	2010-7702-290
144" Discharge	136"	2010-7702-300

Hydraulic rotation shaft for 6" discharge pipe



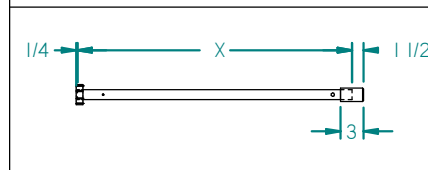
*Disc. pipe length	X	Part Number
30" Discharge	10"	
36" Discharge	16"	
42" Discharge	22"	2010-7701-600
48" Discharge	28"	2010-7701-610
54" Discharge	34"	2010-7701-620
60" Discharge	40"	2010-7701-630
66" Discharge	46"	2010-7701-640
72" Discharge	52"	2010-7701-650
78" Discharge	58"	2010-7701-660
84" Discharge	64"	2010-7701-670
90" Discharge	70"	2010-7701-680
96" Discharge	76"	2010-7701-690
102" Discharge	82"	2010-7701-700
108" Discharge	88"	2010-7701-710
114" Discharge	94"	2010-7701-720
120" Discharge	100"	2010-7701-730
126" Discharge	106"	2010-7701-740
132" Discharge	112"	2010-7701-750
138" Discharge	118"	2010-7701-760
144" Discharge	124"	2010-7701-770

Manual rotation shaft for 8" discharge pipe



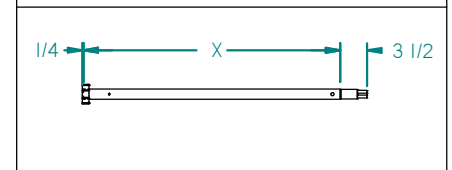
*Disc. pipe length	X	Part Number
33" Discharge	41"	2010-7702-310
39" Discharge	47"	2010-7702-320
45" Discharge	53"	2010-7702-330
51" Discharge	59"	2010-7702-340
57" Discharge	65"	2010-7702-350
63" Discharge	71"	2010-7702-360
69" Discharge	77"	2010-7702-370
75" Discharge	83"	2010-7702-390
81" Discharge	89"	2010-7702-400
87" Discharge	95"	2010-7702-440
93" Discharge	101"	2010-7702-450
99" Discharge	107"	2010-7702-460
105" Discharge	113"	2010-7702-470
111" Discharge	119"	2010-7702-480
114" Discharge	125"	2010-7702-490
123" Discharge	131"	2010-7702-500
129" Discharge	137"	2010-7702-510
135" Discharge	143"	2010-7702-520
141" Discharge	149"	2010-7702-540
147" Discharge	155"	2010-7702-550

Rotation shaft with reducer for 8" discharge pipe



*Disc. pipe length	X	Part Number
33" Discharge	22"	2010-7702-020
39" Discharge	28"	2010-7702-030
45" Discharge	34"	2010-7702-040
51" Discharge	40"	2010-7702-050
57" Discharge	46"	2010-7702-060
63" Discharge	52"	2010-7702-070
69" Discharge	58"	2010-7702-080
75" Discharge	64"	2010-7702-090
81" Discharge	70"	2010-7702-100
87" Discharge	76"	2010-7702-110
93" Discharge	82"	2010-7702-120
99" Discharge	88"	2010-7702-200
105" Discharge	94"	2010-7702-220
111" Discharge	100"	2010-7702-230
114" Discharge	106"	2010-7702-240
123" Discharge	112"	2010-7702-250
129" Discharge	118"	2010-7702-260
135" Discharge	124"	2010-7702-280
141" Discharge	130"	2010-7702-290
147" Discharge	136"	2010-7702-300

Hydraulic rotation shaft for 8" discharge pipe



*Disc. pipe length	X	Part Number
33" Discharge	10"	
39" Discharge	16"	
45" Discharge	22"	2010-7701-600
51" Discharge	28"	2010-7701-610
57" Discharge	34"	2010-7701-620
63" Discharge	40"	2010-7701-630
69" Discharge	46"	2010-7701-640
75" Discharge	52"	2010-7701-650
81" Discharge	58"	2010-7701-660
87" Discharge	64"	2010-7701-670
93" Discharge	70"	2010-7701-680
99" Discharge	76"	2010-7701-690
105" Discharge	82"	2010-7701-700
111" Discharge	88"	2010-7701-710
114" Discharge	94"	2010-7701-720
123" Discharge	100"	2010-7701-730
129" Discharge	106"	2010-7701-740
135" Discharge	112"	2010-7701-750
141" Discharge	118"	2010-7701-760
147" Discharge	124"	2010-7701-770

*See Annexe A for determinate the discharge pipe length

DISCHARGE PIPE WITH SECOND NOZZLE OPTION CHART

6" discharge pipe with 2nd nozzle option	
Dimension X	Part Number
12"	2010-7703-250
18"	2010-7703-260
24"	2010-7703-270
30"	2010-7703-280
36"	2010-7703-290
42"	2010-7703-300
48"	2010-7703-310
54"	2010-7703-320
60"	2010-7703-350
66"	2010-7703-360
72"	2010-7703-370
78"	2010-7703-380
84"	2010-7703-390
90"	2010-7703-400
96"	2010-7703-450
102"	2010-7703-460
108"	2010-7703-470
114"	2010-7703-480
120"	2010-7703-490
126"	2010-7703-500
132"	2010-7703-510
138"	2010-7703-520
144"	2010-7703-530

Note: Hardware included

8" discharge pipe with 2nd nozzle option	
Dimension X	Numéro de Pièce Part Number
18"	2010-7705-300
24"	2010-7705-310
30"	2010-7705-320
36"	2010-7705-330
42"	2010-7705-340
48"	2010-7705-350
54"	2010-7705-360
60"	2010-7705-370
66"	2010-7705-380
72"	2010-7705-390
78"	2010-7705-400
84"	2010-7705-410
90"	2010-7705-420
96"	2010-7705-430
102"	2010-7705-440
108"	2010-7705-450
114"	2010-7705-460
120"	2010-7705-470
126"	2010-7705-480
132"	2010-7705-550
138"	2010-7705-560
144"	2010-7705-610

Note: Hardware included

