

Table of contents.....01

Screen and deflector..... 02

Screen specifications..... 03

Front and side deck.....04

Access door since March, 2014..... 05

Access door before March, 2014..... 06

Roll-up canvas - Upper section..... 07

Roll-up canvas - Bottom section..... 08

Drain.....09

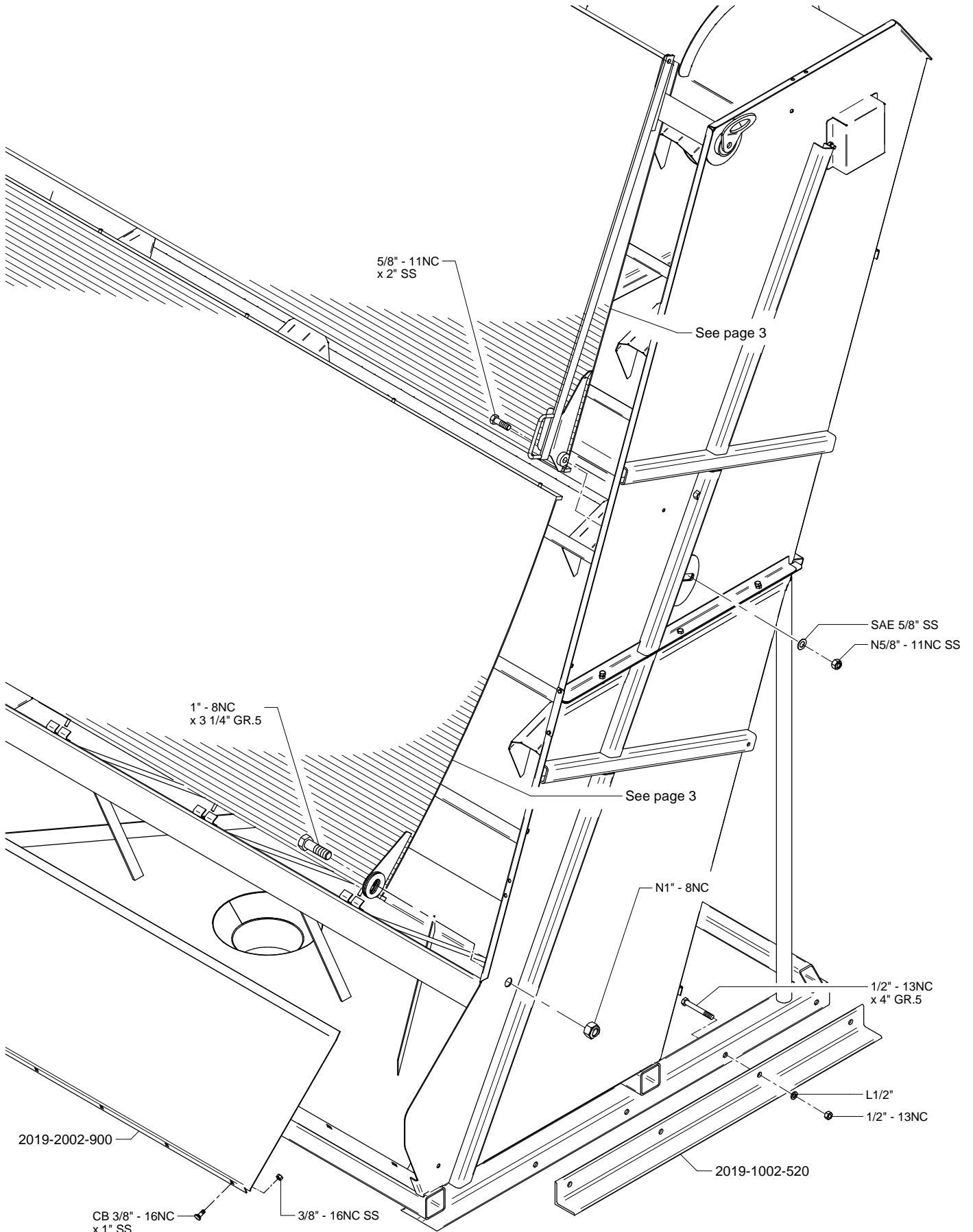
Intake.....10

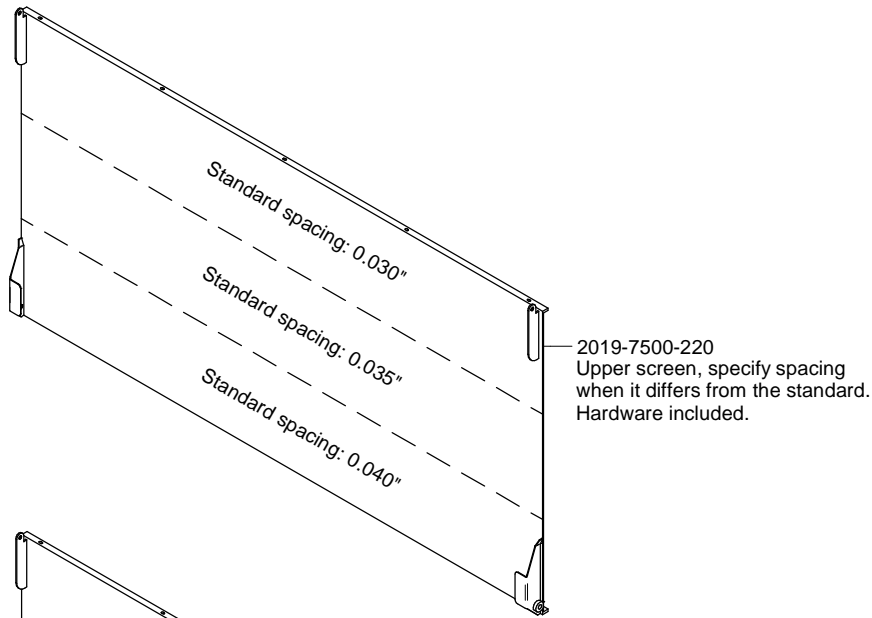
6" Cast iron gate valve..... 11

Flow regulator..... 12

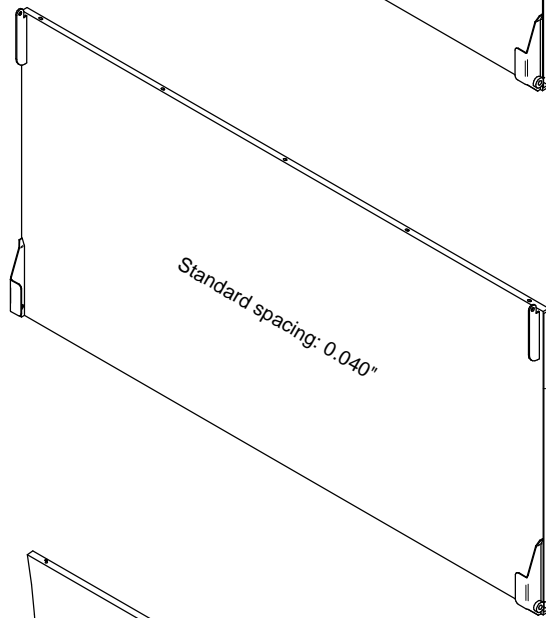
Winch to service screens - Before 2013.....13

Hardware Identification	
Type	Designation
Hexagonal bolt	-
Carriage bolt	CB
Square head bolt	SB
Socket head cap screw	SCS
Socket head set screw	SSS
Flat head cap screw	FCS
Hexagon nut	-
Hexagon nylon lock nut	N
Hexagon oval lock nut	OVL
Hexagon tri-lock nut	TRI
Castle nut	CSL
Flange nut	FLN
Wing nut	WNG
Flat washer	-
Lock washer	L
SAE washer	SAE
Large ext. dia. washer	LD
Small ext. dia. washer	SD
Stainless steel bolts parts	SS

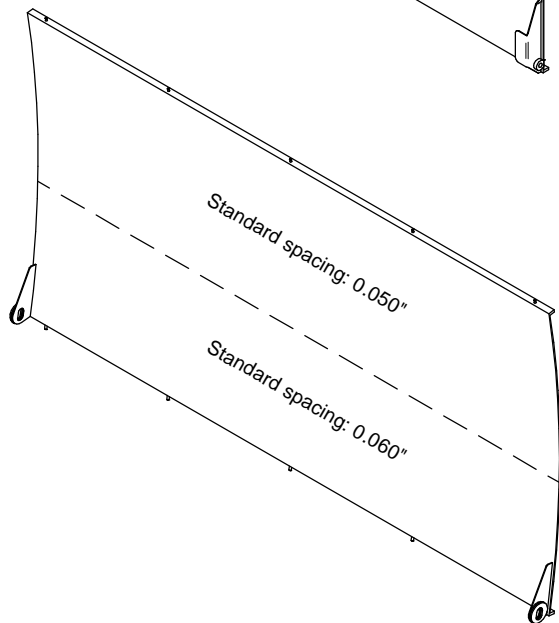




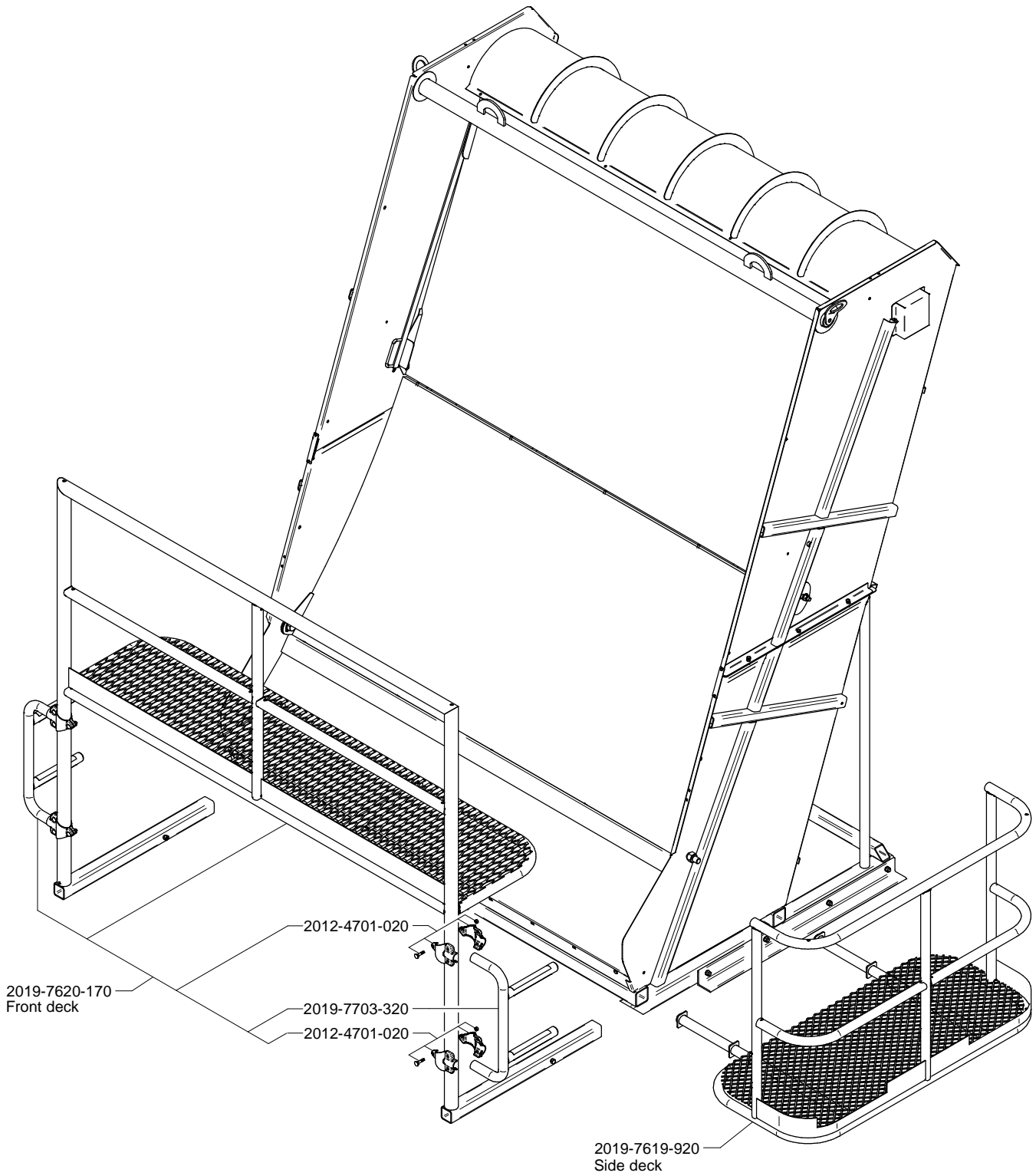
2019-7500-220
 Upper screen, specify spacing when it differs from the standard.
 Hardware included.

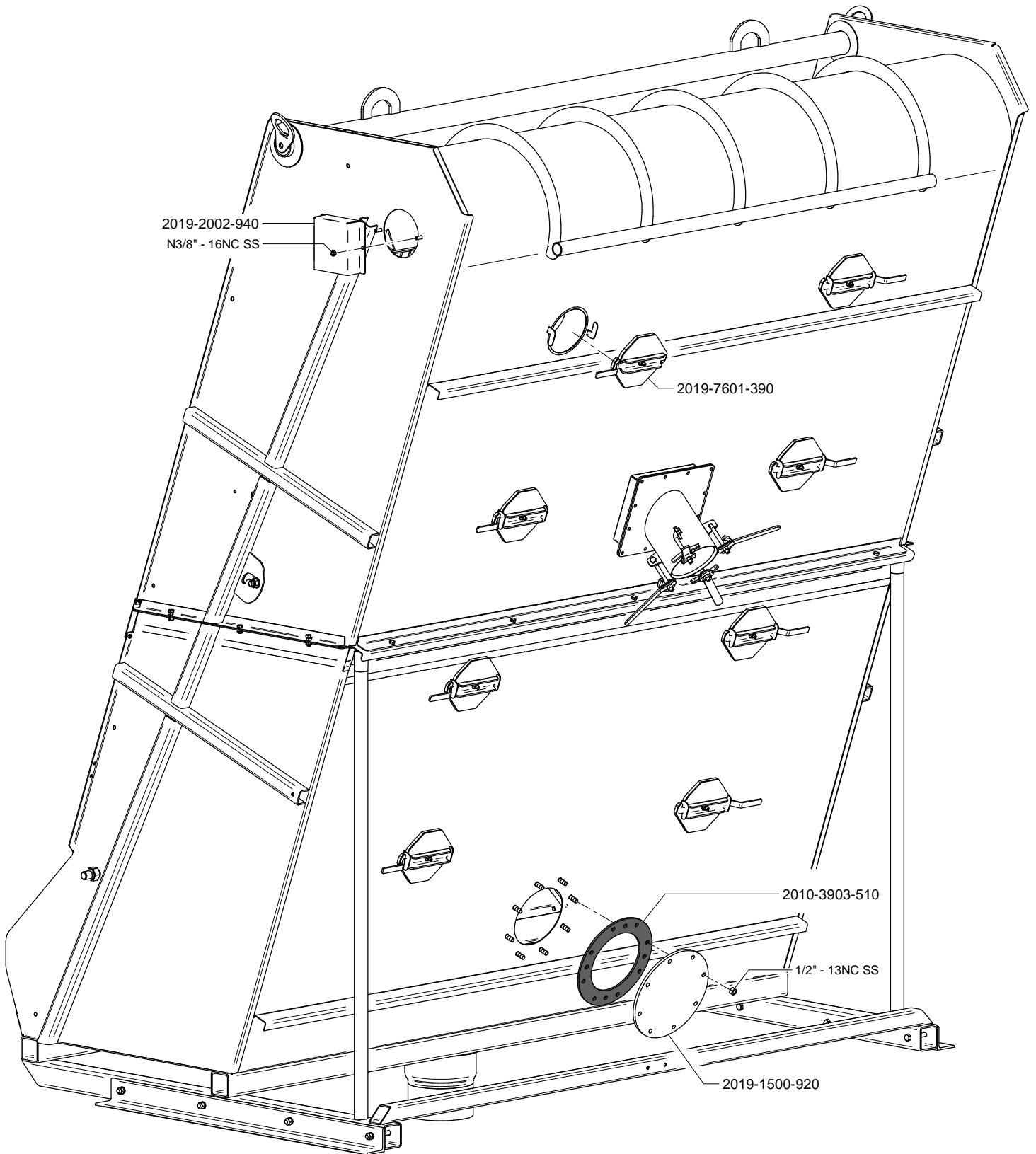


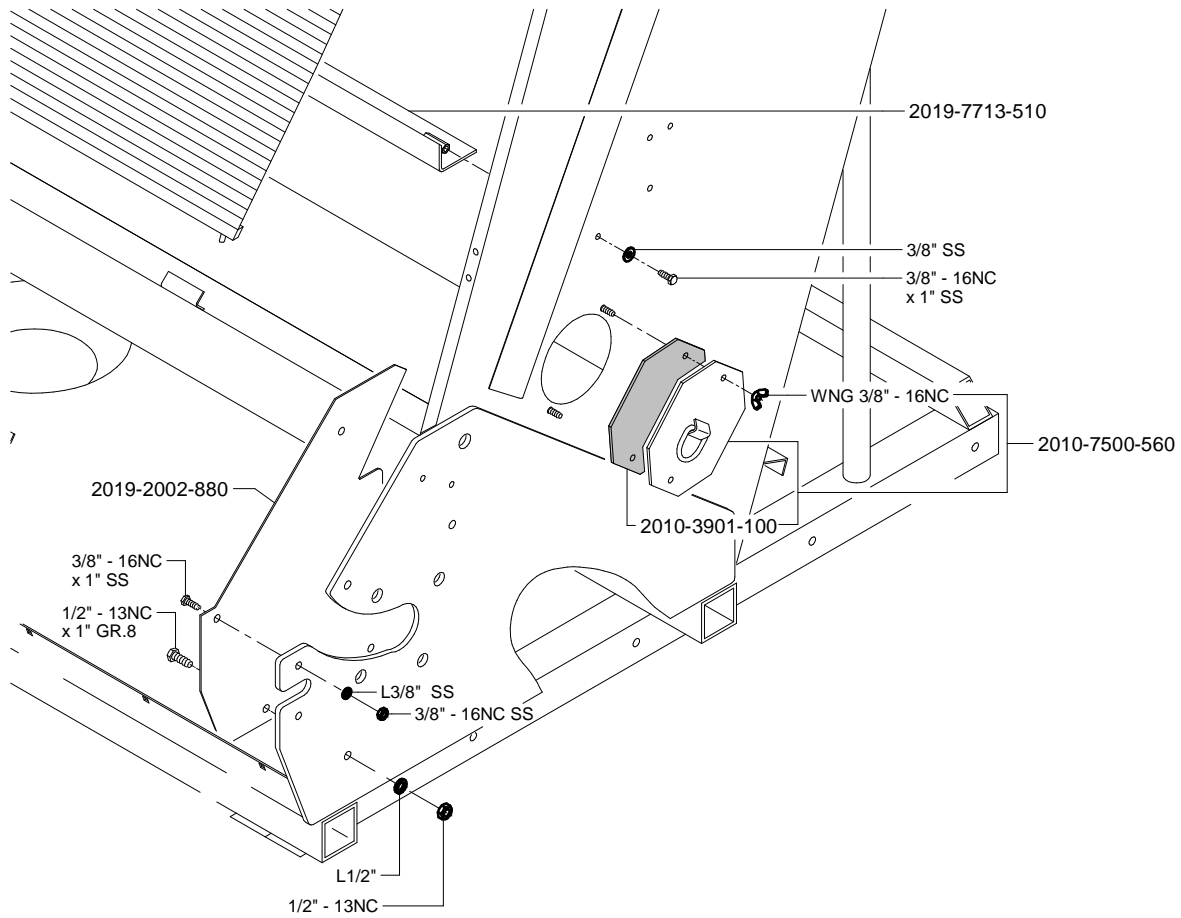
2019-7500-300
 Middle screen (8' x 12'), specify spacing when it differs from the standard.
 Hardware included.

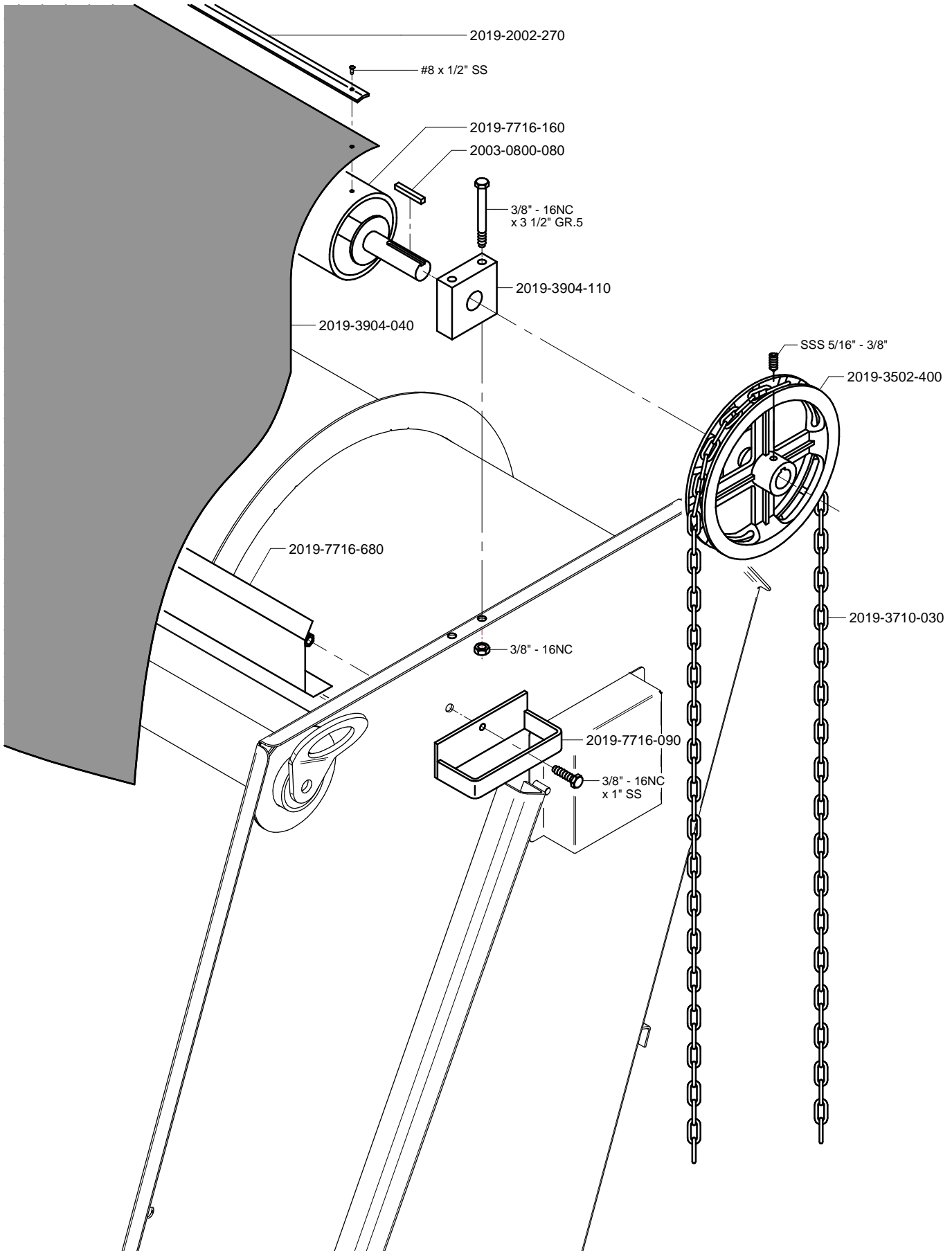


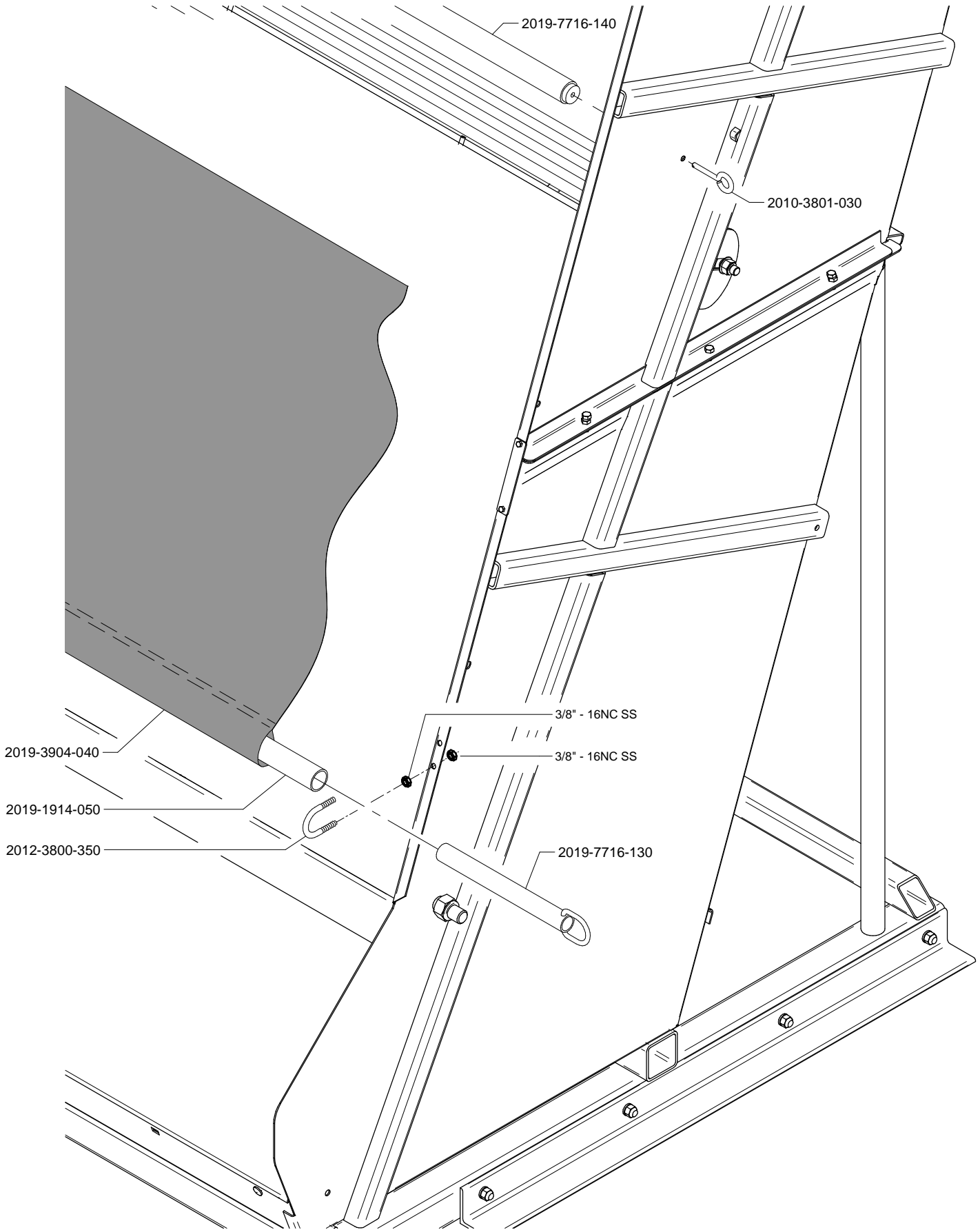
2019-7500-230
 Lower screen, specify spacing when it differs from the standard.
 Hardware included.

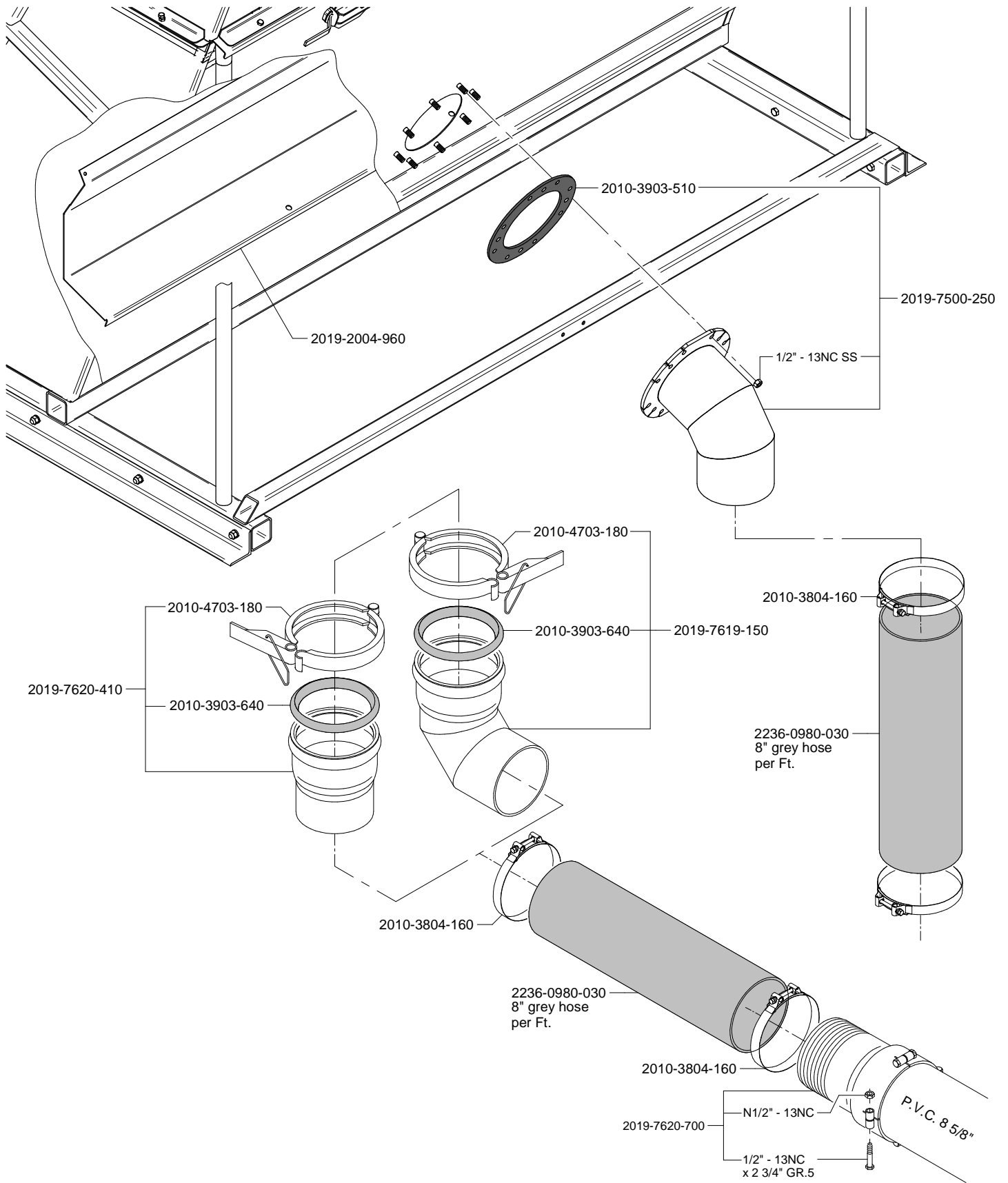


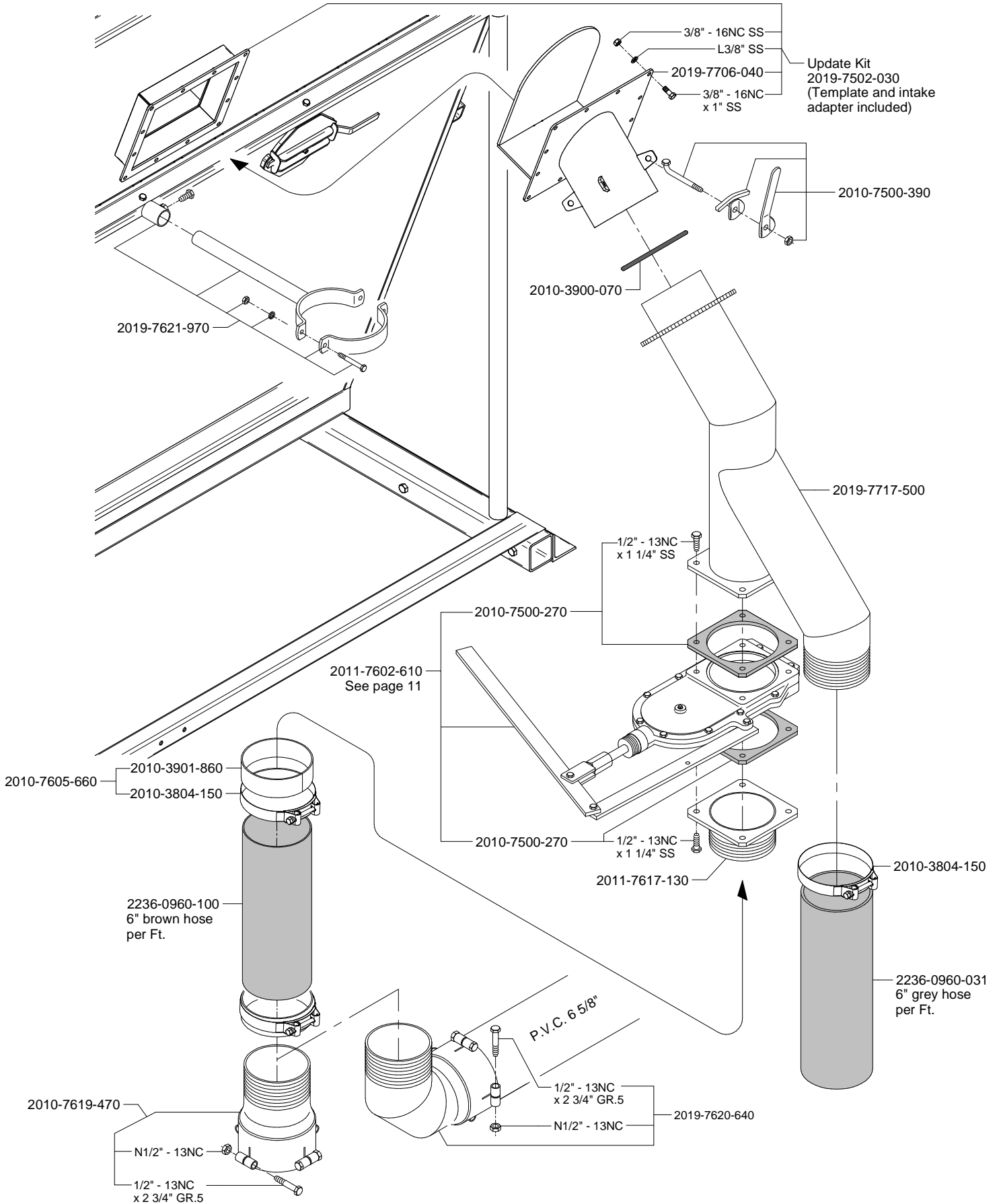












Complete cast iron gate valve
2011-7602-610

