

Table of contents..... 01

20" Maxi-Pump on 3-Point Hitch.....02-03

28" Maxi-Pump on 3-Point Hitch.....04-05

20" Maxi-Pump on Trailer..... 06-07

28" Maxi-Pump on Trailer..... 08-09

Bearing Housing and Wheel Hub.....10-11

Kit for Solid Manure Platform.....12

Sidemount Agitator Kit & Maxi-Pump.....13-14

Speed Reducer.....15

45° Port Hole Agitation.....16

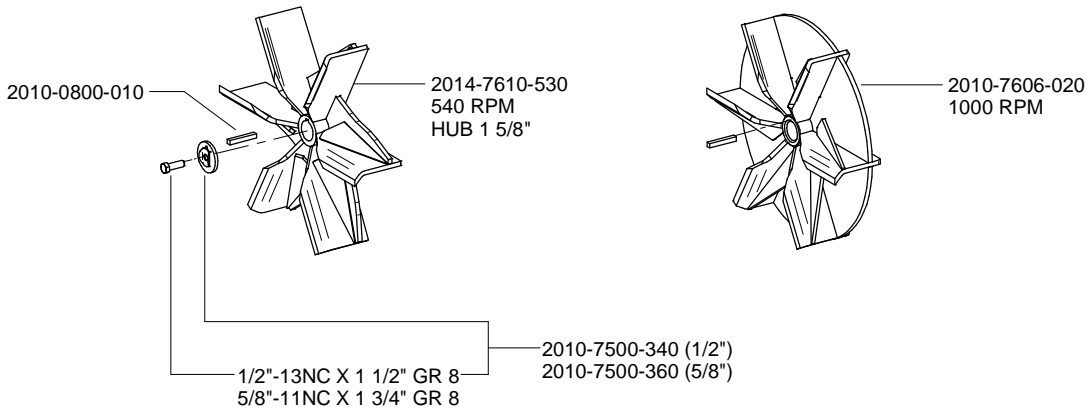
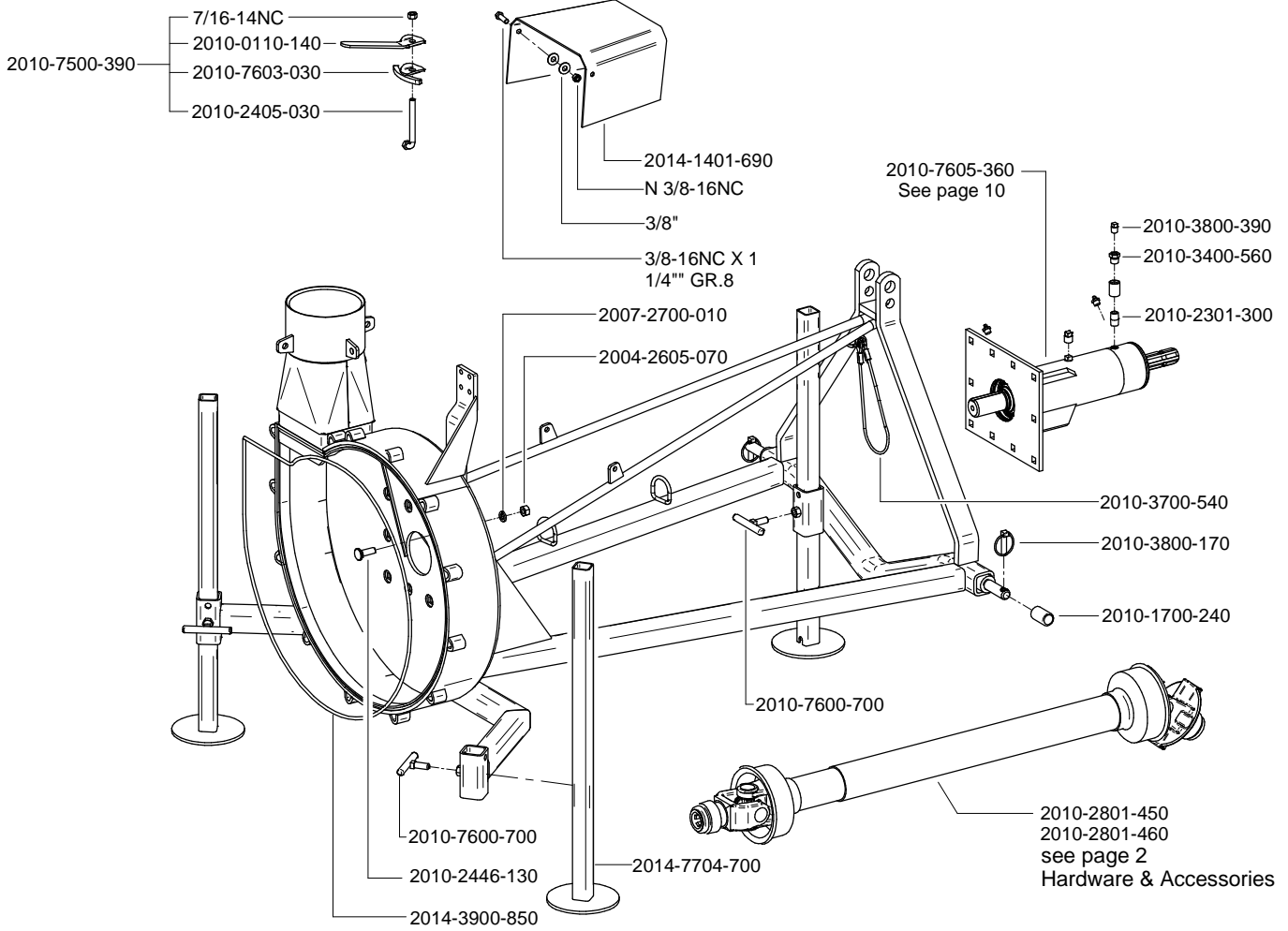
Rotative Directional Valve.....17

Primer Pump and Liquid Manure Collector Tank.....18-19

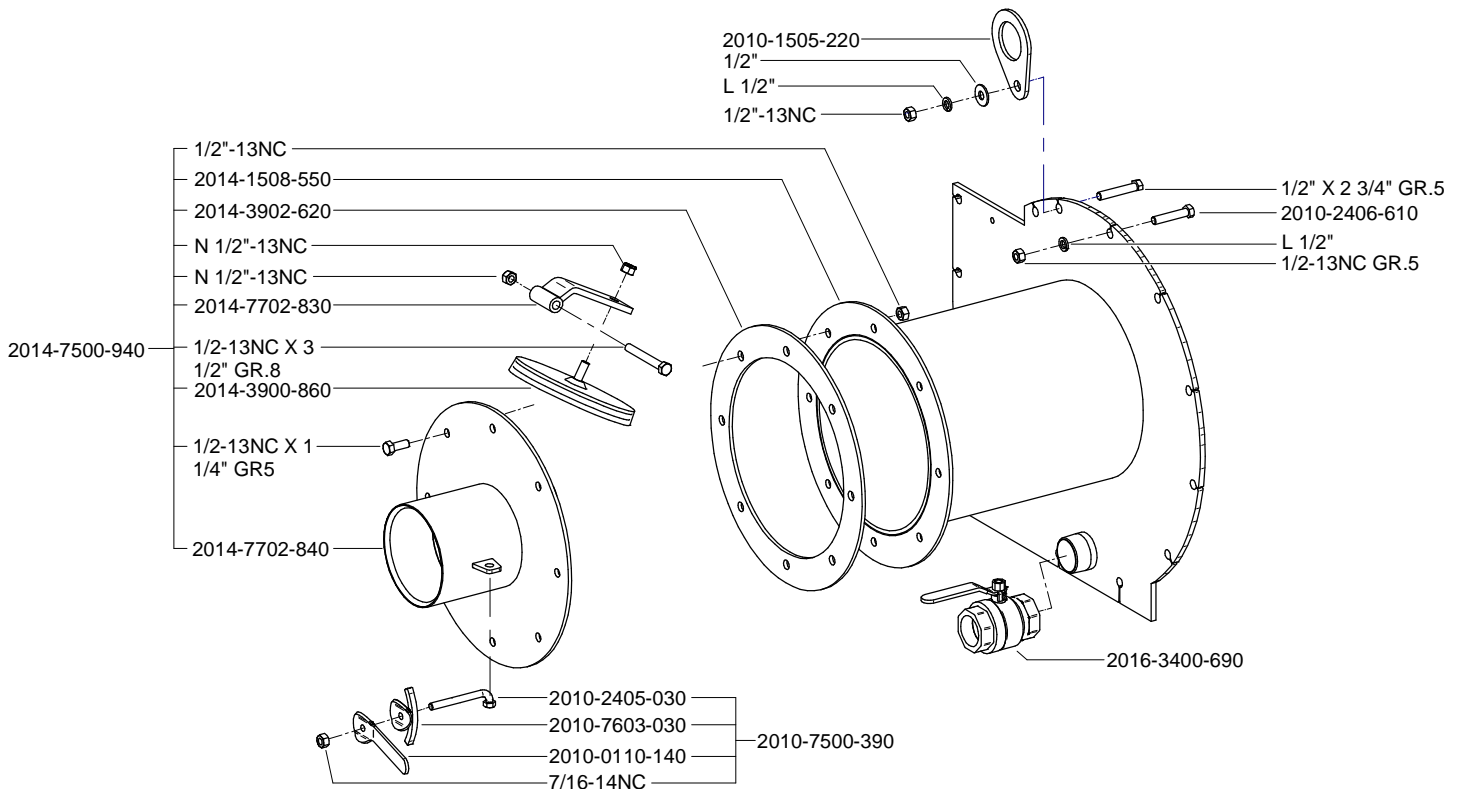
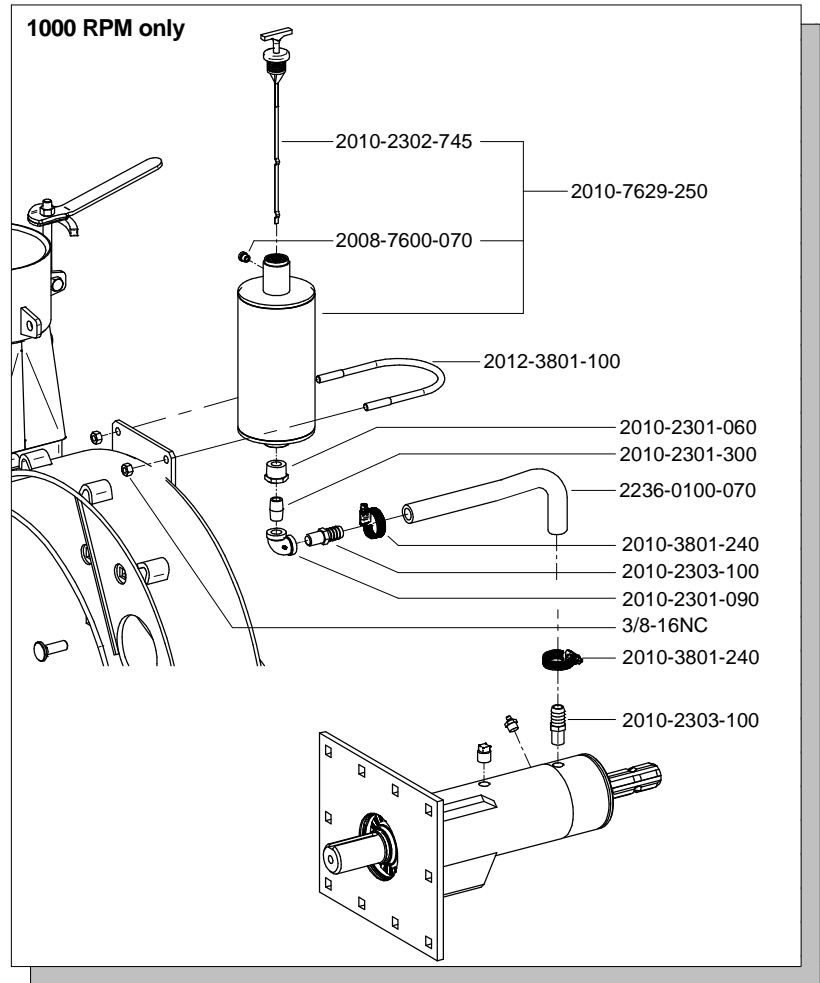
Hydraulic Primer Pump..... 20

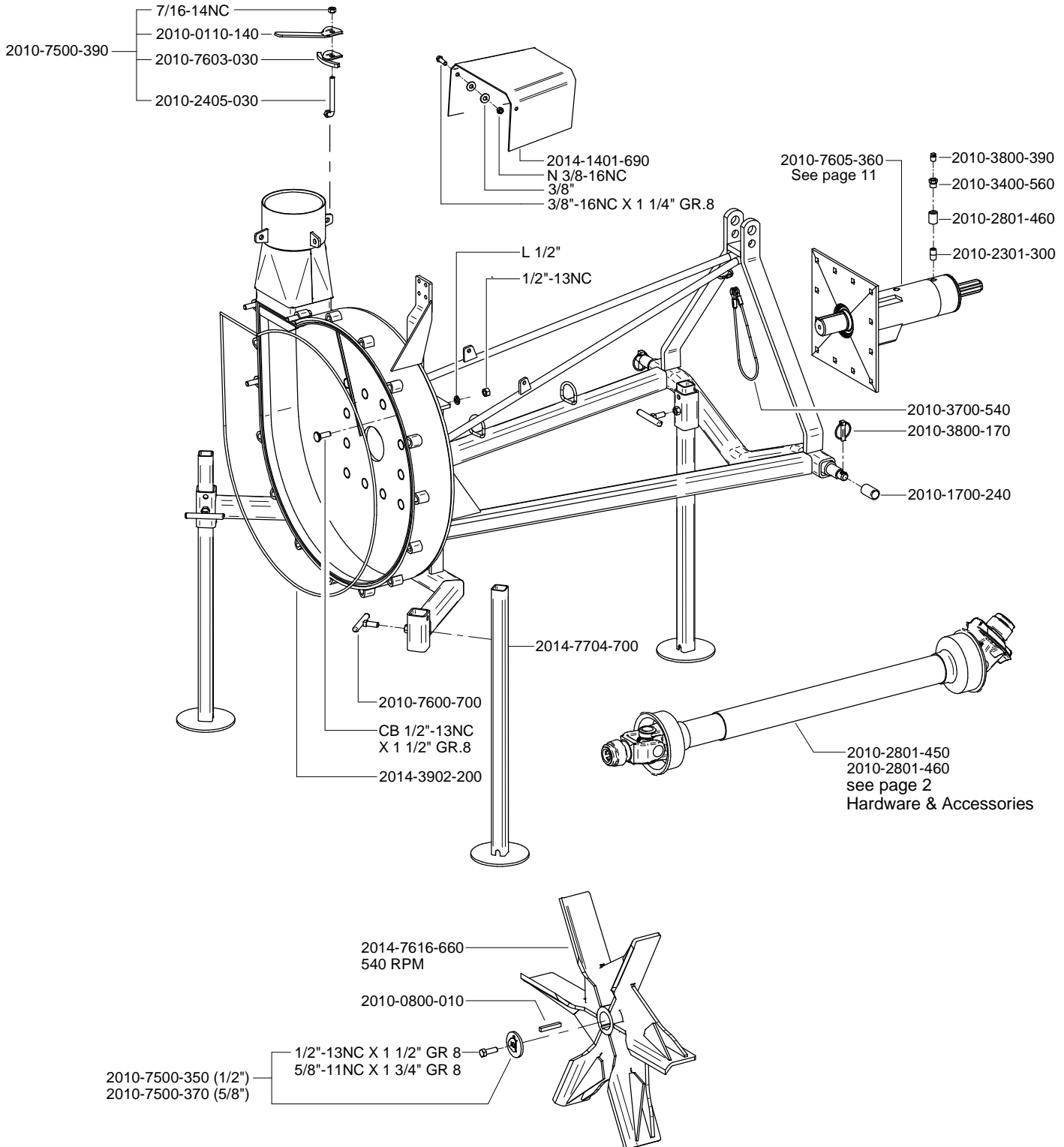
Agitation Kit for 8'-0" Reservoir..... 21

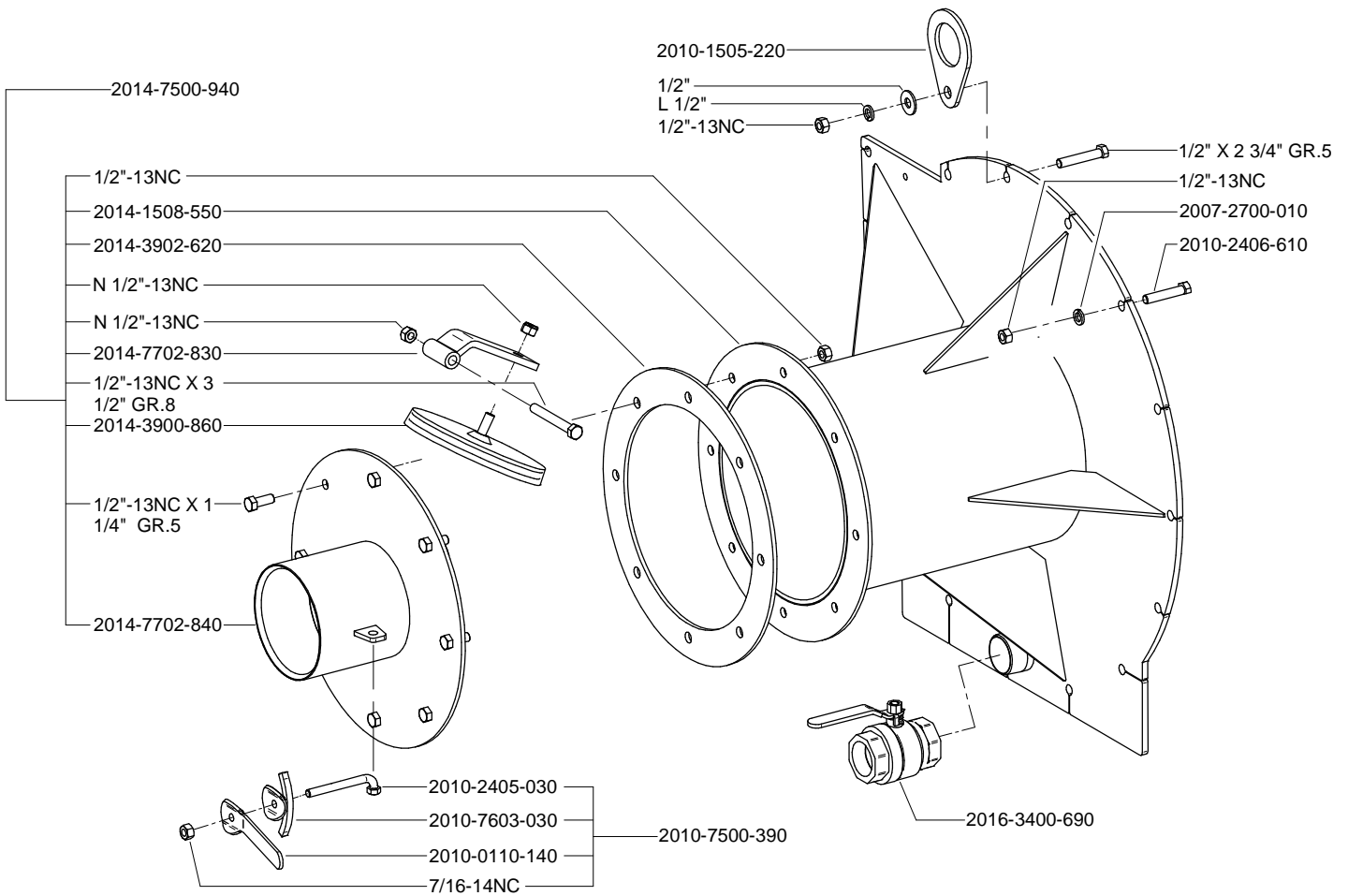
Hardware Identification	
Type	Designation
Hexagonal bolt	-
Carriage bolt	CB
Square head bolt	SB
Socket head cap screw	SCS
Socket head set screw	SSS
Flat head cap screw	FCS
Hexagon nut	-
Hexagon nylon lock nut	N
Hexagon oval lock nut	OVL
Hexagon tri-lock nut	TRI
Castle nut	CSL
Flange nut	FLN
Wing nut	WNG
Flat washer	-
Lock washer	L
SAE washer	SAE
Large ext. dia. washer	LD
Small ext. dia. washer	SD
Stainless steel bolts parts	SS

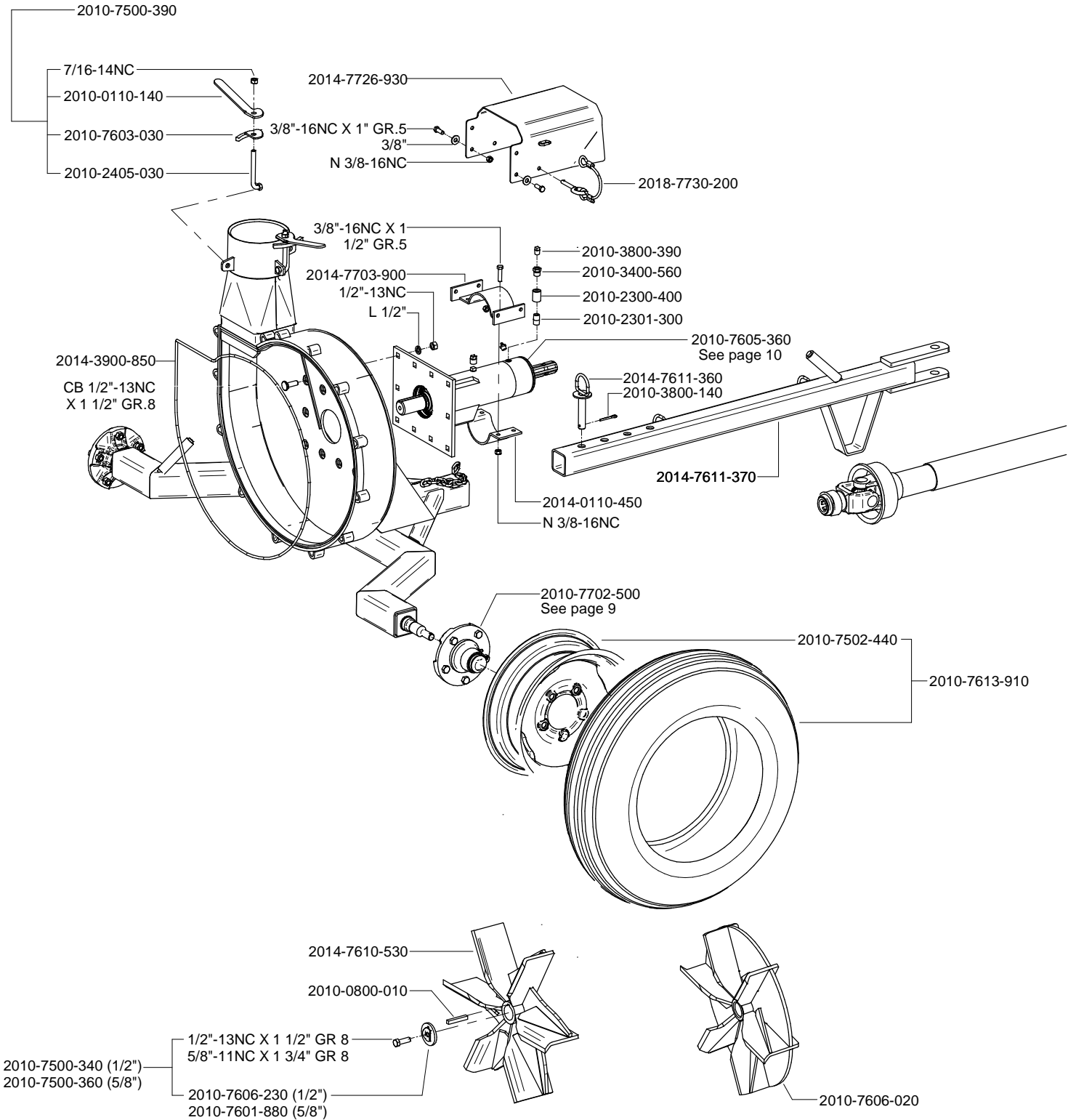


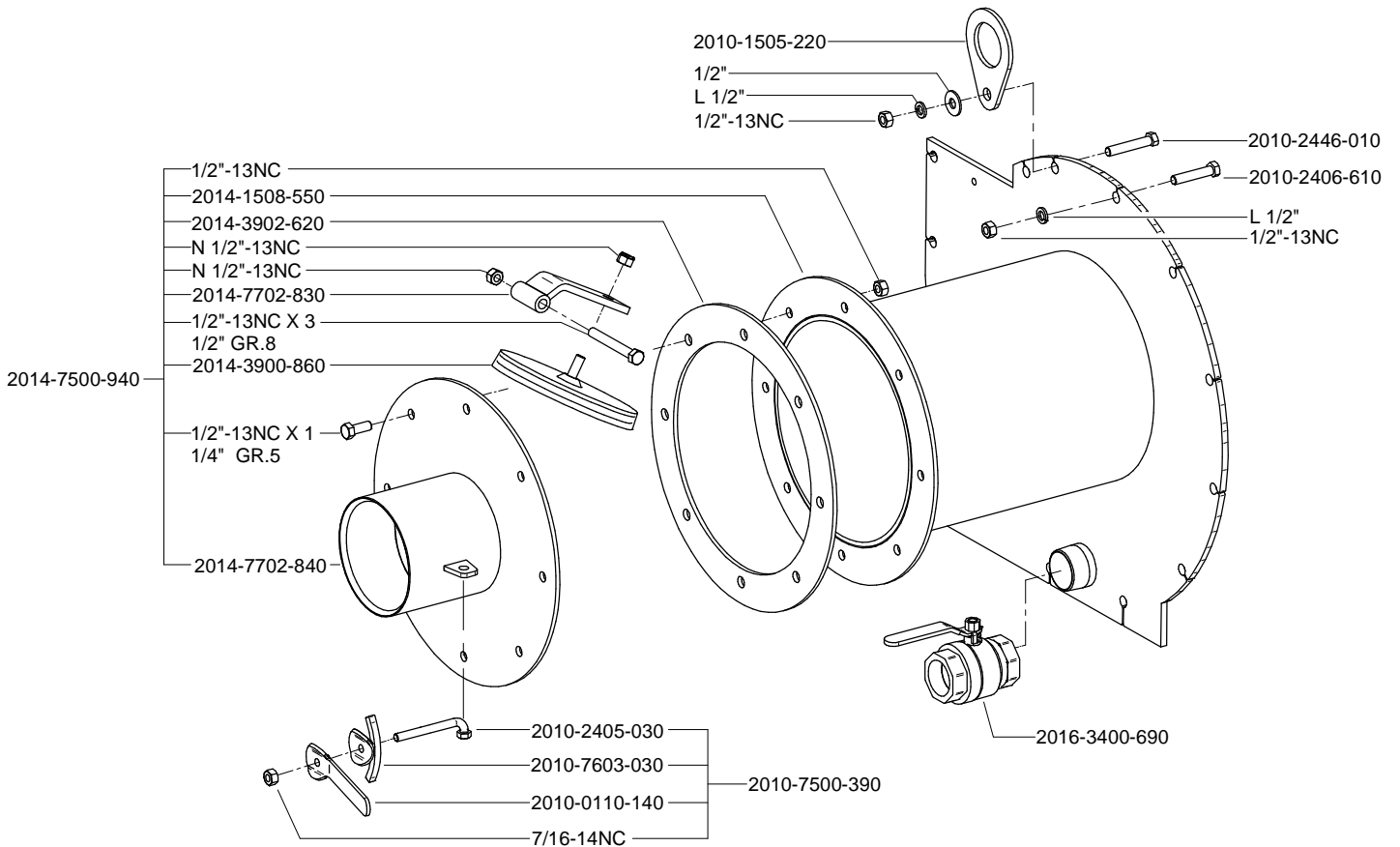
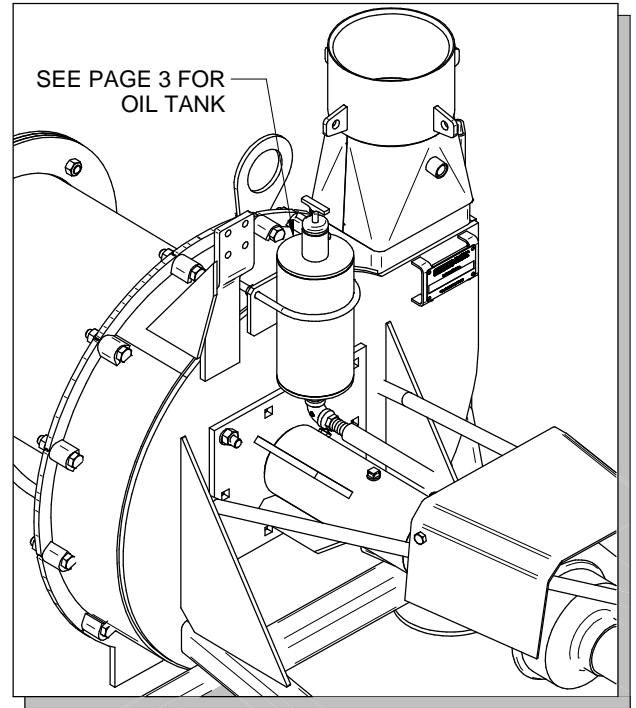
20" Maxi-Pump on 3-Point Hitch

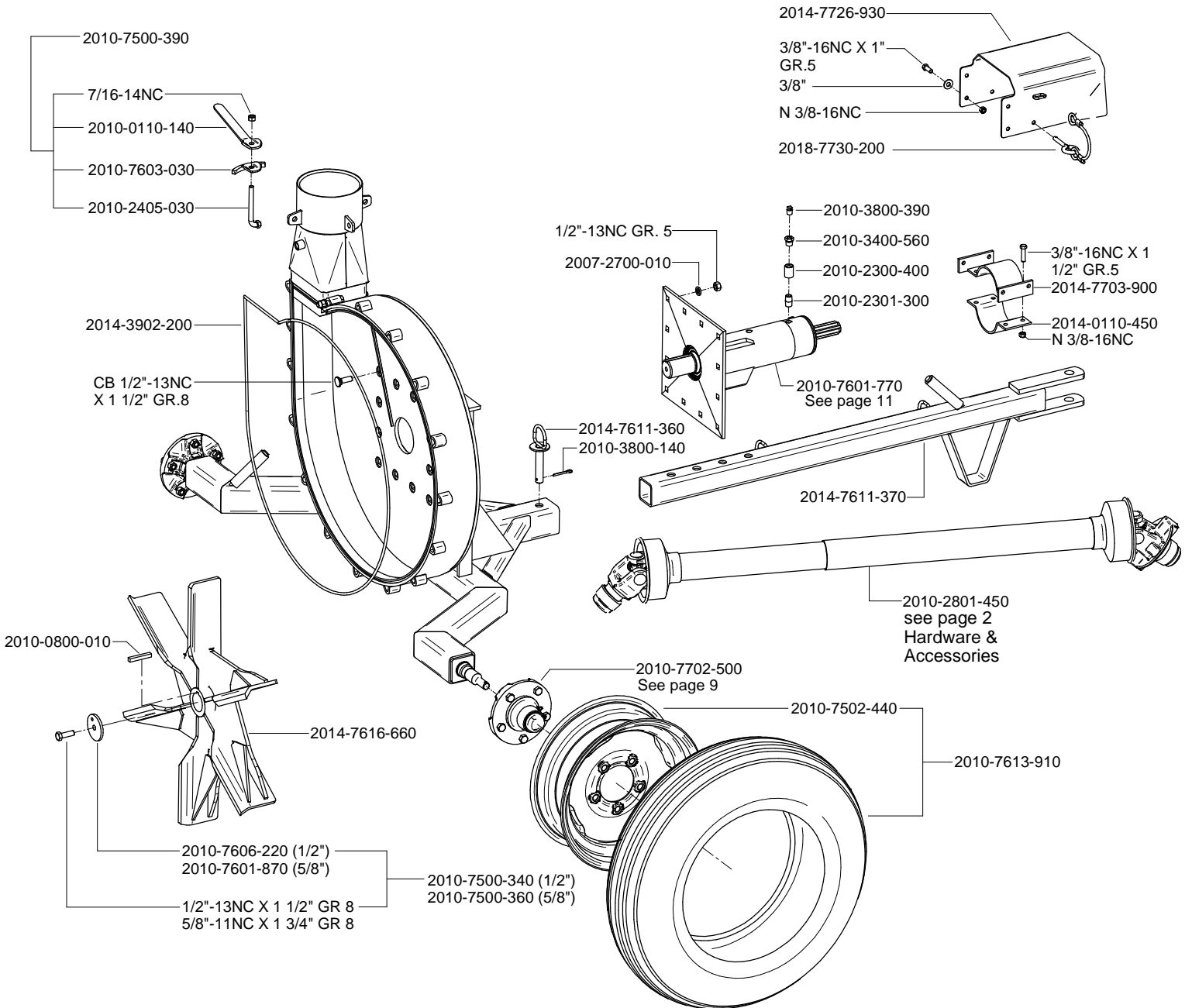


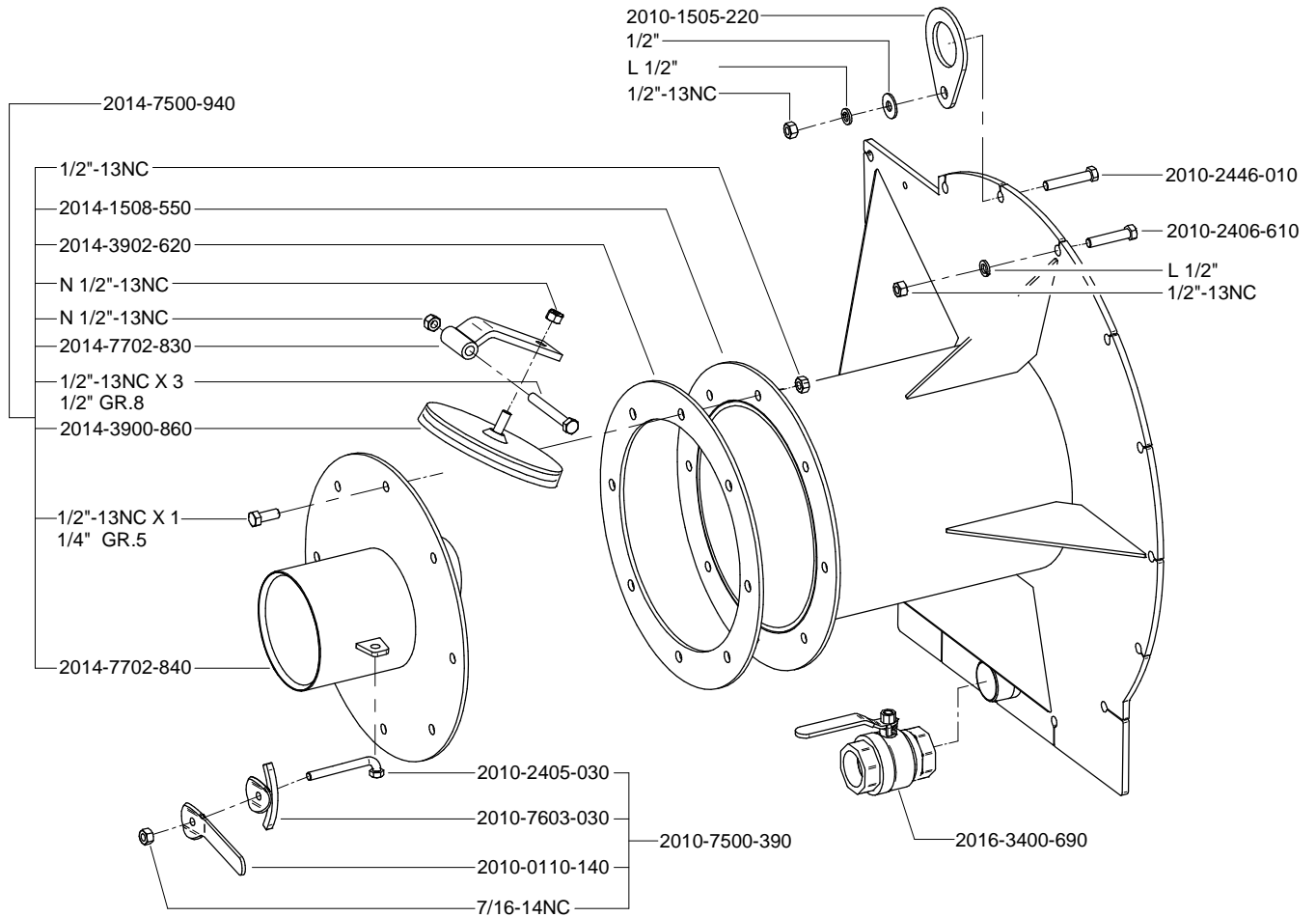






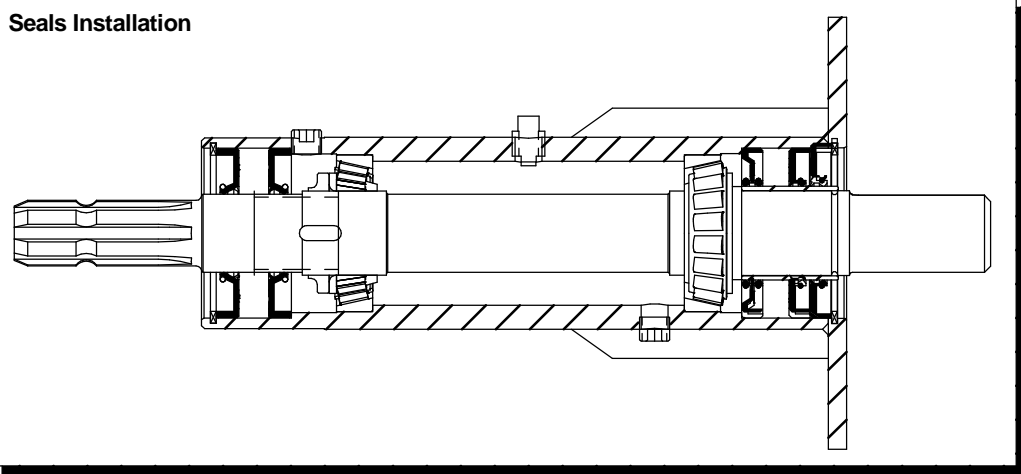
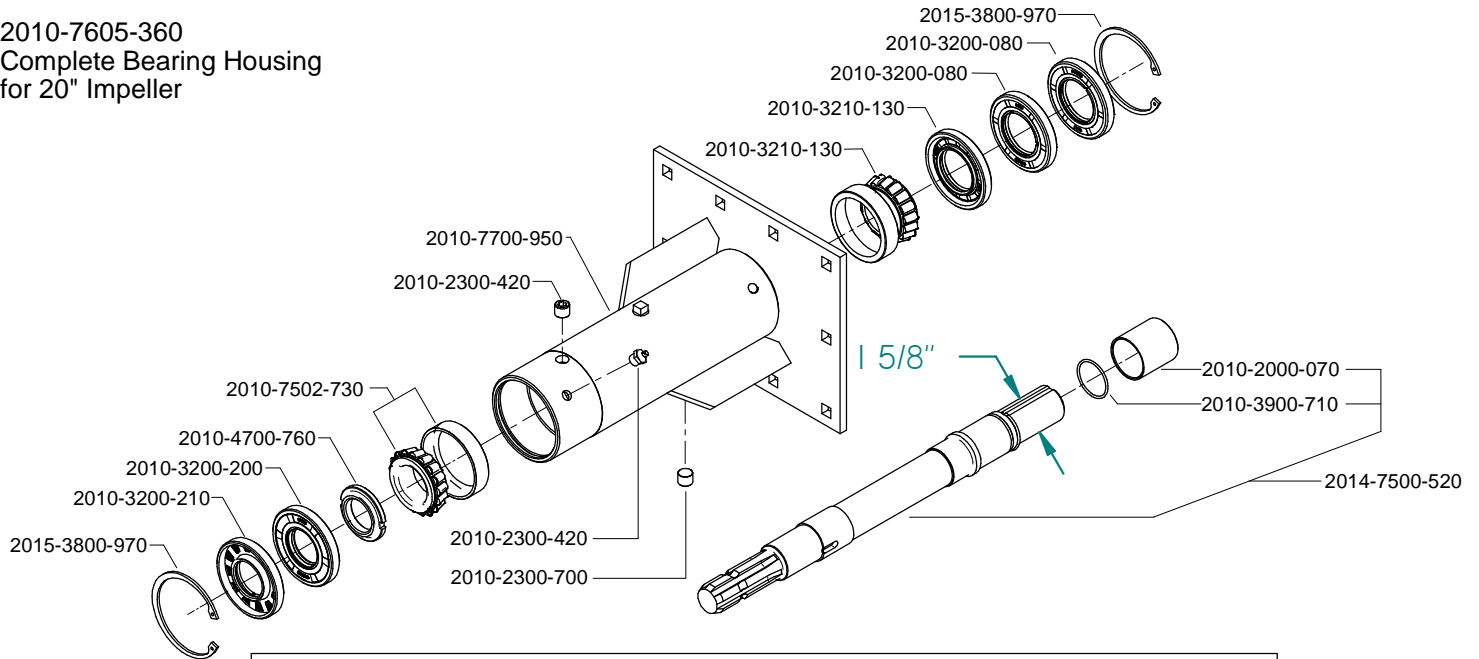




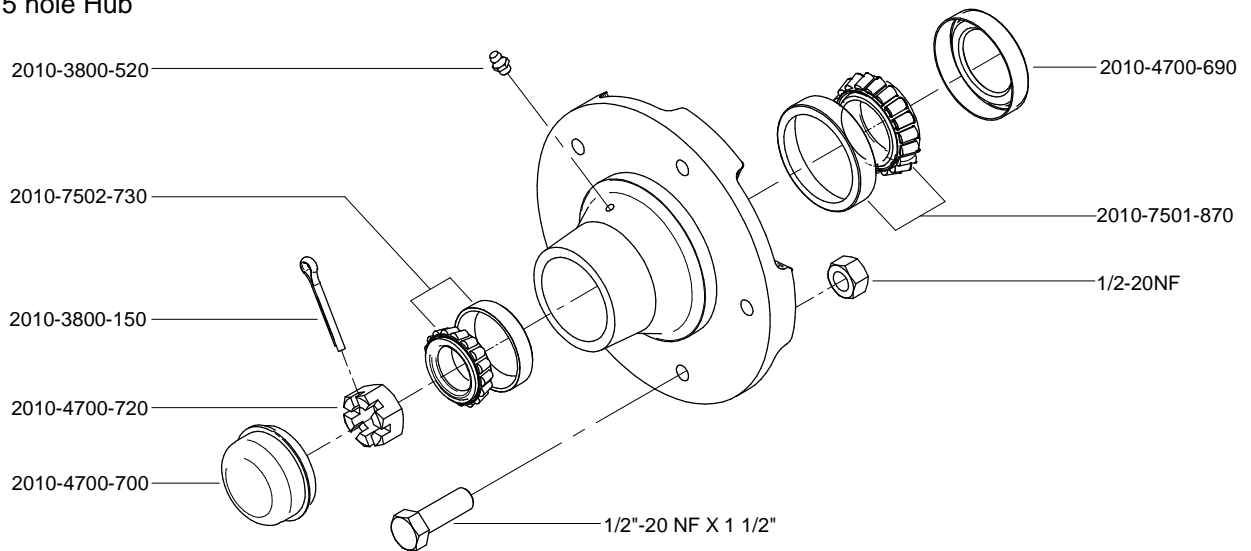


Bearing Housing and Wheel Hub

2010-7605-360
Complete Bearing Housing
for 20" Impeller

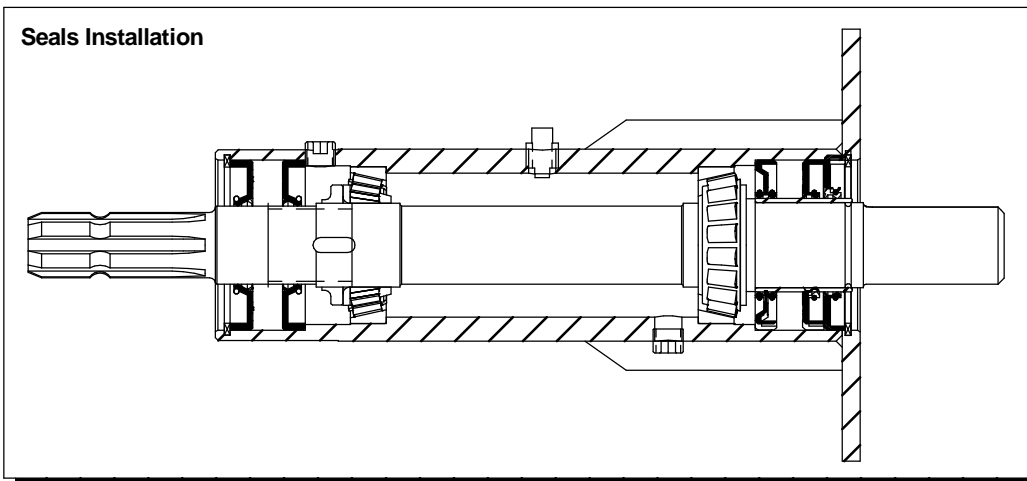
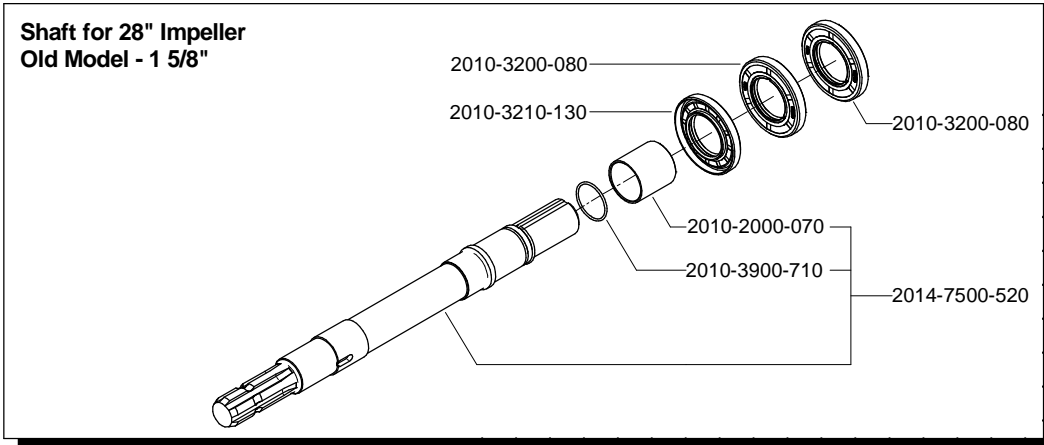
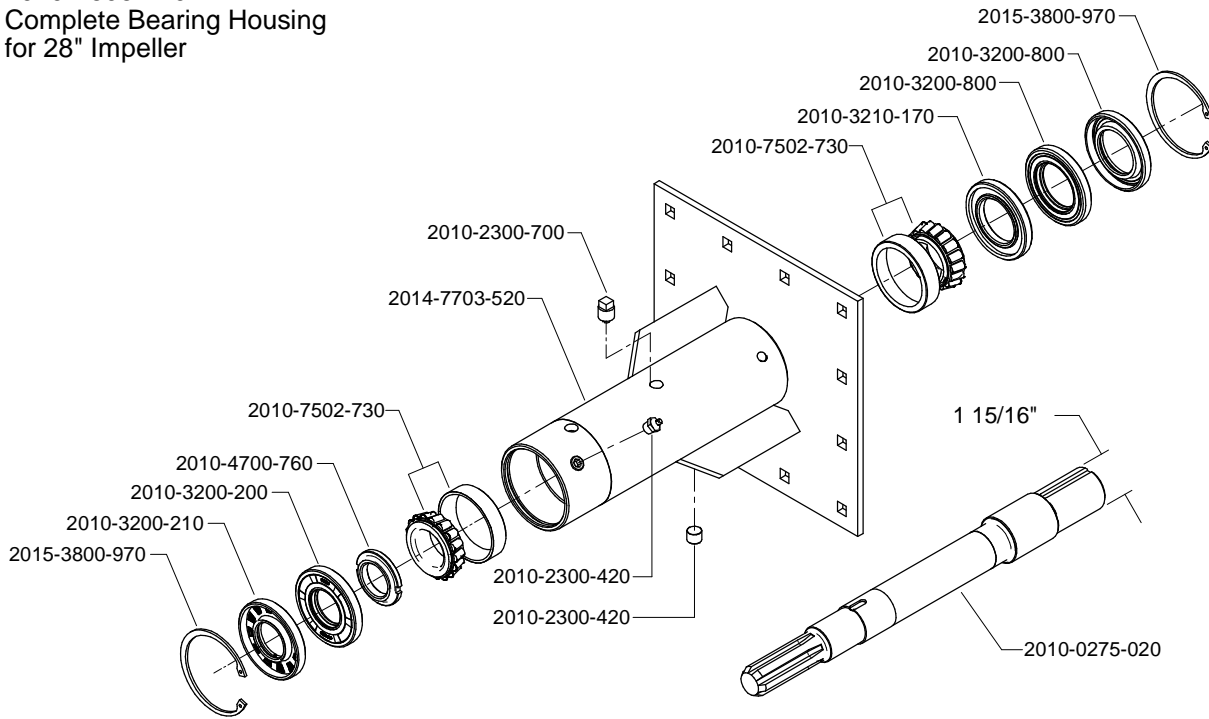


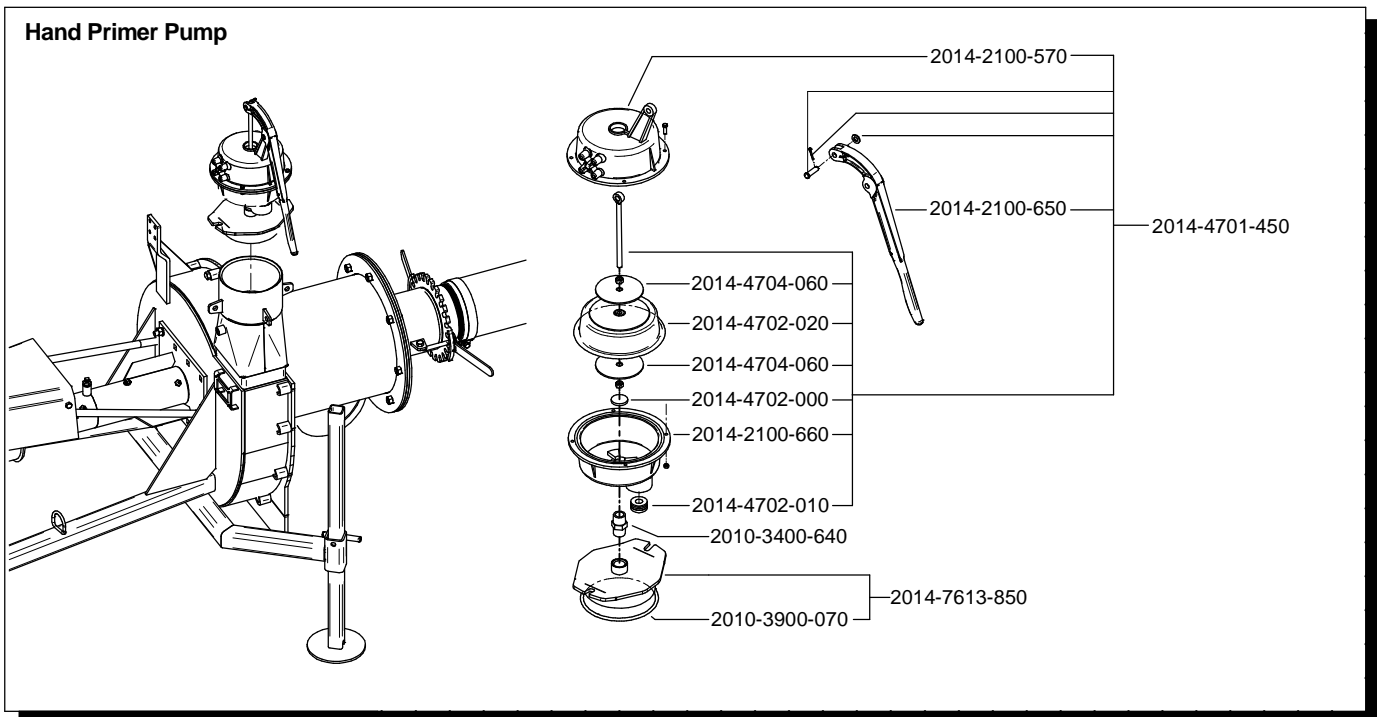
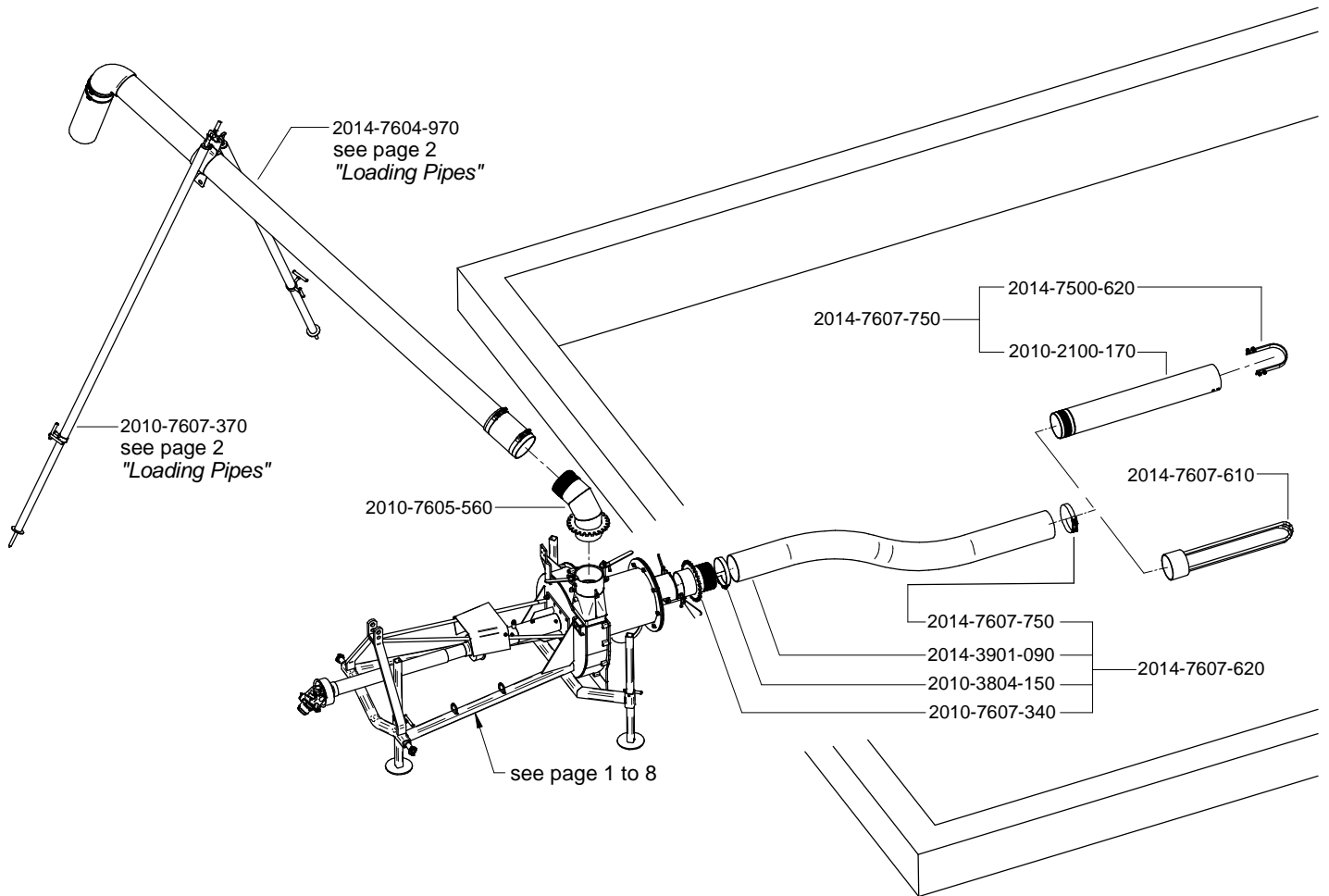
2010-7702-500
Complete 5 hole Hub



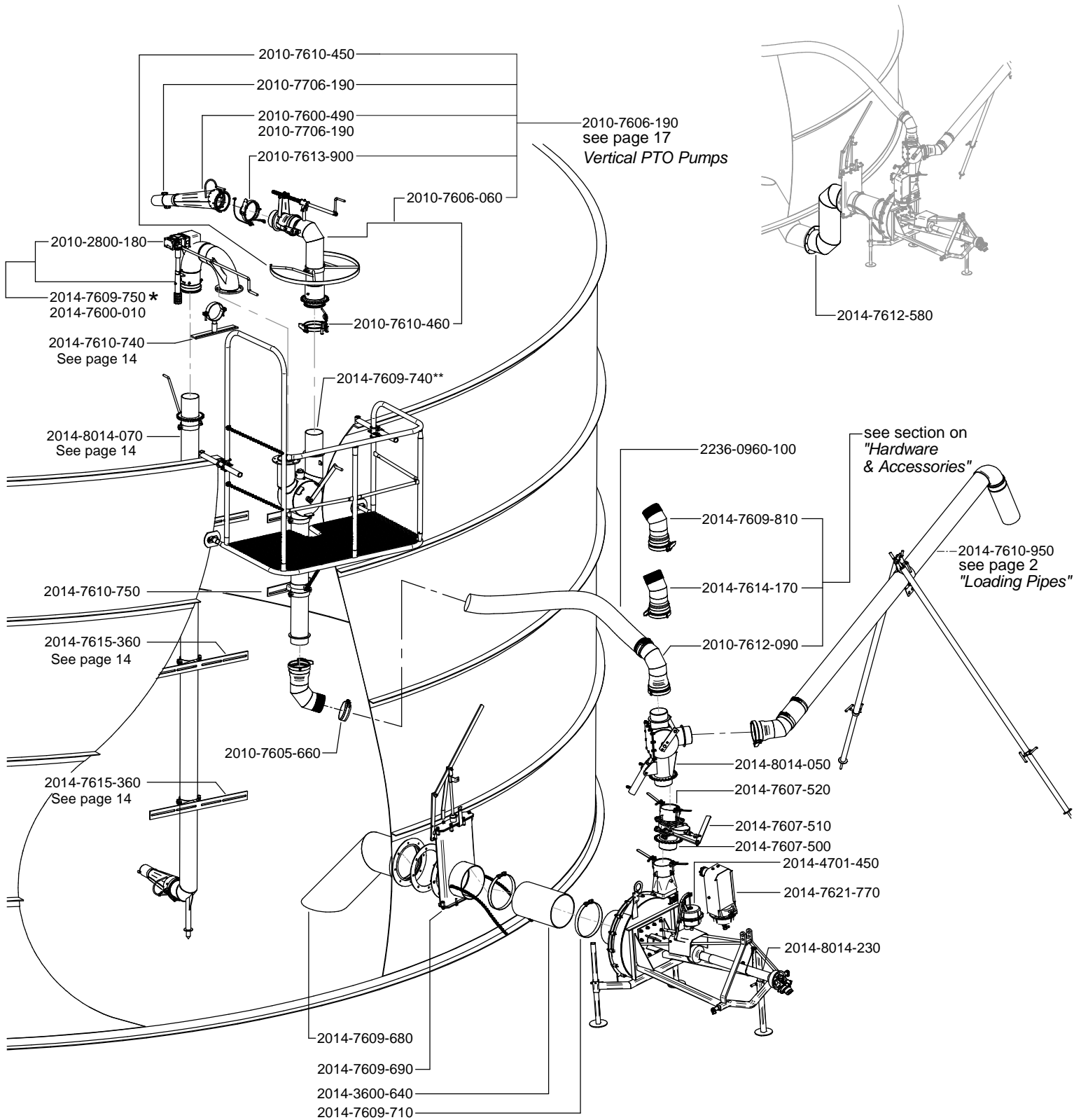
Bearing Housing and Wheel Hub

2010-7606-770
Complete Bearing Housing
for 28" Impeller





Sidemount Agitator Kit & Maxi-Pump

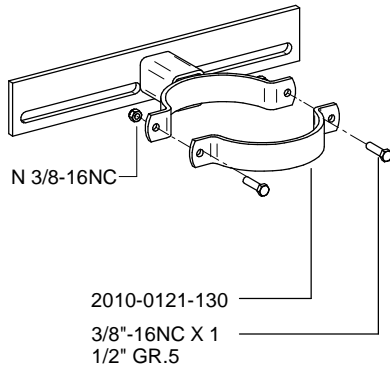


* see page 15

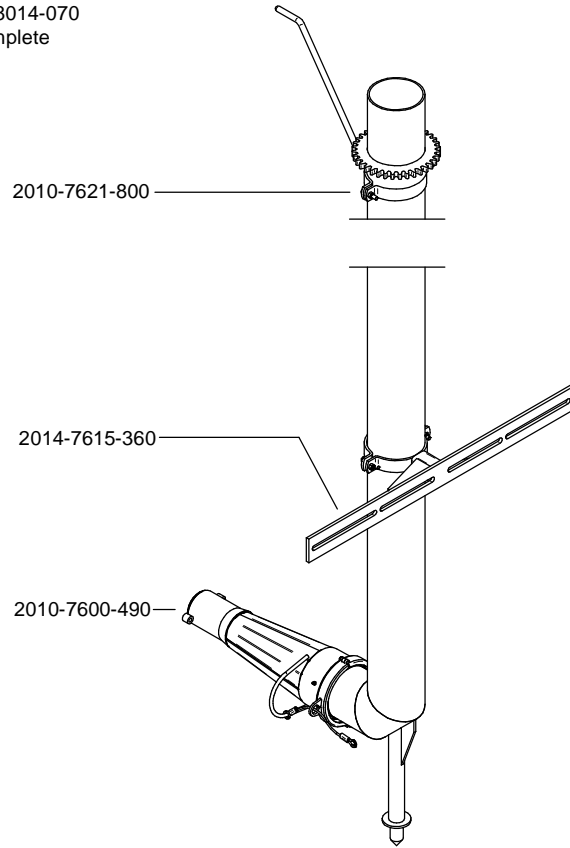
** Rotary valve 6 "x 48" long also available
36 "(2014-7625-910) and 66" (2014-7600-770) long

Sidemount Agitator Kit & Maxi-Pump

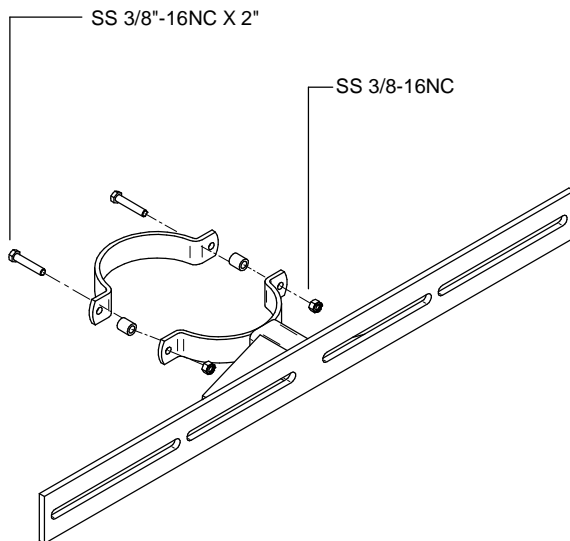
2014-7610-750
Complete



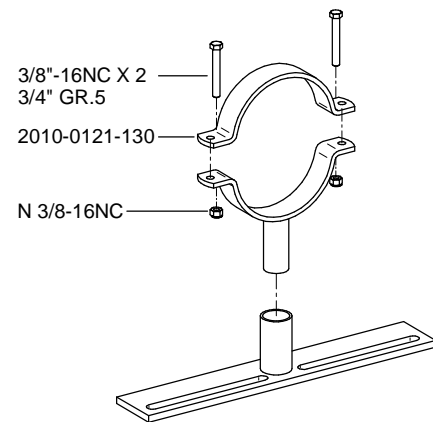
2014-8014-070
Complete



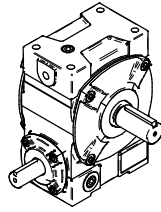
2014-7615-360
Complete



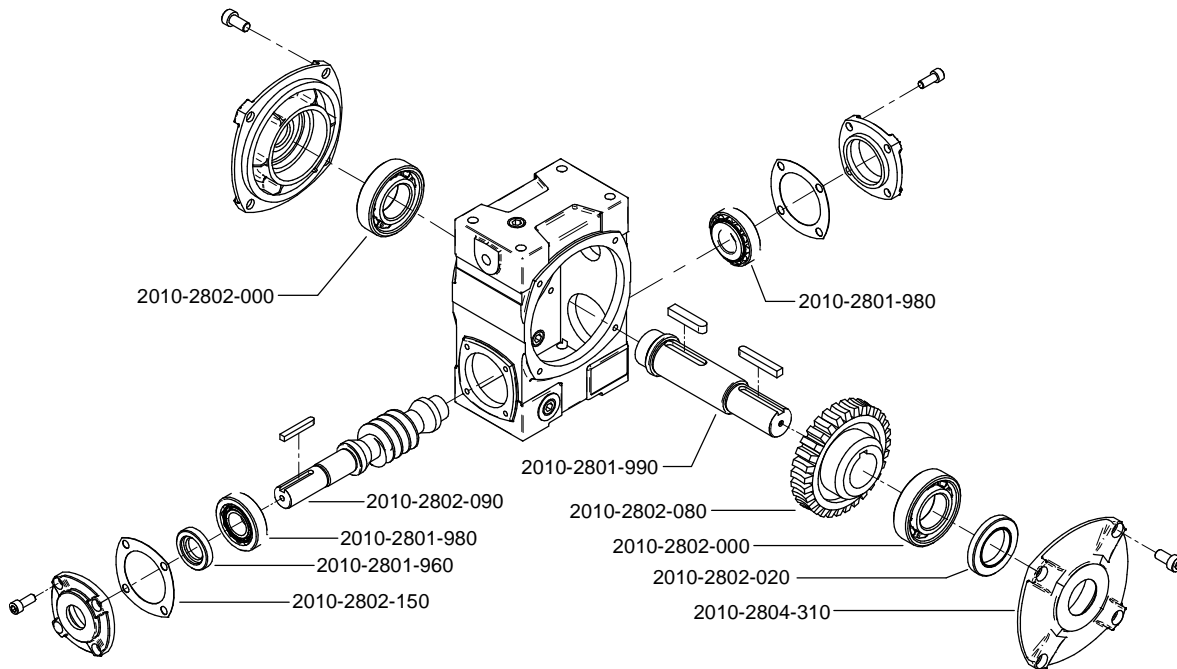
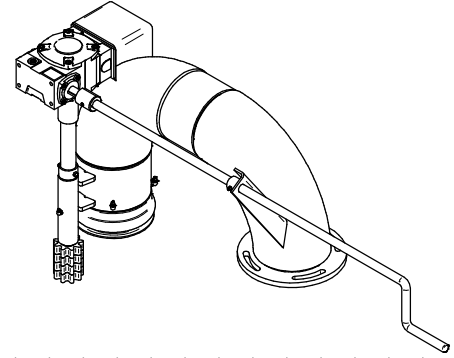
2014-7610-740
Complete

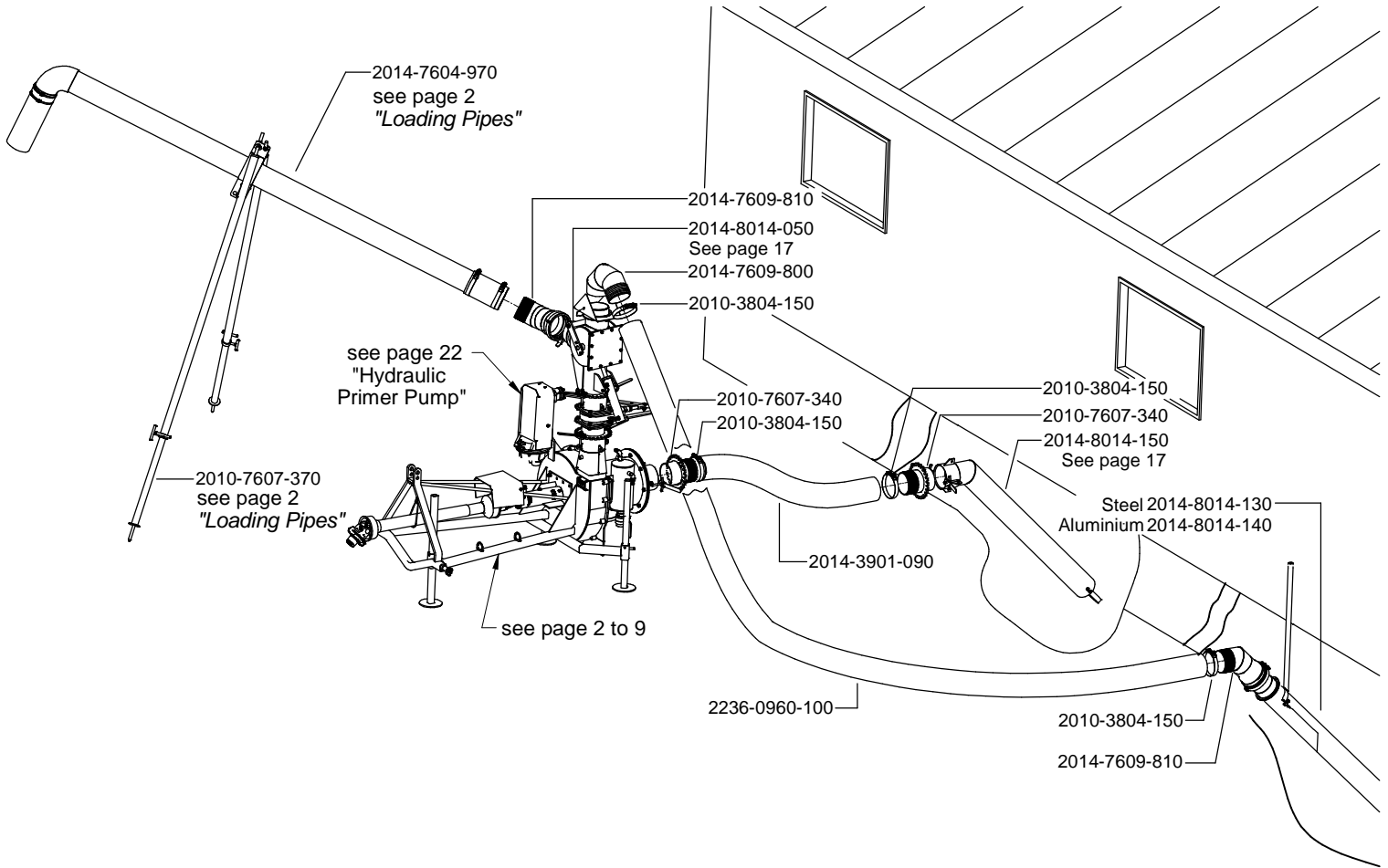


2010-2800-180
COMPLETE SPEED REDUCER
Model BH60 - Ratio 30:1

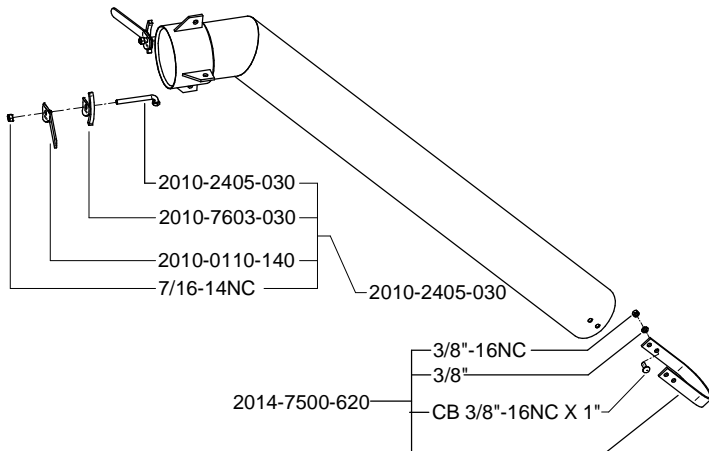


2014-7609-750
180° Elbow with Speed Reducer
2014-7600-010
180° Elbow with Speed Reducer
for concrete wall

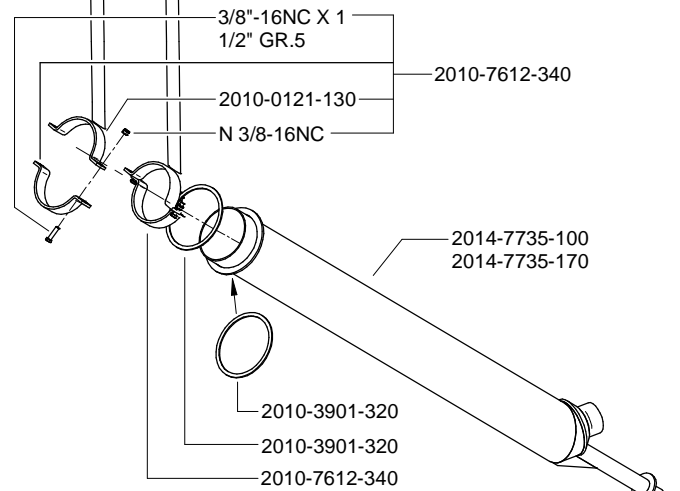




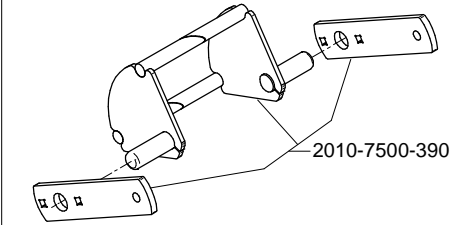
2014-8014-150
Complete



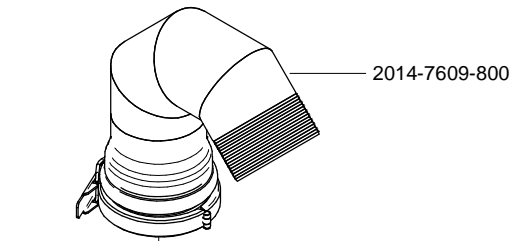
2014-8014-130 Steel
2014-8014-140 Aluminium
Complete



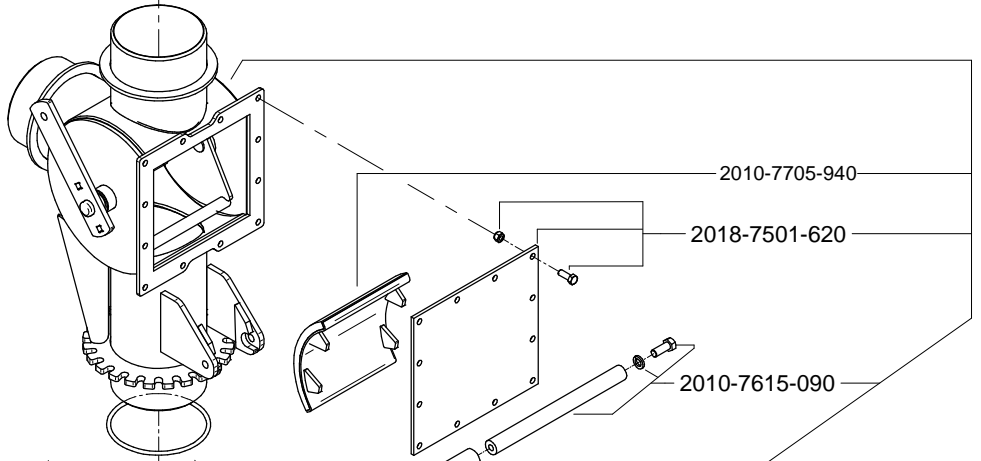
**Repair Kit for Valve
(welded)**



2010-7500-390



2014-7609-800



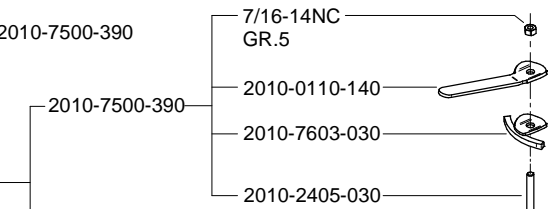
2010-7705-940

2018-7501-620

2010-7615-090

2010-7706-150

2014-7615-380



2010-7500-390

7/16-14NC
GR.5

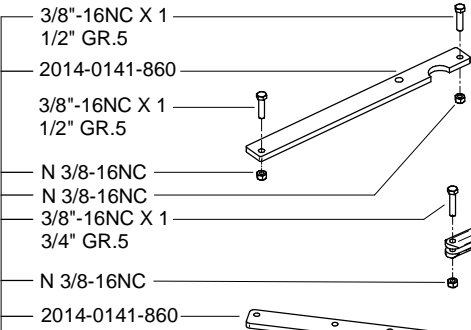
2010-0110-140

2010-7603-030

2010-2405-030

L 1/2"
1/2"-13NC X 1
1/4" GR.5

2010-3900-070



3/8"-16NC X 1
1/2" GR.5

2014-0141-860

3/8"-16NC X 1
1/2" GR.5

N 3/8-16NC

N 3/8-16NC

3/8"-16NC X 1
3/4" GR.5

N 3/8-16NC

2014-0141-860

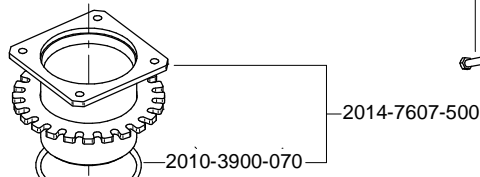
2011-3900-990

1/2"-13NC

1/2"-13NC X 1
1/4" GR.5

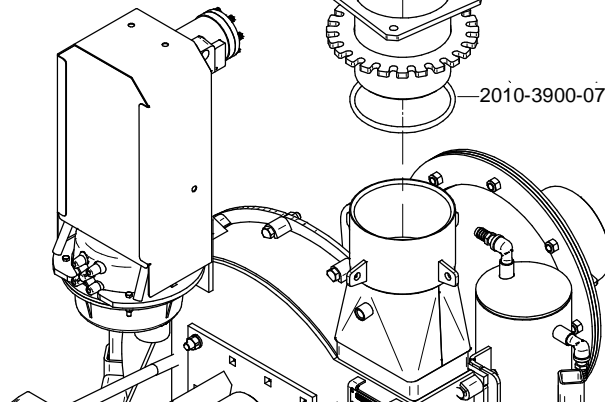
2011-3900-990

2014-7607-510



2014-7607-500

2010-3900-070



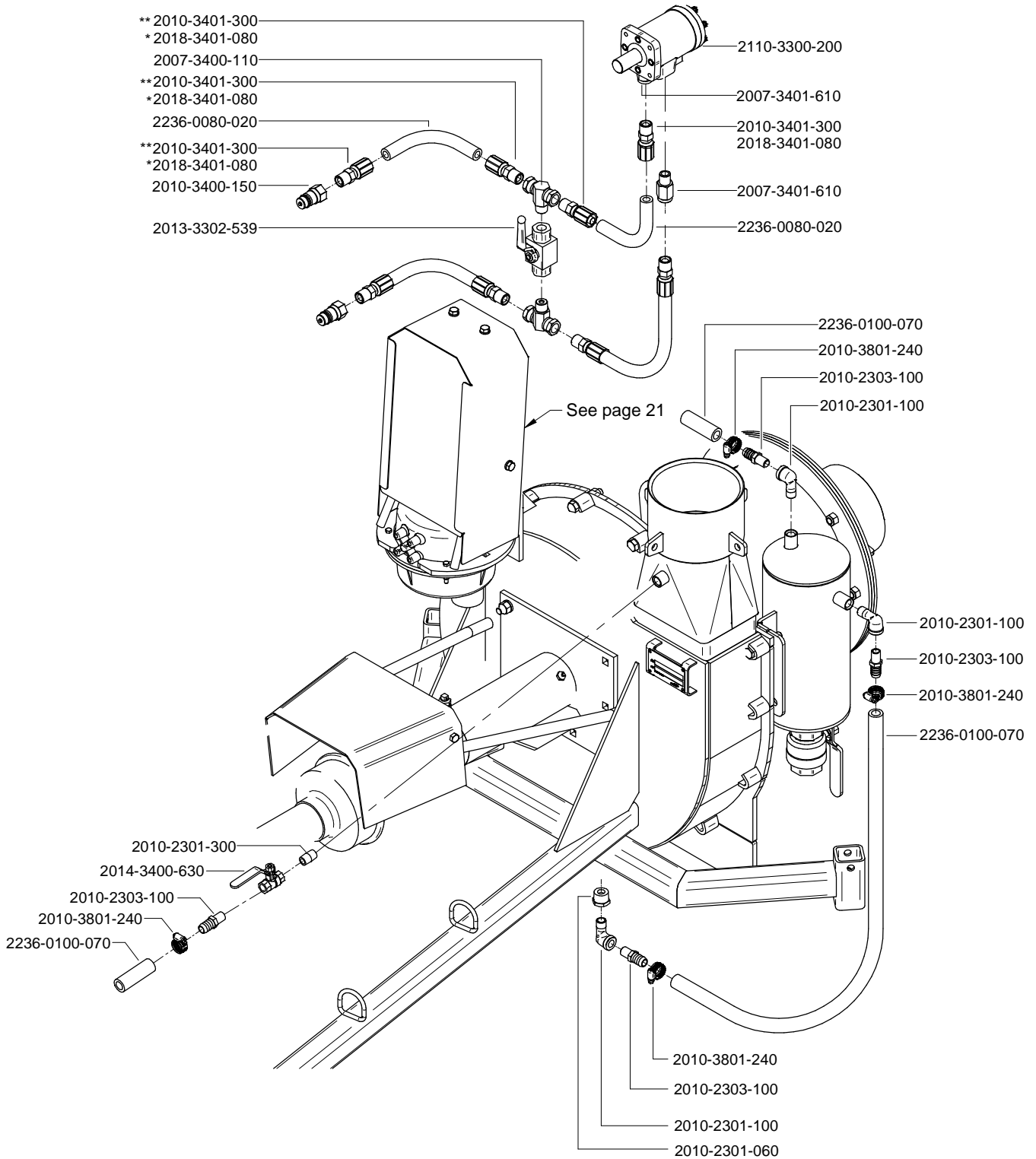
3/8"-16NC X 1
3/4" GR.5

N 3/8-16NC

2010-2406-760

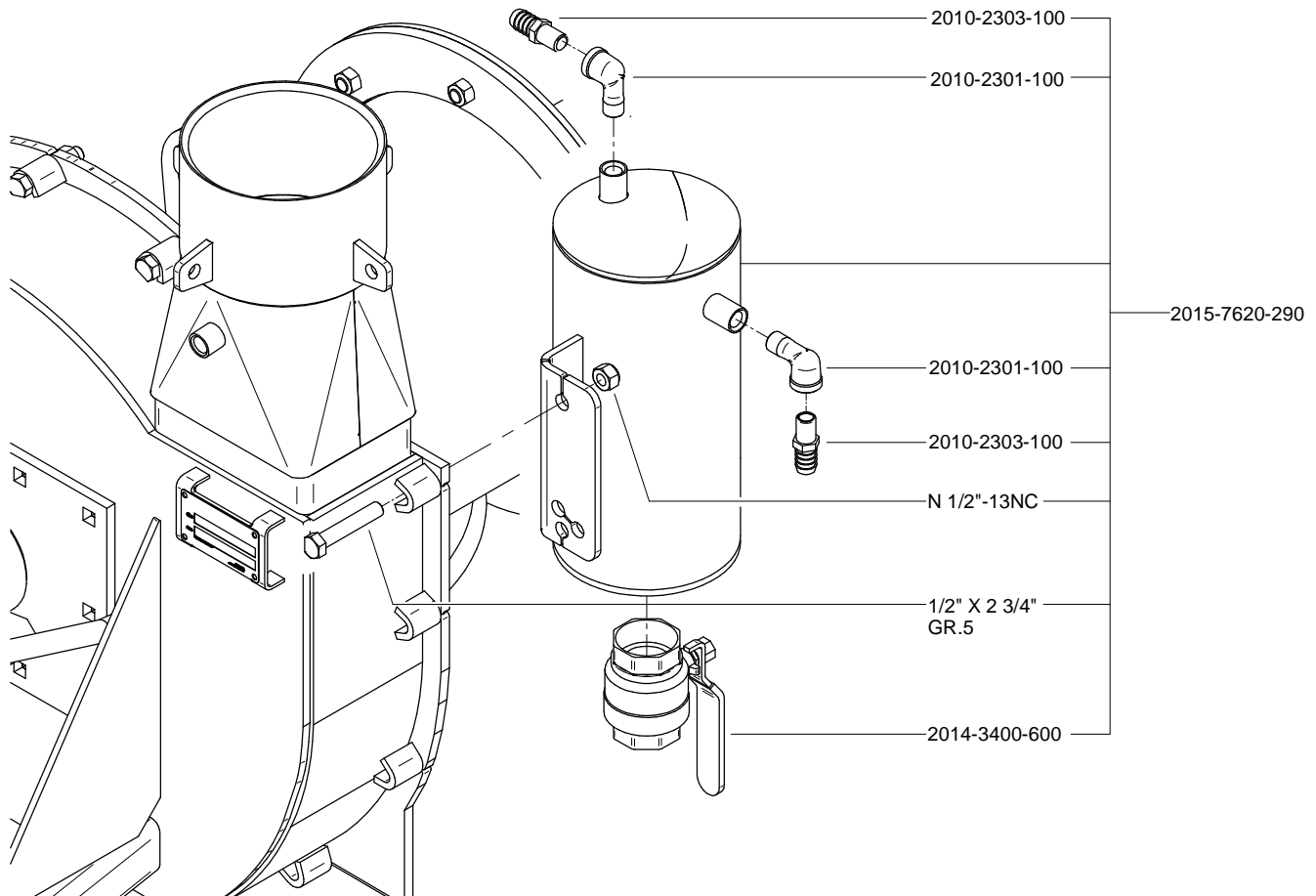
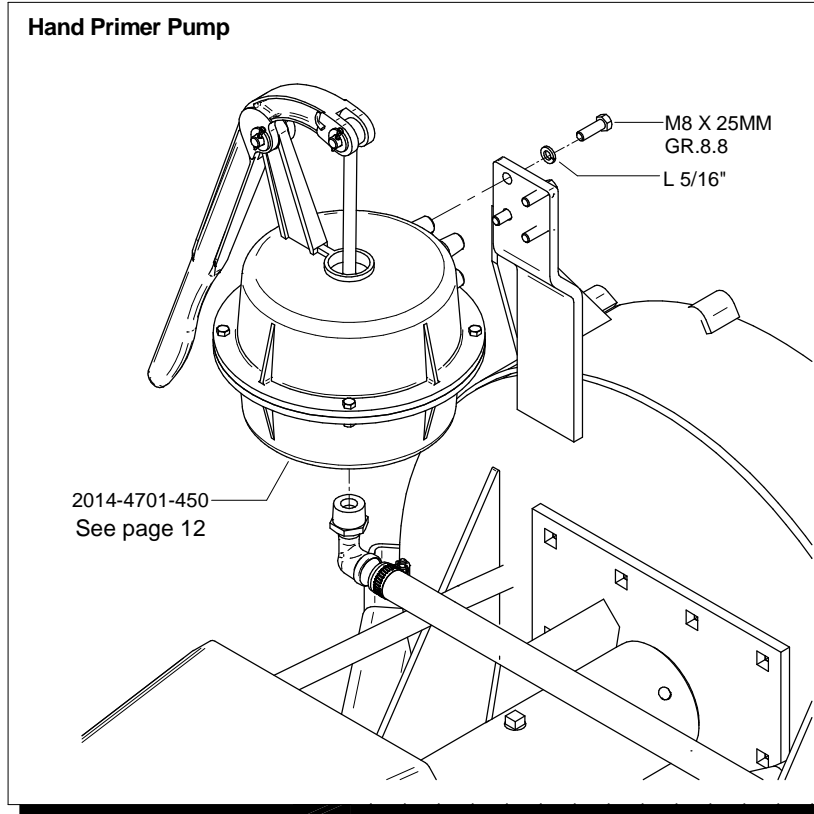
2010-3301-660
see page 27
Hardware &
Accessories

Primer Pump and Liquid Manure Collector Tank



*SCREW-ON COUPLING
 **CRIMPED COUPLING (FACTORY MOUNTED)

Primer Pump and Liquid Manure Collector Tank



Primer Pump and Liquid Manure Collector Tank

