



Table of contents..... 01-02

3" Regular Pump - Upper Section..... 03

3" Regular Pump - Lower Section..... 04

3" High Pressure Pump - Upper Section..... 05

3" High Pressure Pump - Lower Section..... 06

3" Compact Pump - Upper Section..... 07

3" Compact pump - Lower Section..... 08

3" Pump - Rotating Agitation Nozzle..... 09

3" Pump - Rotating Agitation Nozzle with Vertical Adjustment..... 10

4" Pump for Hog Manure - Upper Section..... 11

4" Pump for Hog Manure - Lower Section..... 12

4" Pump for Hog Manure - Agitation Nozzle..... 13

4" Pump for Liquid Dairy Manure - Upper Section - Single Motor..... 14

4" Pump for Liquid Dairy Manure - Upper Section - Twin Motor..... 15

4" Pump for Liquid Dairy Manure - Lower Section..... 16

4" Pump for Liquid Dairy Manure - Agitation Nozzle..... 17-18

4" High Pressure Pump - Upper Section - Single Motor..... 19

4" High Pressure Pump - Upper Section - Twin Motor..... 20

4" High Pressure Pump - Lower Section..... 21

4" High Pressure Pump - Agitation Nozzle..... 22

4" Agi-Pompe - Upper Section - Single Motor..... 23

4" Agi-Pompe - Upper Section - Twin Motor..... 24

4" Agi-Pompe - Gear Box and Propeller..... 25

4" Agi-Pompe - Impeller and Housing..... 26

Gear Box #300..... 27

4" Agi-Pompe - Agitation Nozzle..... 28

8" Flush Pump - Upper Section - Single Motor..... 29

8" Flush Pump - Upper Section - Twin Motor..... 30

8" Flush Pump - Lower Section..... 31-32

Bearing Housing..... 33

Quick Fastening system..... 34

Sliding and Tilting Pump Support..... 35-36

Speed Reducer..... 37

Diaphragm Switch..... 38

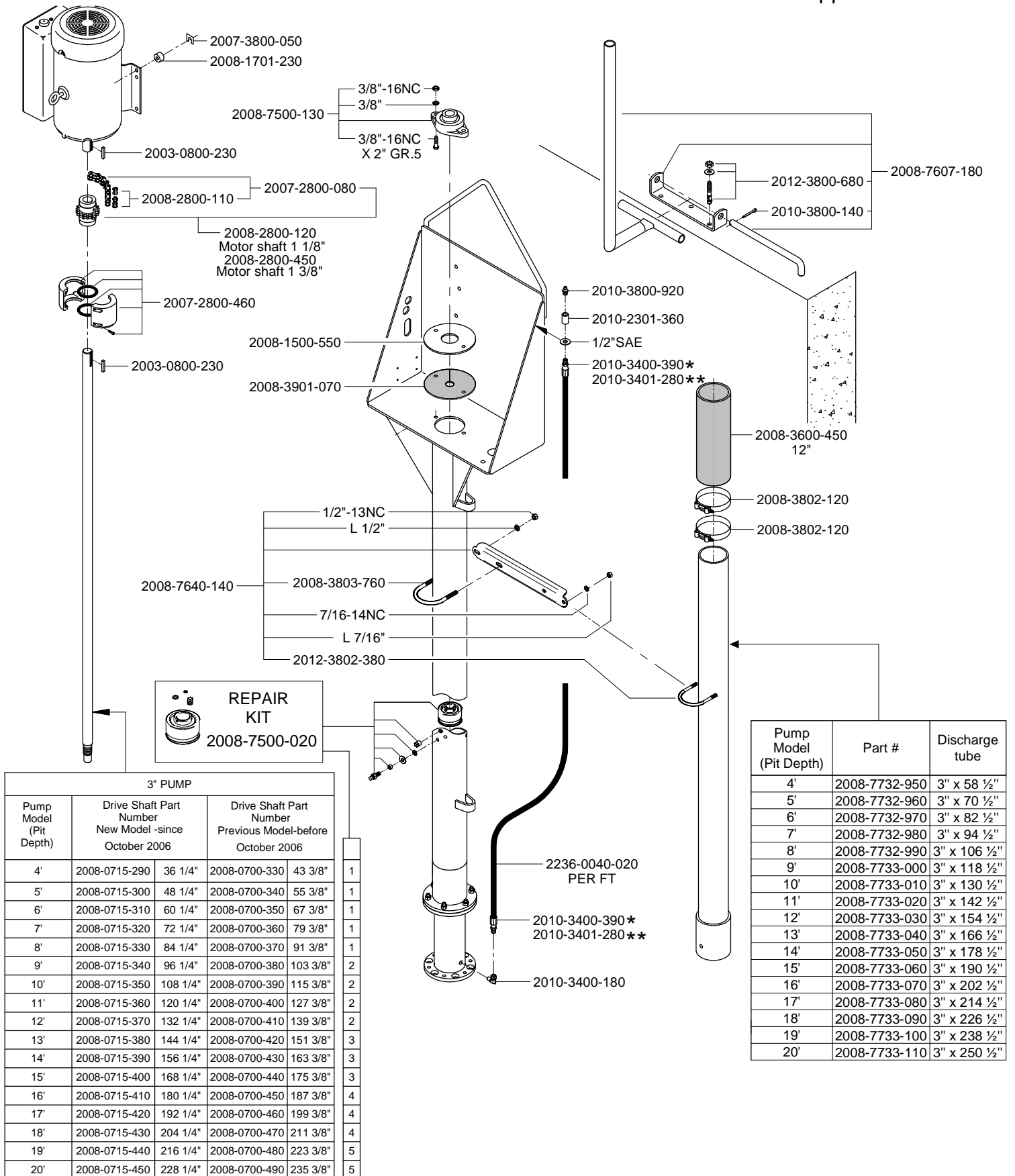
Upper Section before January 2017..... A

3" Regular Pump - Oilite Bushing Before April 2018..... B

3" Compact Pump - Oilite Bushing Before April 2018..... C

<b>Hardware Identification</b>	
Type	Designation
Hexagonal bolt	-
Carriage bolt	CB
Square head bolt	SB
Socket head cap screw	SCS
Socket head set screw	SSS
Flat head cap screw	FCS
Hexagon nut	-
Hexagon nylon lock nut	N
Hexagon oval lock nut	OVL
Hexagon tri-lock nut	TRI
Castle nut	CSL
Flange nut	FLN
Wing nut	WNG
Half Hexagon nylon lock nut	HN
Flat washer	-
Lock washer	L
SAE washer	SAE
Large ext. dia. washer	LD
Small ext. dia. washer	SD
Stainless steel bolts parts	SS

## 3" REGULAR PUMP - Upper section



**REPAIR KIT**  
2008-7500-020

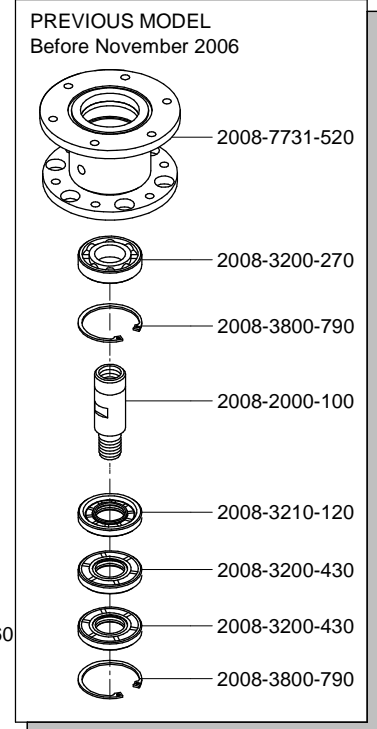
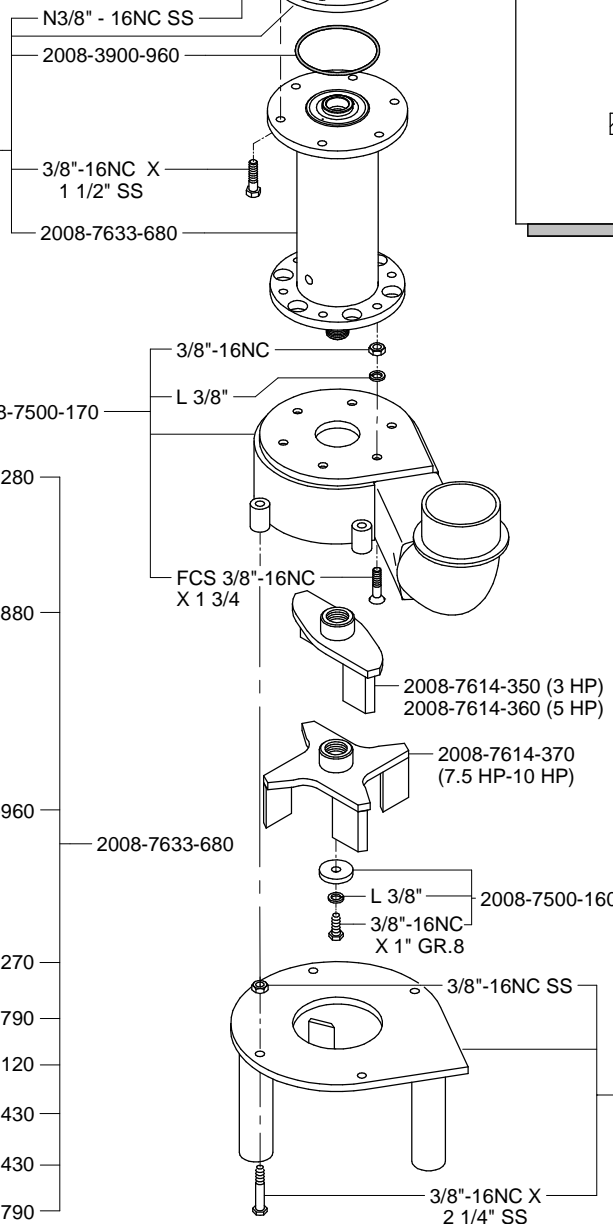
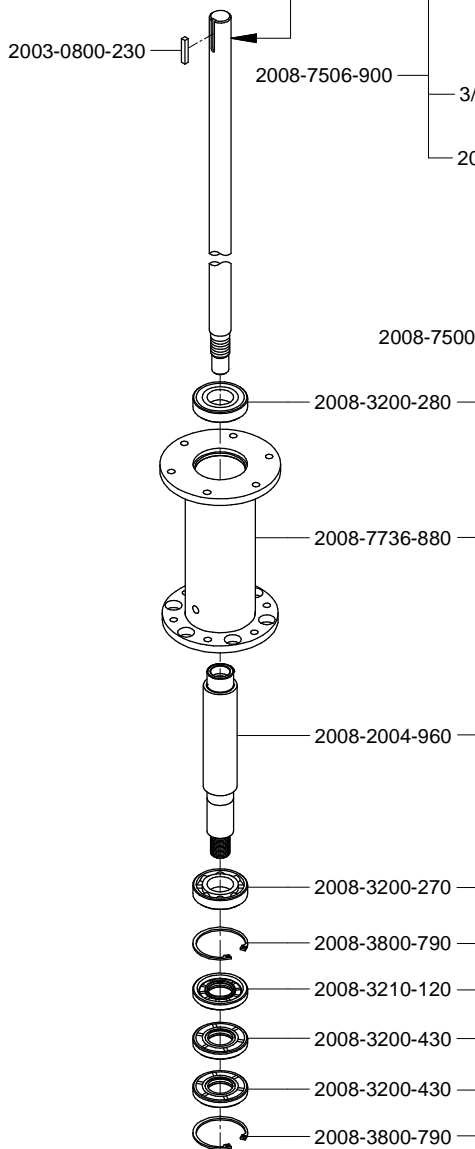
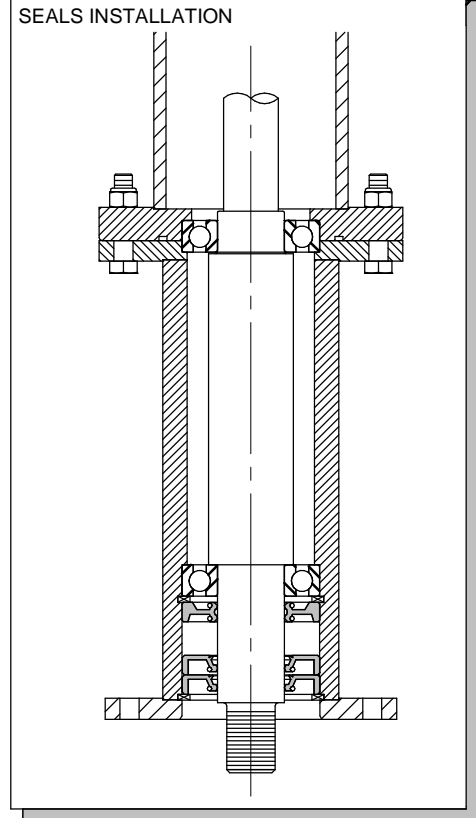
3" PUMP				
Pump Model (Pit Depth)	Drive Shaft Part Number New Model -since October 2006	Drive Shaft Part Number Previous Model-before October 2006		
4'	2008-0715-290	36 1/4"	2008-0700-330	43 3/8"
5'	2008-0715-300	48 1/4"	2008-0700-340	55 3/8"
6'	2008-0715-310	60 1/4"	2008-0700-350	67 3/8"
7'	2008-0715-320	72 1/4"	2008-0700-360	79 3/8"
8'	2008-0715-330	84 1/4"	2008-0700-370	91 3/8"
9'	2008-0715-340	96 1/4"	2008-0700-380	103 3/8"
10'	2008-0715-350	108 1/4"	2008-0700-390	115 3/8"
11'	2008-0715-360	120 1/4"	2008-0700-400	127 3/8"
12'	2008-0715-370	132 1/4"	2008-0700-410	139 3/8"
13'	2008-0715-380	144 1/4"	2008-0700-420	151 3/8"
14'	2008-0715-390	156 1/4"	2008-0700-430	163 3/8"
15'	2008-0715-400	168 1/4"	2008-0700-440	175 3/8"
16'	2008-0715-410	180 1/4"	2008-0700-450	187 3/8"
17'	2008-0715-420	192 1/4"	2008-0700-460	199 3/8"
18'	2008-0715-430	204 1/4"	2008-0700-470	211 3/8"
19'	2008-0715-440	216 1/4"	2008-0700-480	223 3/8"
20'	2008-0715-450	228 1/4"	2008-0700-490	235 3/8"

Pump Model (Pit Depth)	Part #	Discharge tube
4'	2008-7732-950	3" x 58 1/2"
5'	2008-7732-960	3" x 70 1/2"
6'	2008-7732-970	3" x 82 1/2"
7'	2008-7732-980	3" x 94 1/2"
8'	2008-7732-990	3" x 106 1/2"
9'	2008-7733-000	3" x 118 1/2"
10'	2008-7733-010	3" x 130 1/2"
11'	2008-7733-020	3" x 142 1/2"
12'	2008-7733-030	3" x 154 1/2"
13'	2008-7733-040	3" x 166 1/2"
14'	2008-7733-050	3" x 178 1/2"
15'	2008-7733-060	3" x 190 1/2"
16'	2008-7733-070	3" x 202 1/2"
17'	2008-7733-080	3" x 214 1/2"
18'	2008-7733-090	3" x 226 1/2"
19'	2008-7733-100	3" x 238 1/2"
20'	2008-7733-110	3" x 250 1/2"

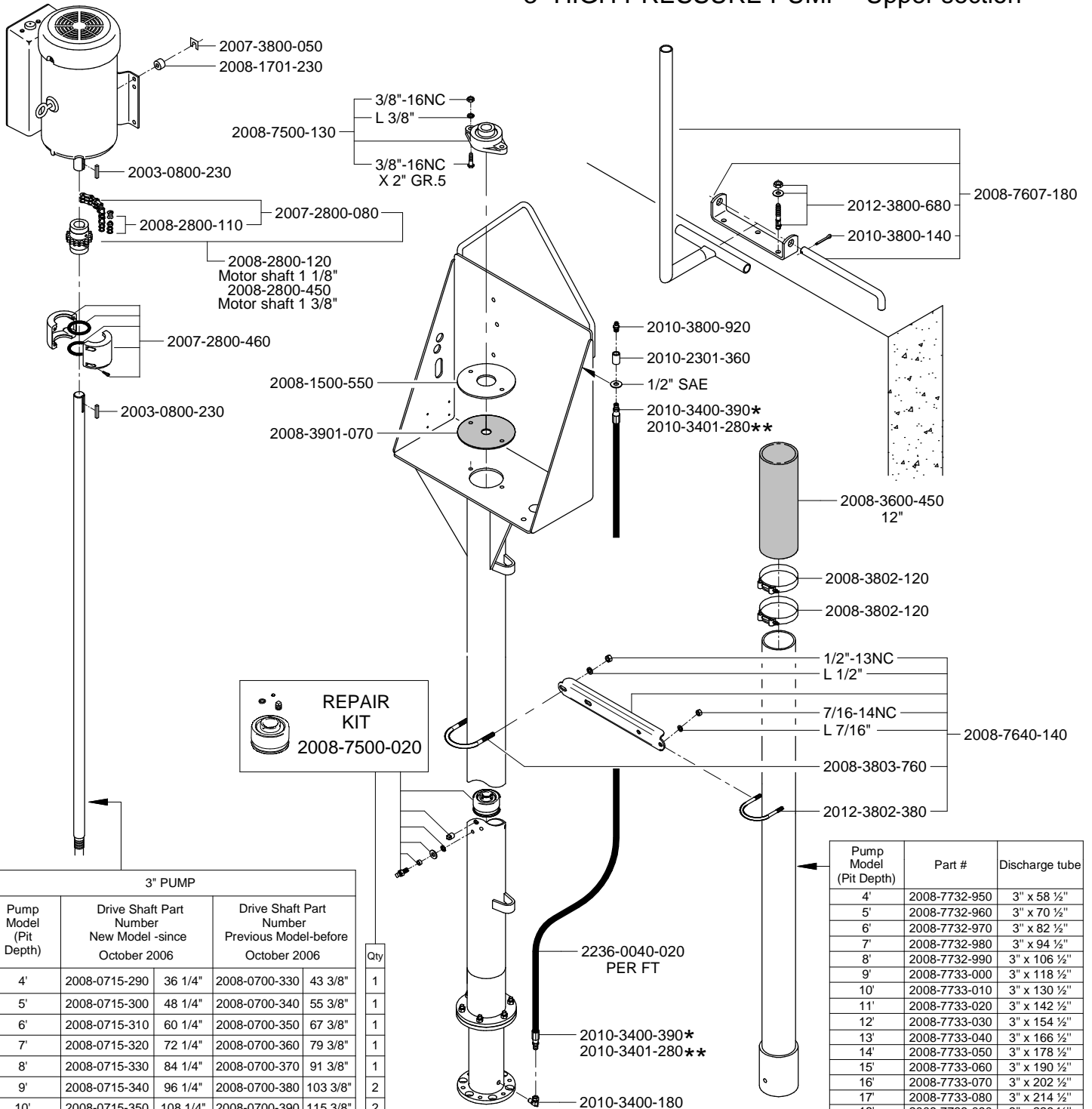
\*SCREW-ON COUPLING  
\*\*CRIMPED COUPLING (FACTORY MOUNTED)

## 3" REGULAR PUMP - Lower section

3" PUMP					
Pump Model (Pit Depth)	Drive Shaft Part Number New Model -since October 2006	Drive Shaft Part Number Previous Model-before October 2006			Qty
4'	2008-0715-290	36 1/4"	2008-0700-330	43 3/8"	1
5'	2008-0715-300	48 1/4"	2008-0700-340	55 3/8"	1
6'	2008-0715-310	60 1/4"	2008-0700-350	67 3/8"	1
7'	2008-0715-320	72 1/4"	2008-0700-360	79 3/8"	1
8'	2008-0715-330	84 1/4"	2008-0700-370	91 3/8"	1
9'	2008-0715-340	96 1/4"	2008-0700-380	103 3/8"	2
10'	2008-0715-350	108 1/4"	2008-0700-390	115 3/8"	2
11'	2008-0715-360	120 1/4"	2008-0700-400	127 3/8"	2
12'	2008-0715-370	132 1/4"	2008-0700-410	139 3/8"	2
13'	2008-0715-380	144 1/4"	2008-0700-420	151 3/8"	3
14'	2008-0715-390	156 1/4"	2008-0700-430	163 3/8"	3
15'	2008-0715-400	168 1/4"	2008-0700-440	175 3/8"	3
16'	2008-0715-410	180 1/4"	2008-0700-450	187 3/8"	4
17'	2008-0715-420	192 1/4"	2008-0700-460	199 3/8"	4
18'	2008-0715-430	204 1/4"	2008-0700-470	211 3/8"	4
19'	2008-0715-440	216 1/4"	2008-0700-480	223 3/8"	5
20'	2008-0715-450	228 1/4"	2008-0700-490	235 3/8"	5



## 3" HIGH PRESSURE PUMP - Upper section

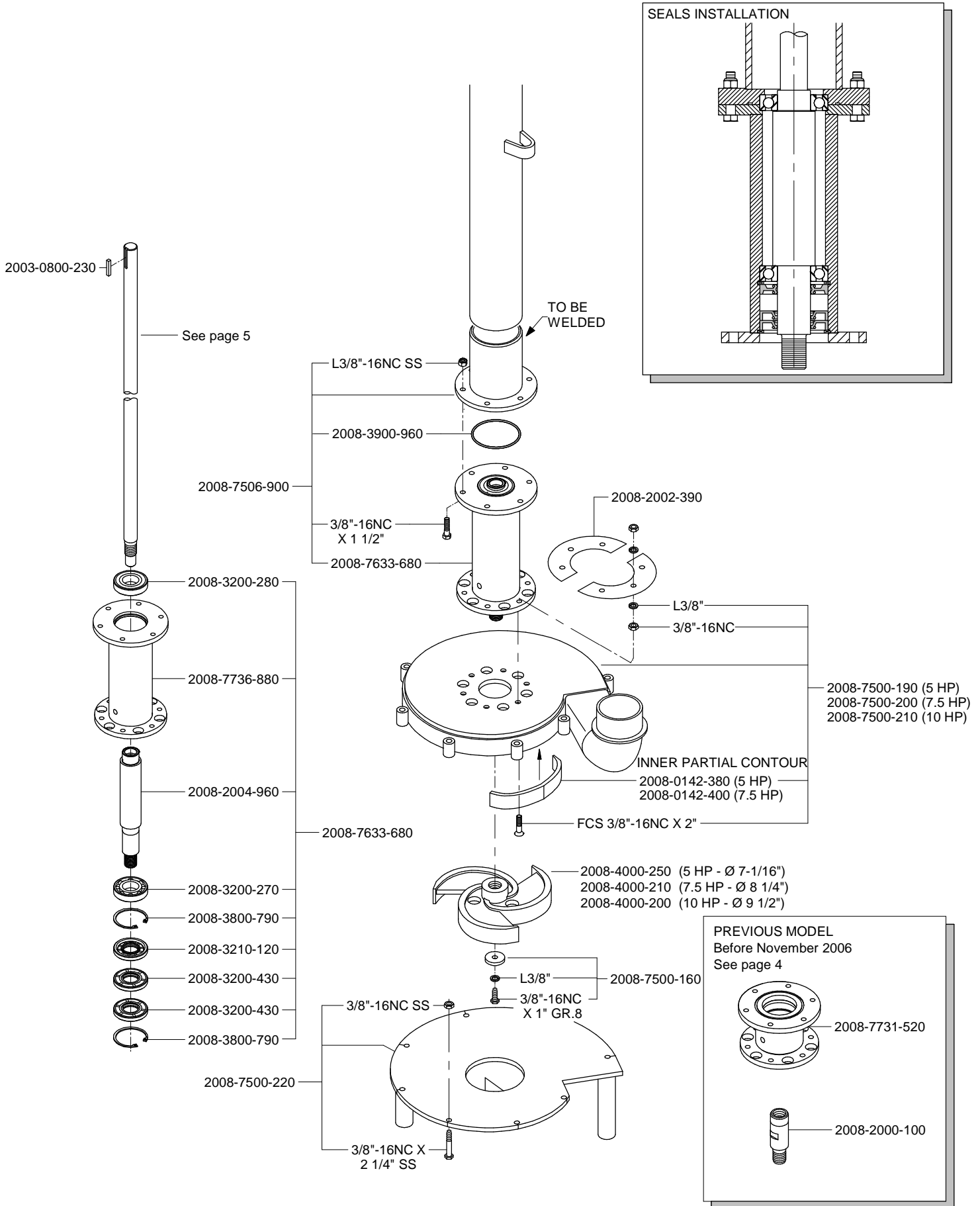


Pump Model (Pit Depth)	Part #	Discharge tube
4'	2008-7732-950	3" x 58 1/2"
5'	2008-7732-960	3" x 70 1/2"
6'	2008-7732-970	3" x 82 1/2"
7'	2008-7732-980	3" x 94 1/2"
8'	2008-7732-990	3" x 106 1/2"
9'	2008-7733-000	3" x 118 1/2"
10'	2008-7733-010	3" x 130 1/2"
11'	2008-7733-020	3" x 142 1/2"
12'	2008-7733-030	3" x 154 1/2"
13'	2008-7733-040	3" x 166 1/2"
14'	2008-7733-050	3" x 178 1/2"
15'	2008-7733-060	3" x 190 1/2"
16'	2008-7733-070	3" x 202 1/2"
17'	2008-7733-080	3" x 214 1/2"
18'	2008-7733-090	3" x 226 1/2"
19'	2008-7733-100	3" x 238 1/2"
20'	2008-7733-110	3" x 250 1/2"

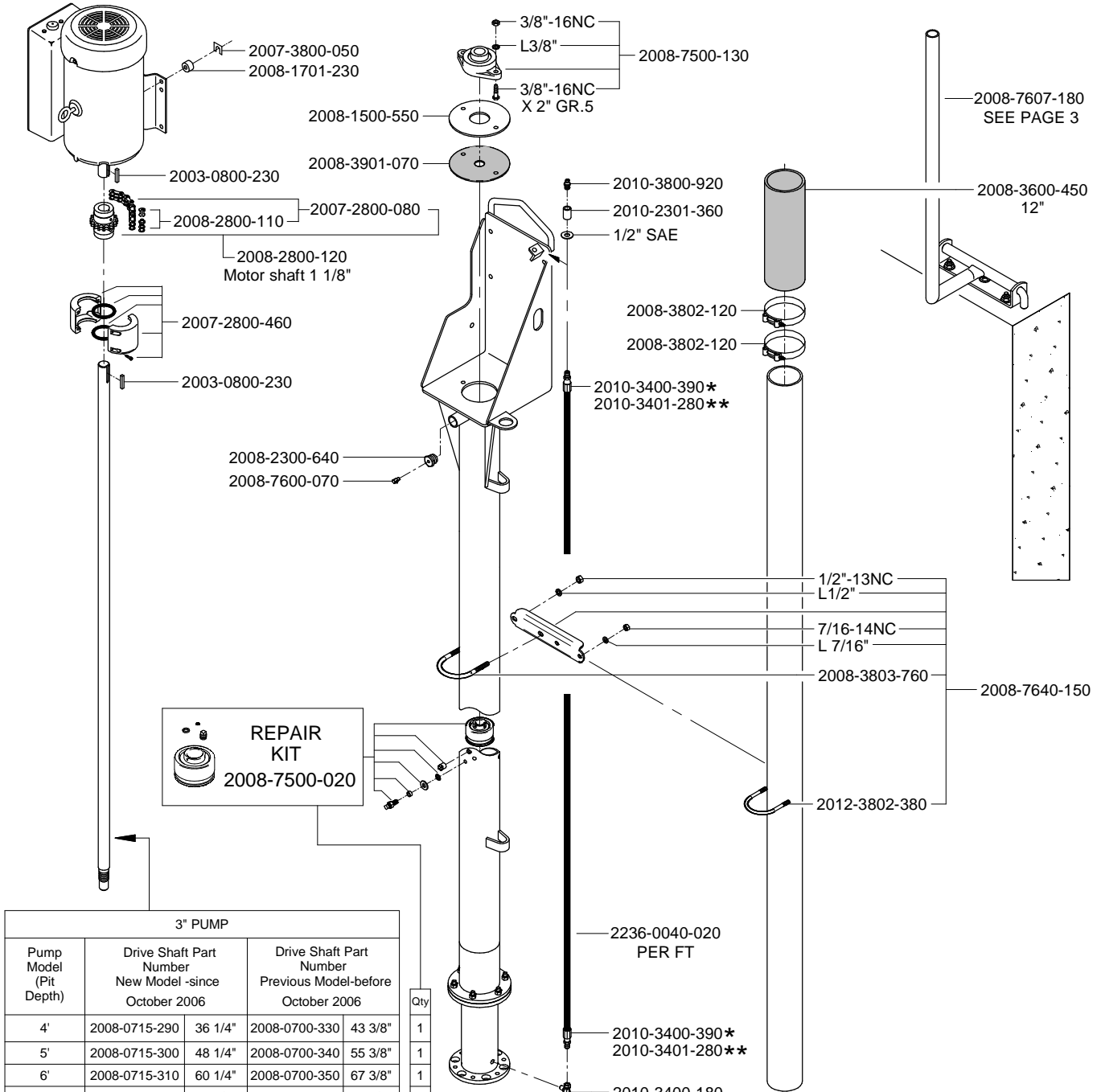
3" PUMP						
Pump Model (Pit Depth)	Drive Shaft Part Number New Model -since October 2006	Drive Shaft Part Number Previous Model-before October 2006	Qty			
4'	2008-0715-290	36 1/4"	2008-0700-330	43 3/8"	1	
5'	2008-0715-300	48 1/4"	2008-0700-340	55 3/8"	1	
6'	2008-0715-310	60 1/4"	2008-0700-350	67 3/8"	1	
7'	2008-0715-320	72 1/4"	2008-0700-360	79 3/8"	1	
8'	2008-0715-330	84 1/4"	2008-0700-370	91 3/8"	1	
9'	2008-0715-340	96 1/4"	2008-0700-380	103 3/8"	2	
10'	2008-0715-350	108 1/4"	2008-0700-390	115 3/8"	2	
11'	2008-0715-360	120 1/4"	2008-0700-400	127 3/8"	2	
12'	2008-0715-370	132 1/4"	2008-0700-410	139 3/8"	2	
13'	2008-0715-380	144 1/4"	2008-0700-420	151 3/8"	3	
14'	2008-0715-390	156 1/4"	2008-0700-430	163 3/8"	3	
15'	2008-0715-400	168 1/4"	2008-0700-440	175 3/8"	3	
16'	2008-0715-410	180 1/4"	2008-0700-450	187 3/8"	4	
17'	2008-0715-420	192 1/4"	2008-0700-460	199 3/8"	4	
18'	2008-0715-430	204 1/4"	2008-0700-470	211 3/8"	4	
19'	2008-0715-440	216 1/4"	2008-0700-480	223 3/8"	5	
20'	2008-0715-450	228 1/4"	2008-0700-490	235 3/8"	5	

\*SCREW-ON COUPLING  
\*\*CRIMPED COUPLING (FACTORY MOUNTED)

**3" HIGH PRESSURE PUMP - Lower section**

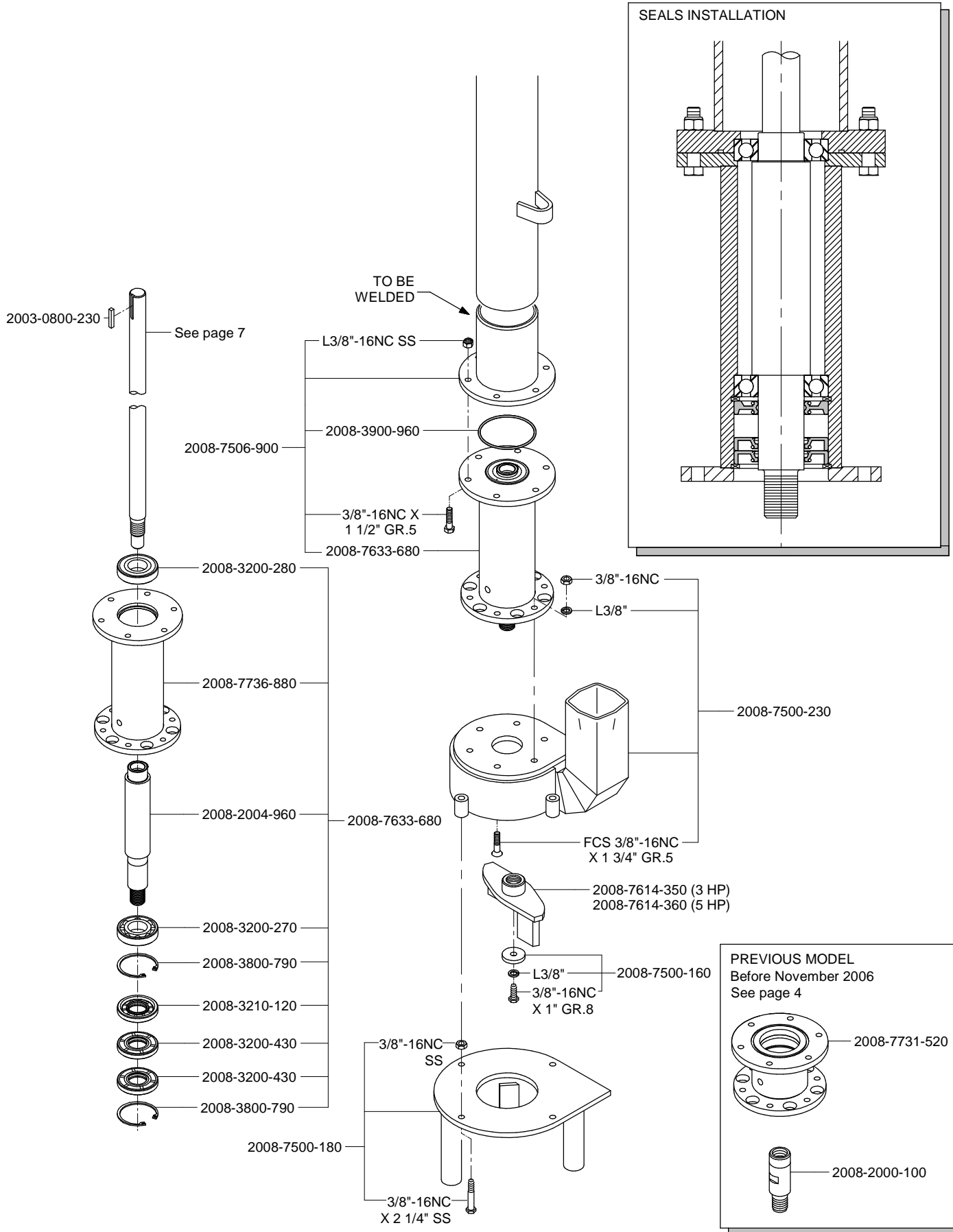


## 3" COMPACT PUMP - Upper section



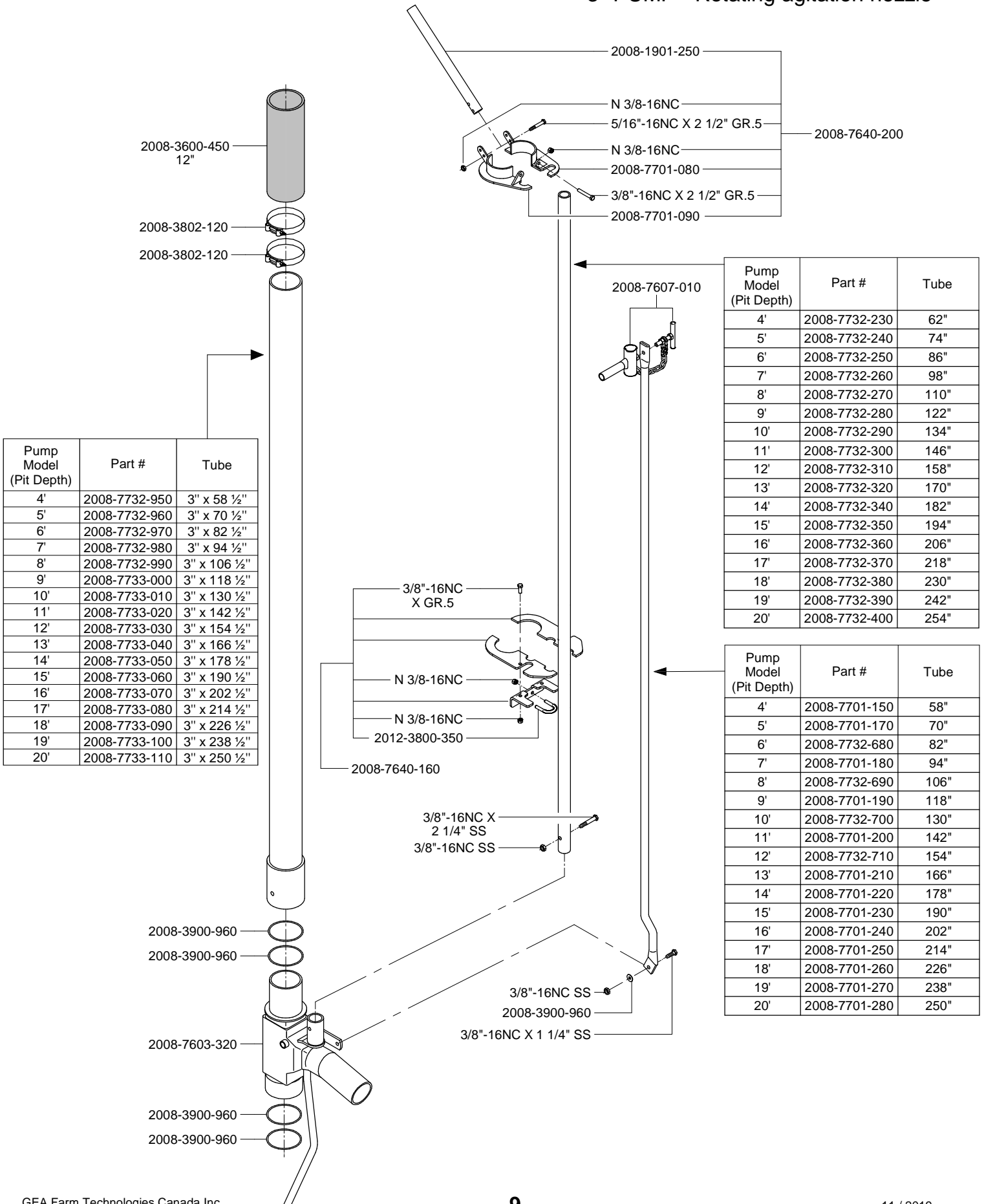
3" PUMP					
Pump Model (Pit Depth)	Drive Shaft Part Number		Drive Shaft Part Number		Qty
	New Model -since October 2006	Previous Model -before October 2006	New Model -since October 2006	Previous Model -before October 2006	
4'	2008-0715-290	36 1/4"	2008-0700-330	43 3/8"	1
5'	2008-0715-300	48 1/4"	2008-0700-340	55 3/8"	1
6'	2008-0715-310	60 1/4"	2008-0700-350	67 3/8"	1
7'	2008-0715-320	72 1/4"	2008-0700-360	79 3/8"	1
8'	2008-0715-330	84 1/4"	2008-0700-370	91 3/8"	1
9'	2008-0715-340	96 1/4"	2008-0700-380	103 3/8"	2
10'	2008-0715-350	108 1/4"	2008-0700-390	115 3/8"	2
11'	2008-0715-360	120 1/4"	2008-0700-400	127 3/8"	2
12'	2008-0715-370	132 1/4"	2008-0700-410	139 3/8"	2
13'	2008-0715-380	144 1/4"	2008-0700-420	151 3/8"	3
14'	2008-0715-390	156 1/4"	2008-0700-430	163 3/8"	3
15'	2008-0715-400	168 1/4"	2008-0700-440	175 3/8"	3
16'	2008-0715-410	180 1/4"	2008-0700-450	187 3/8"	4
17'	2008-0715-420	192 1/4"	2008-0700-460	199 3/8"	4
18'	2008-0715-430	204 1/4"	2008-0700-470	211 3/8"	4
19'	2008-0715-440	216 1/4"	2008-0700-480	223 3/8"	5
20'	2008-0715-450	228 1/4"	2008-0700-490	235 3/8"	5

\*REUSABLE CRIMP COUPLING  
\*\*CRIMP COUPLING PRESSED ON HOSE (FACTORY MOUNTED)

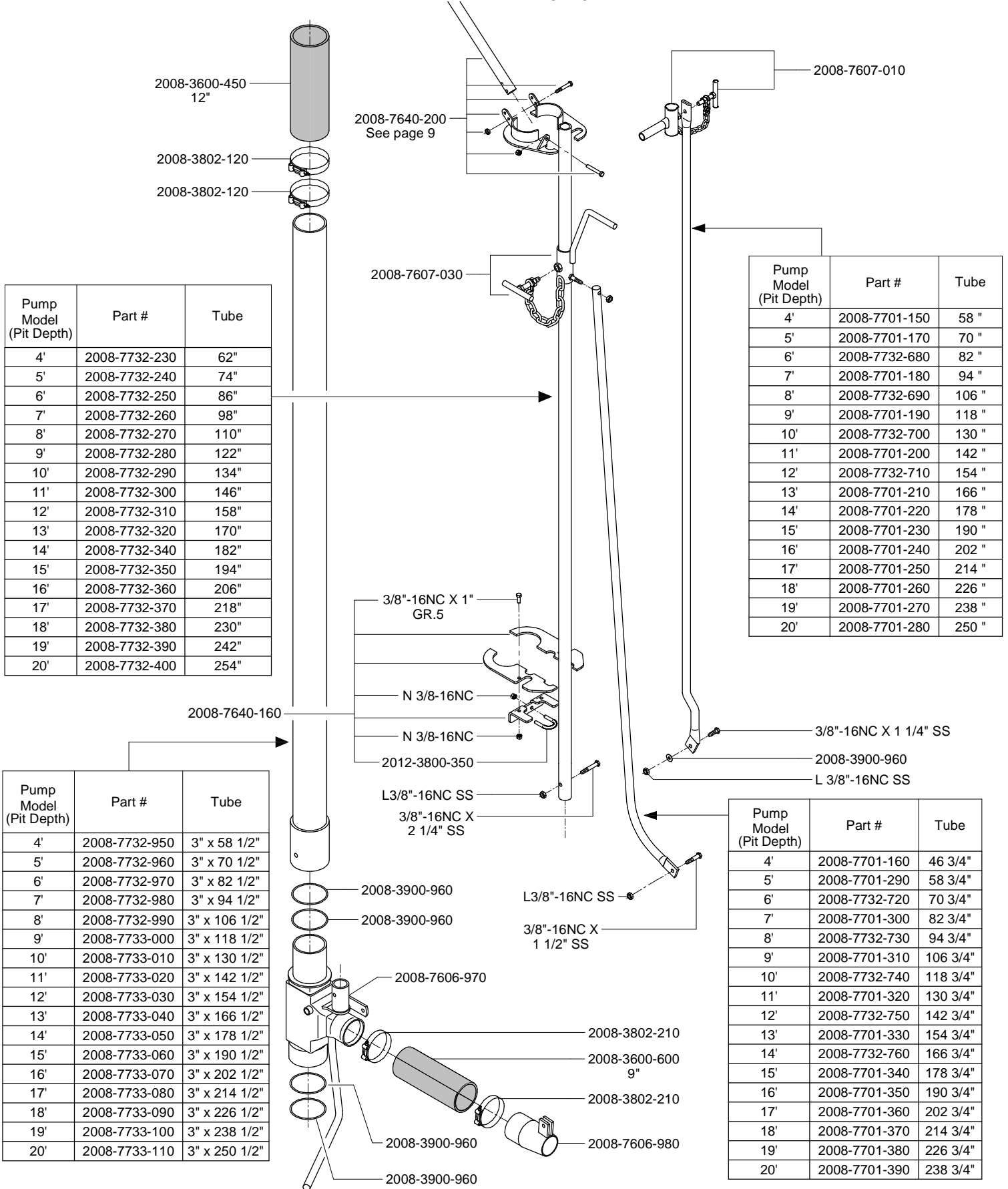




## 3" PUMP - Rotating agitation nozzle

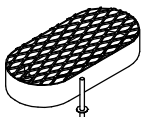


## 3" PUMP - Rotating agitation nozzle with vertical adjustment

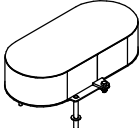


**4" PUMP FOR HOG MANURE - Upper section**

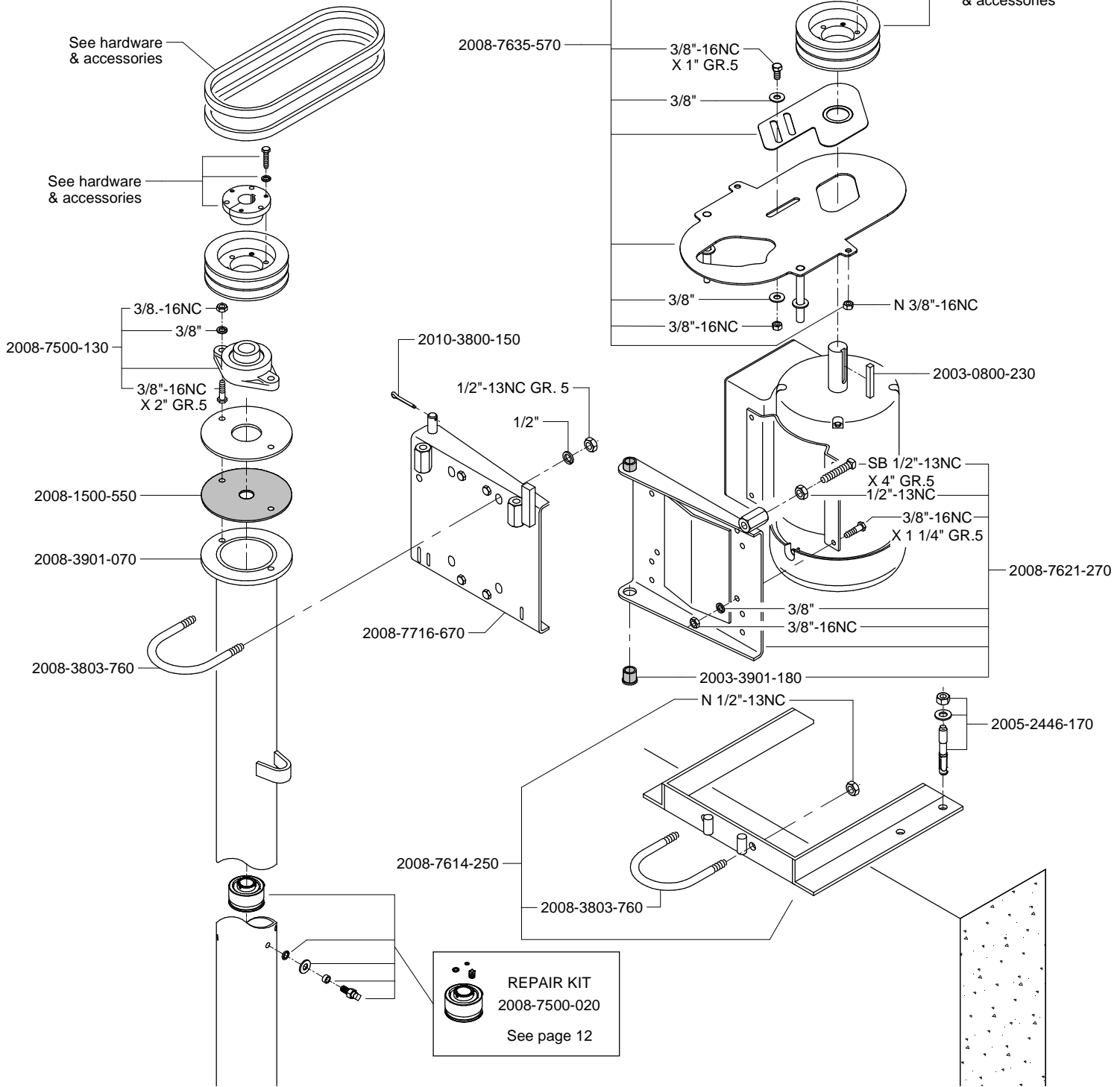
**PREVIOUS MODEL**



**CURRENT MODEL**  
2008-7635-570

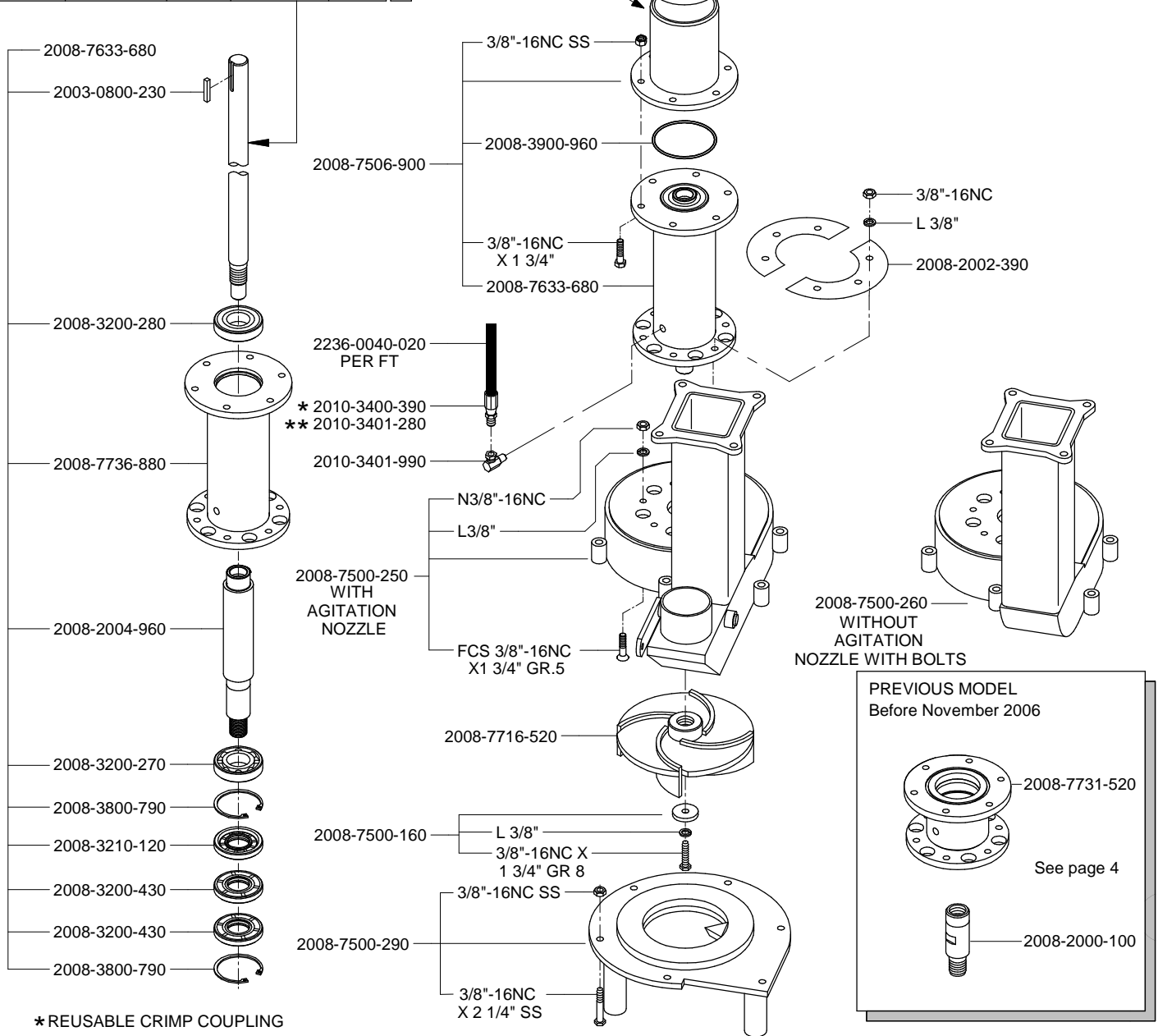
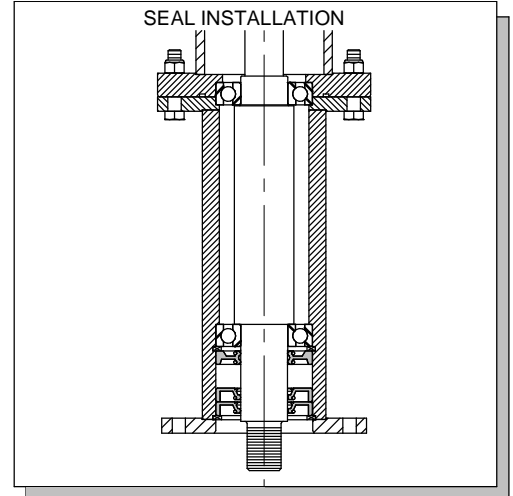


If the pump was manufactured before June 2010, the older guard must be replaced by the current model 2008-7635-570.



**4" PUMP FOR HOG MANURE - Lower Section**

4" PUMP					Qty
Pump Model (Pit Depth)	Drive Shaft Part Number New Model -since October 2006	Drive Shaft Part Number Previous Model-before October 2006	67 3/8"	79 3/8"	
4'	2008-0715-310	60 1/4"	2008-0700-350	67 3/8"	1
5'	2008-0715-320	72 1/4"	2008-0700-360	79 3/8"	1
6'	2008-0715-330	84 1/4"	2008-0700-370	91 3/8"	1
7'	2008-0715-340	96 1/4"	2008-0700-380	103 3/8"	2
8'	2008-0715-350	108 1/4"	2008-0700-390	115 3/8"	2
9'	2008-0715-360	120 1/4"	2008-0700-400	127 3/8"	2
10'	2008-0715-370	132 1/4"	2008-0700-410	139 3/8"	2
11'	2008-0715-380	144 1/4"	2008-0700-420	151 3/8"	3
12'	2008-0715-390	156 1/4"	2008-0700-430	163 3/8"	3
13'	2008-0715-400	168 1/4"	2008-0700-440	175 3/8"	3
14'	2008-0715-410	180 1/4"	2008-0700-450	187 3/8"	3
15'	2008-0715-420	192 1/4"	2008-0700-460	199 3/8"	4
16'	2008-0715-430	204 1/4"	2008-0700-470	211 3/8"	4
17'	2008-0715-440	216 1/4"	2008-0700-480	223 3/8"	4
18'	2008-0715-450	228 1/4"	2008-0700-490	235 3/8"	5



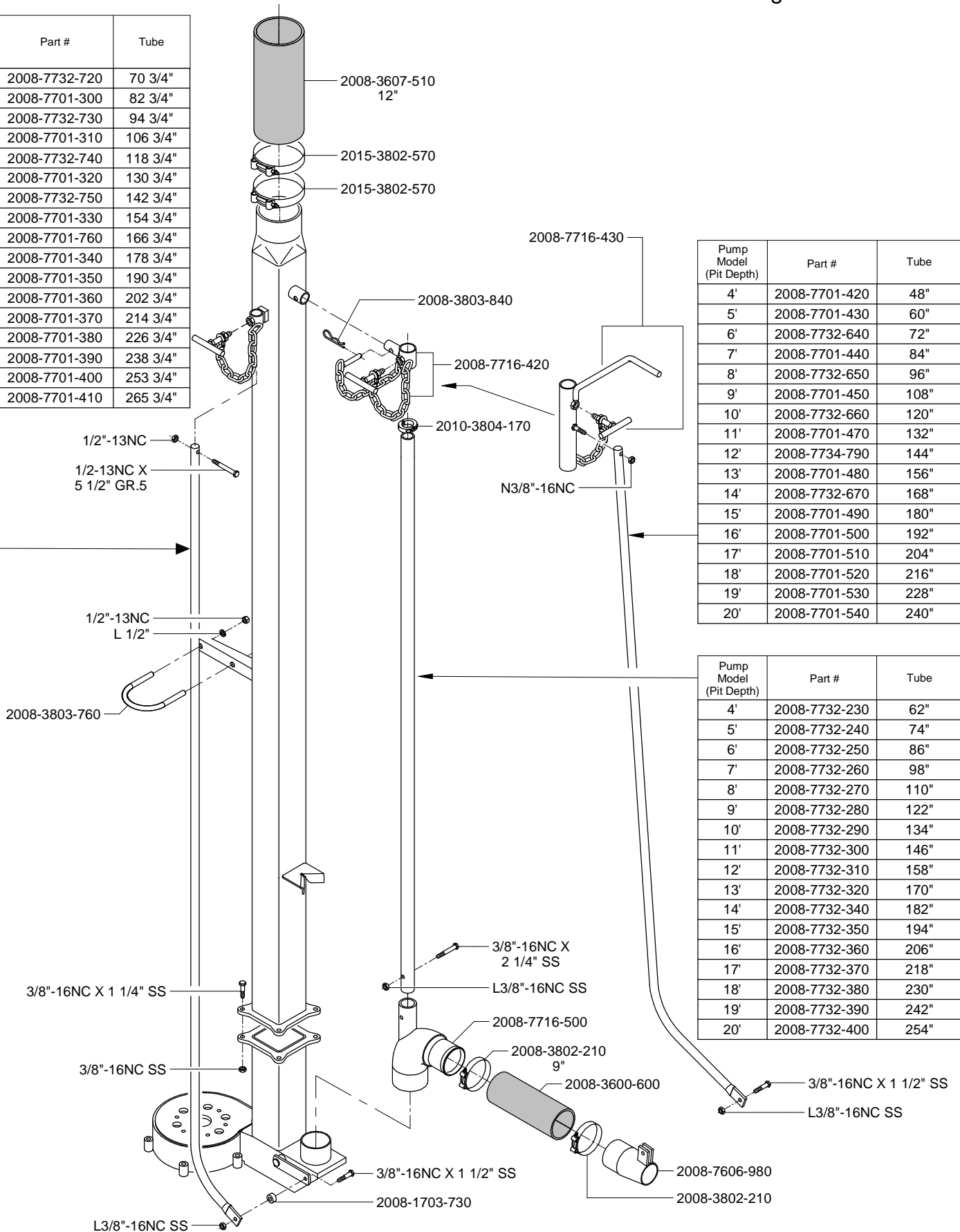
\* REUSABLE CRIMP COUPLING  
 \*\* CRIMP COUPLING PRESSED ON HOSE (FACTORY MOUNTED)

## 4" PUMP FOR HOG MANURE - Agitation nozzle

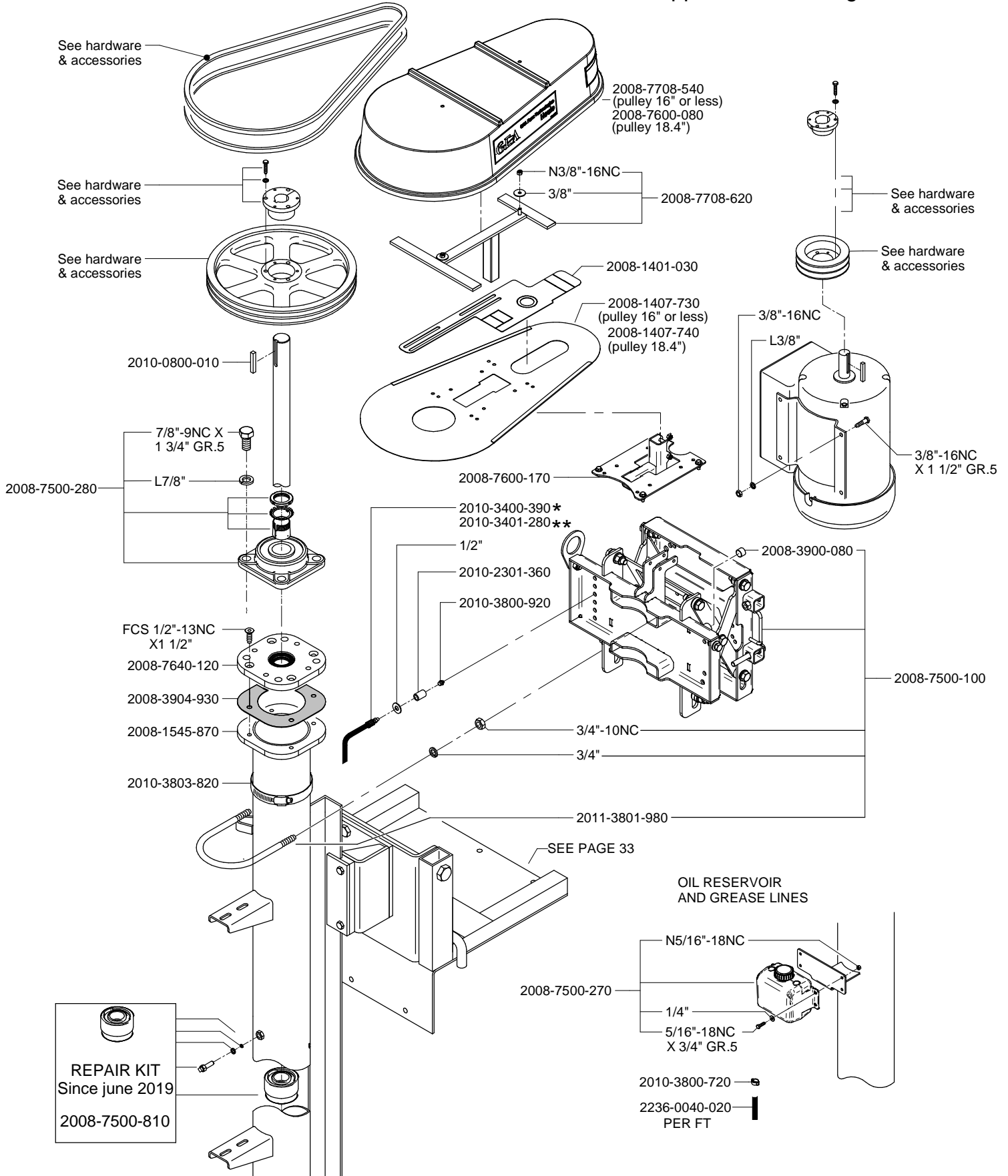
Pump Model (Pit Depth)	Part #	Tube
4'	2008-7732-720	70 3/4"
5'	2008-7701-300	82 3/4"
6'	2008-7732-730	94 3/4"
7'	2008-7701-310	106 3/4"
8'	2008-7732-740	118 3/4"
9'	2008-7701-320	130 3/4"
10'	2008-7732-750	142 3/4"
11'	2008-7701-330	154 3/4"
12'	2008-7701-760	166 3/4"
13'	2008-7701-340	178 3/4"
14'	2008-7701-350	190 3/4"
15'	2008-7701-360	202 3/4"
16'	2008-7701-370	214 3/4"
17'	2008-7701-380	226 3/4"
18'	2008-7701-390	238 3/4"
19'	2008-7701-400	253 3/4"
20'	2008-7701-410	265 3/4"

Pump Model (Pit Depth)	Part #	Tube
4'	2008-7701-420	48"
5'	2008-7701-430	60"
6'	2008-7732-640	72"
7'	2008-7701-440	84"
8'	2008-7732-650	96"
9'	2008-7701-450	108"
10'	2008-7732-660	120"
11'	2008-7701-470	132"
12'	2008-7734-790	144"
13'	2008-7701-480	156"
14'	2008-7732-670	168"
15'	2008-7701-490	180"
16'	2008-7701-500	192"
17'	2008-7701-510	204"
18'	2008-7701-520	216"
19'	2008-7701-530	228"
20'	2008-7701-540	240"

Pump Model (Pit Depth)	Part #	Tube
4'	2008-7732-230	62"
5'	2008-7732-240	74"
6'	2008-7732-250	86"
7'	2008-7732-260	98"
8'	2008-7732-270	110"
9'	2008-7732-280	122"
10'	2008-7732-290	134"
11'	2008-7732-300	146"
12'	2008-7732-310	158"
13'	2008-7732-320	170"
14'	2008-7732-340	182"
15'	2008-7732-350	194"
16'	2008-7732-360	206"
17'	2008-7732-370	218"
18'	2008-7732-380	230"
19'	2008-7732-390	242"
20'	2008-7732-400	254"

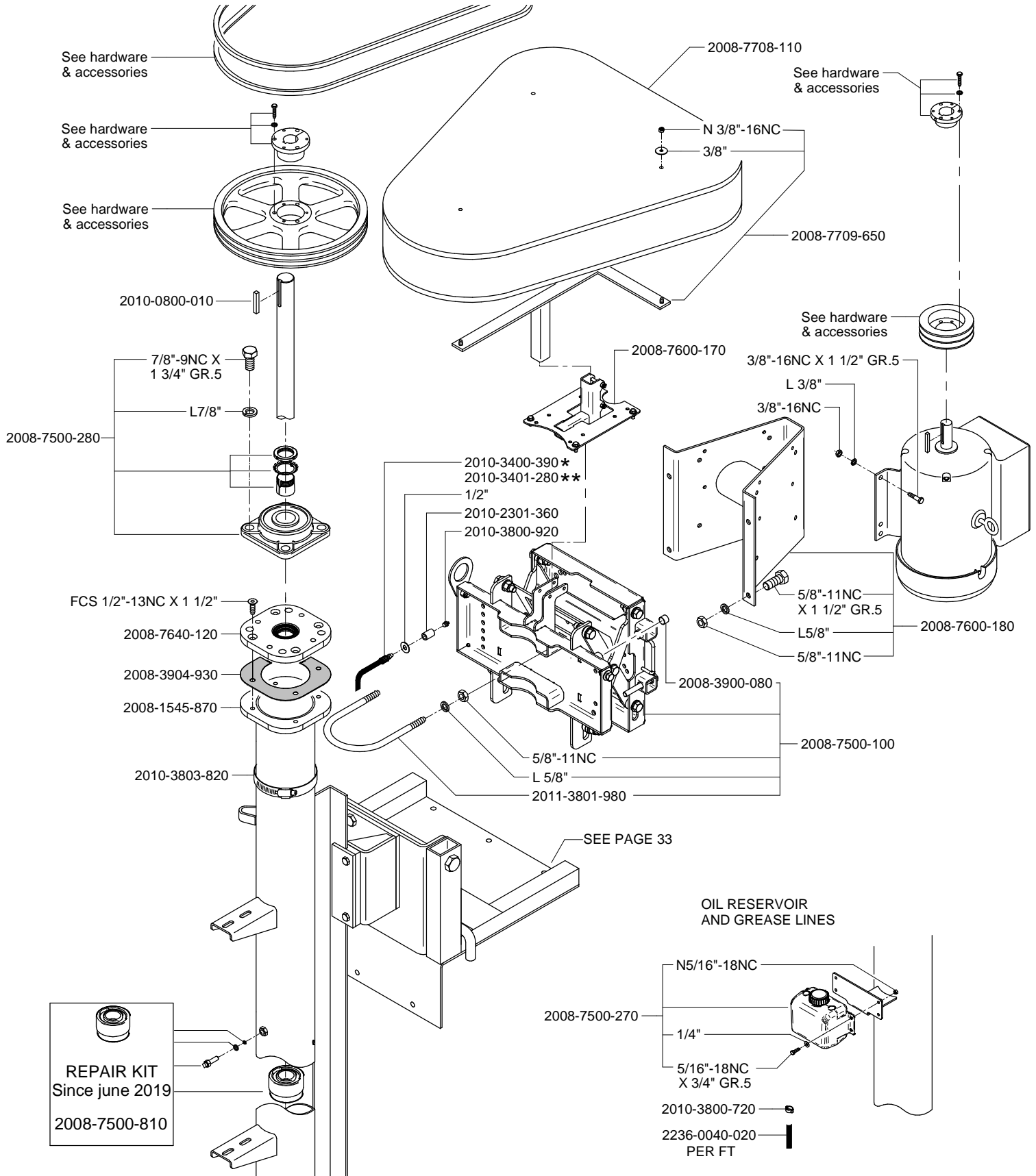


**4" PUMP FOR LIQUID DAIRY MANURE - Upper section - Single motor**



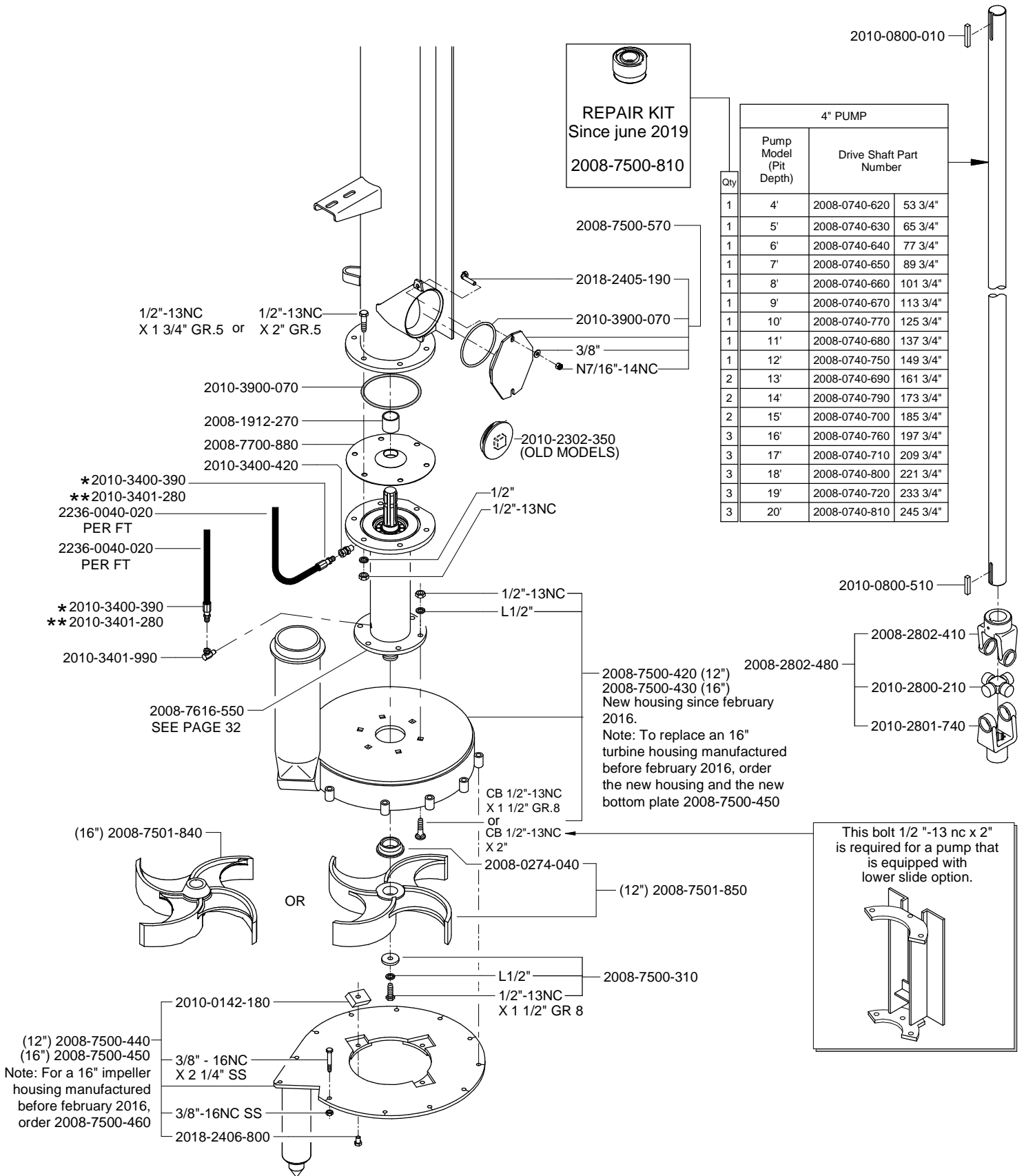
\* REUSABLE CRIMP COUPLING  
\*\* CRIMP COUPLING PRESSED ON HOSE (FACTORY MOUNTED)

**4" PUMP FOR LIQUID DAIRY MANURE - Upper section - Twin motor**



\* REUSABLE CRIMP COUPLING  
 \*\* CRIMP COUPLING PRESSED ON HOSE (FACTORY MOUNTED)

## 4" PUMP FOR LIQUID DAIRY MANURE - Lower section

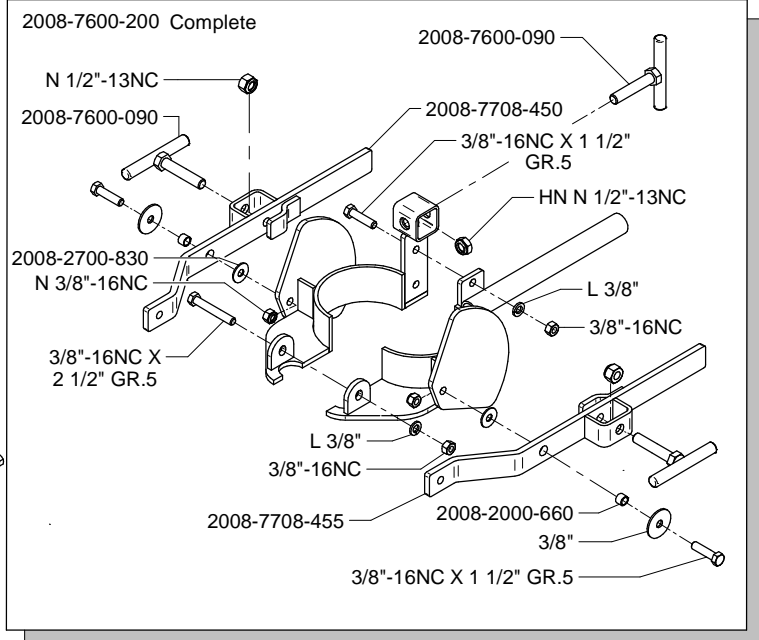


\*CRIMPED COUPLING  
 \*\*CRIMPED COUPLING (FACTORY MOUNTED)  
 GEA Farm Technologies Canada Inc.  
 Division GEA Houle



## 4" PUMP FOR LIQUID DAIRY MANURE - Agitation nozzle

2010-7500-390  
See page 28

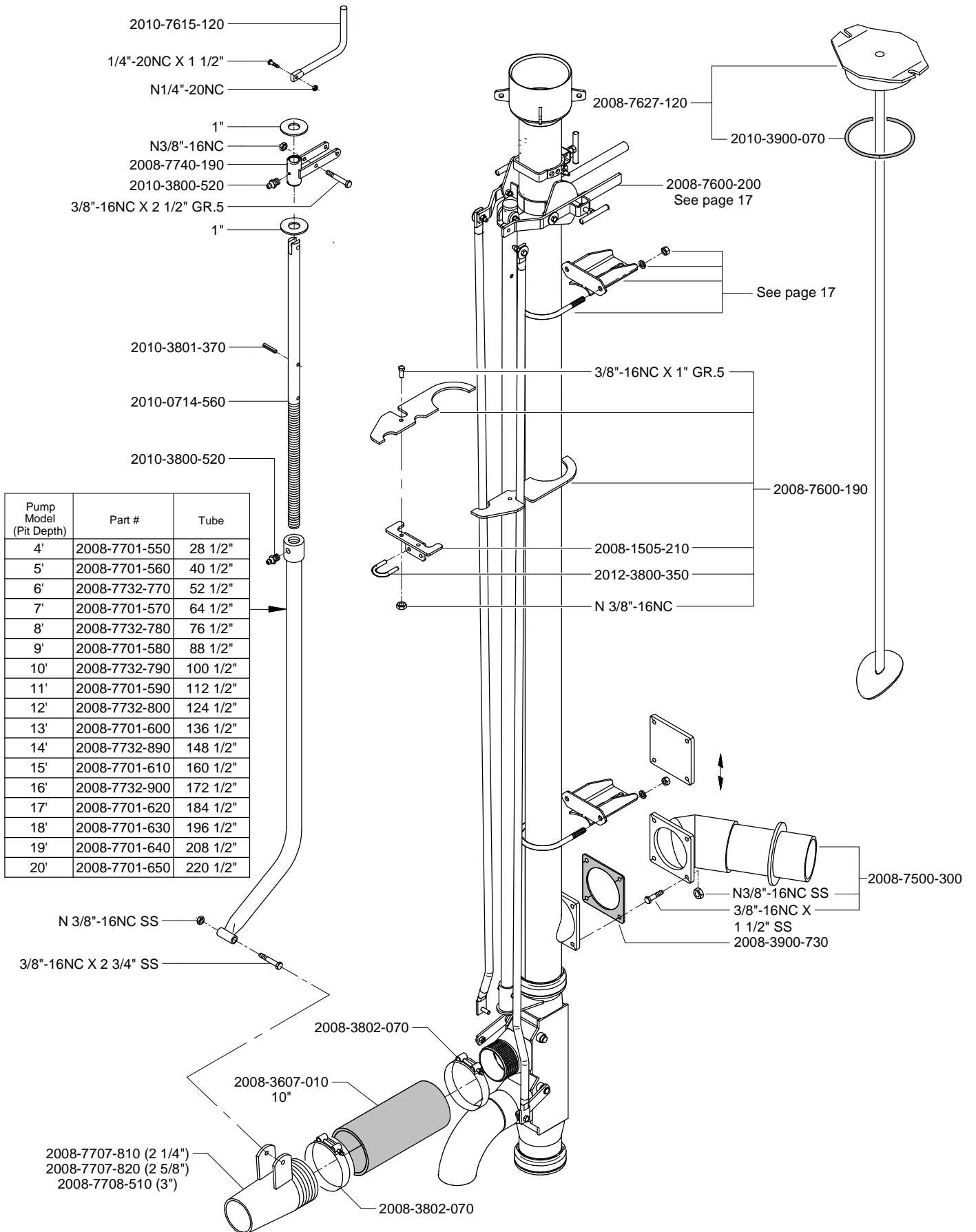


Pump Model (Pit Depth)	Part #	Tube
4'	2008-7701-660	43 1/4"
5'	2008-7701-670	55 1/4"
6'	2008-7732-810	67 3/8"
7'	2008-7701-680	79 1/4"
8'	2008-7732-820	91 1/4"
9'	2008-7701-690	103 1/4"
10'	2008-7732-830	115 1/4"
11'	2008-7701-700	127 1/4"
12'	2008-7732-840	139 3/4"
13'	2008-7701-710	151 1/4"
14'	2008-7700-570	163 1/4"
15'	2008-7701-720	175 1/4"
16'	2008-7700-590	187 11/32"
17'	2008-7701-730	199 1/4"
18'	2008-7701-740	211 1/4"
19'	2008-7701-750	223 1/4"
20'	2008-7701-760	235 1/4"

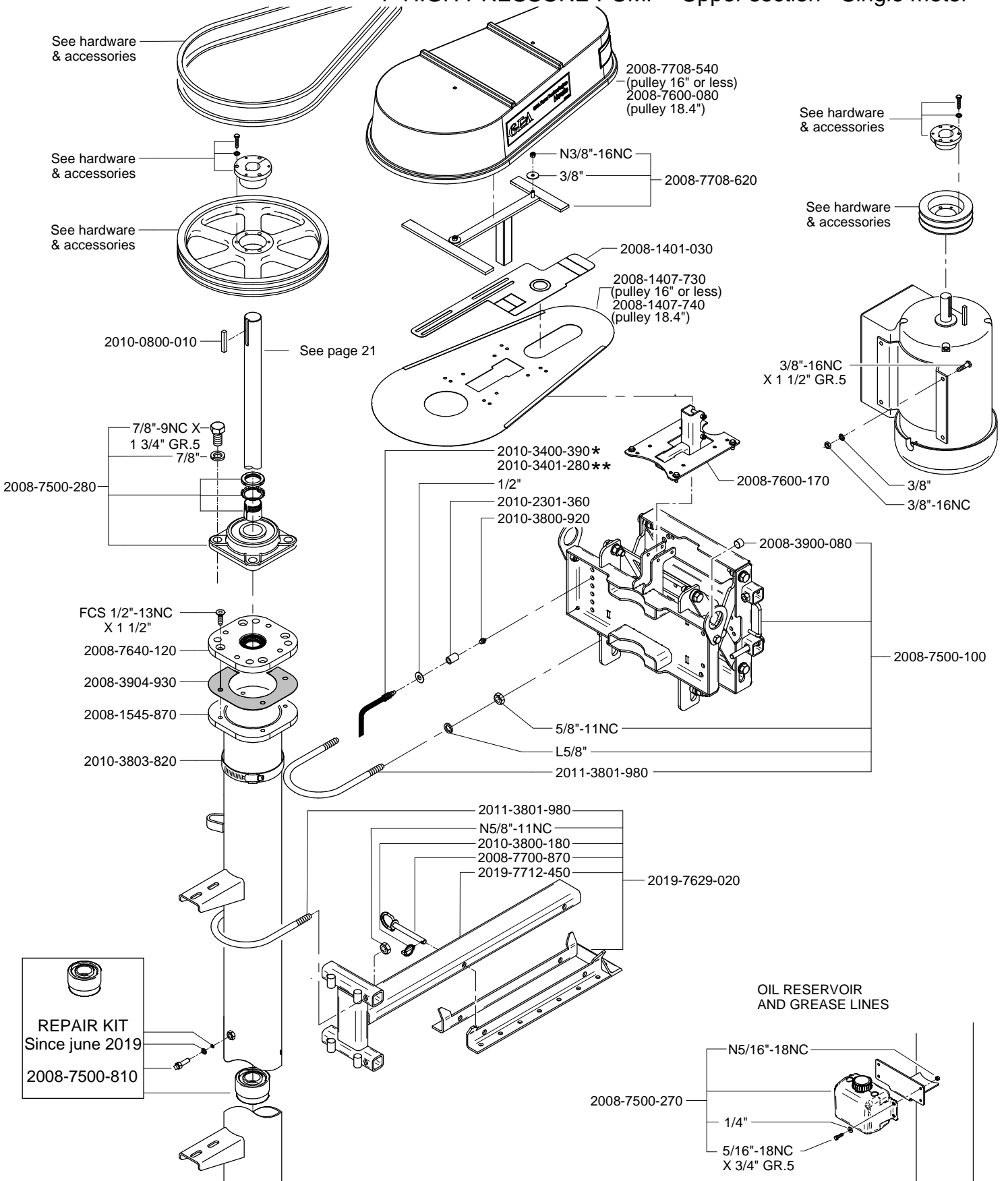
Pump Model (Pit Depth)	Part #	Tube
4'	2008-7731-880	41 1/8"
5'	2008-7731-890	53 1/8"
6'	2008-7731-900	65 1/8"
7'	2008-7731-910	77 1/8"
8'	2008-7731-920	89 1/8"
9'	2008-7731-930	101 1/8"
10'	2008-7731-940	113 1/8"
11'	2008-7731-950	125 1/8"
12'	2008-7731-960	137 1/8"
13'	2008-7731-970	149 1/8"
14'	2008-7731-980	161 1/8"
15'	2008-7731-990	173 1/8"
16'	2008-7732-000	185 1/8"
17'	2008-7732-010	197 1/8"
18'	2008-7732-020	209 1/8"
19'	2008-7732-030	221 1/8"
20'	2008-7732-040	233 1/8"

Pump Model (Pit Depth)	Part #	Tube
4'	2008-7701-770	50 5/16"
5'	2008-7701-790	62 5/16"
6'	2008-7732-850	74 5/16"
7'	2008-7701-800	86 5/16"
8'	2008-7732-860	98 5/16"
9'	2008-7701-810	110 5/16"
10'	2008-7732-870	122 1/4"
11'	2008-7701-820	134 5/16"
12'	2008-7732-880	146 1/4"
13'	2008-7701-830	158 5/16"
14'	2008-7700-610	170 1/4"
15'	2008-7701-840	182 5/16"
16'	2008-7700-630	194 5/16"
17'	2008-7701-850	206 5/16"
18'	2008-7701-860	218 5/16"
19'	2008-7701-870	230 5/16"
20'	2008-7701-880	242 5/16"

**4" PUMP FOR LIQUID DAIRY MANURE - Agitation nozzle**

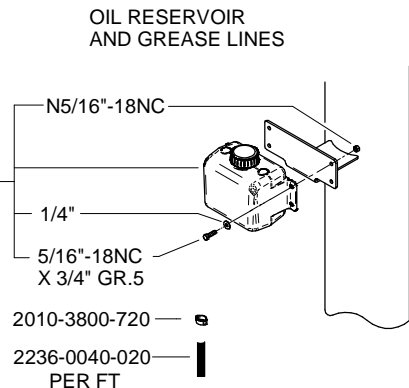


**4" HIGH PRESSURE PUMP - Upper section - Single motor**

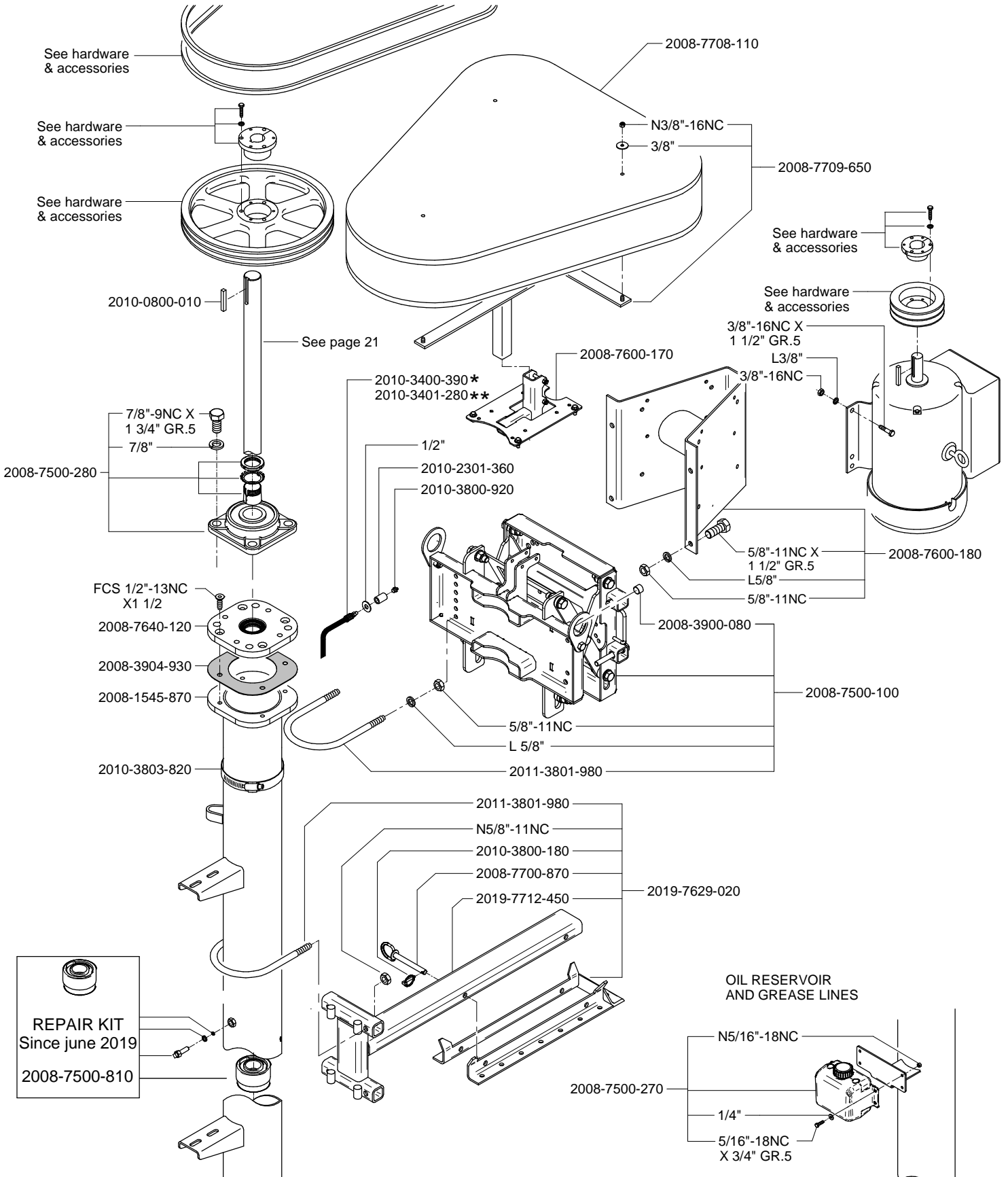


**REPAIR KIT**  
 Since June 2019  
 2008-7500-810

\* REUSABLE CRIMP COUPLING  
 \*\* CRIMP COUPLING PRESSED ON HOSE (FACTORY MOUNTED)



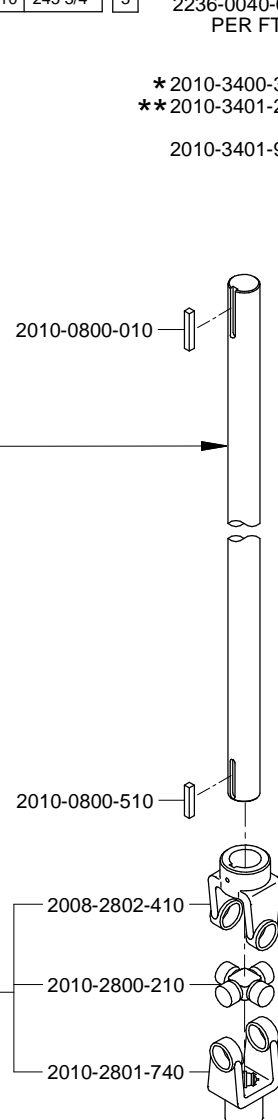
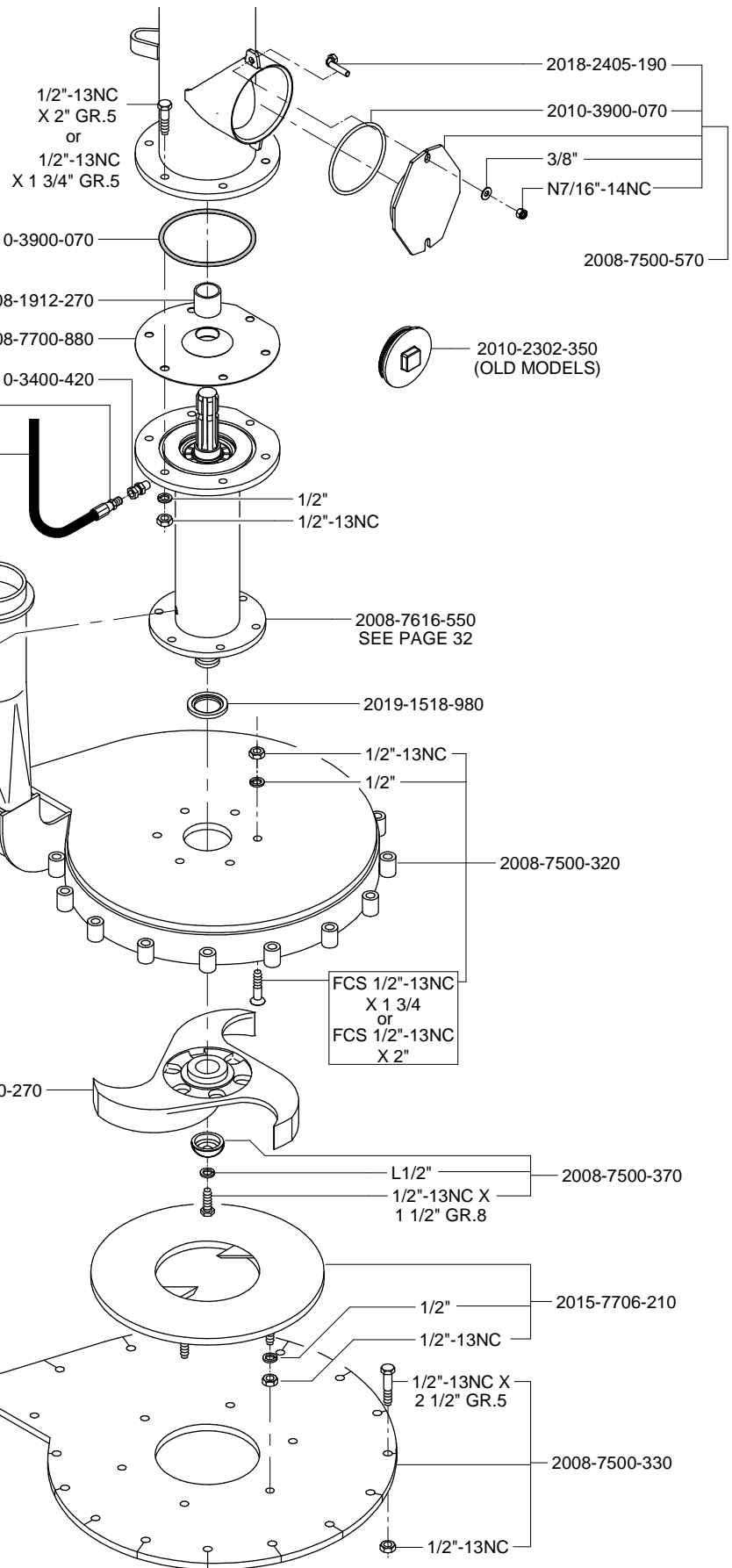
**4" HIGH PRESSURE PUMP - Upper section - Twin motor**



\* REUSABLE CRIMP COUPLING  
 \*\* CRIMP COUPLING PRESSED ON HOSE (FACTORY MOUNTED)

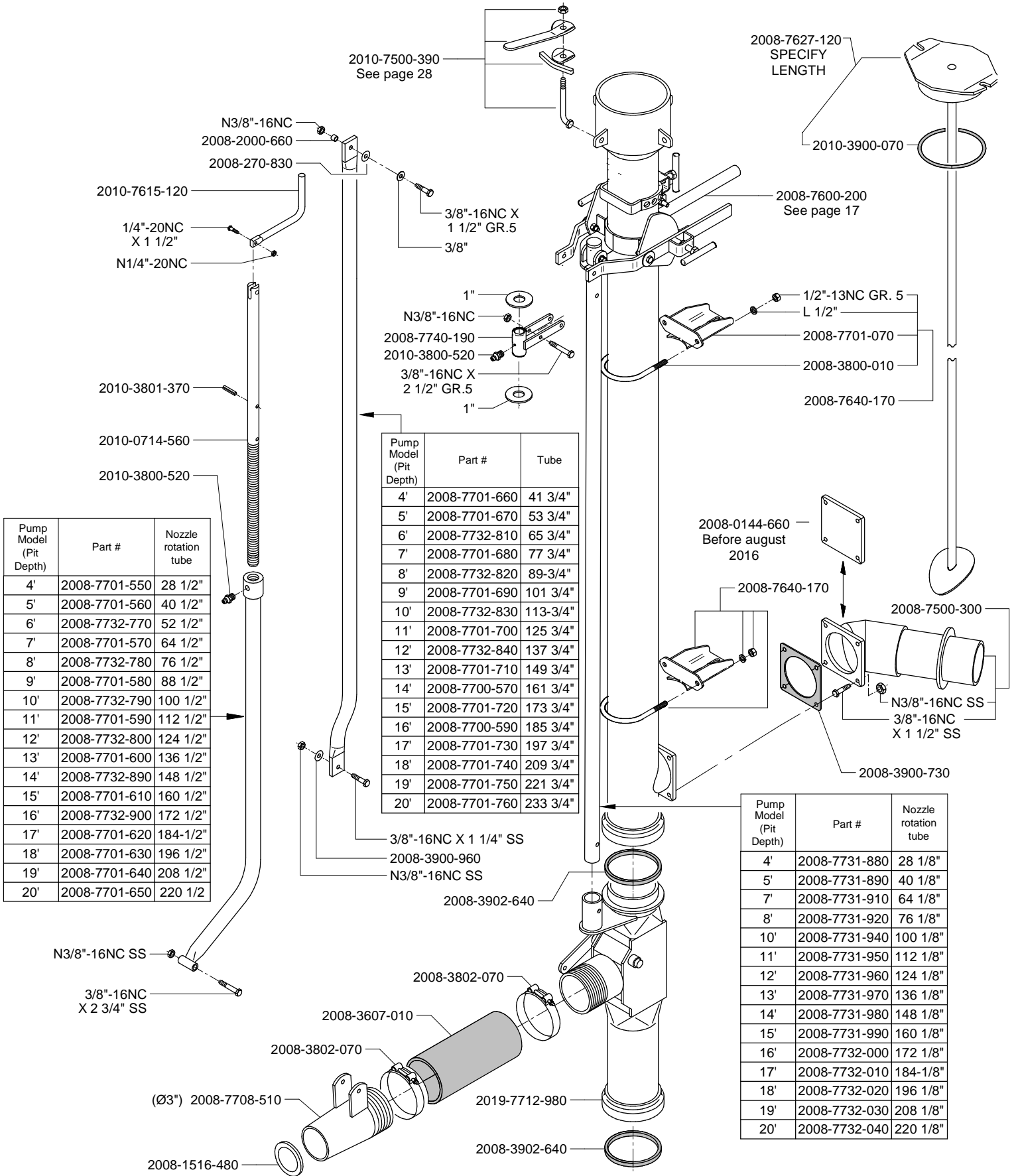
## 4" HIGH PRESSURE PUMP - Lower section

4" PUMP			
Pump Model (Pit Depth)	Drive Shaft Part Number		Qty
4'	2008-0740-620	53 3/4"	1
5'	2008-0740-630	65 3/4"	1
6'	2008-0740-640	77 3/4"	1
7'	2008-0740-650	89 3/4"	1
8'	2008-0740-660	101 3/4"	1
9'	2008-0740-670	113 3/4"	1
10'	2008-0740-320	125 3/4"	1
11'	2008-0740-680	137 3/4"	1
12'	2008-0740-750	149 3/4"	1
13'	2008-0740-690	161 3/4"	2
14'	2008-0740-790	173 3/4"	2
15'	2008-0740-700	185 3/4"	2
16'	2008-0740-760	197 3/4"	3
17'	2008-0740-710	209 3/4"	3
18'	2008-0740-800	221 3/4"	3
19'	2008-0740-720	233 3/4"	3
20'	2008-0740-810	245 3/4"	3



\*REUSABLE CRIMP COUPLING  
 \*\*CRIMP COUPLING PRESSED ON HOSE (FACTORY MOUNTED)  
 GEA Farm Technologies Canada Inc.  
 Division GEA Houle

**4" HIGH PRESSURE PUMP - Agitation nozzle**

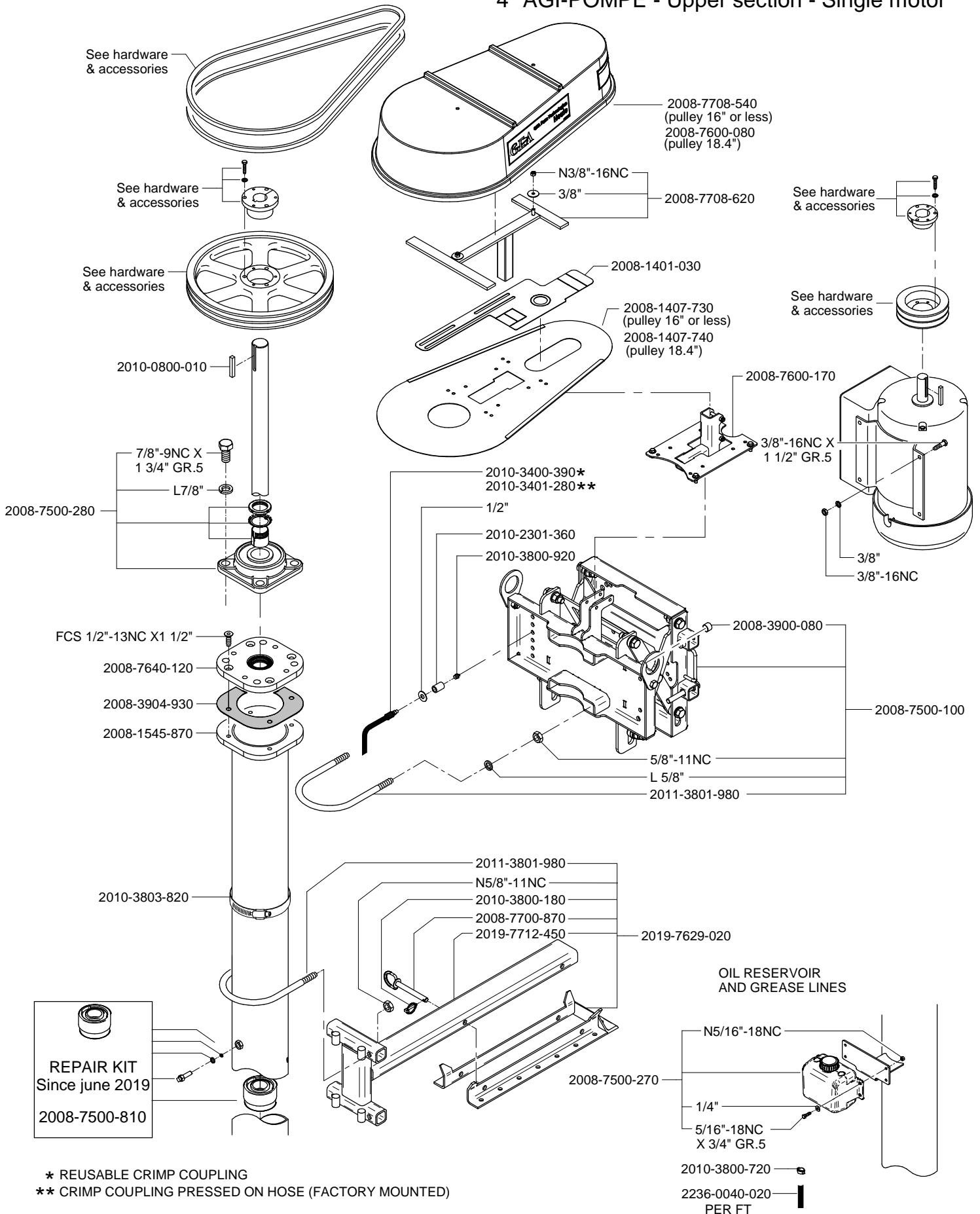


Pump Model (Pit Depth)	Part #	Nozzle rotation tube
4'	2008-7701-550	28 1/2"
5'	2008-7701-560	40 1/2"
6'	2008-7732-770	52 1/2"
7'	2008-7701-570	64 1/2"
8'	2008-7732-780	76 1/2"
9'	2008-7701-580	88 1/2"
10'	2008-7732-790	100 1/2"
11'	2008-7701-590	112 1/2"
12'	2008-7732-800	124 1/2"
13'	2008-7701-600	136 1/2"
14'	2008-7732-890	148 1/2"
15'	2008-7701-610	160 1/2"
16'	2008-7732-900	172 1/2"
17'	2008-7701-620	184-1/2"
18'	2008-7701-630	196 1/2"
19'	2008-7701-640	208 1/2"
20'	2008-7701-650	220 1/2"

Pump Model (Pit Depth)	Part #	Tube
4'	2008-7701-660	41 3/4"
5'	2008-7701-670	53 3/4"
6'	2008-7732-810	65 3/4"
7'	2008-7701-680	77 3/4"
8'	2008-7732-820	89-3/4"
9'	2008-7701-690	101 3/4"
10'	2008-7732-830	113-3/4"
11'	2008-7701-700	125 3/4"
12'	2008-7732-840	137 3/4"
13'	2008-7701-710	149 3/4"
14'	2008-7700-570	161 3/4"
15'	2008-7701-720	173 3/4"
16'	2008-7700-590	185 3/4"
17'	2008-7701-730	197 3/4"
18'	2008-7701-740	209 3/4"
19'	2008-7701-750	221 3/4"
20'	2008-7701-760	233 3/4"

Pump Model (Pit Depth)	Part #	Nozzle rotation tube
4'	2008-7731-880	28 1/8"
5'	2008-7731-890	40 1/8"
7'	2008-7731-910	64 1/8"
8'	2008-7731-920	76 1/8"
10'	2008-7731-940	100 1/8"
11'	2008-7731-950	112 1/8"
12'	2008-7731-960	124 1/8"
13'	2008-7731-970	136 1/8"
14'	2008-7731-980	148 1/8"
15'	2008-7731-990	160 1/8"
16'	2008-7732-000	172 1/8"
17'	2008-7732-010	184-1/8"
18'	2008-7732-020	196 1/8"
19'	2008-7732-030	208 1/8"
20'	2008-7732-040	220 1/8"

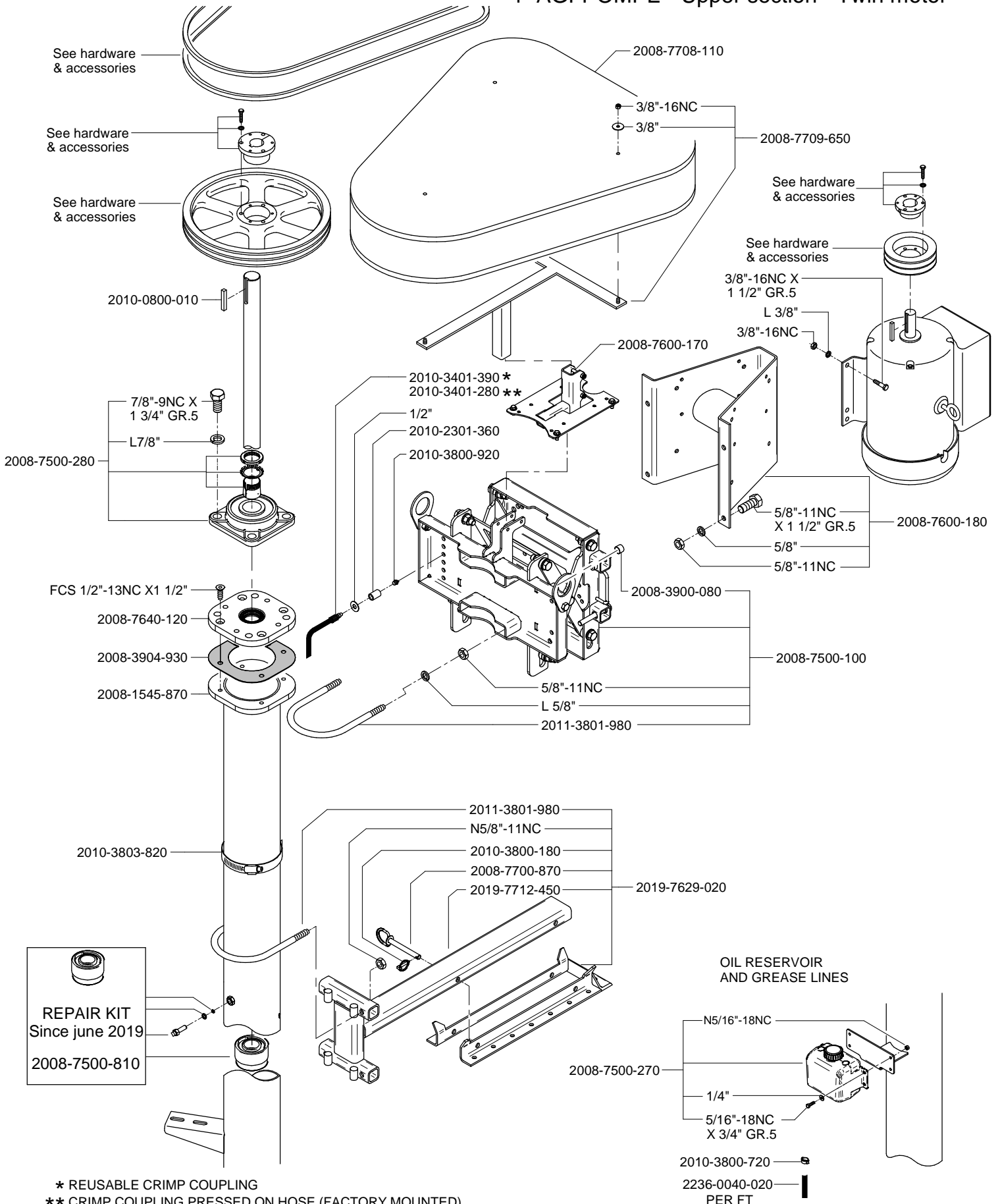
**4" AGI-POMPE - Upper section - Single motor**



\* REUSABLE CRIMP COUPLING

\*\* CRIMP COUPLING PRESSED ON HOSE (FACTORY MOUNTED)

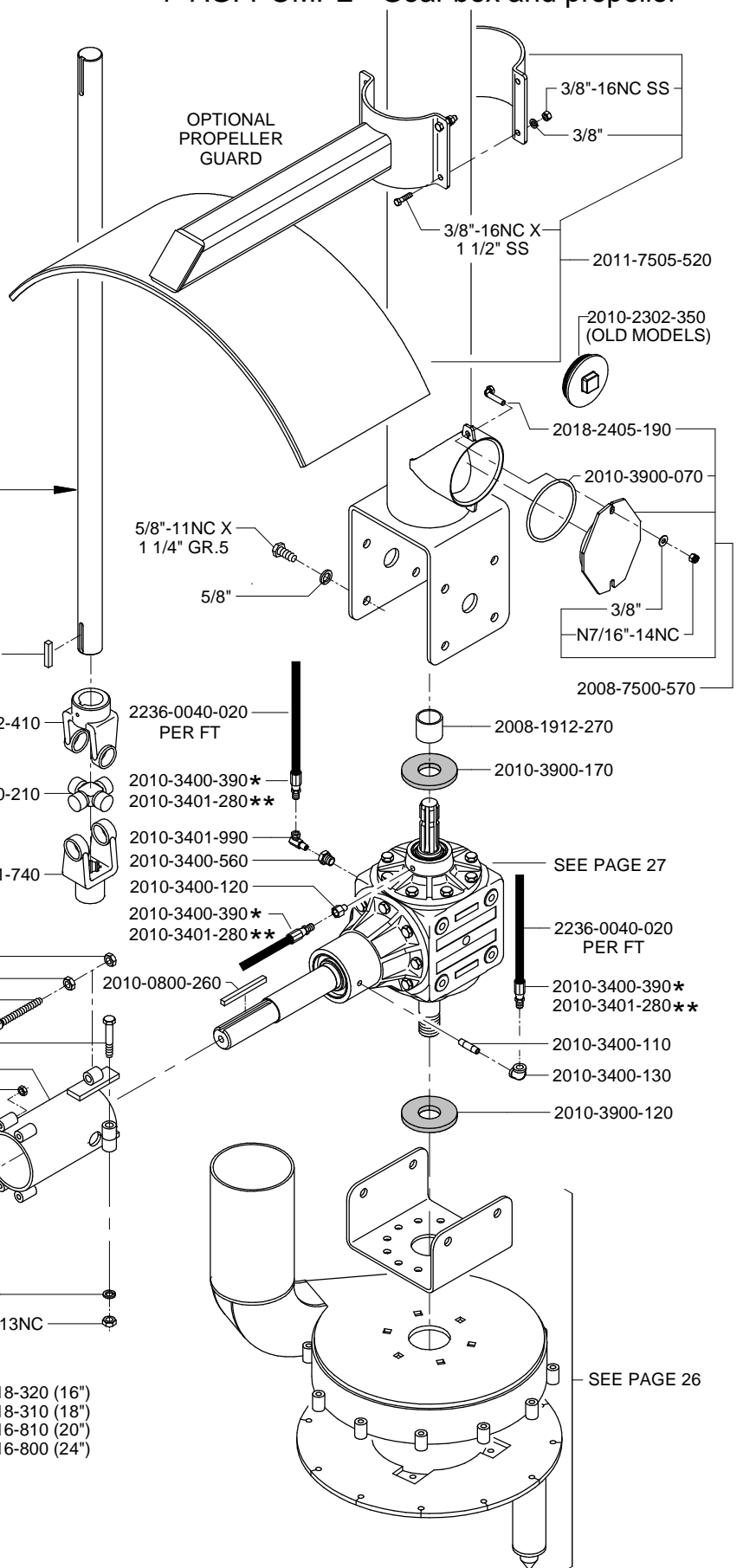
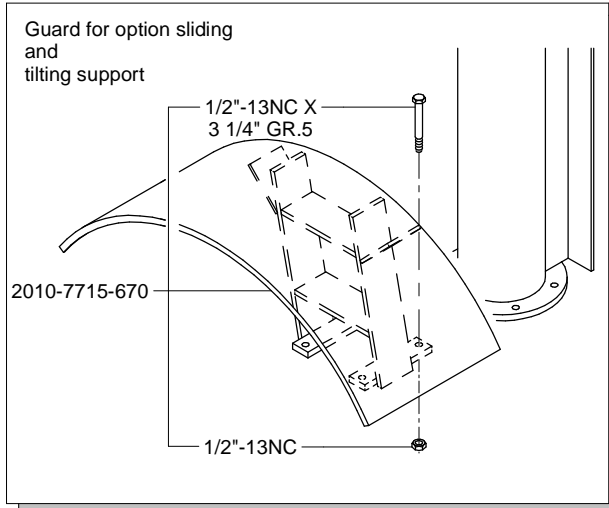
**4" AGI-POMPE - Upper section - Twin motor**



\* REUSABLE CRIMP COUPLING  
\*\* CRIMP COUPLING PRESSED ON HOSE (FACTORY MOUNTED)



## 4" AGI-POMPE - Gear box and propeller

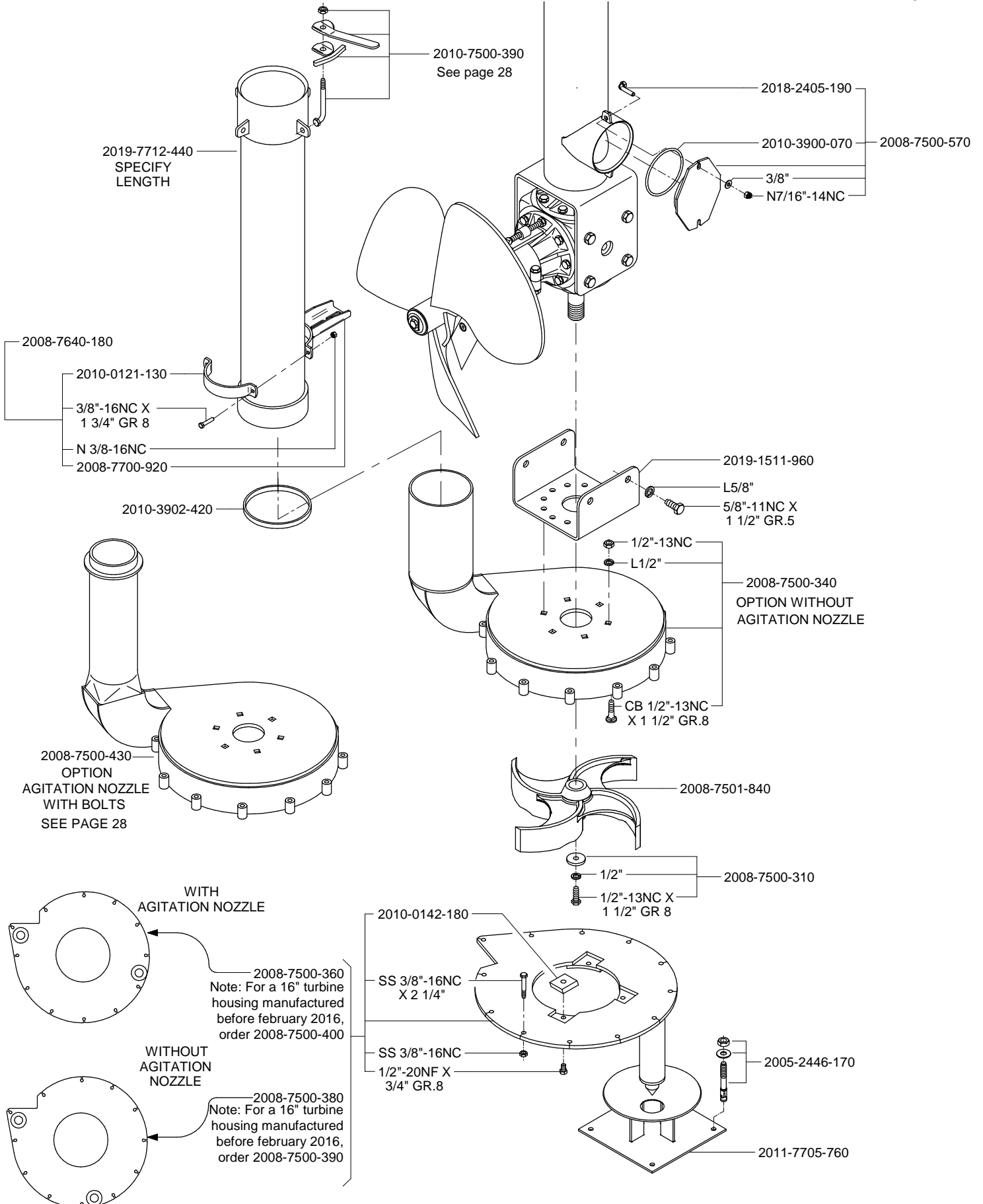


4" PUMP			
Pump Model (Pit Depth)	Drive Shaft Part Number		Qty
4'	2008-0740-620	53 3/4"	1
5'	2008-0740-630	65 3/4"	1
6'	2008-0740-640	77 3/4"	1
7'	2008-0740-650	89 3/4"	1
8'	2008-0740-660	101 3/4"	1
9'	2008-0740-670	113 3/4"	1
10'	2008-0740-770	125 3/4"	1
11'	2008-0740-680	137 3/4"	1
12'	2008-0740-750	149 3/4"	1
13'	2008-0740-690	161 3/4"	2
14'	2008-0740-790	173 3/4"	2
15'	2008-0740-700	185 3/4"	2
16'	2008-0740-760	197 3/4"	3
17'	2008-0740-710	209 3/4"	3
18'	2008-0740-800	221 3/4"	3
19'	2008-0740-720	233 3/4"	3
20'	2008-0740-810	245 3/4"	3

**REPAIR KIT**  
Since June 2019  
2008-7500-810

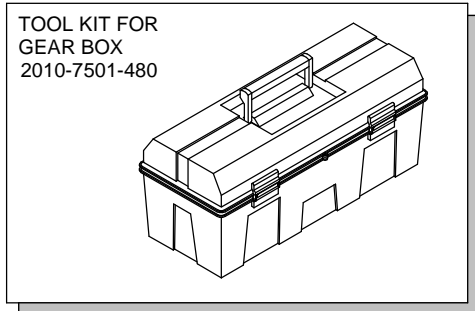
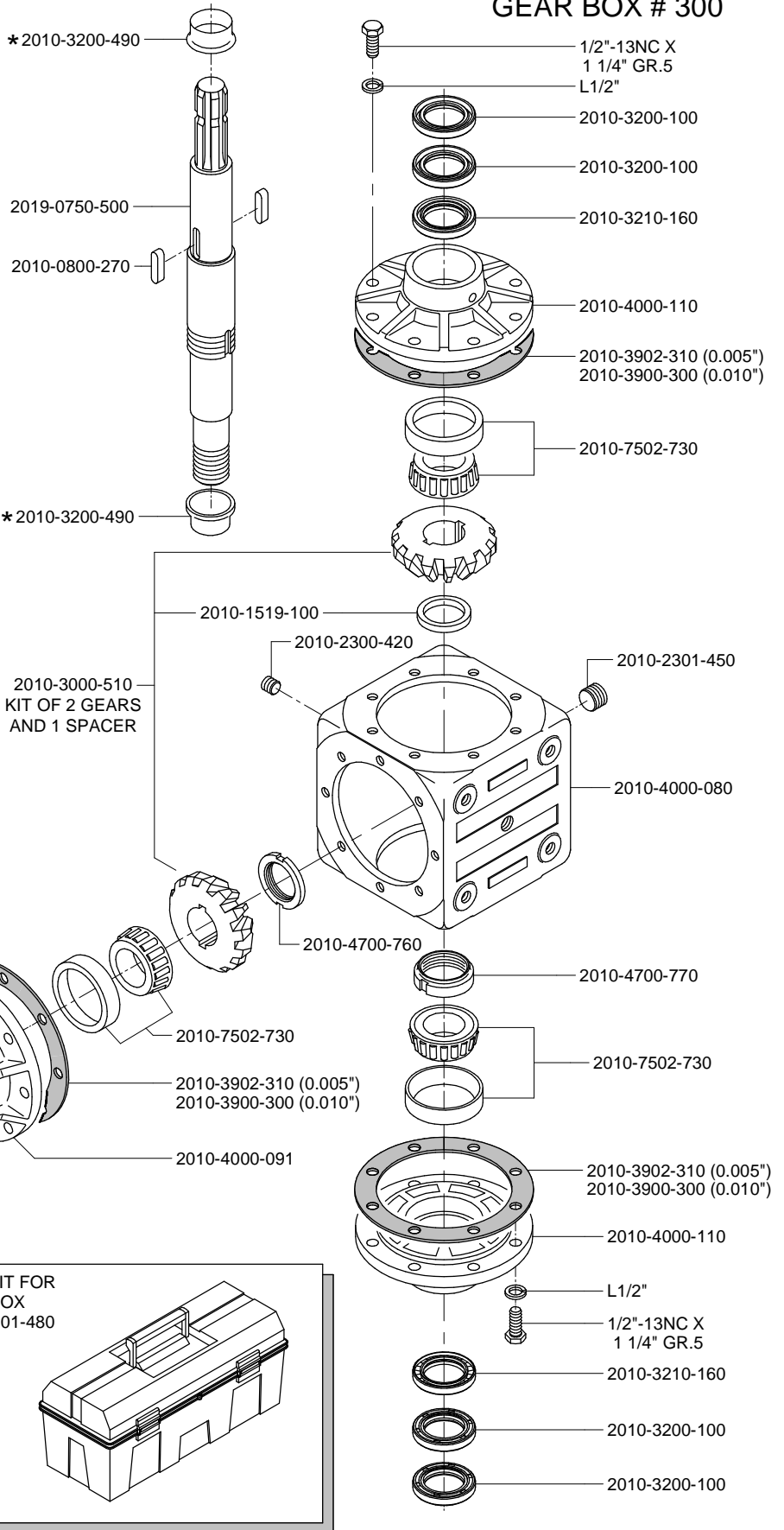
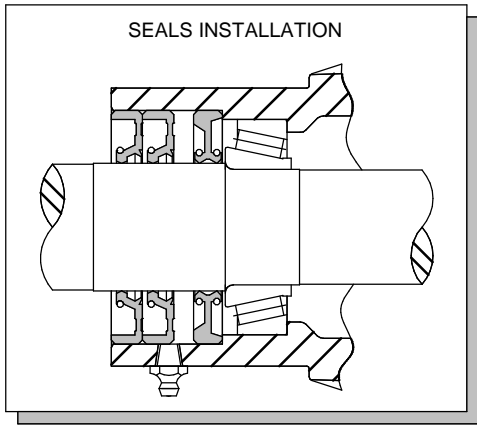
\*REUSABLE CRIMP COUPLING  
\*\*CRIMP COUPLING PRESSED ON HOSE (FACTORY MOUNTED)

**4" AGI-POMPE - Impeller and housing**



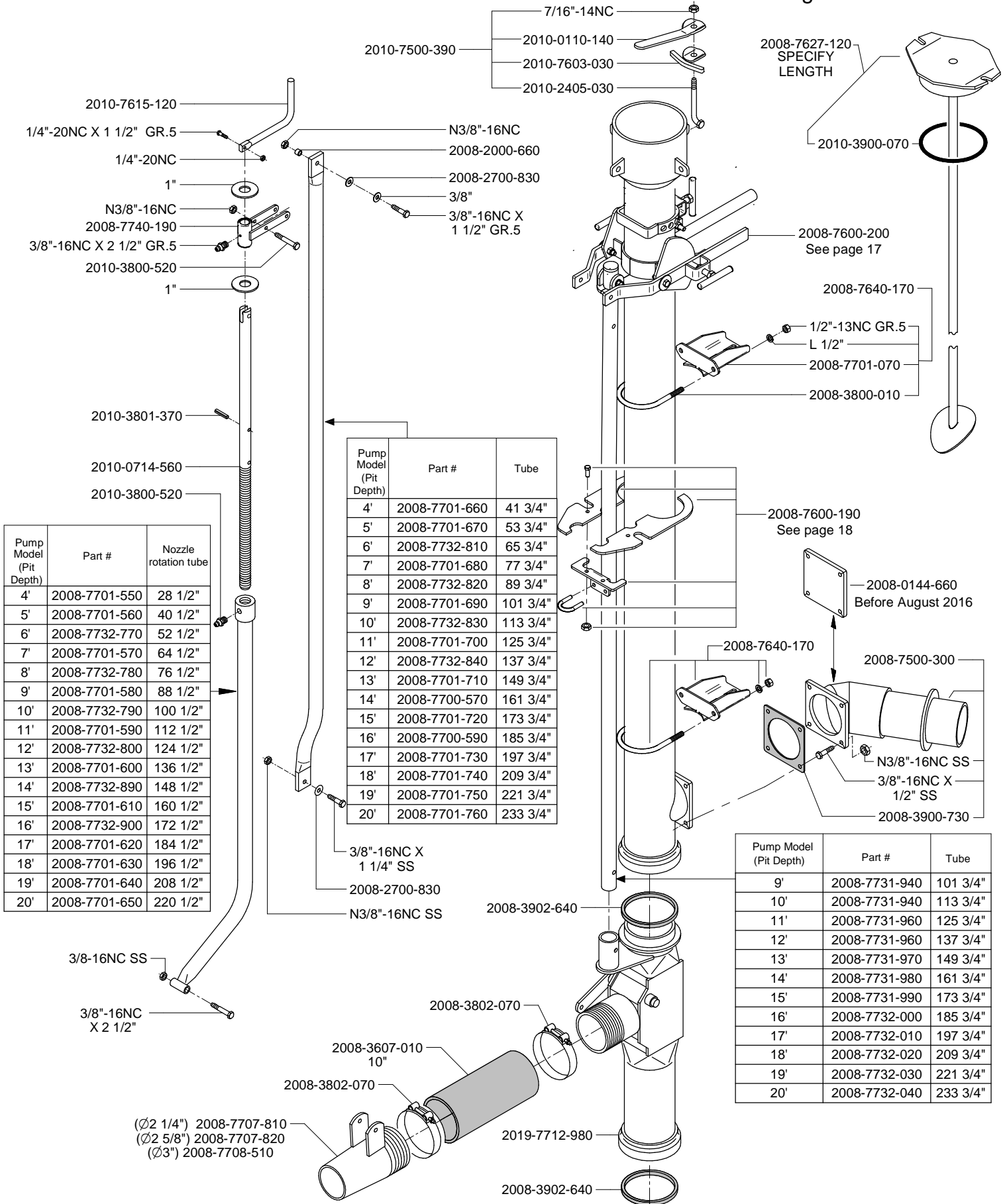
**COMPLETE GEAR BOX  
2019-2800-050**

**GEAR BOX # 300**

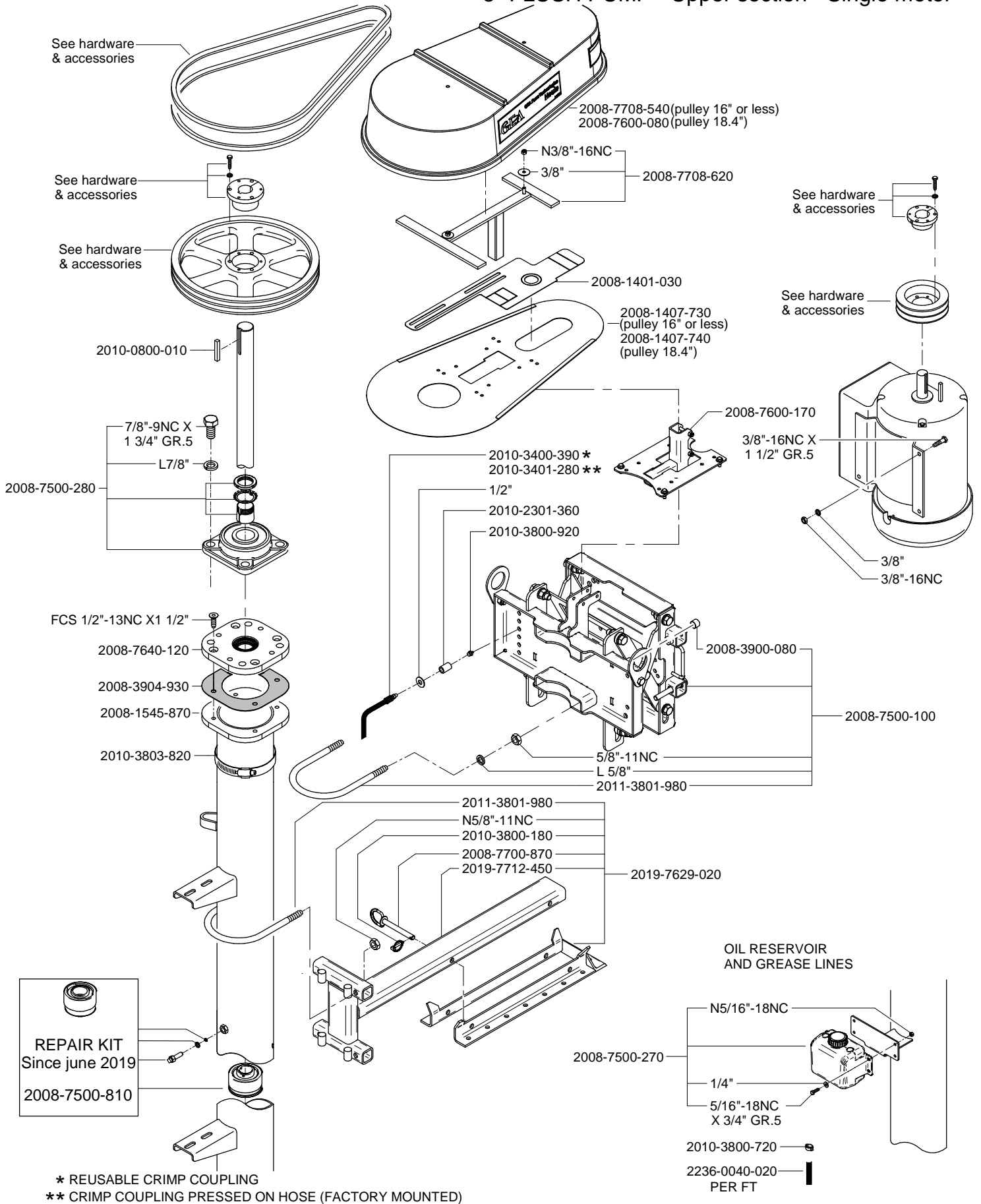


\*REPAIR SLEEVE NOT INCLUDED WITH GEAR BOX.

## 4" AGI-POMPE - Agitation nozzle

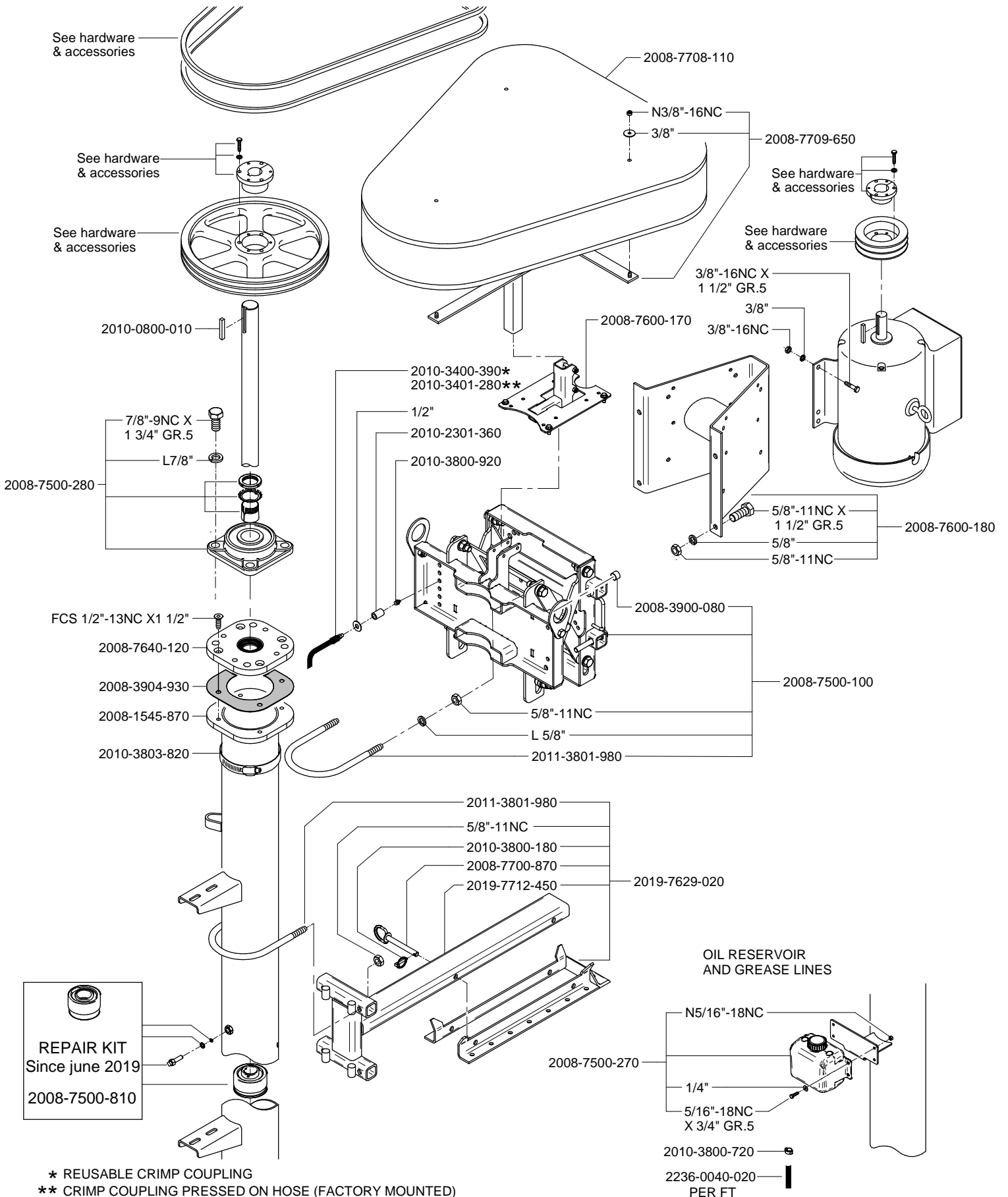


**8" FLUSH PUMP - Upper section - Single motor**

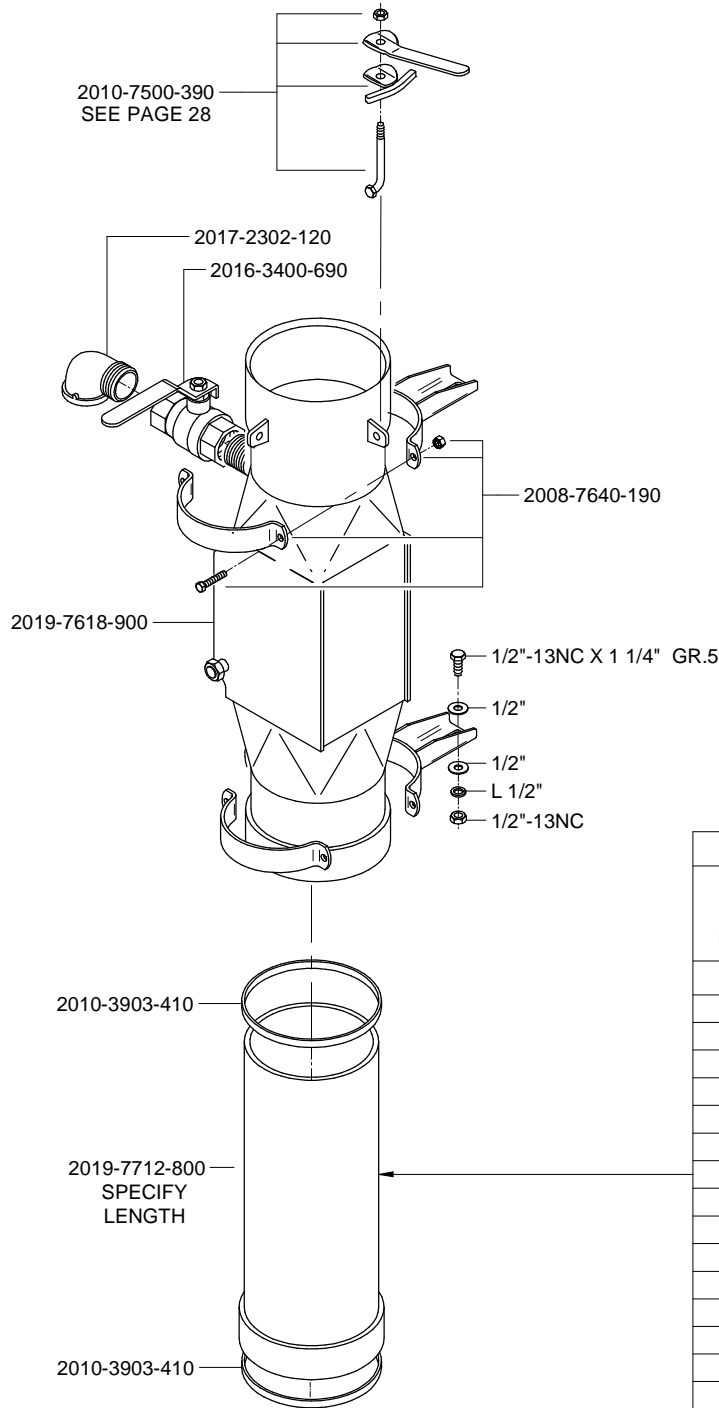


\* REUSABLE CRIMP COUPLING  
\*\* CRIMP COUPLING PRESSED ON HOSE (FACTORY MOUNTED)

**8" FLUSH PUMP - Upper section - Twin motor**



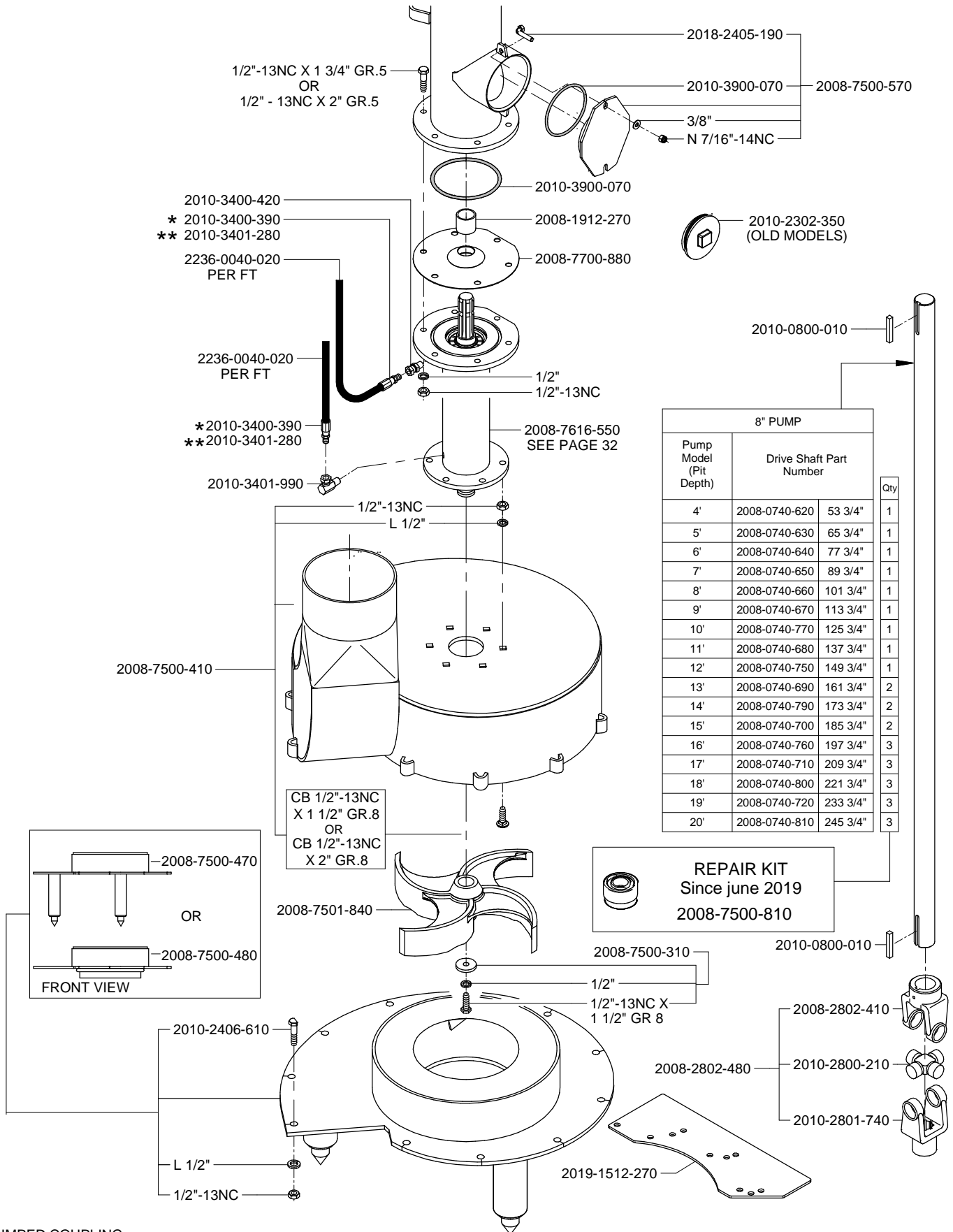
**8" FLUSH PUMP - Lower section - Twin motor**



8" PUMP			
Pump Model (Pit Depth)	DISCHARGE PIPE		Qty
6'	2008-7702-040	12"	1
7'	2008-7702-050	24"	1
8'	2008-7702-030	36"	1
9'	2008-7702-060	48"	2
10'	2008-7702-070	60"	2
11'	2008-7702-080	72"	2
12'	2008-7702-090	84"	2
13'	2008-7702-100	96"	2
14'	2008-7702-110	108"	2
15'	2008-7702-120	120"	2
16'	2008-7702-130	132"	3
17'	2008-7702-140	144"	3
18'	2008-7702-150	156"	3
19'	2008-7702-160	168"	3
20'	2008-7702-170	180"	3
21'	2008-7702-180	192"	3
22'	2008-7702-190	204"	3
23'	2008-7702-200	216"	3
24'	2008-7702-210	228"	3

**SUPPORT**  
2008-7640-190

## 8" FLUSH PUMP - Lower section - Twin motor



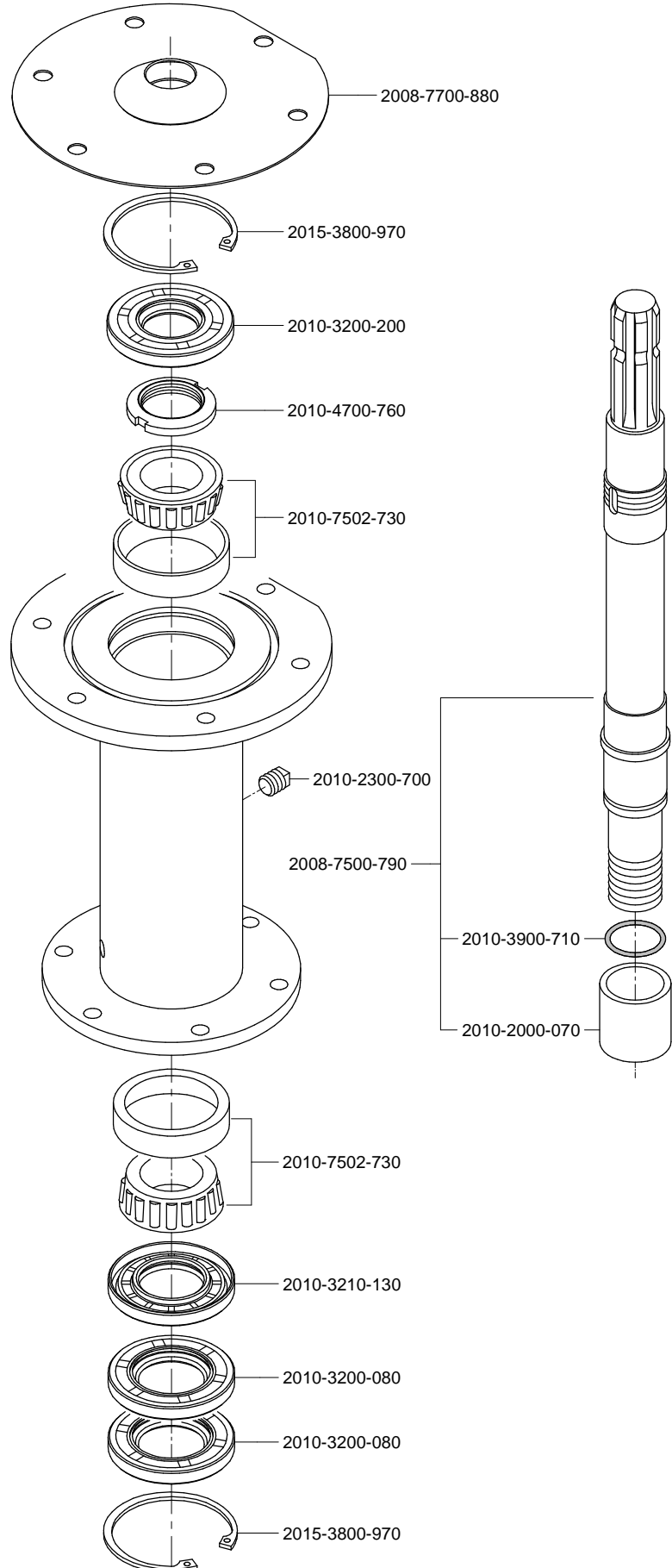
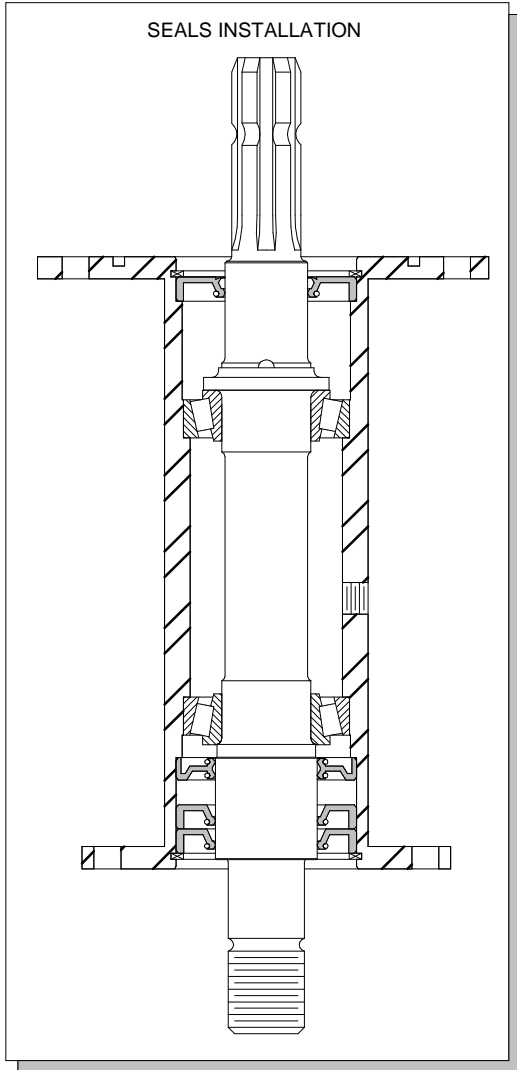
8" PUMP			
Pump Model (Pit Depth)	Drive Shaft Part Number		Qty
4'	2008-0740-620	53 3/4"	1
5'	2008-0740-630	65 3/4"	1
6'	2008-0740-640	77 3/4"	1
7'	2008-0740-650	89 3/4"	1
8'	2008-0740-660	101 3/4"	1
9'	2008-0740-670	113 3/4"	1
10'	2008-0740-770	125 3/4"	1
11'	2008-0740-680	137 3/4"	1
12'	2008-0740-750	149 3/4"	1
13'	2008-0740-690	161 3/4"	2
14'	2008-0740-790	173 3/4"	2
15'	2008-0740-700	185 3/4"	2
16'	2008-0740-760	197 3/4"	3
17'	2008-0740-710	209 3/4"	3
18'	2008-0740-800	221 3/4"	3
19'	2008-0740-720	233 3/4"	3
20'	2008-0740-810	245 3/4"	3

**REPAIR KIT**  
 Since June 2019  
 2008-7500-810

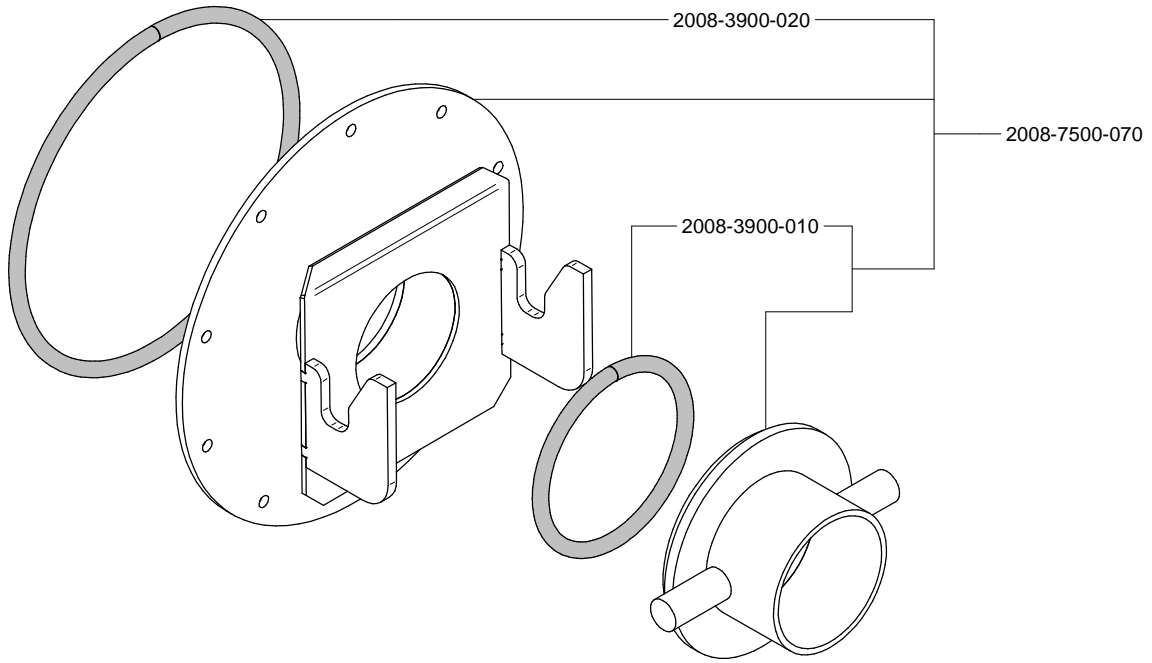
\*CRIMPED COUPLING  
 \*\*CRIMPED COUPLING PRESSED ON HOSE (FACTORY MOUNTED)



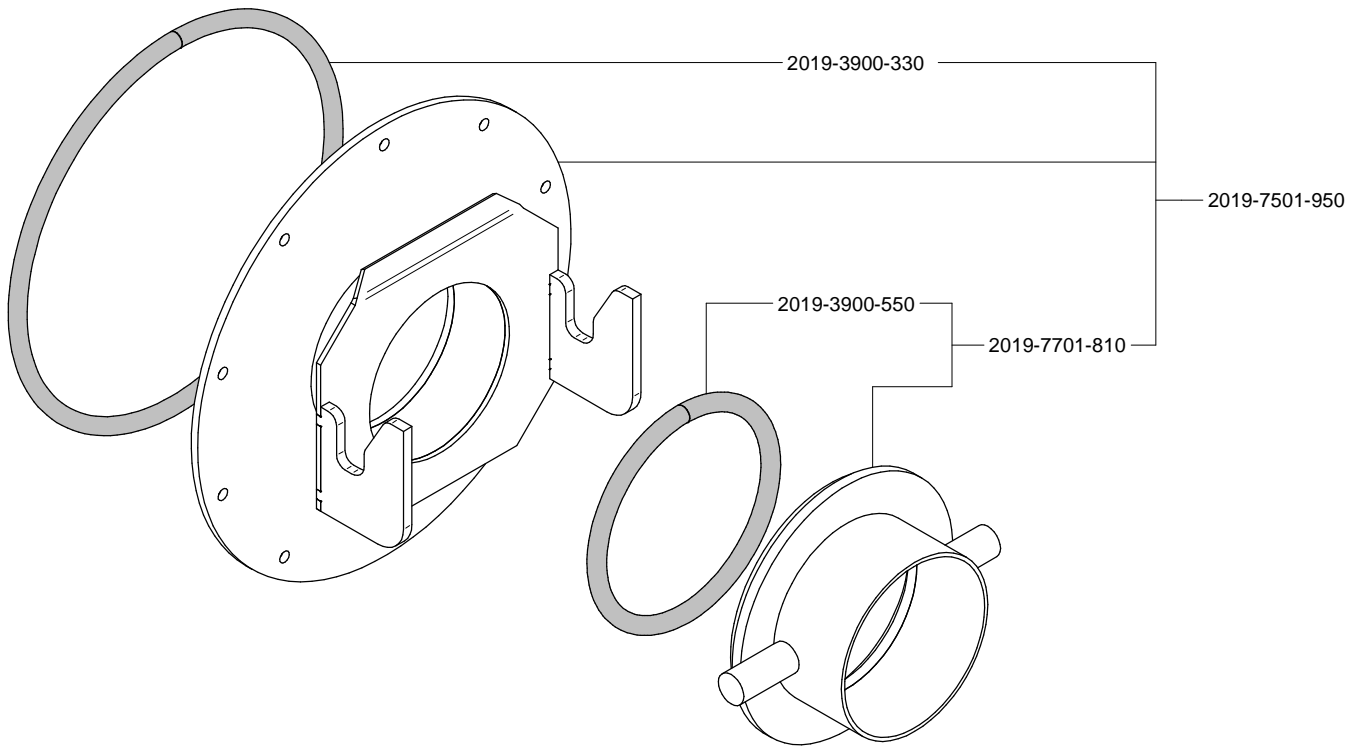
COMPLETE BEARING HOUSING  
2008-7616-550



6"



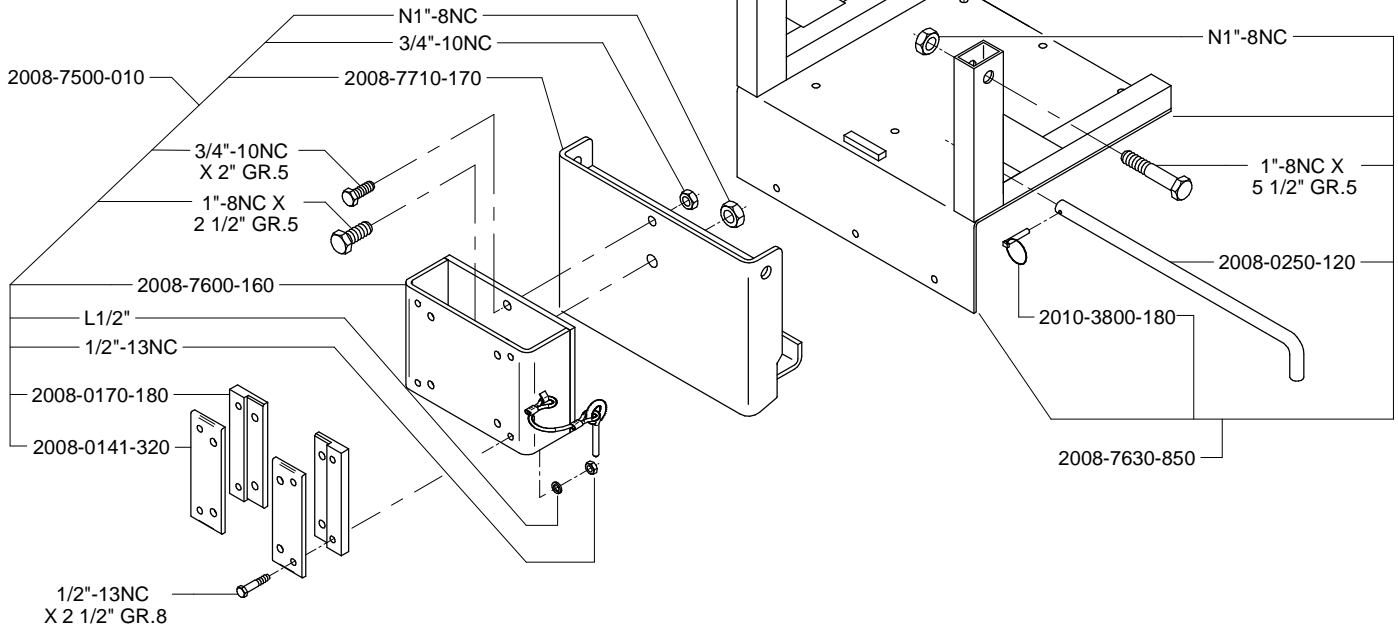
8"



**COMPLETE SLIDING AND TILTING PUMP SUPPORT**

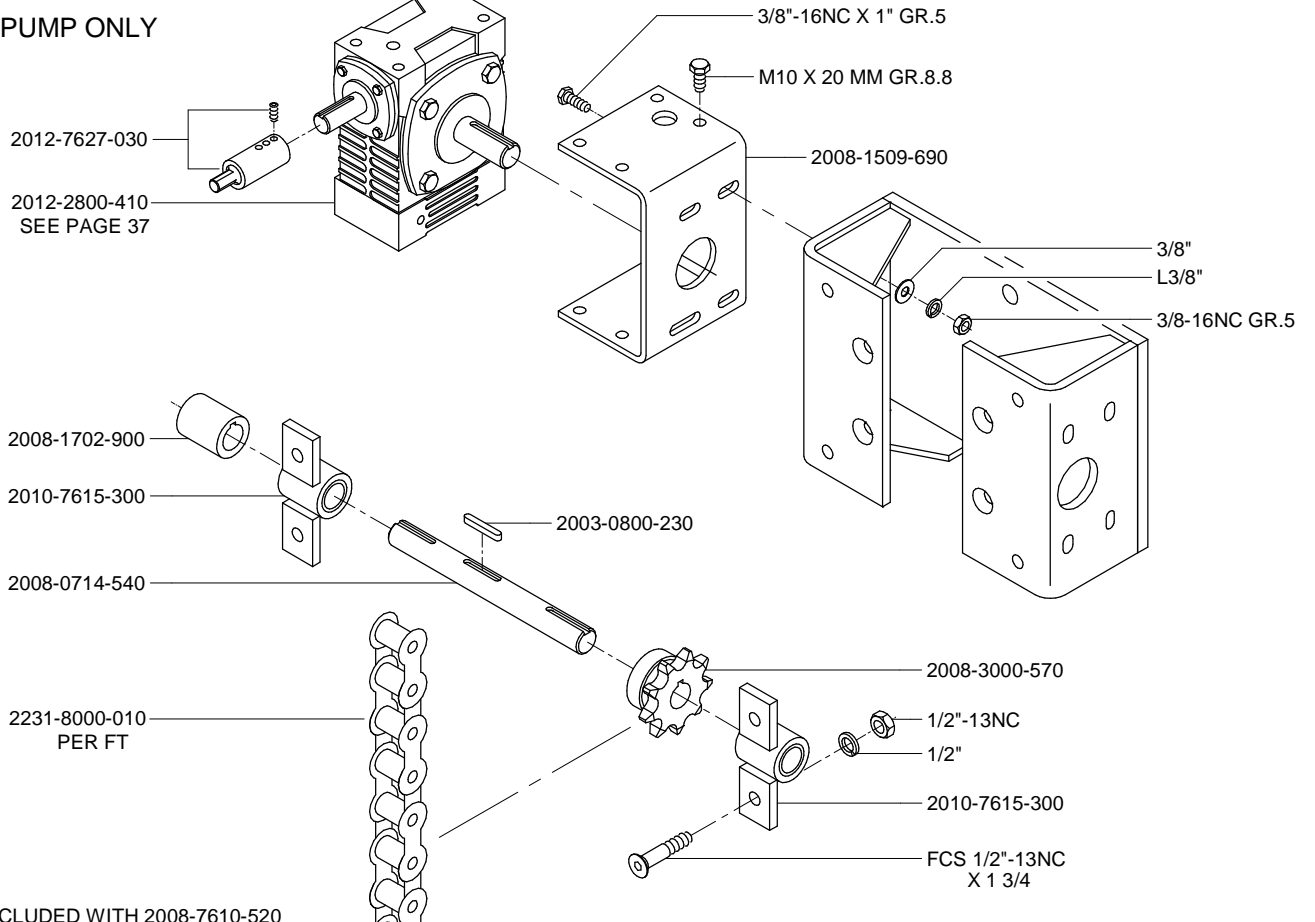
2008-7610-520

FOR 4" PUMP AND AGI-POMPE ONLY



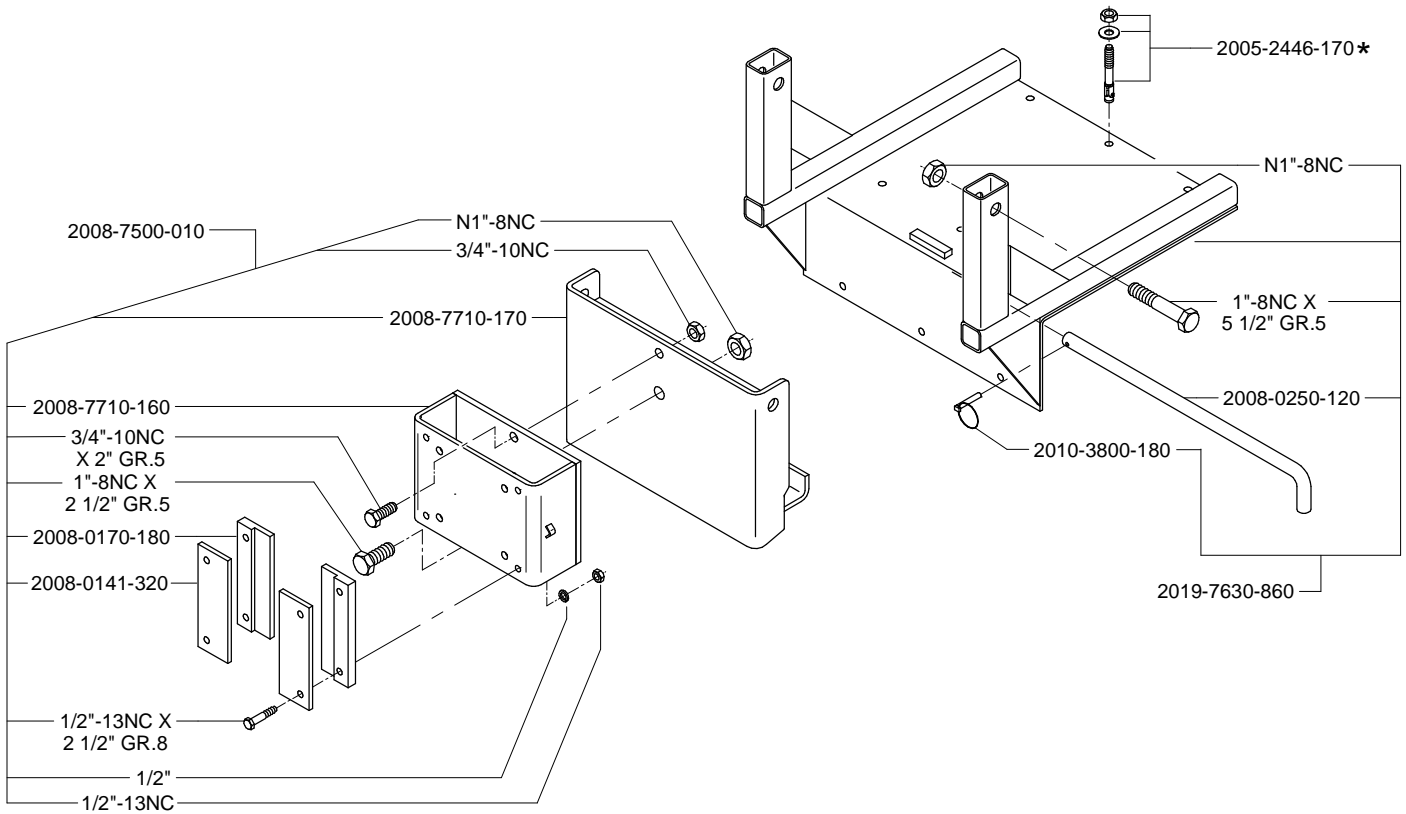
**OPTION WINCH ON SUPPORT**

FOR 4" PUMP ONLY



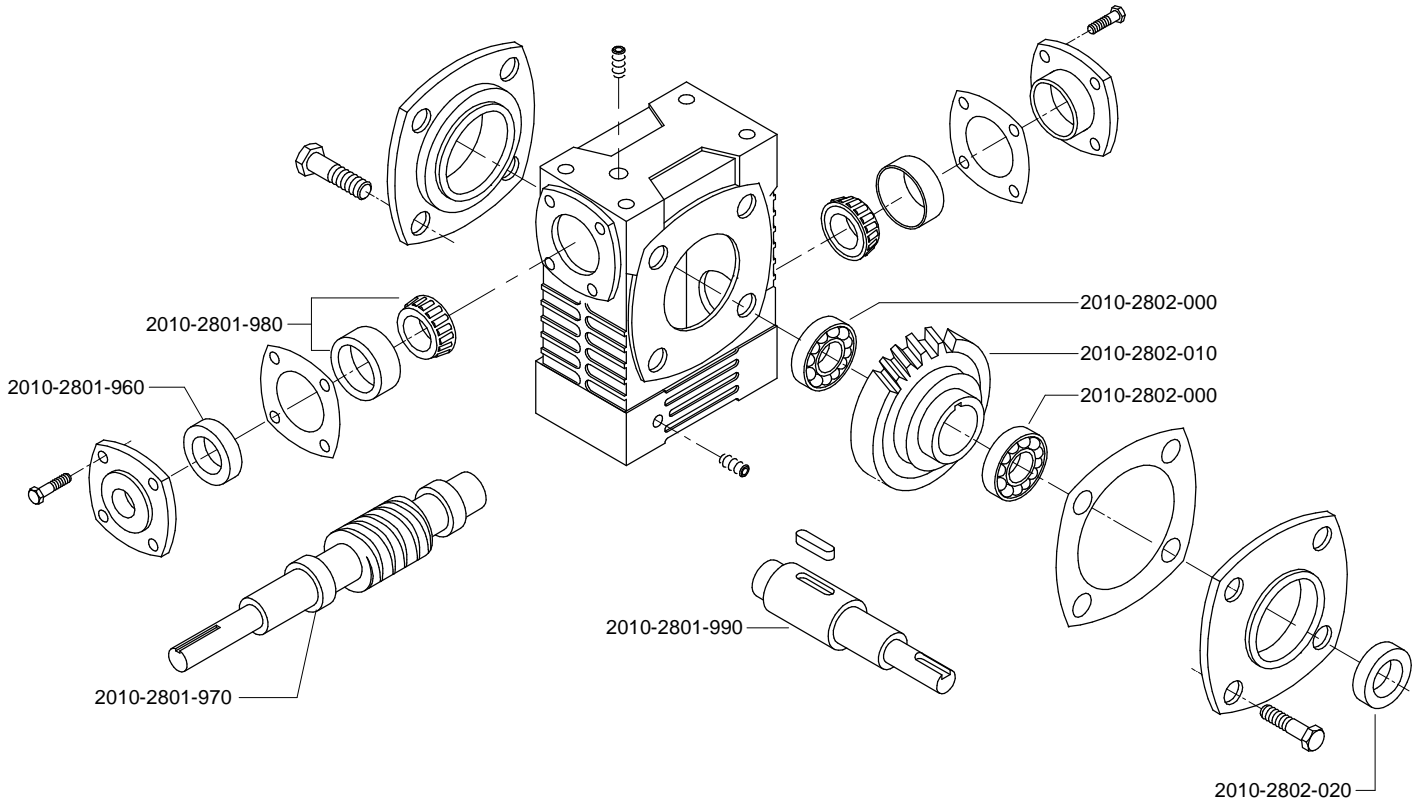
\* NOT INCLUDED WITH 2008-7610-520

COMPLETE SLIDING AND TILTING PUMP SUPPORT  
 2019-7623-070  
 FOR 4" HIGH PRESSURE PUMP AND 8" FLUSH PUMP ONLY

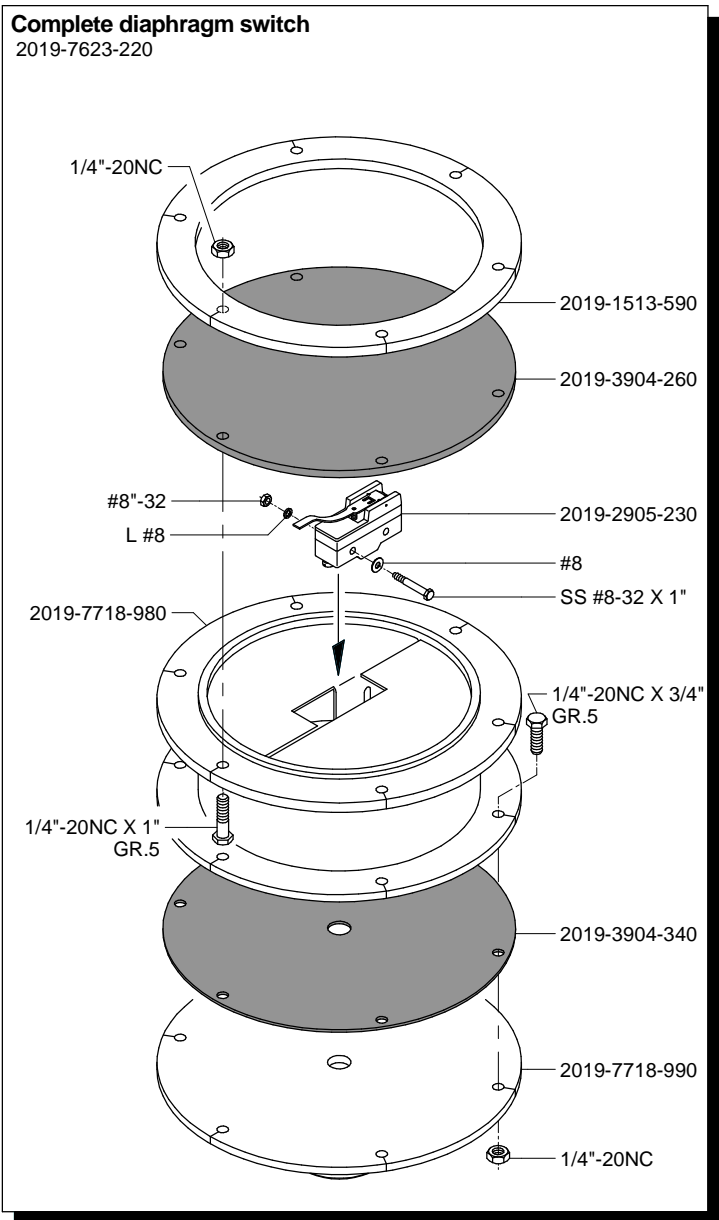
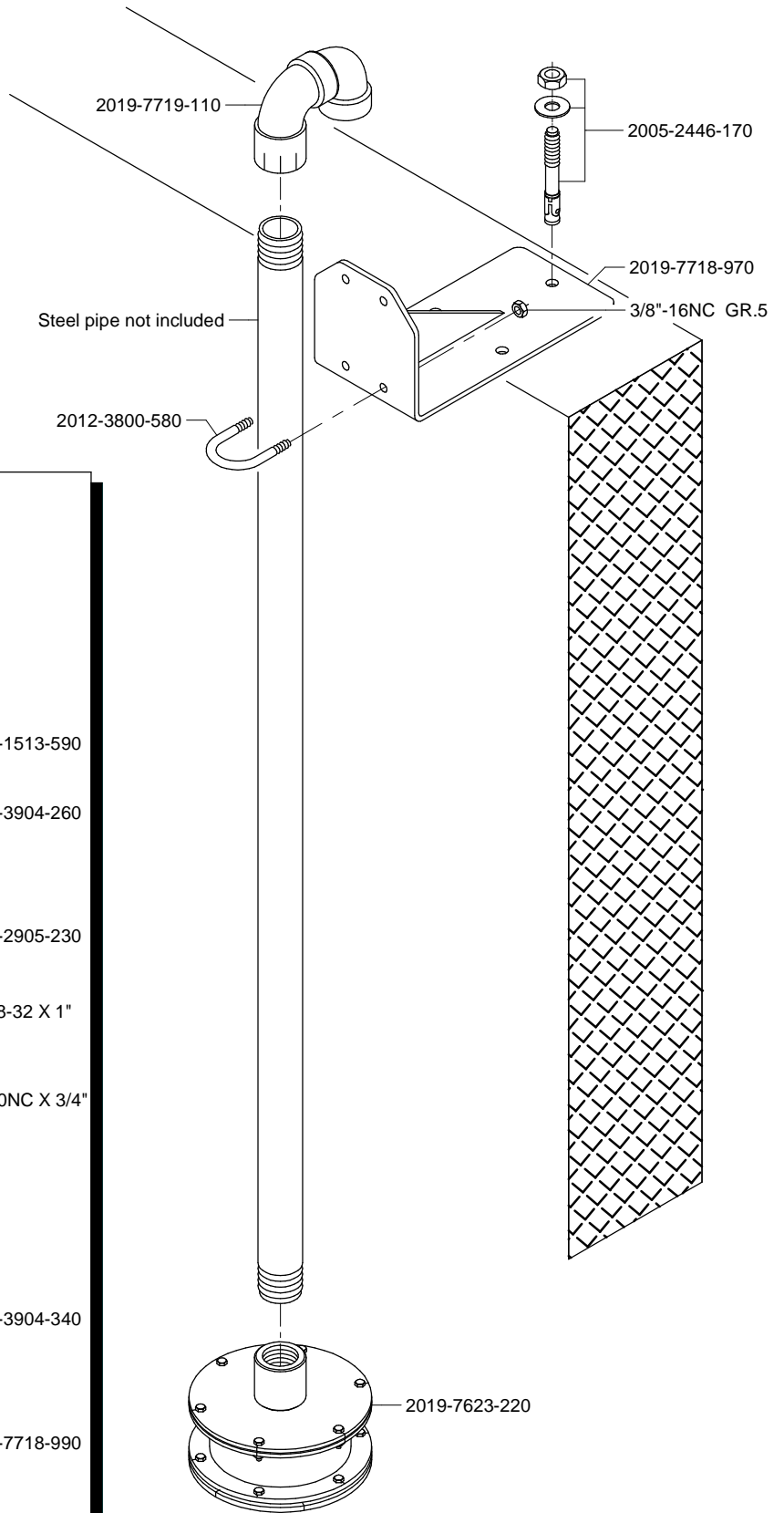


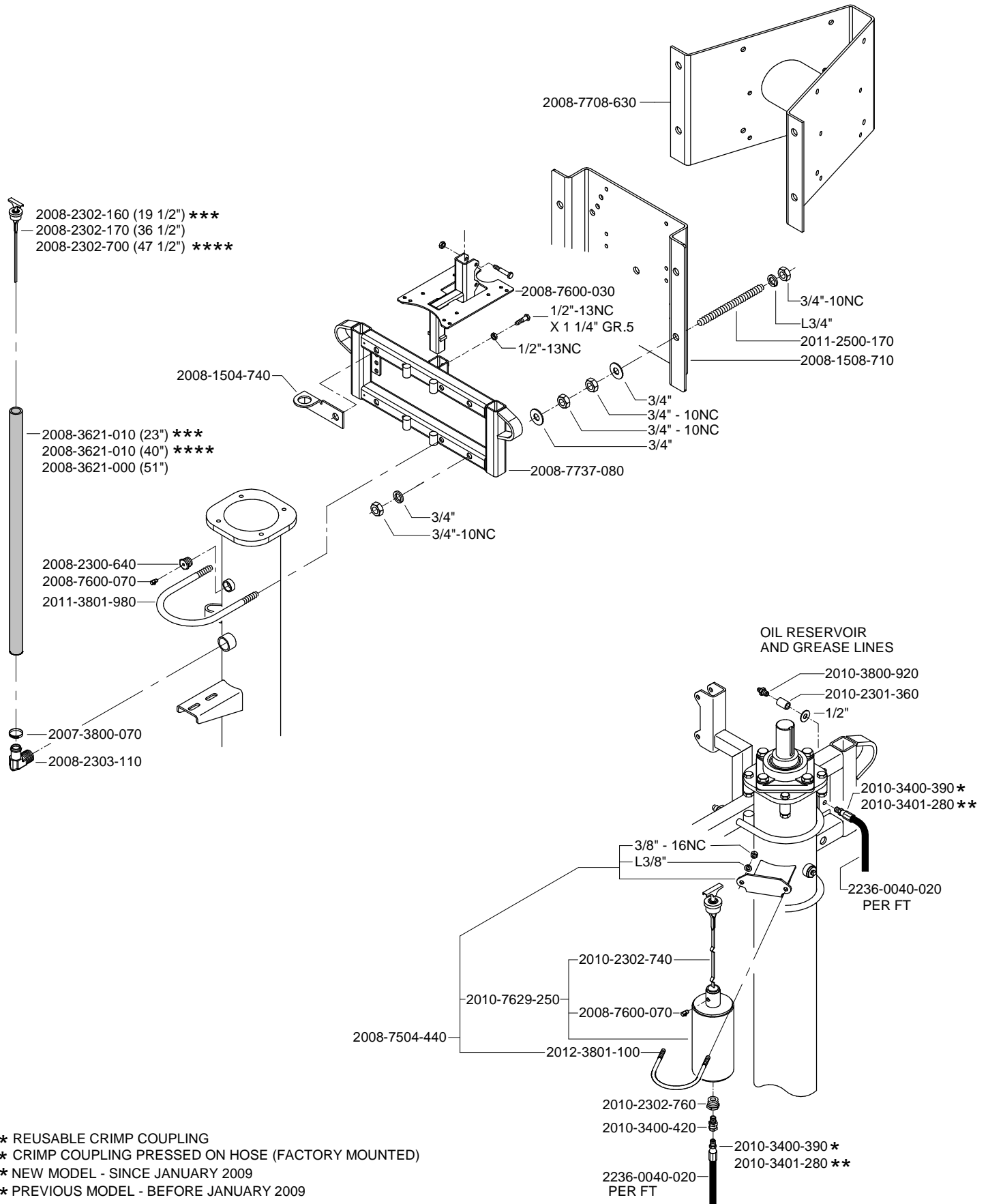
\* NOT INCLUDED WITH 2019-7623-070

COMPLETE SPEED REDUCER  
 MODEL BH60 LEFT  
 RATIO 60/1  
 2012-2800-410



**Repair kit**





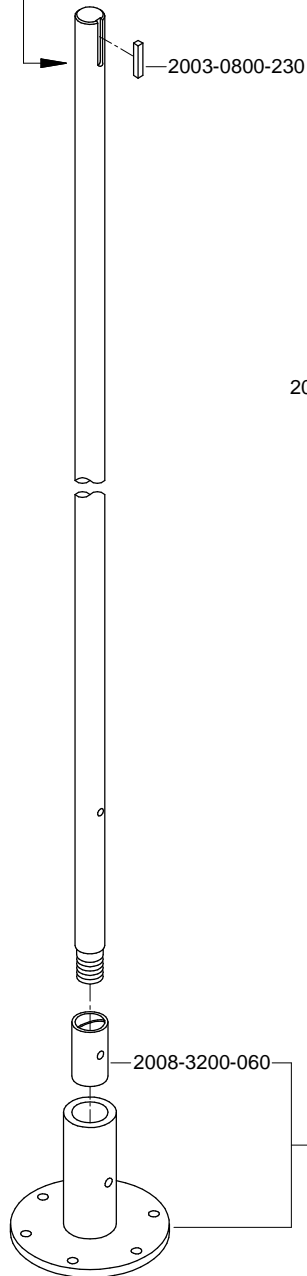
\* REUSABLE CRIMP COUPLING

\*\* CRIMP COUPLING PRESSED ON HOSE (FACTORY MOUNTED)

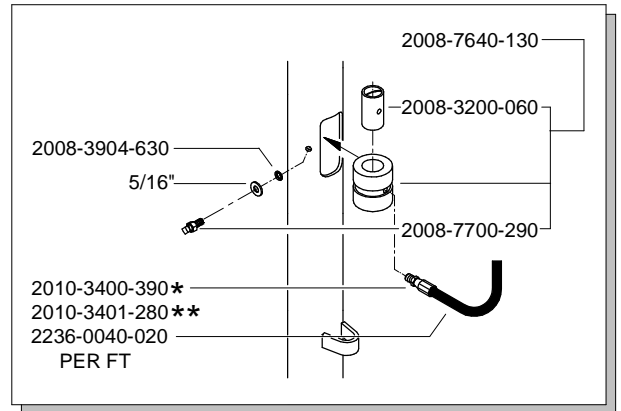
\*\*\* NEW MODEL - SINCE JANUARY 2009

\*\*\*\* PREVIOUS MODEL - BEFORE JANUARY 2009

3" PUMP		
Pump Model (Pit Depth)	Drive Shaft Part Number	Length
6'	2008-0715-460	69 1/16"
8'	2008-0715-480	93 1/16"
10'	2008-0715-470	117 1/16"
12'	2008-0715-490	141 1/16"



2008-7500-170  
See page 4



2008-7614-350 (3 HP)  
2008-7614-360 (5 HP)

2008-7614-370 (7.5 HP - 10 HP)

2008-7500-160  
See page 4

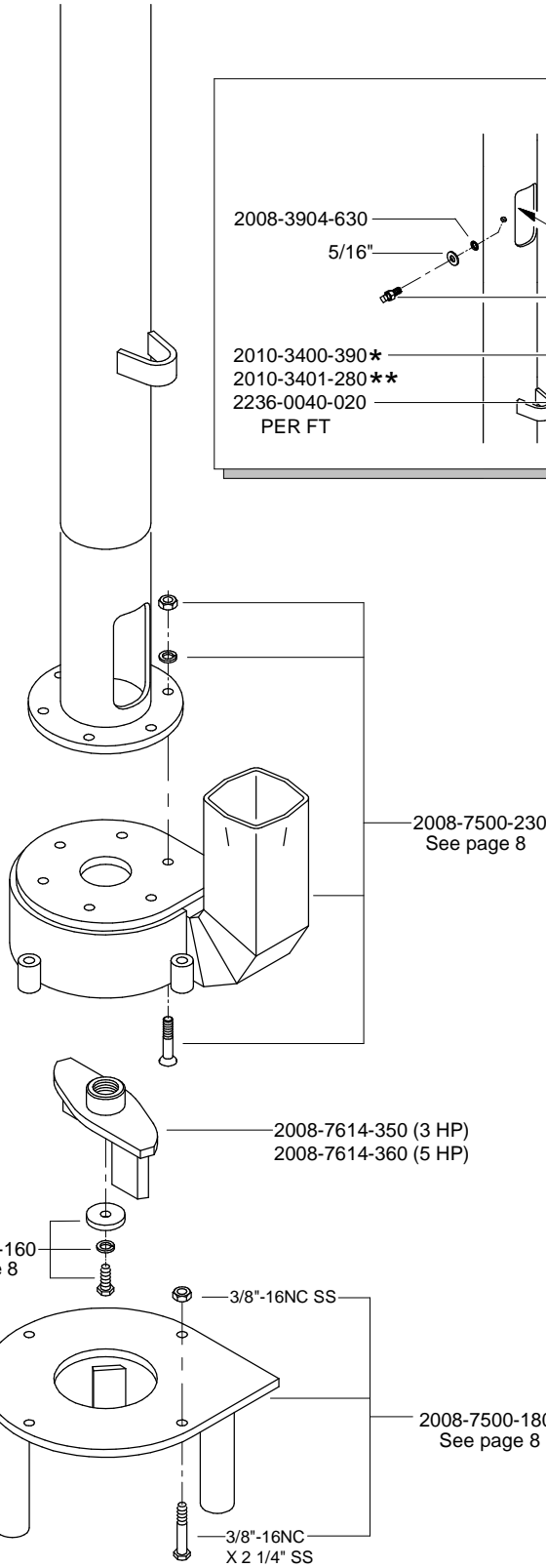
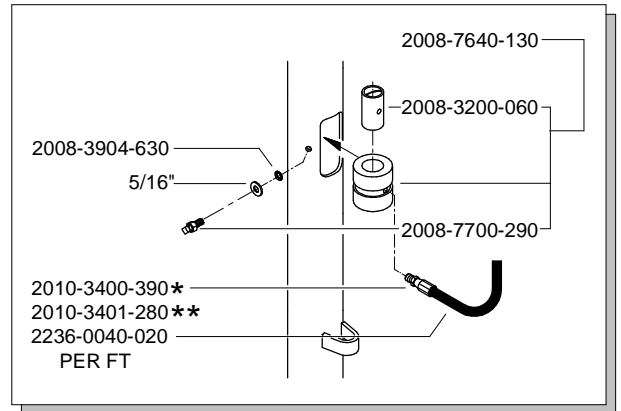
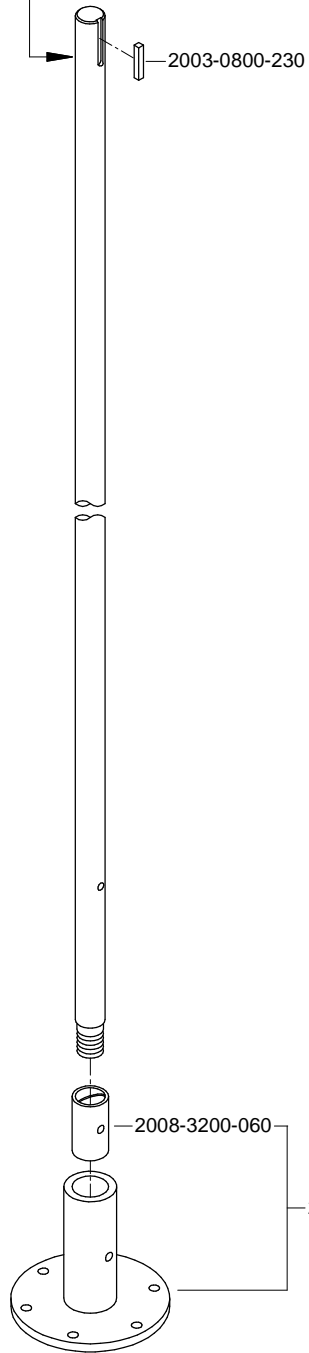
2008-7500-180  
See page 4

\*SCREW-ON COUPLING  
\*\*CRIMPED COUPLING (FACTORY MOUNTED)



**3" COMPACT PUMP BEFORE 2018- Oilite bushing**

3" PUMP		
Pump Model (Pit Depth)	Drive Shaft Part Number	Length
6'	2008-0715-460	69 1/16"
8'	2008-0715-480	93 1/16"
10'	2008-0715-470	117 1/16"
12'	2008-0715-490	141 1/16"



\* REUSABLE CRIMP COUPLING  
 \*\* CRIMP COUPLING PRESSED ON HOSE (FACTORY MOUNTED)