

Table of contents.....01

6" x 25ft. pipe on tripod..... 02

6" x 20ft. pipe on tripod..... 03

8" x 25ft. pipe on tripod..... 04

8" x 20ft. pipe on tripod..... 05

8" - 10" x 30" ft. pipe on wheels..... 06

Wheel and hub.....07

6" x 25ft. pipe on tractor before July, 2015.....08

8" x 25ft. pipe on tractor before July, 2015.....09

Adaptor for loading pipe..... 10-11

Articulated loading pipe - articulated 6"..... 12

Articulated loading pipe - hydraulic motor for articulation..... 13

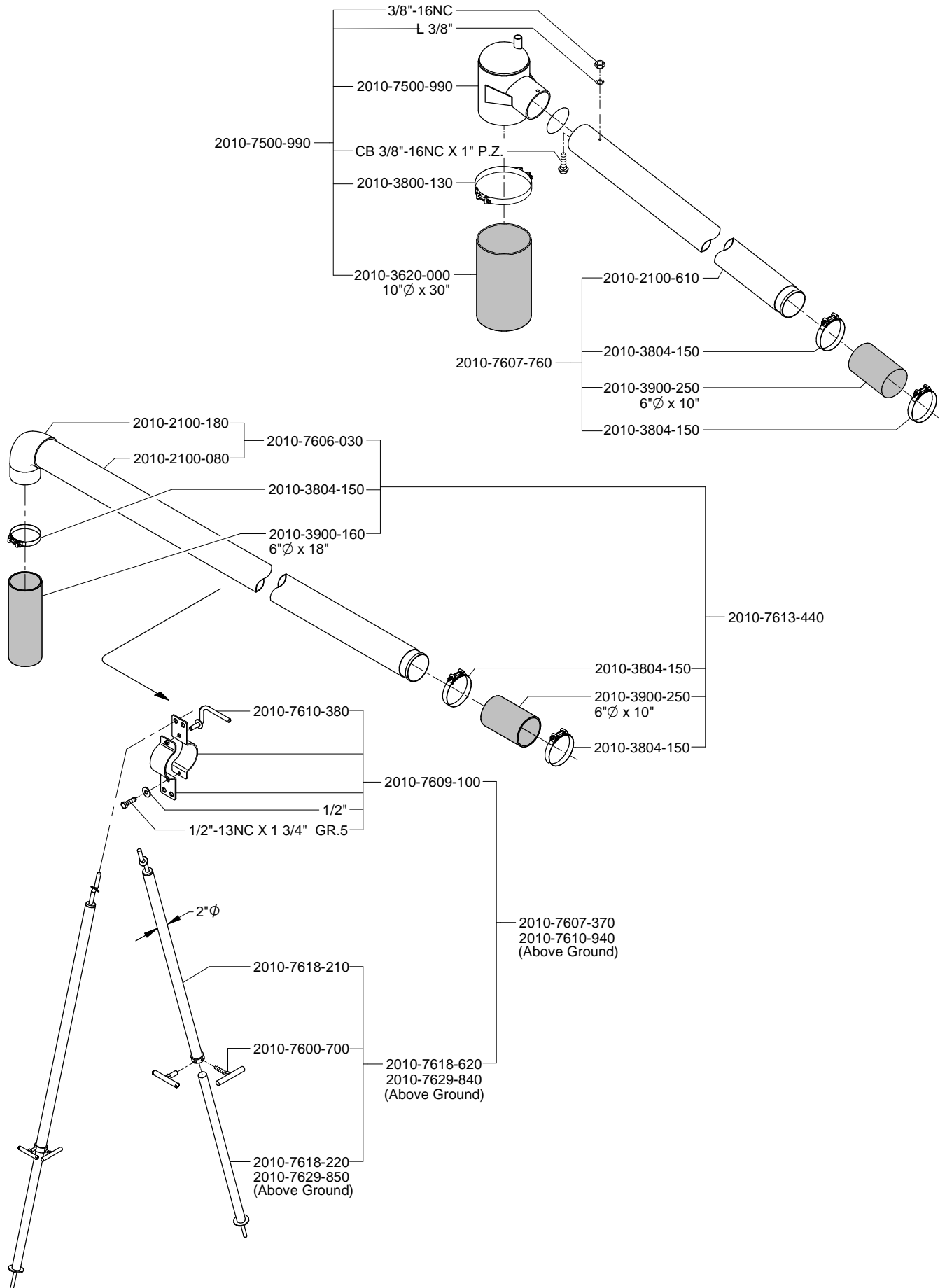
Articulated loading pipe - parts for articulated pumps..... 14

Articulated loading pipe - parts for lagoon pumps..... 15

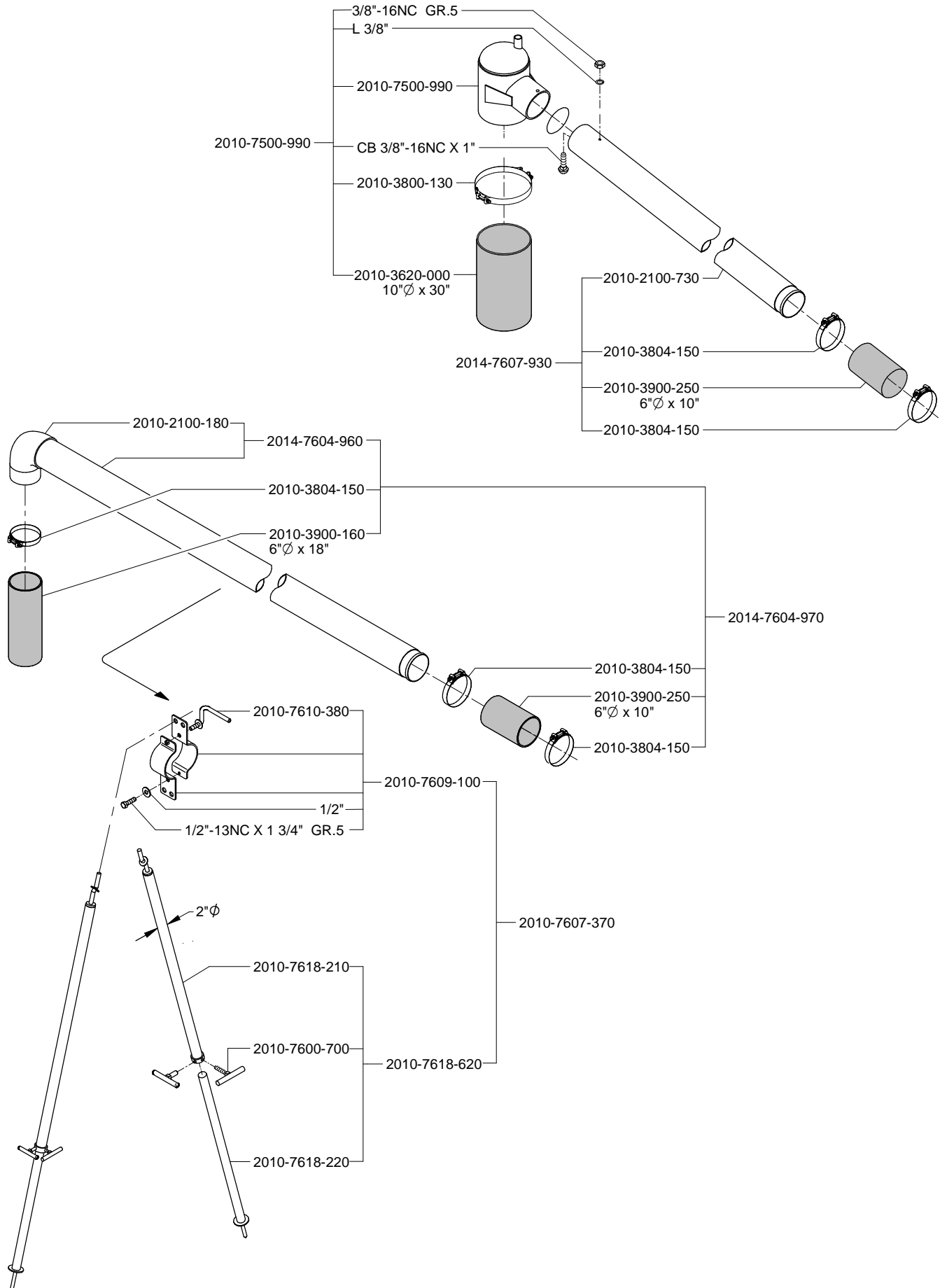
Articulated loading pipe - auxiliary pipe and loading pipe..... 16

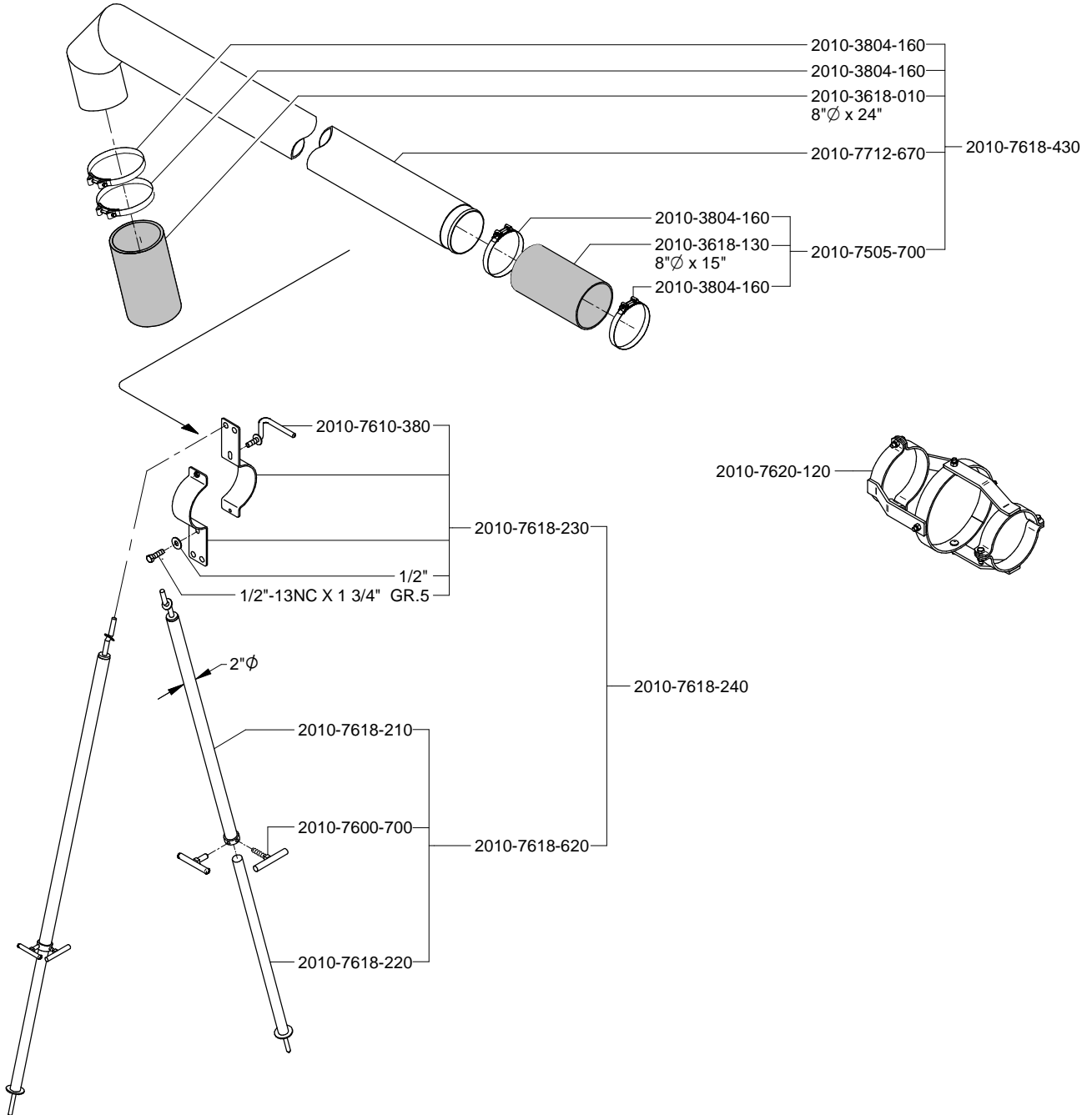
Hardware Identification	
Type	Designation
Hexagonal bolt	-
Carriage bolt	CB
Square head bolt	SB
Socket head cap screw	SCS
Socket head set screw	SSS
Flat head cap screw	FCS
Hexagon nut	-
Hexagon nylon lock nut	N
Hexagon oval lock nut	OVL
Hexagon tri-lock nut	TRI
Castle nut	CSL
Flange nut	FLN
Wing nut	WNG
Flat washer	-
Lock washer	L
SAE washer	SAE
Large ext. dia. washer	LD
Small ext. dia. washer	SD
Stainless steel bolts parts	SS

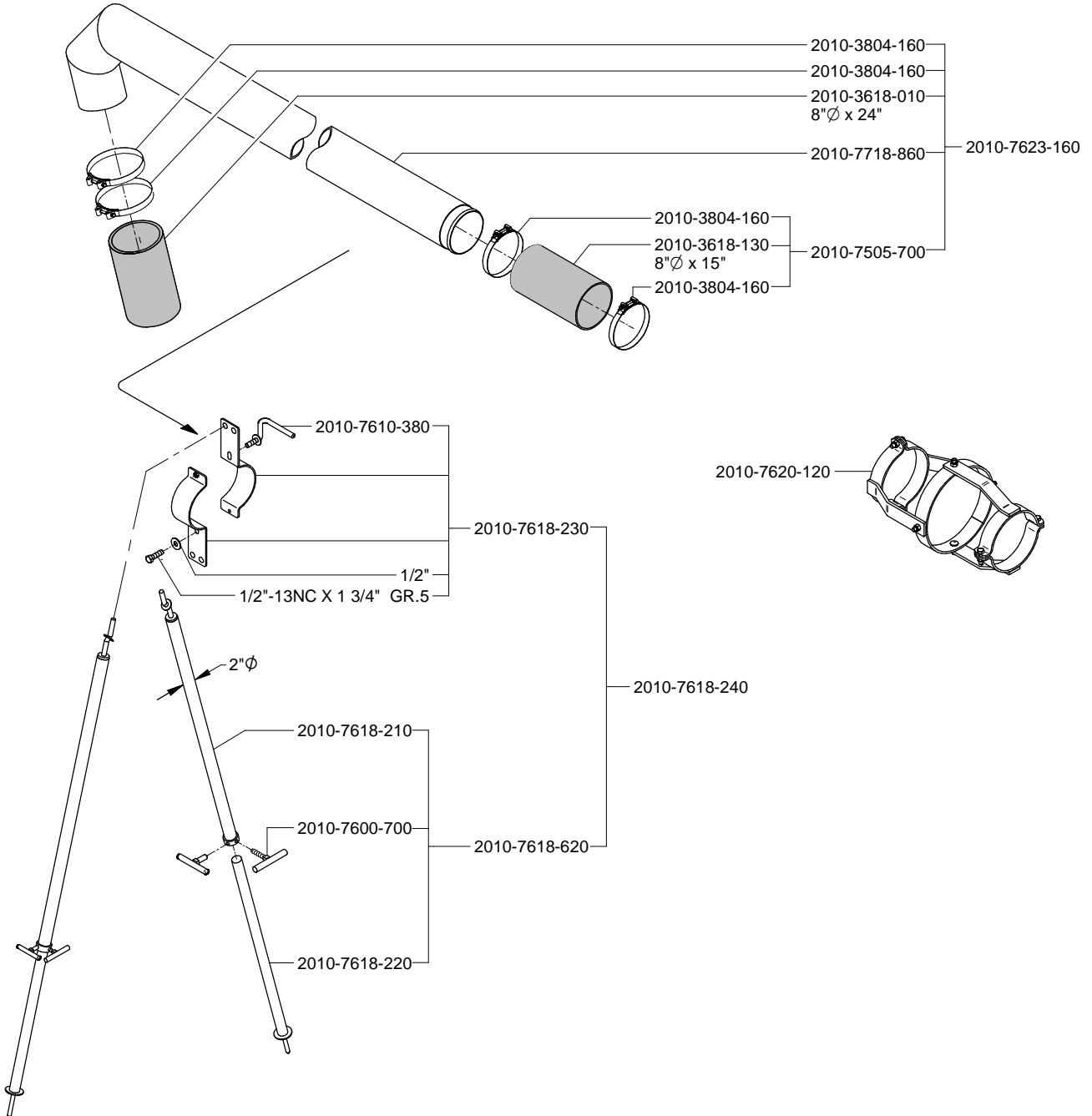
6" X 25 FT. PIPE ON TRIPOD

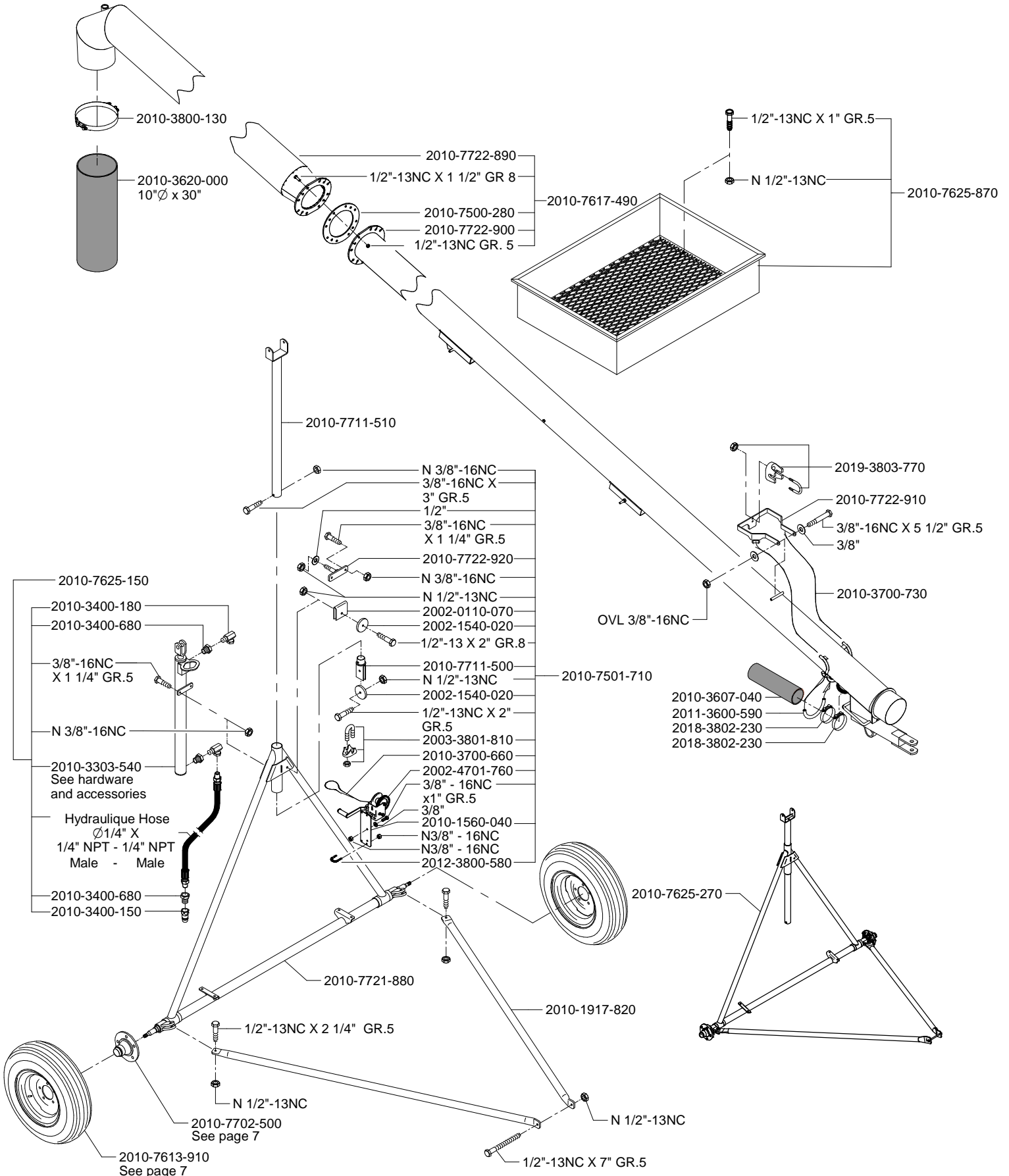


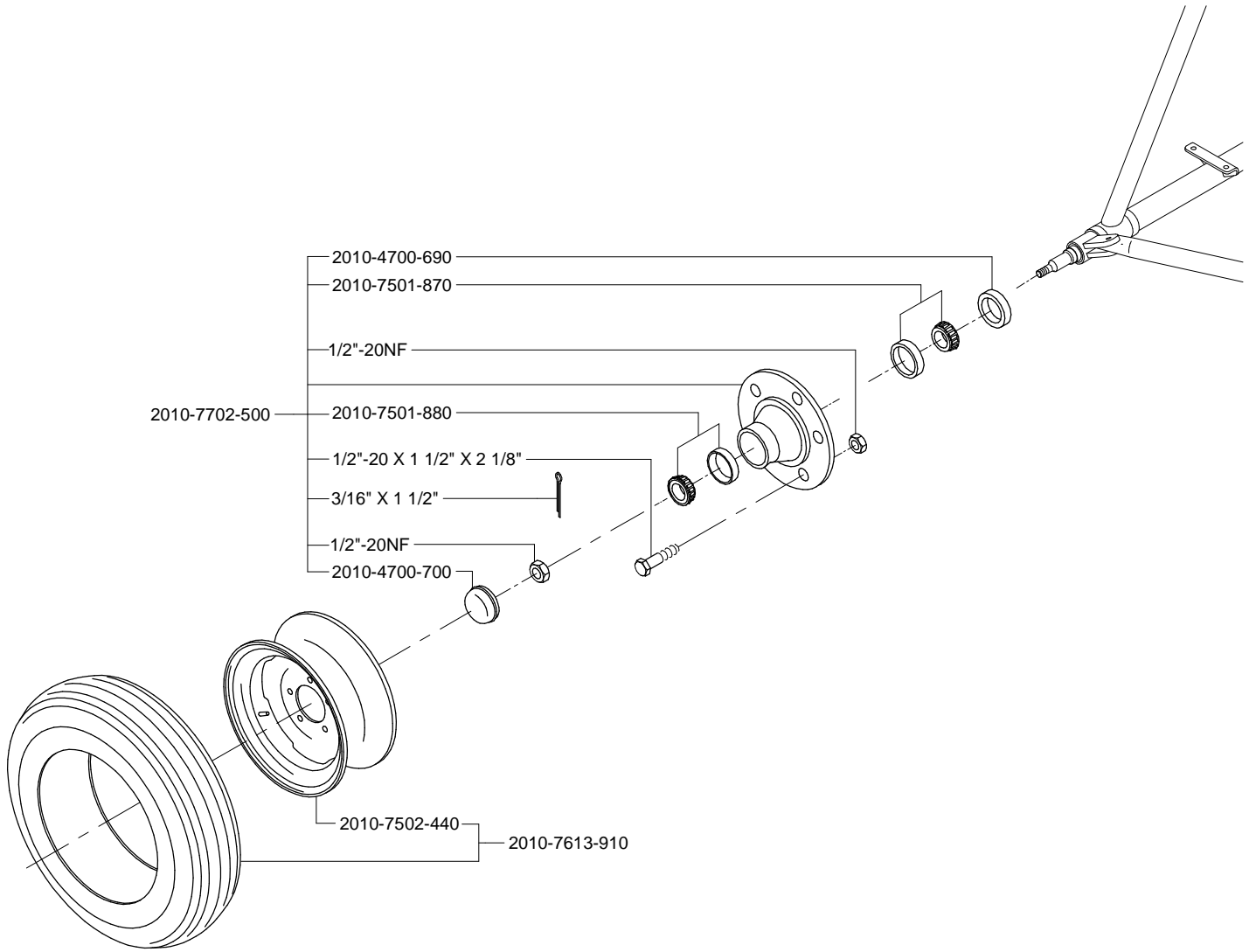
6" X 20 FT. PIPE ON TRIPOD



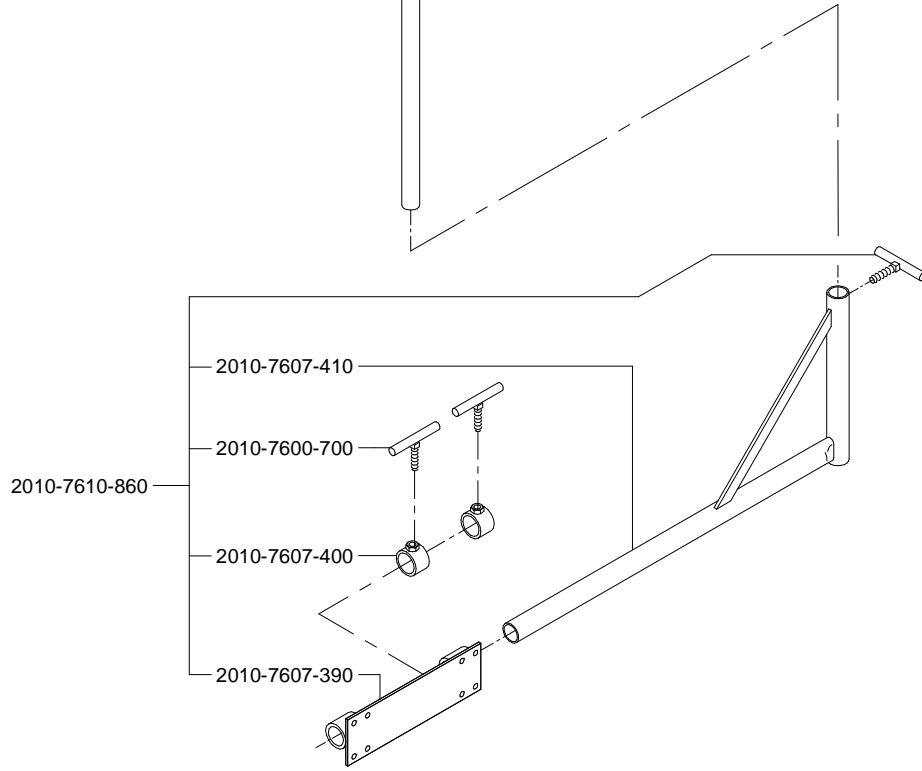
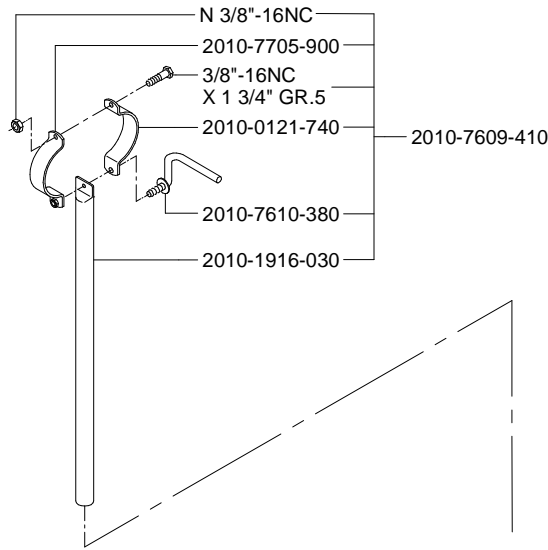
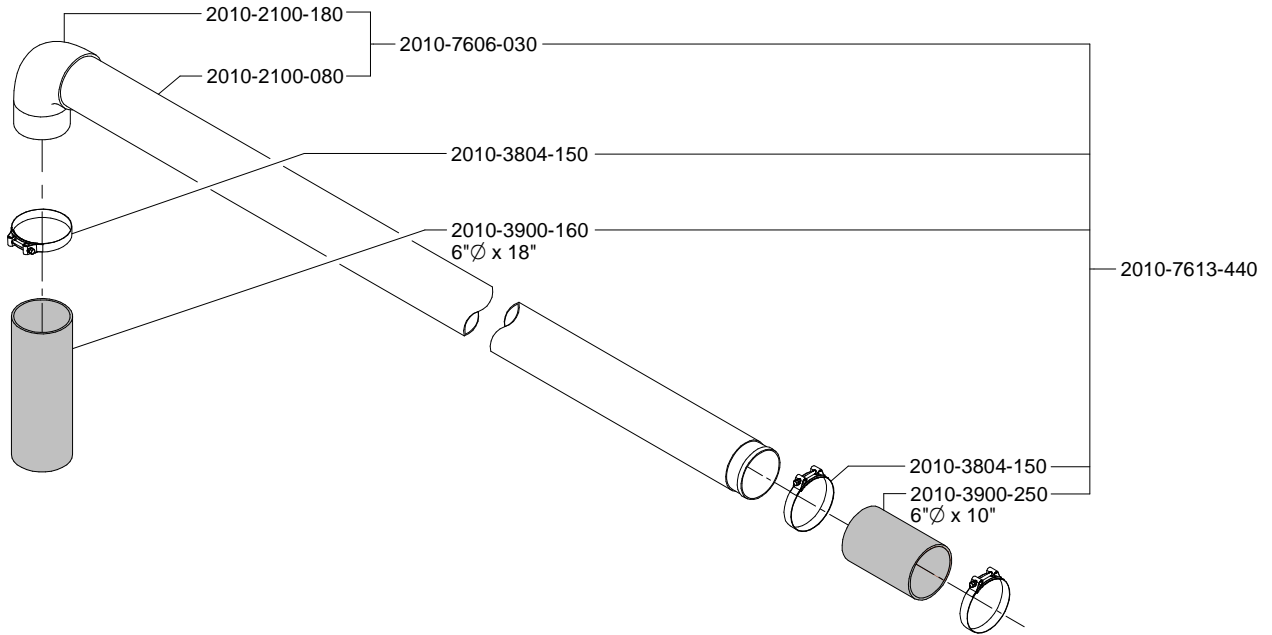




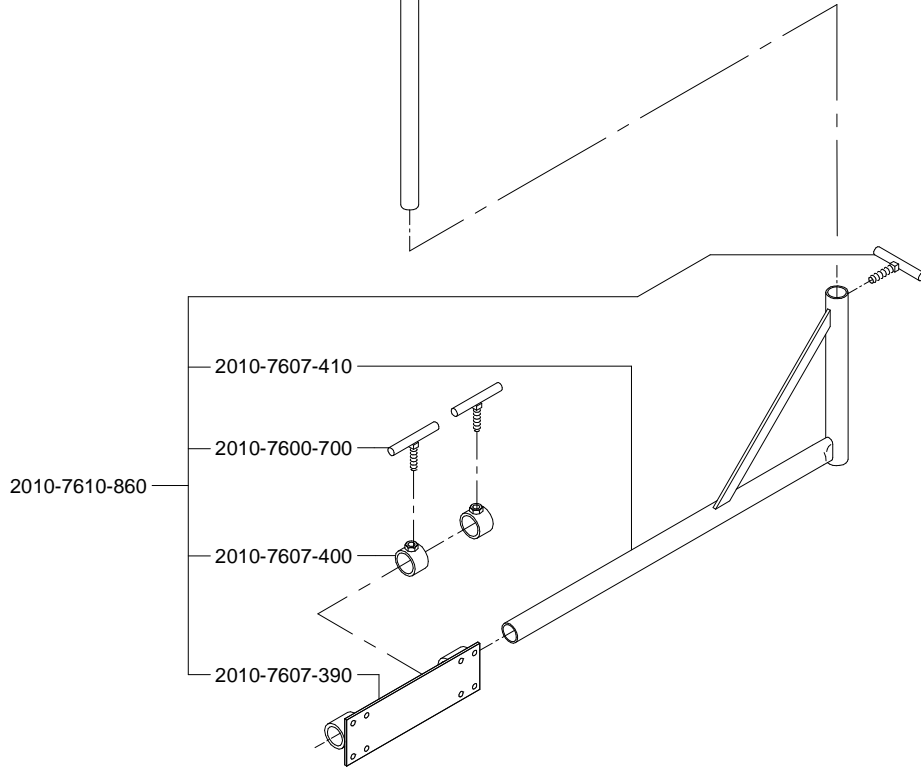
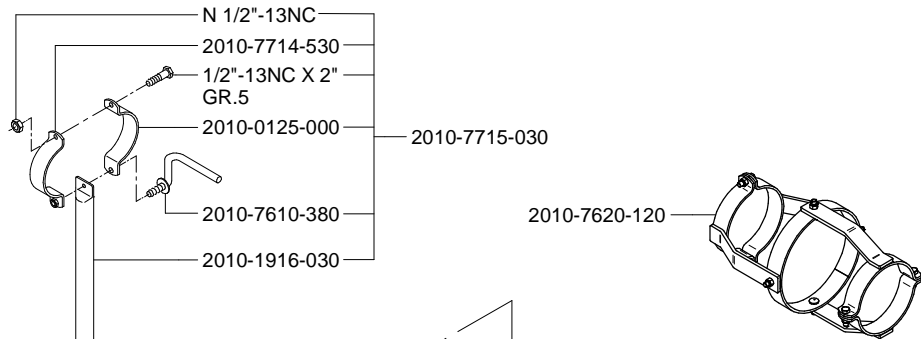
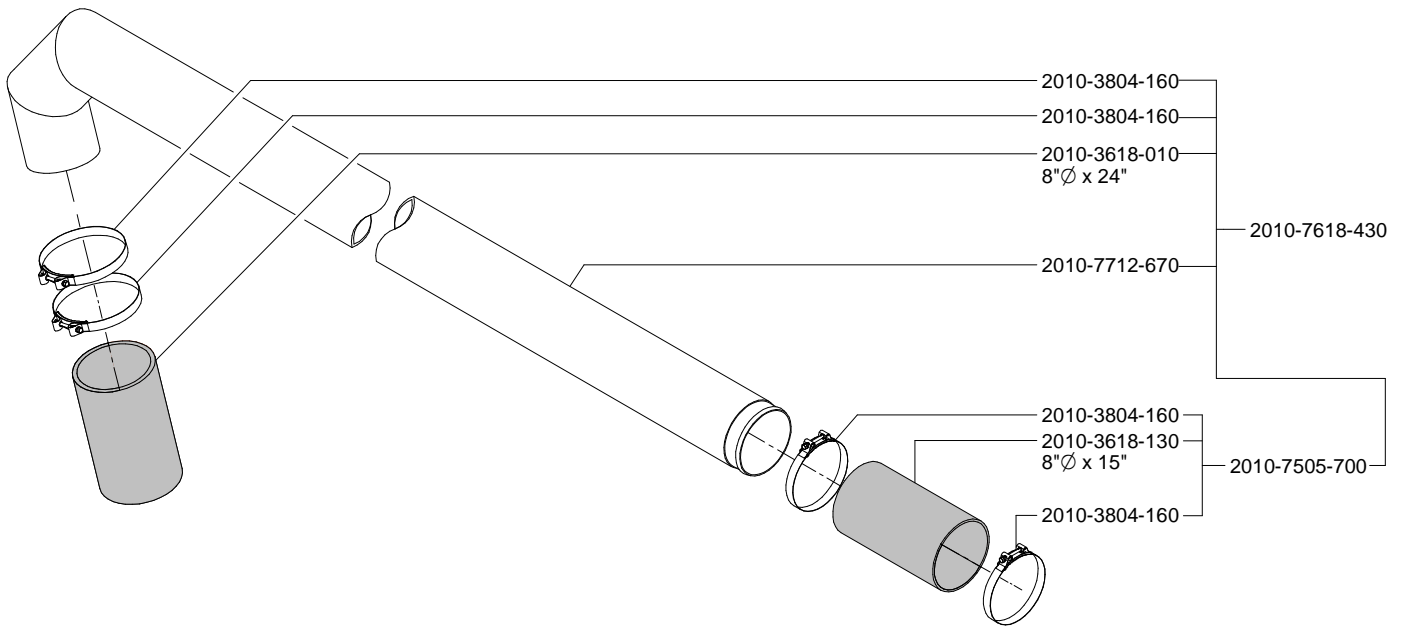


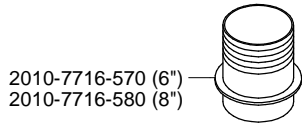


6" X 25 FT. PIPE ON TRACTOR BEFORE JULY, 2015

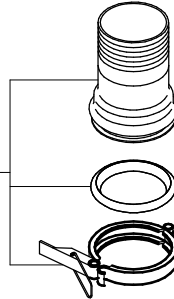


8" X 25 FT. PIPE ON TRACTOR BEFORE JULY, 2015

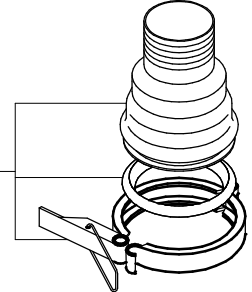




2010-7609-730 (6")
2010-7619-510 (8")



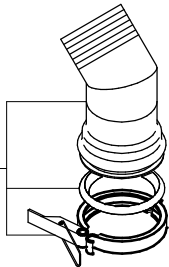
2010-7619-500
(6" @ 8")



-20°-
2010-7622-410 (6")
2010-7622-220 (8")

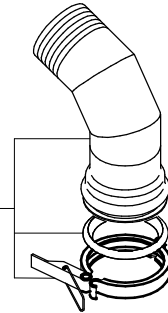
-30°-
2014-7614-170 (6")

-45°-
2014-7609-810 (6")
2010-7619-670 (8")



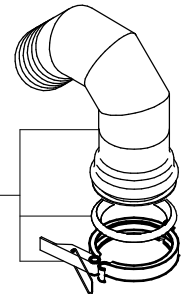
-70°-
2010-7612-090 (6")
2010-7618-440 (8")

-90°-
2010-7612-100 (6")
2010-7618-480 (8")



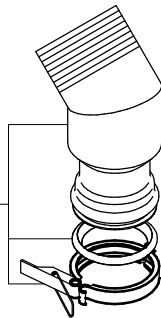
-105°-
2014-7610-100 (6")

-135°-
2014-7609-800 (6")
2010-7618-560 (8")



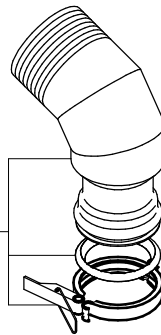
-20°-
2010-7625-290
(8" @ 6")

-45°-
2010-7626-500
(8" @ 6")

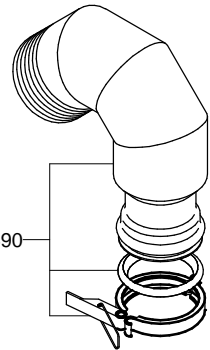




-70°-
2010-7619-680
(8" @ 6")

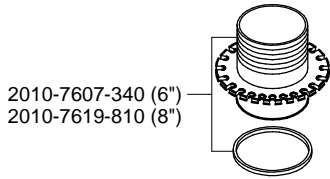
-90°-
2010-7626-510
(8" @ 6")



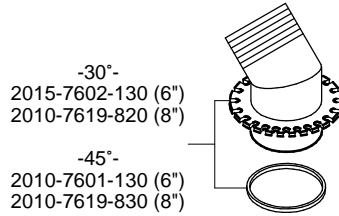
-135°-
2010-7626-490
(8" @ 6")



		
	Circle lock	Rubber gasket
6" adaptor	2010-4701-650	2010-3901-160
8" adaptor	2010-4703-180	2010-3903-640

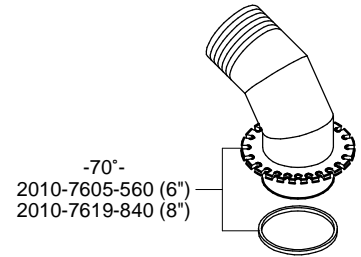


2010-7607-340 (6")
2010-7619-810 (8")

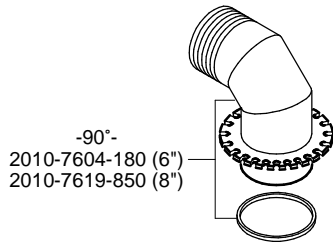


-30°-
2015-7602-130 (6")
2010-7619-820 (8")

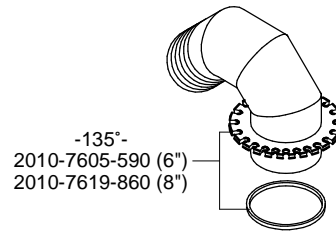
-45°-
2010-7601-130 (6")
2010-7619-830 (8")



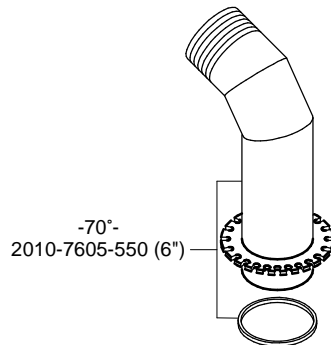
-70°-
2010-7605-560 (6")
2010-7619-840 (8")



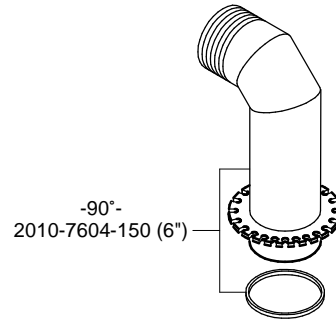
-90°-
2010-7604-180 (6")
2010-7619-850 (8")




-135°-
2010-7605-590 (6")
2010-7619-860 (8")



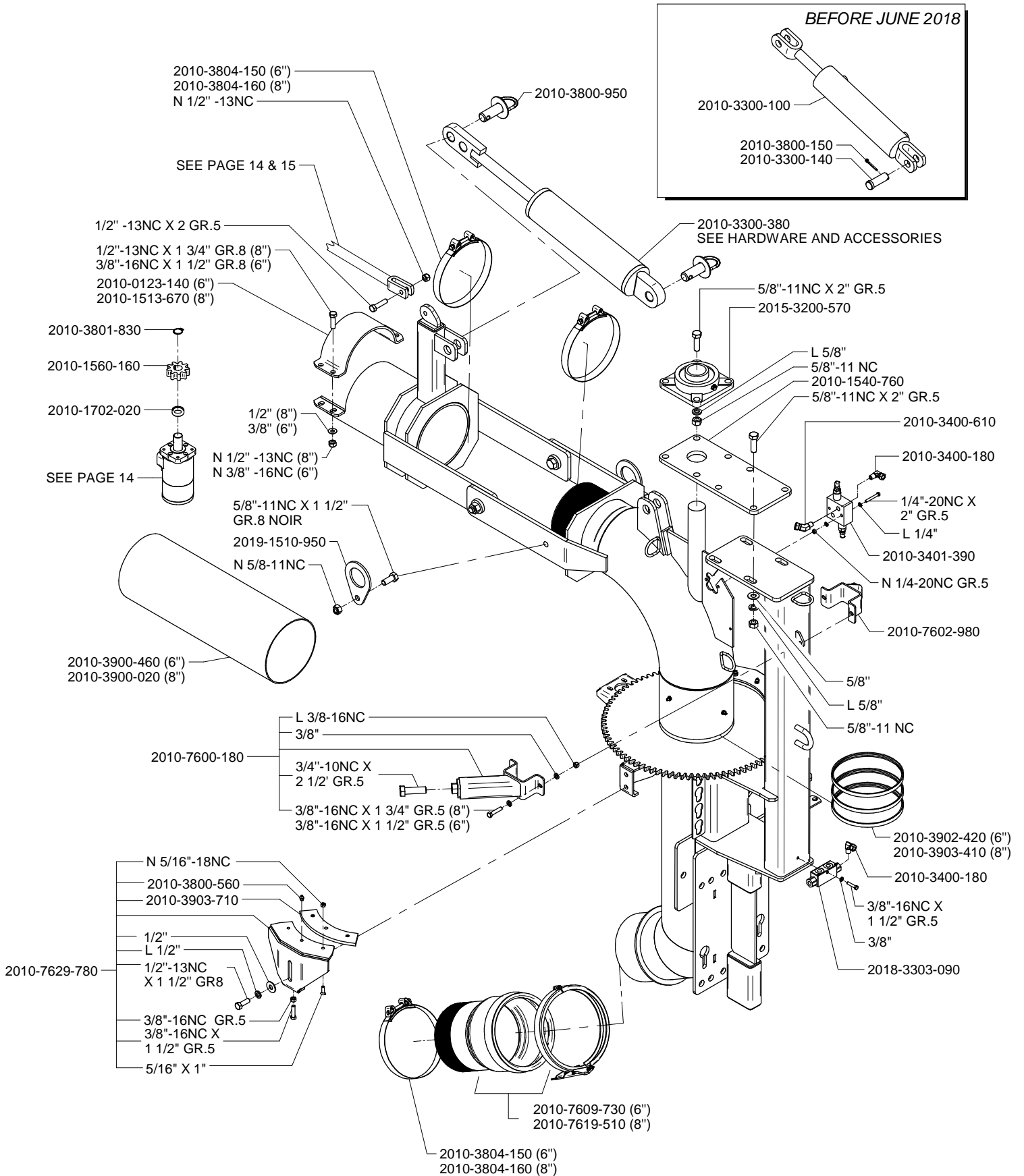
-70°-
2010-7605-550 (6")



-90°-
2010-7604-150 (6")

	 Rubber gasket
6" adaptor	2010-3900-070
8" adaptor	2007-3903-440

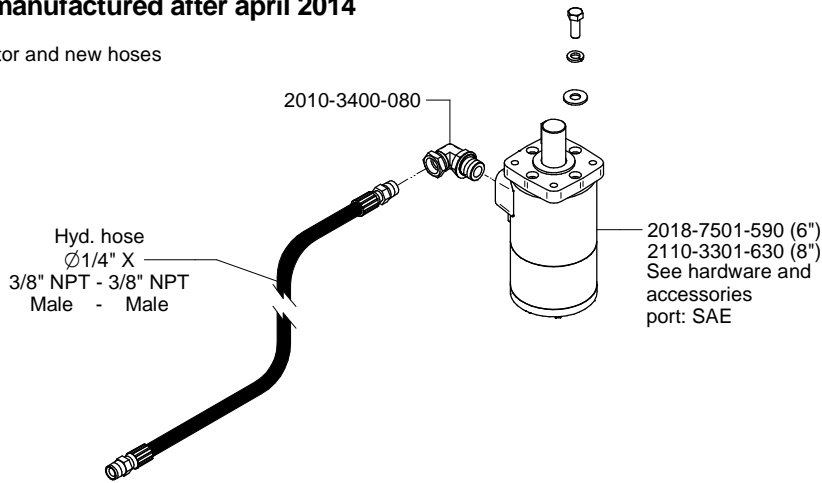
ARTICULATED LOADING PIPE - ARTICULATION



ARTICULATED LOADING PIPE - HYDRAULIC MOTOR FOR ARTICULATION

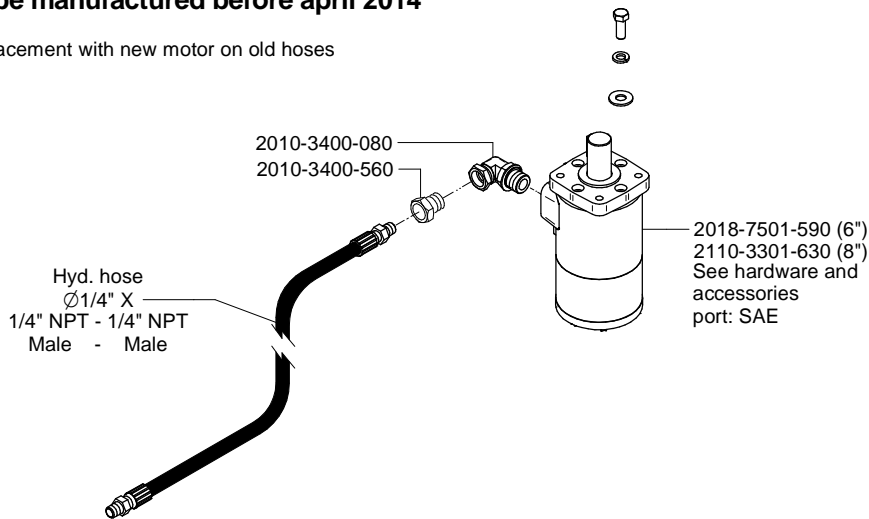
Loading pipe manufactured after april 2014

Note: new motor and new hoses

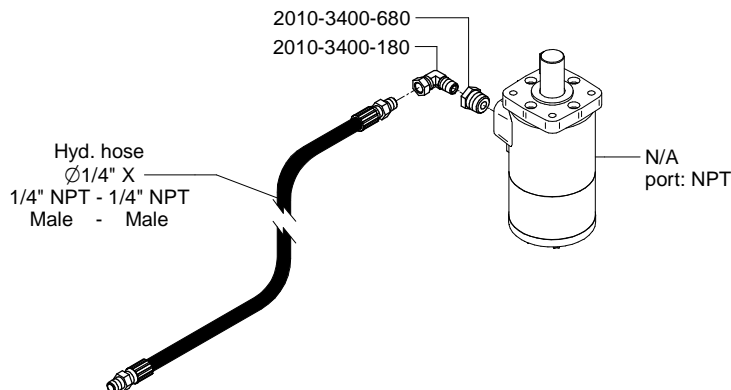


Loading pipe manufactured before april 2014

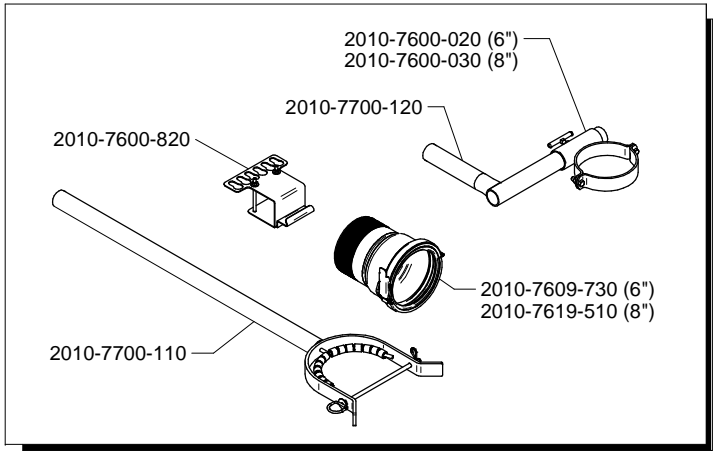
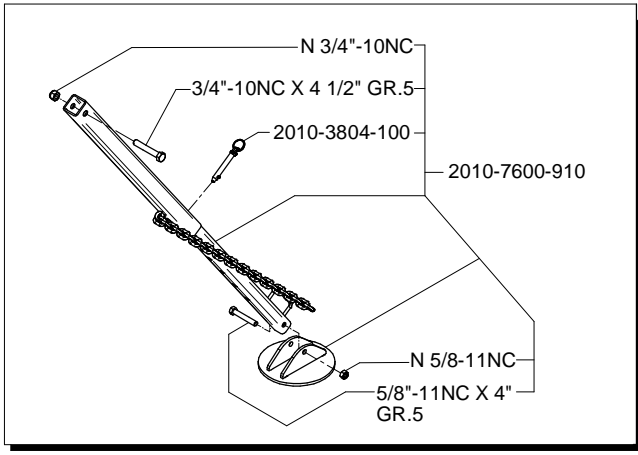
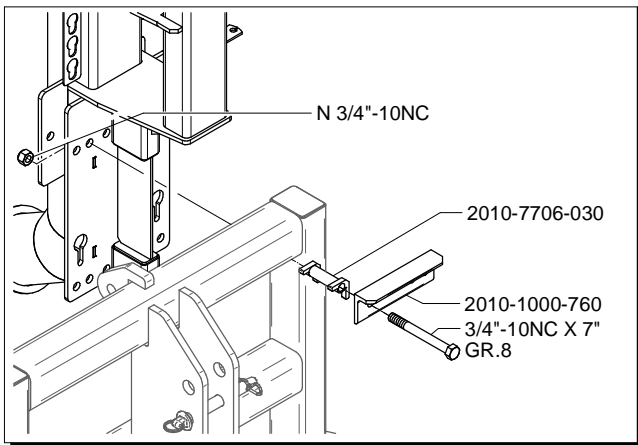
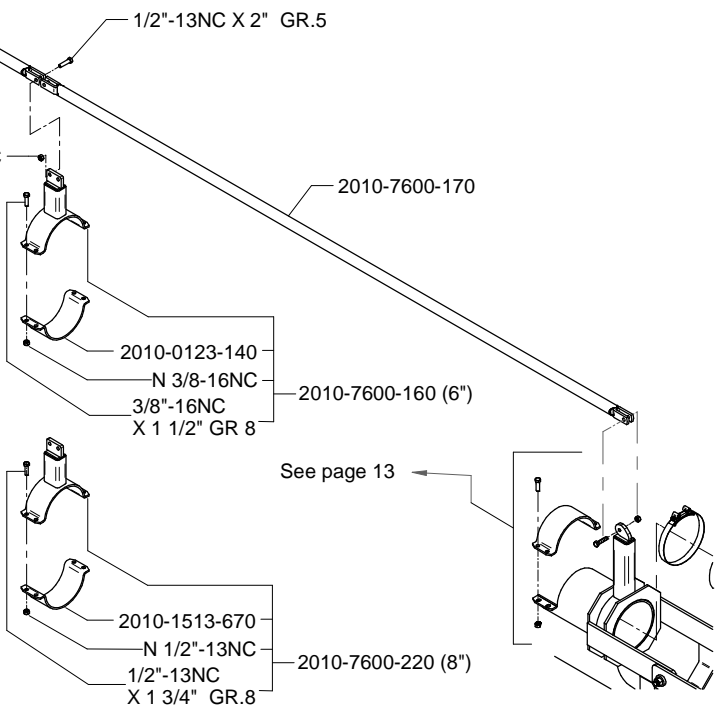
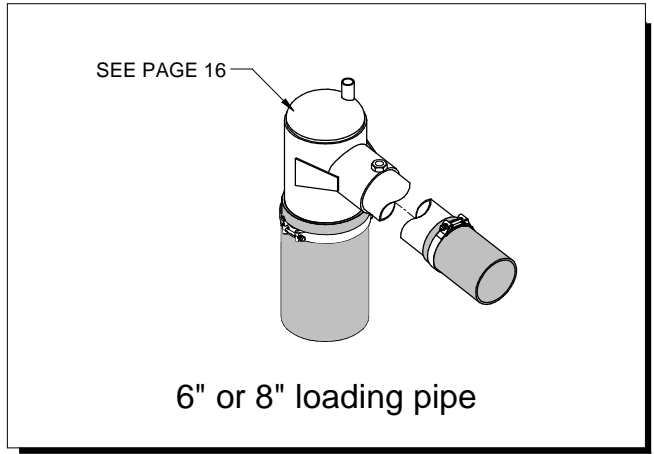
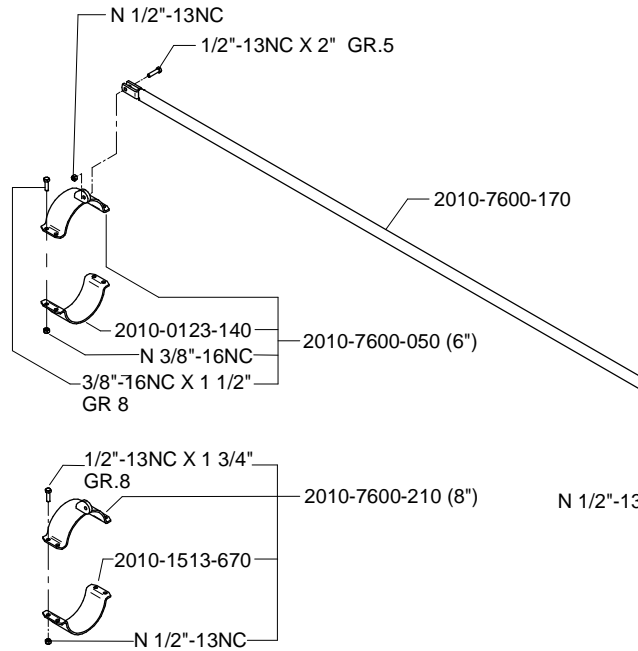
Note: replacement with new motor on old hoses



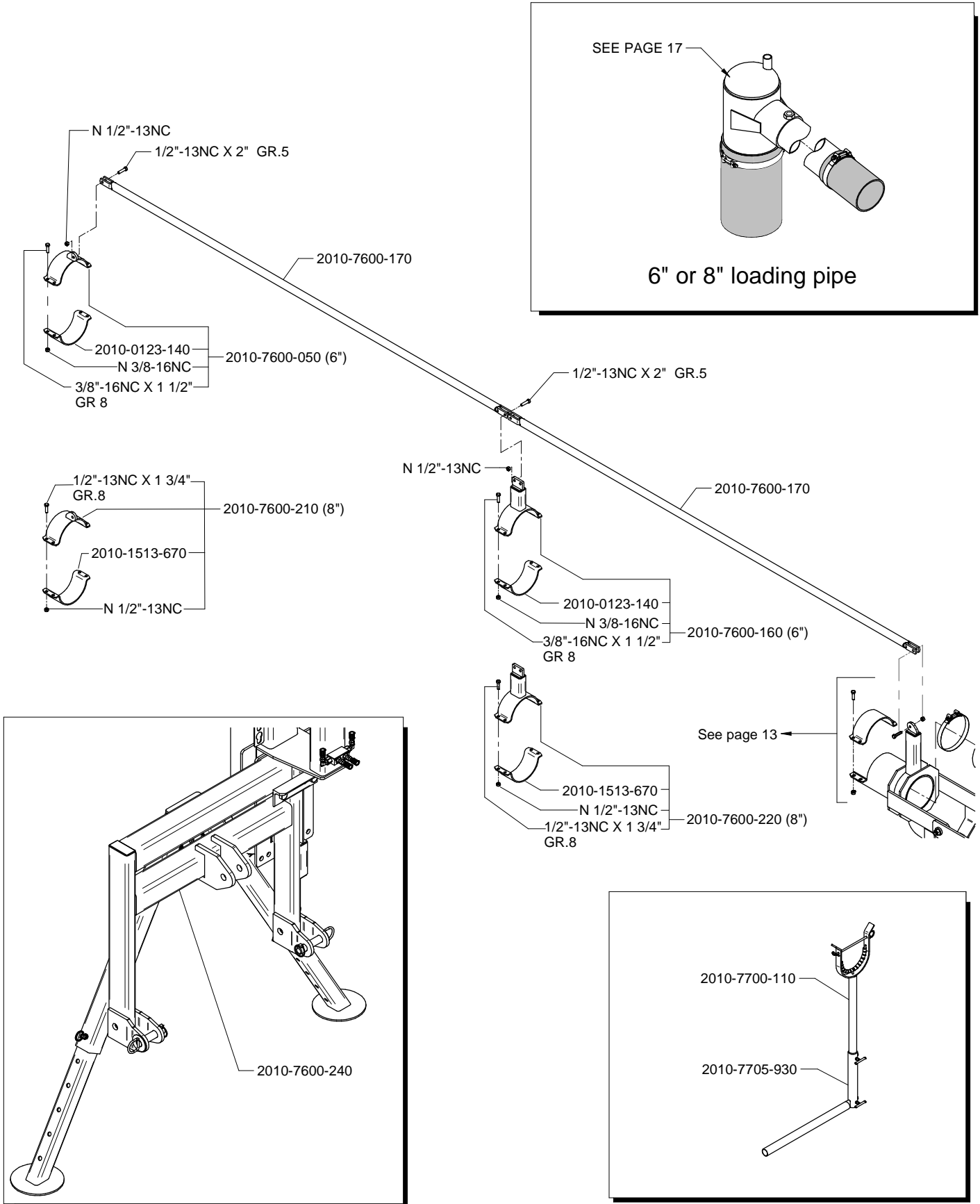
Note: old motor and old hoses



ARTICULATED LOADING PIPE - PARTS FOR ARTICULATED PUMPS



ARTICULATED LOADING PIPE - PARTS FOR LAGOON PUMPS



ARTICULATED LOADING PIPE - AUXILIARY PIPES AND LOADING PIPES

Auxiliary pipes

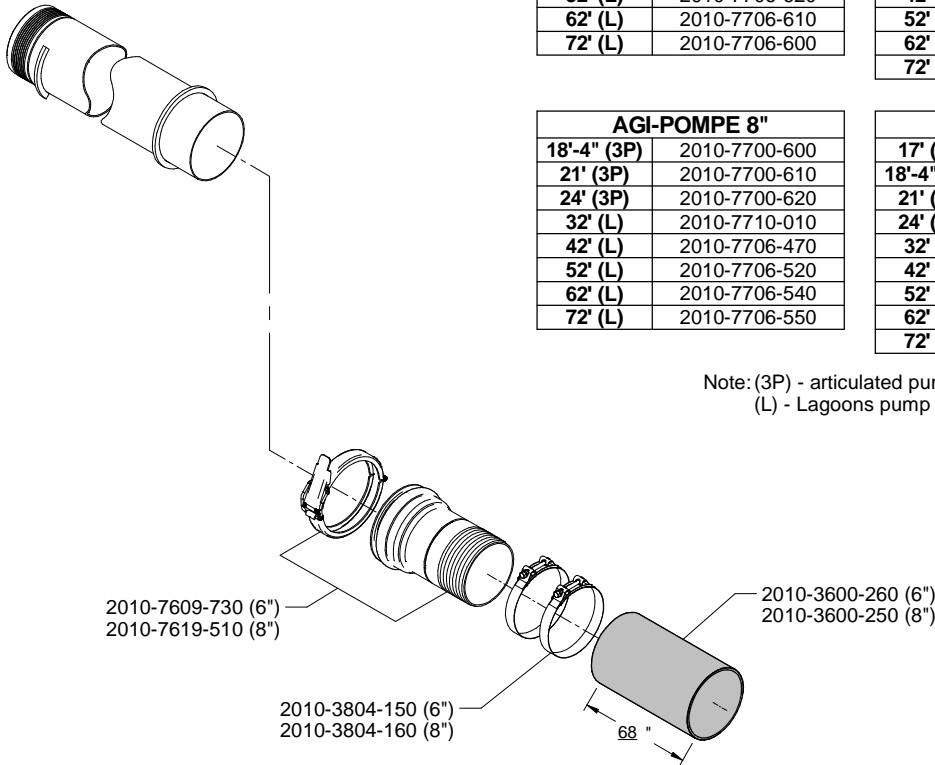
AGI-POMPE 6"	
18'-4" (3P)	2010-7700-550
21' (3P)	2010-7700-580
24' (3P)	2010-7700-590
32' (L)	2010-7710-010
42' (L)	2010-7706-630
52' (L)	2010-7706-620
62' (L)	2010-7706-610
72' (L)	2010-7706-600

SUPER PUMP 6"	
17' (3P)	2010-7706-680
18'-4" (3P)	2010-7706-690
21' (3P)	2010-7706-700
24' (3P)	2010-7706-710
32' (L)	2010-7710-600
42' (L)	2010-7710-620
52' (L)	2010-7710-640
62' (L)	2010-7710-660
72' (L)	2010-7706-600

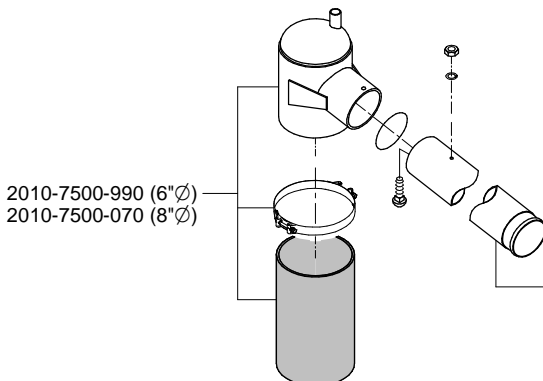
AGI-POMPE 8"	
18'-4" (3P)	2010-7700-600
21' (3P)	2010-7700-610
24' (3P)	2010-7700-620
32' (L)	2010-7710-010
42' (L)	2010-7706-470
52' (L)	2010-7706-520
62' (L)	2010-7706-540
72' (L)	2010-7706-550

SUPER PUMP 8"	
17' (3P)	2010-7706-560
18'-4" (3P)	2010-7706-570
21' (3P)	2010-7706-580
24' (3P)	2010-7706-590
32' (L)	2010-7710-610
42' (L)	2010-7710-630
52' (L)	2010-7710-650
62' (L)	2010-7710-670
72' (L)	2018-7730-730

Note: (3P) - articulated pump
(L) - Lagoons pump



Loading pipe



6"	
20'	2010-2100-730
25'	2010-2100-610
30'	2010-2100-240

8"	
20'	2010-2100-000
25'	2010-2100-020
30'	2010-2100-230