

Table of contents.....01

3-Point Hitch Agitator 27'.....02

Articulated Frame and Propeller.....03

Drive Shaft - Agitator 27'.....04

Optional Sideway Articulation - 27' Agitator.....05

Drive Shaft - 27' Agitator with Sideway Articulation.....06

Wheels and Tow Bar Kit.....07

32' & 42' Lagoon Agitator.....08

52' Lagoon Agitator.....09

Driving Shaft - Lagoon Agitator.....10

Undercarriage - 6 5/8" Pivot.....11

Heavy Duty Undercarriage - 8 5/8" Pivot.....12

Heavy Duty Undercarriage 4' Wider - 8 5/8" Pivot.....13

Heavy Duty Undercarriage - With articulated Stabilizer Wheels.....14

Multipurpose Undercarriage - 8 5/8" Pivot.....15

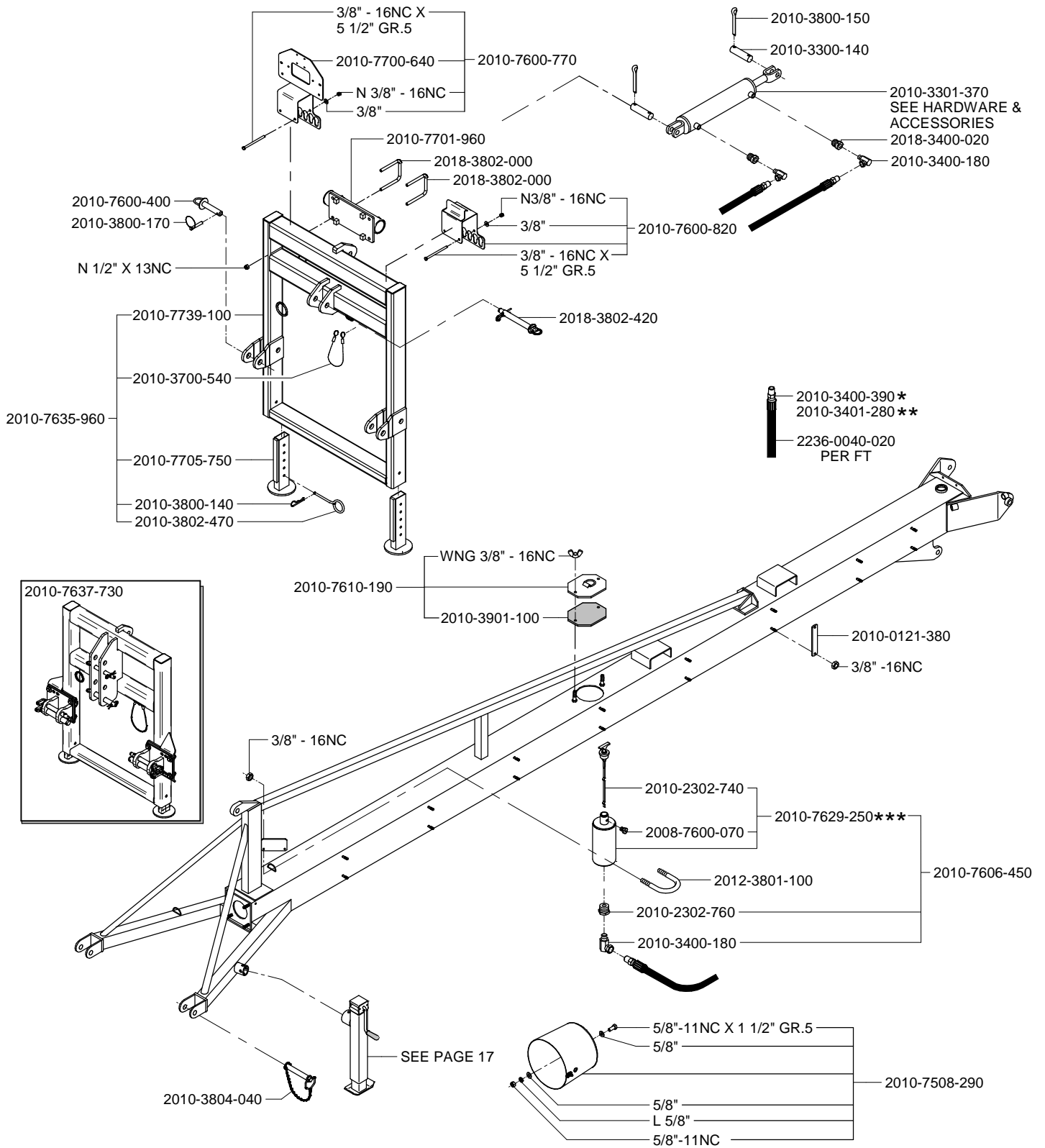
Multipurpose Undercarriage - 6 5/8" Pivot before 2002.....16

Jacks.....17

Hydraulic Control.....18

Lubrication Oil Tank.....A

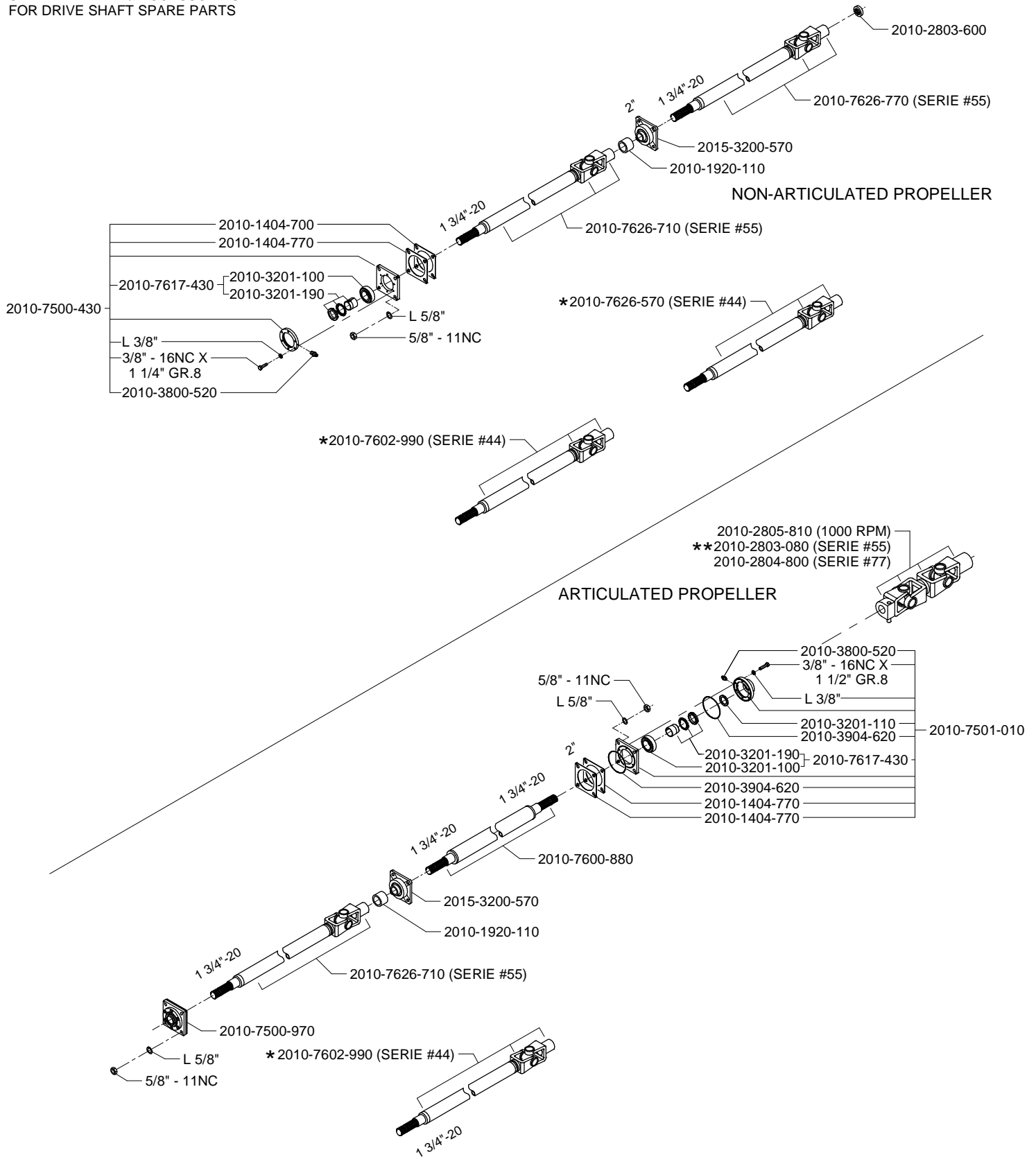
Hardware Identification	
Type	Designation
Hexagonal bolt	-
Carriage bolt	CB
Square head bolt	SB
Socket head cap screw	SCS
Socket head set screw	SSS
Flat head cap screw	FCS
Hexagon nut	-
Hexagon nylon lock nut	N
Hexagon oval lock nut	OVL
Hexagon tri-lock nut	TRI
Castle nut	CSL
Flange nut	FLN
Wing nut	WNG
Flat washer	-
Lock washer	L
SAE washer	SAE
Large ext. dia. washer	LD
Small ext. dia. washer	SD
Stainless steel bolts parts	SS



* SCREW-ON COUPLING
 ** CRIMPED COUPLING (FACTORY MOUNTED)
 *** REPLACES OLD MODEL (see page A)

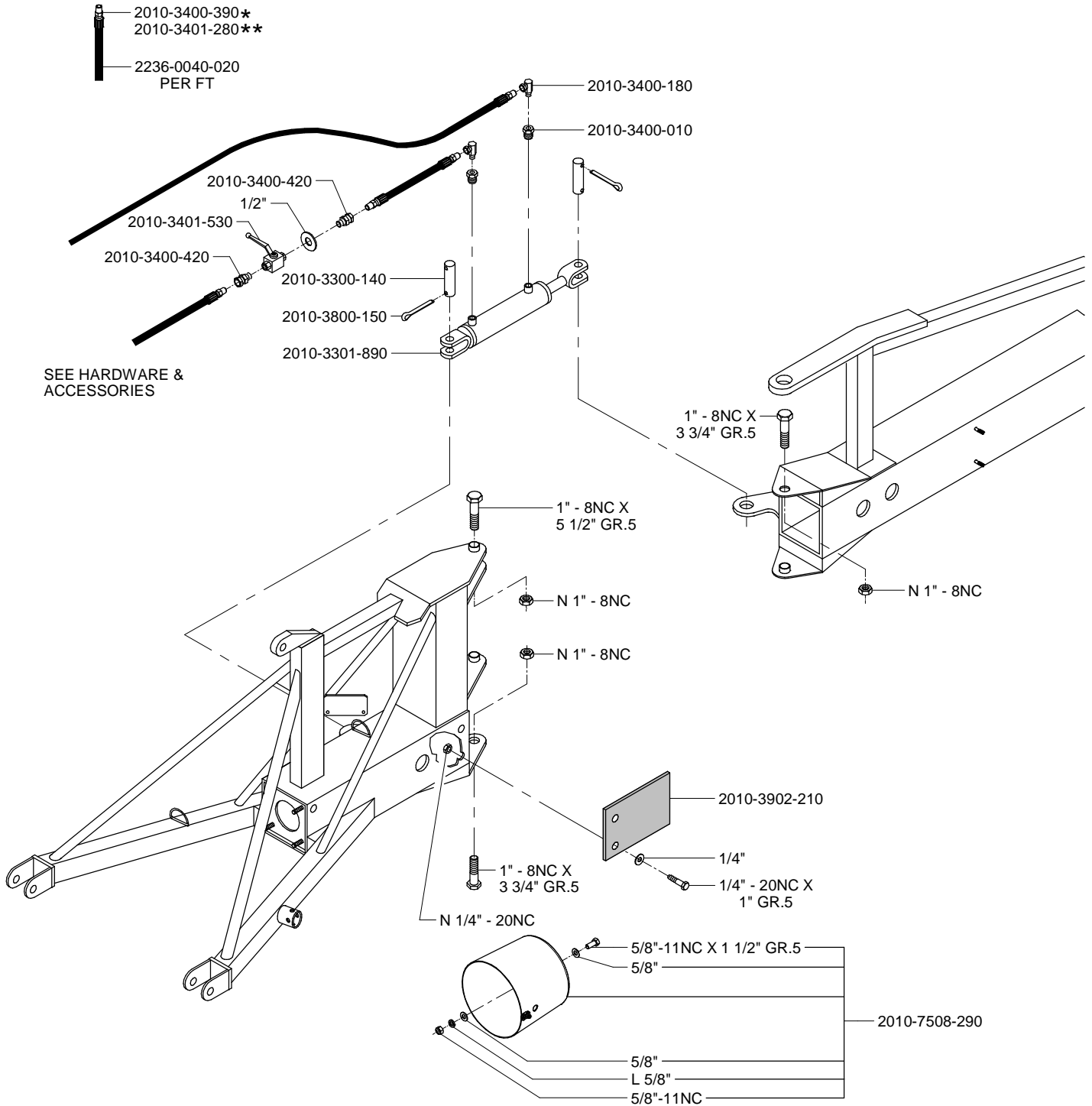
DRIVE SHAFT - Agitator 27'

SEE HARDWARE & ACCESSORIES
FOR DRIVE SHAFT SPARE PARTS



* Old model before April 2002
** Old model before July 2015

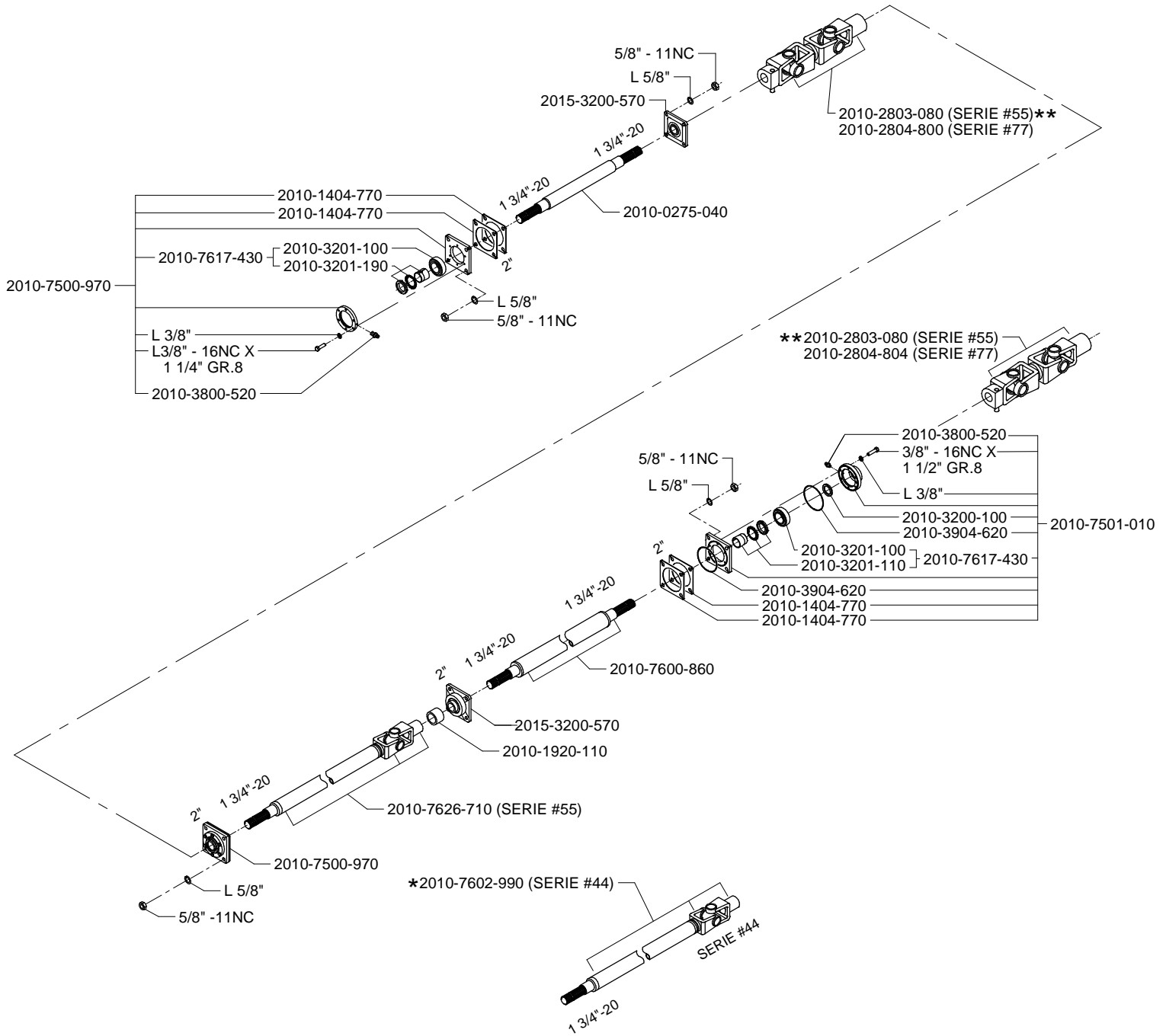
OPTIONAL SIDEWAY ARTICULATION - 27' Agitator



* REUSABLE SCREW-ON COUPLING
** CRIMPED COUPLING (FACTORY MOUNTED)

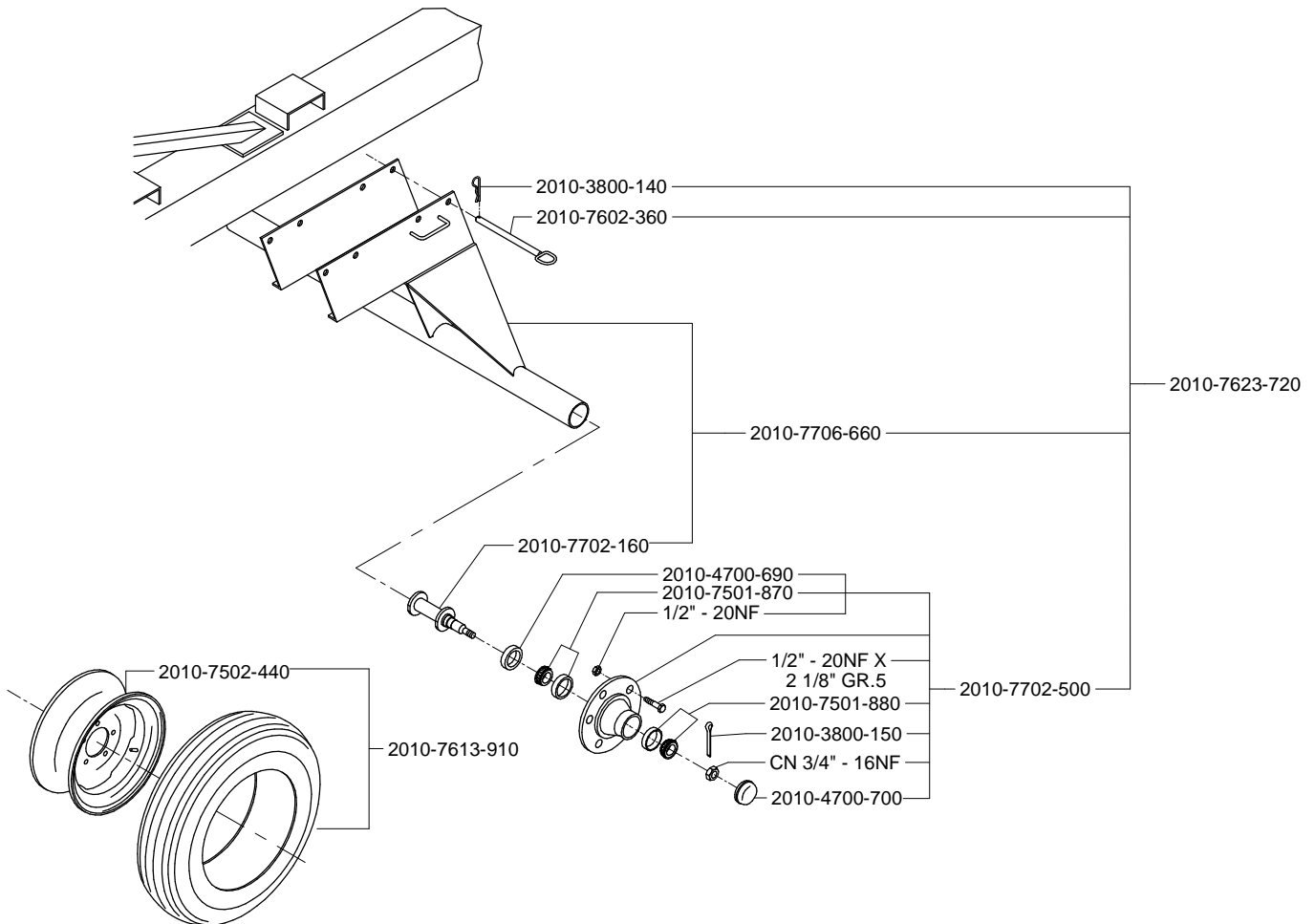
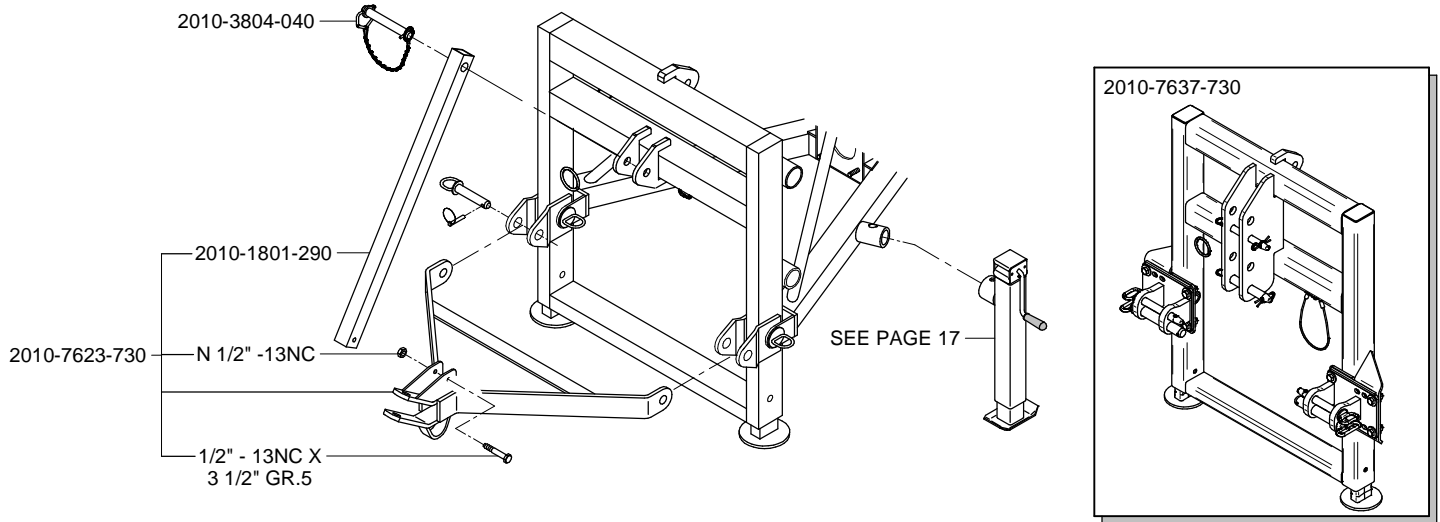
DRIVE SHAFT - 27' Agitator with Sideway Articulation

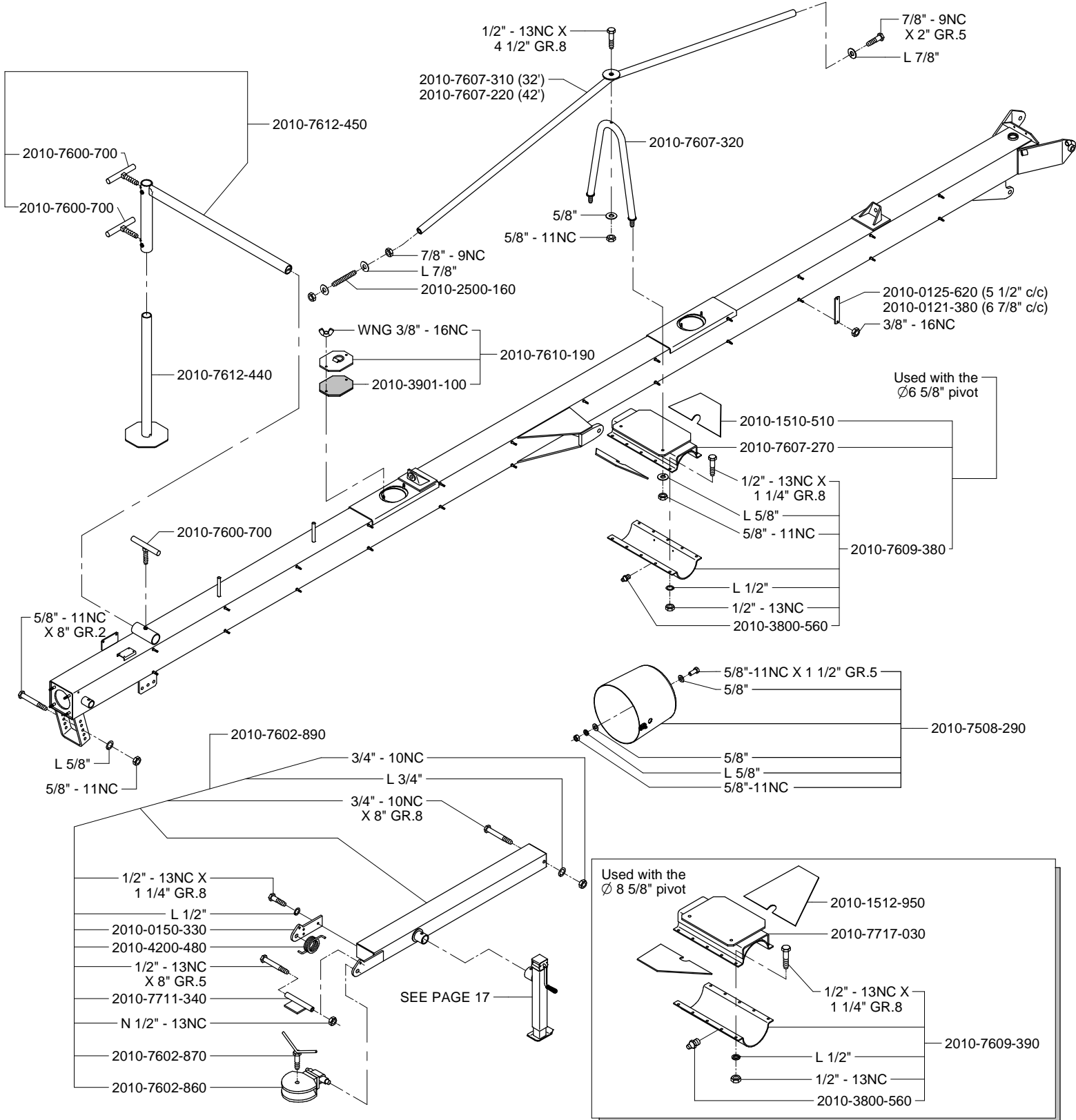
SEE HARDWARE & ACCESSORIES
FOR DRIVE SHAFT SPARE PARTS

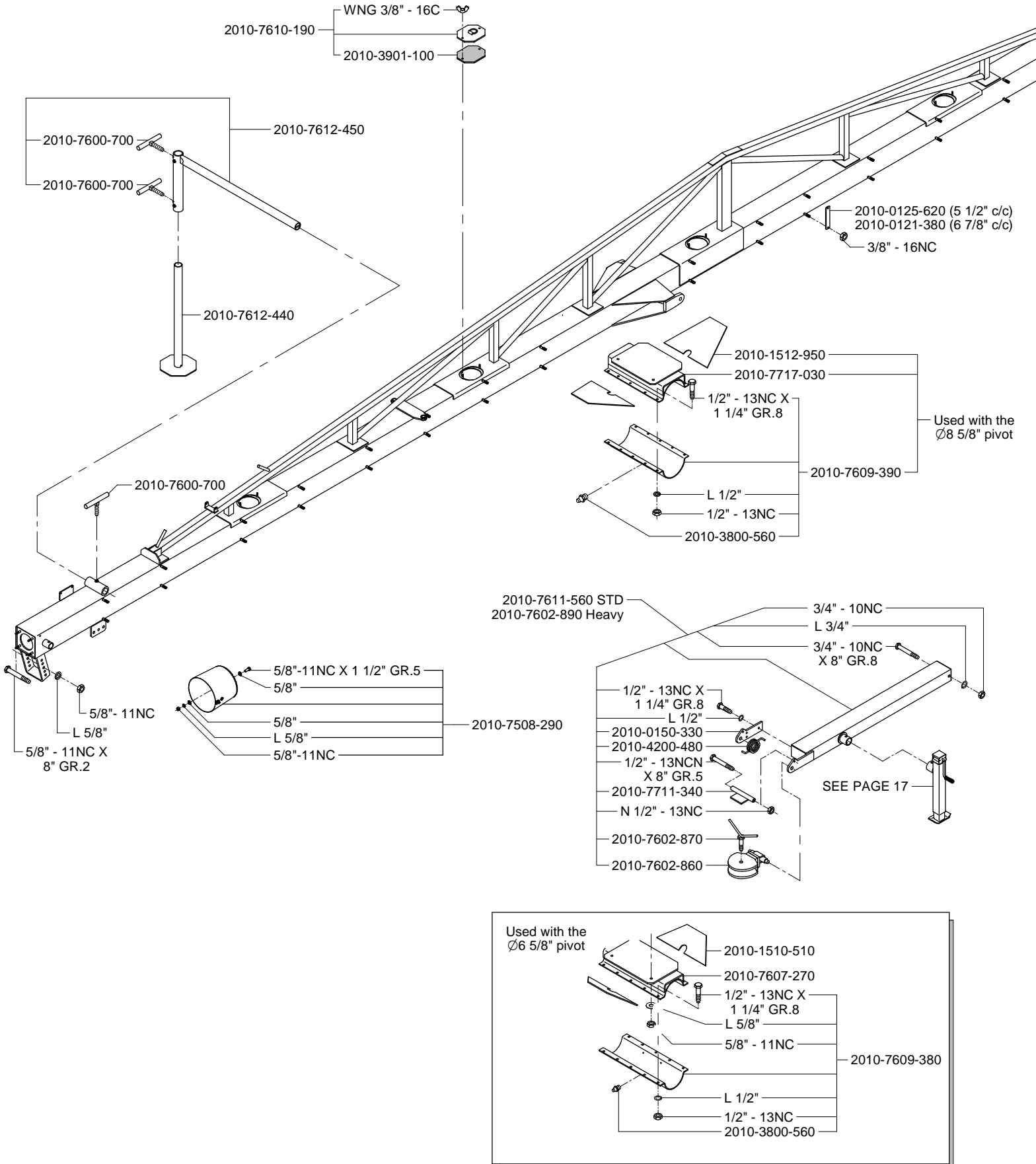


* Old model before April 2002

** Before July 2015



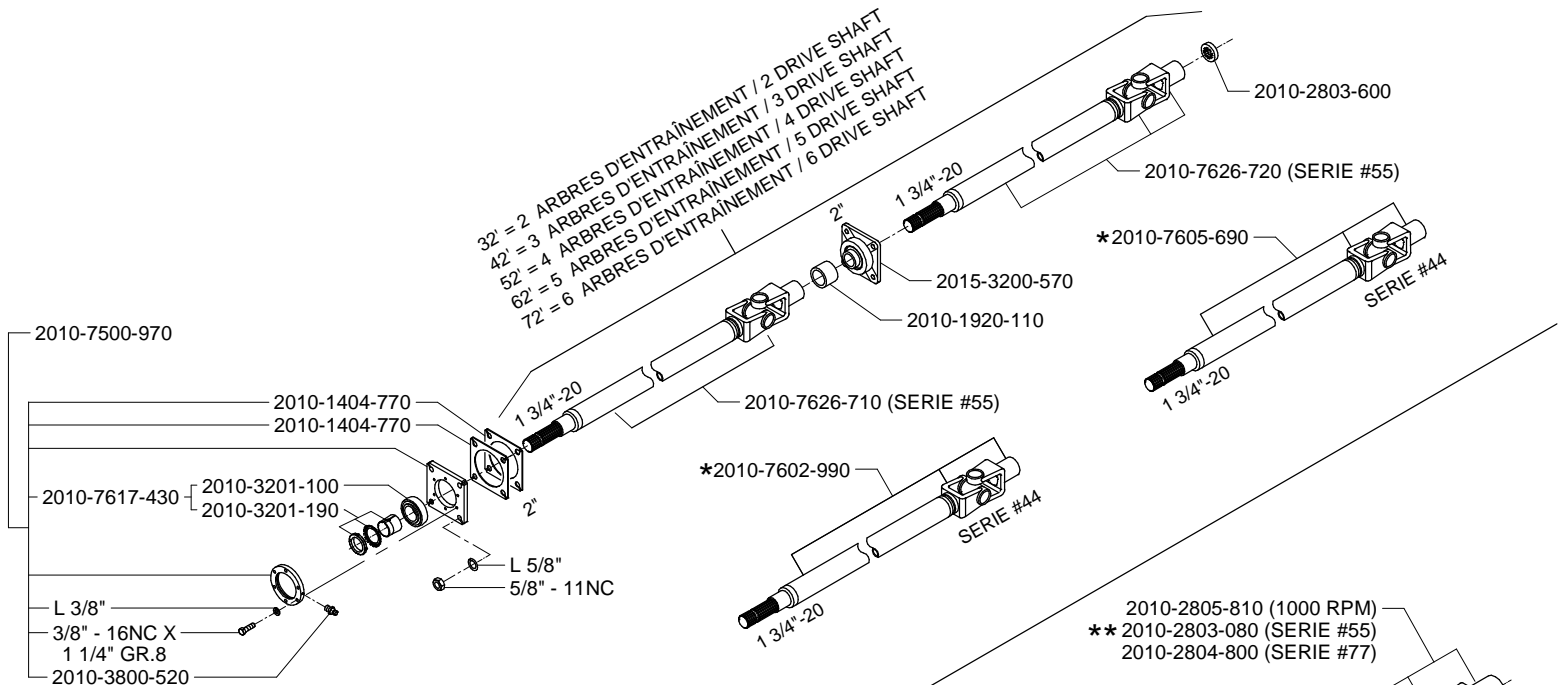




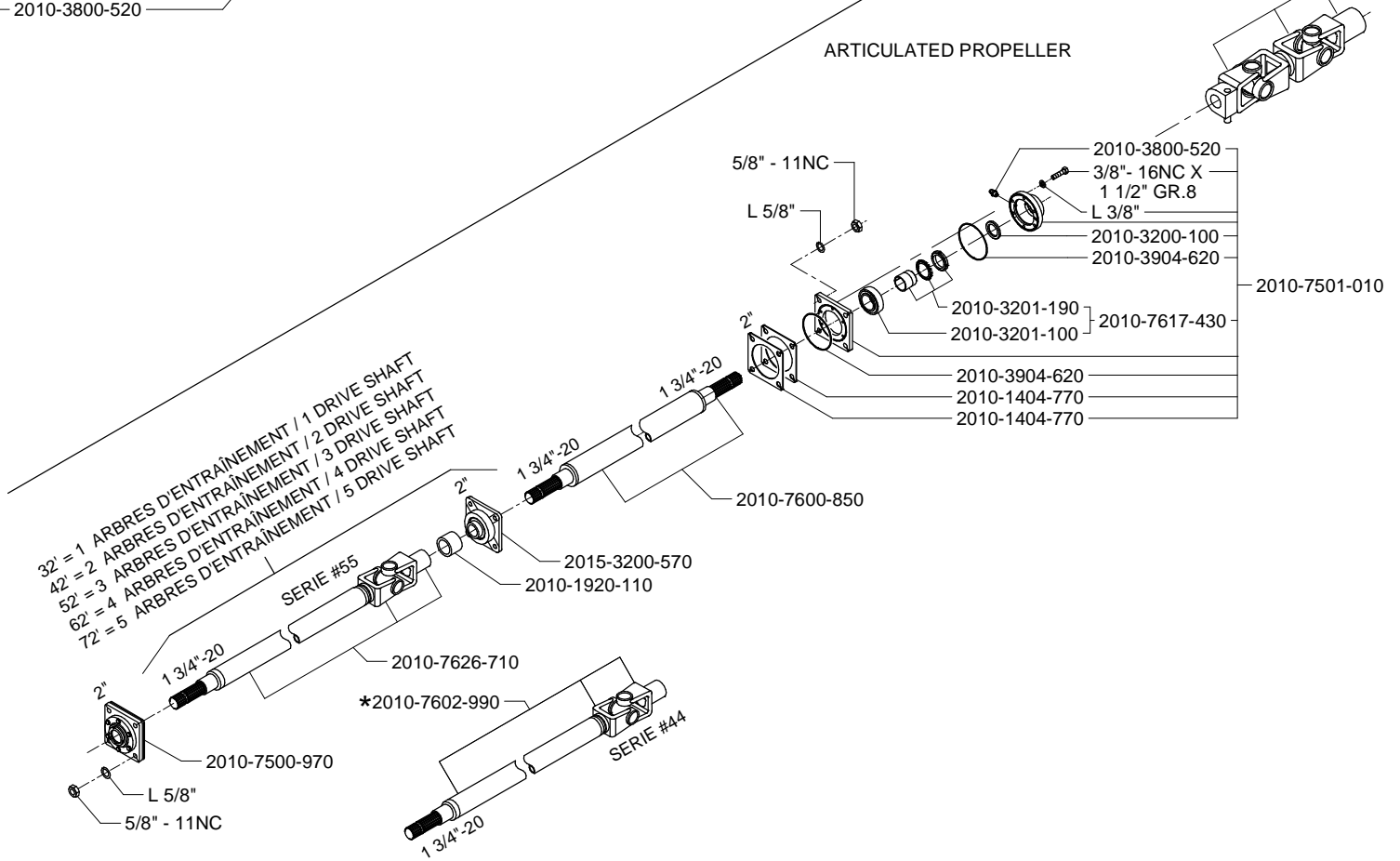
DRIVING SHAFT - Lagoon Agitator

SEE HARDWARE & ACCESSORIES PAGE 1 FOR DRIVE SHAFT SPARE PARTS

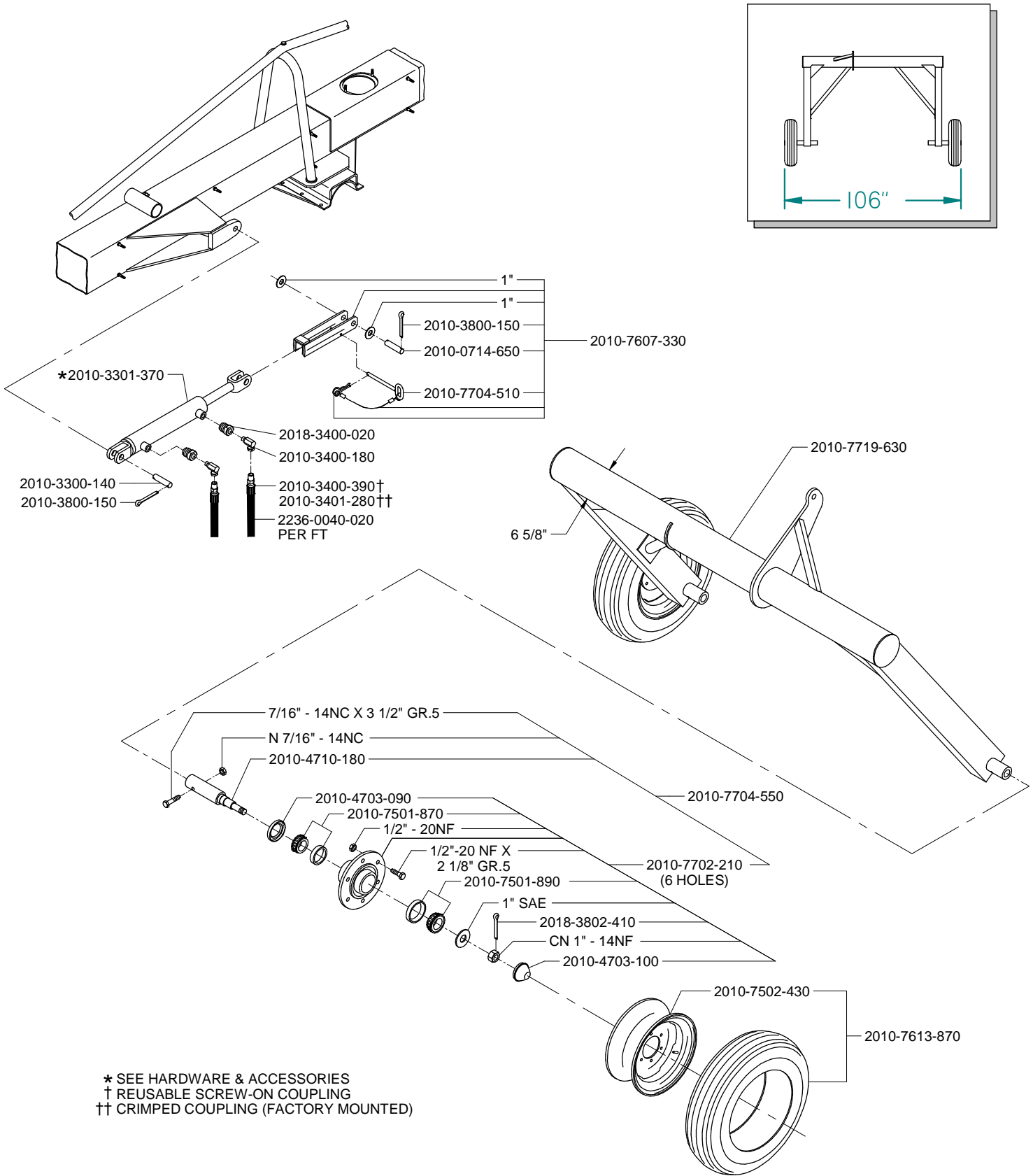
NON-ARTICULATED PROPELLER



ARTICULATED PROPELLER

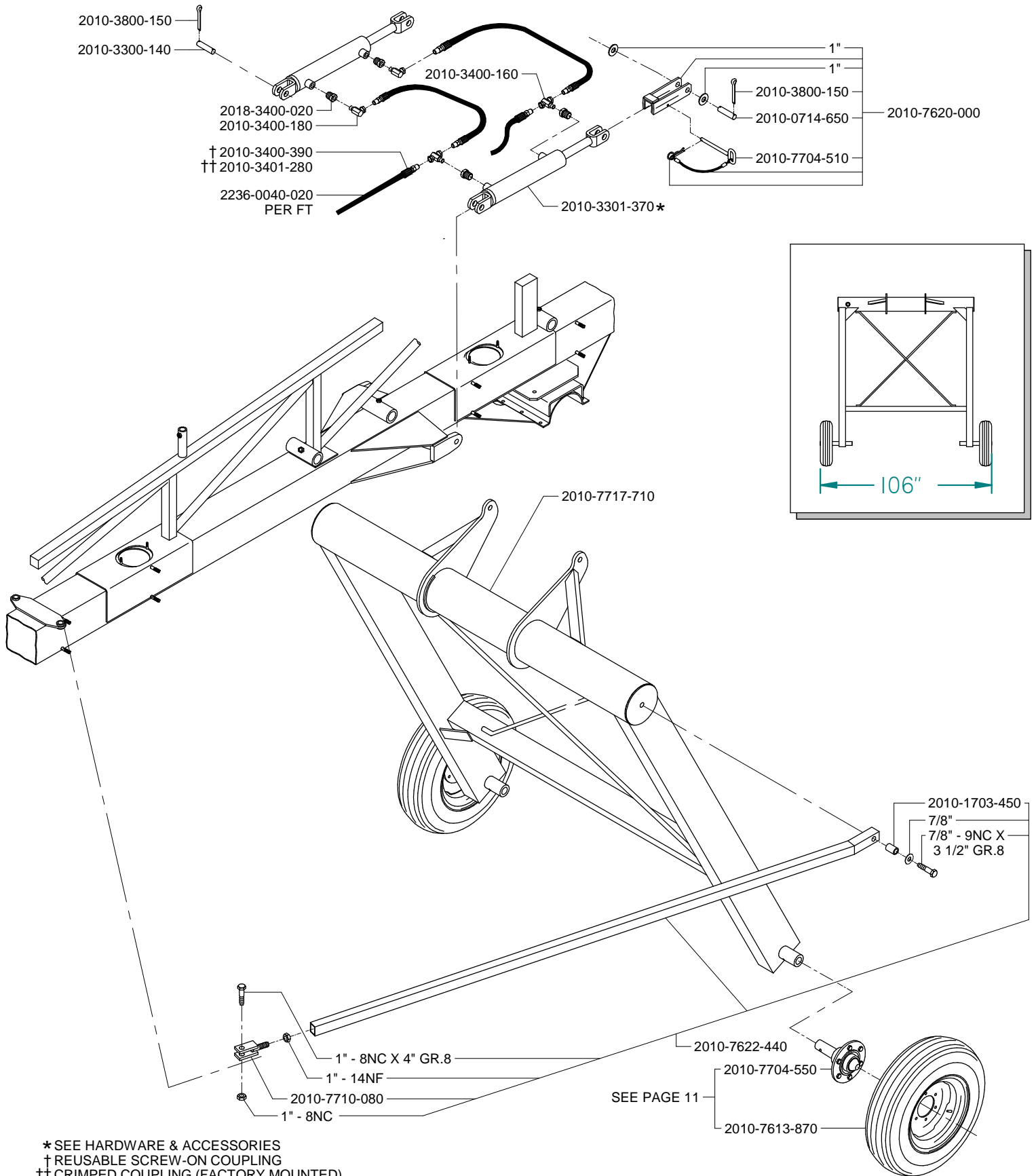


* Old model before April 2002
 ** Before July 2015



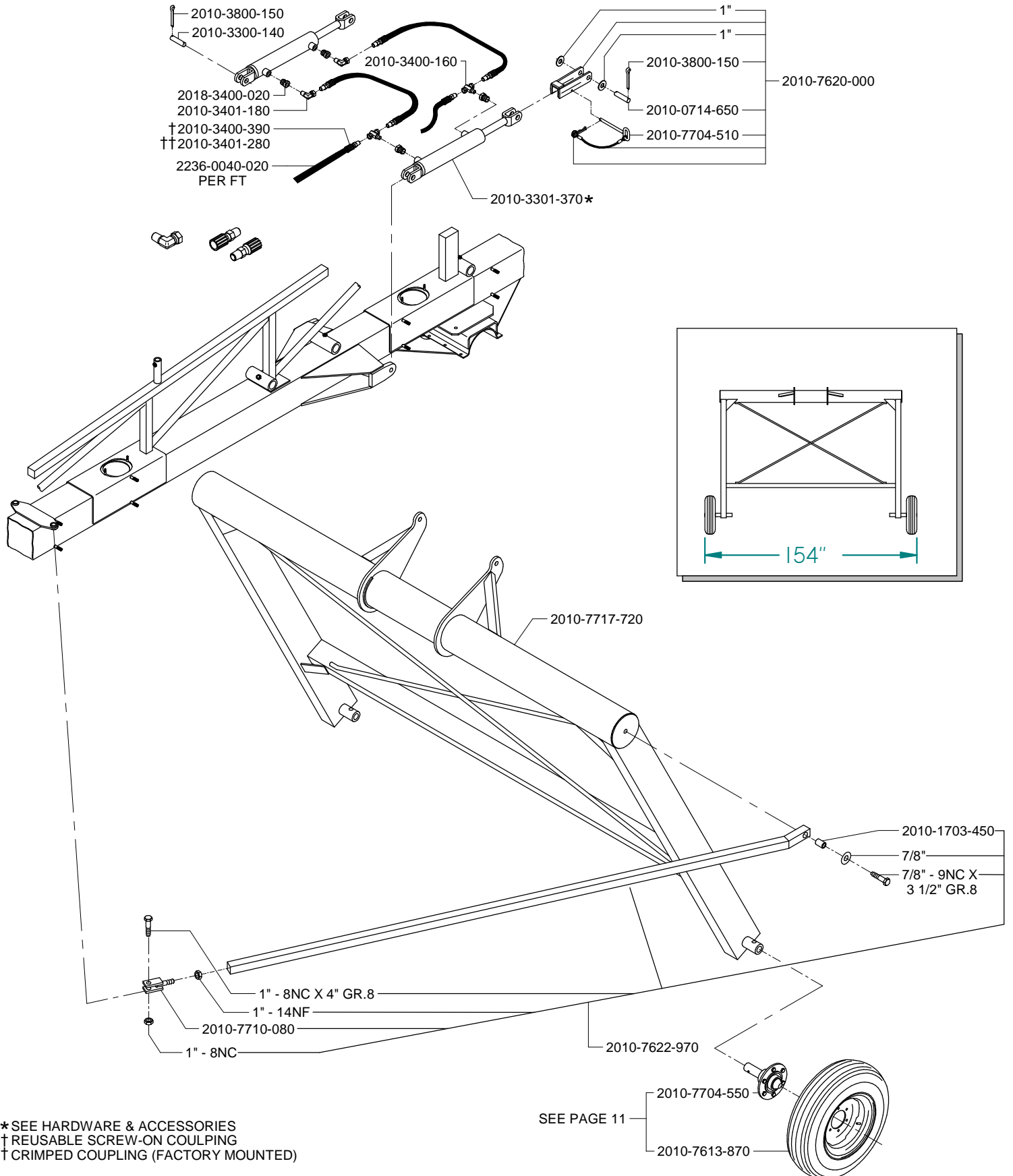
* SEE HARDWARE & ACCESSORIES
 † REUSABLE SCREW-ON COUPLING
 †† CRIMPED COUPLING (FACTORY MOUNTED)

HEAVY DUTY UNDERCARRIAGE - 6 5/8" pivot



* SEE HARDWARE & ACCESSORIES
† REUSABLE SCREW-ON COUPLING
†† CRIMPED COUPLING (FACTORY MOUNTED)

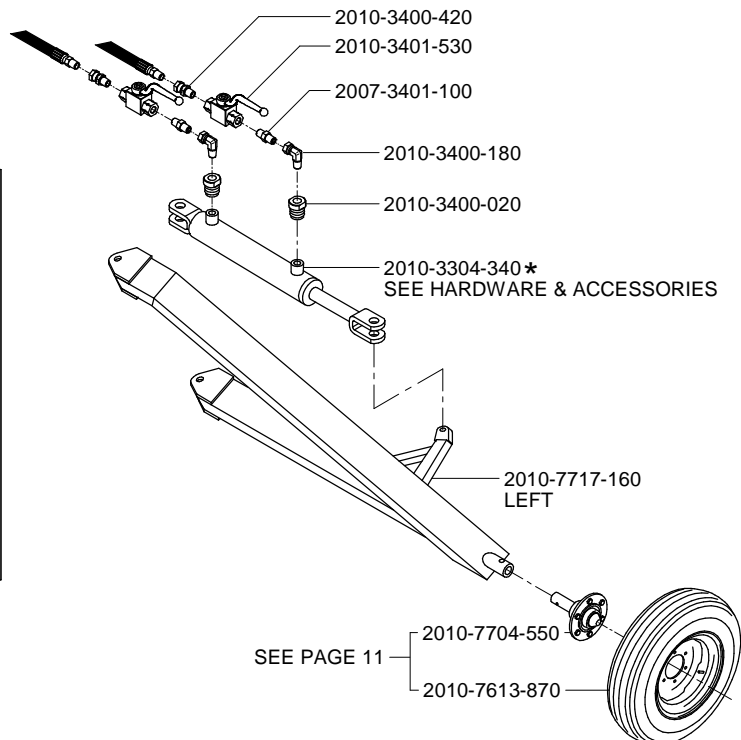
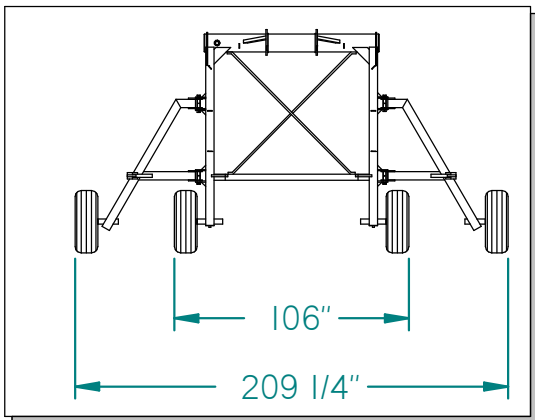
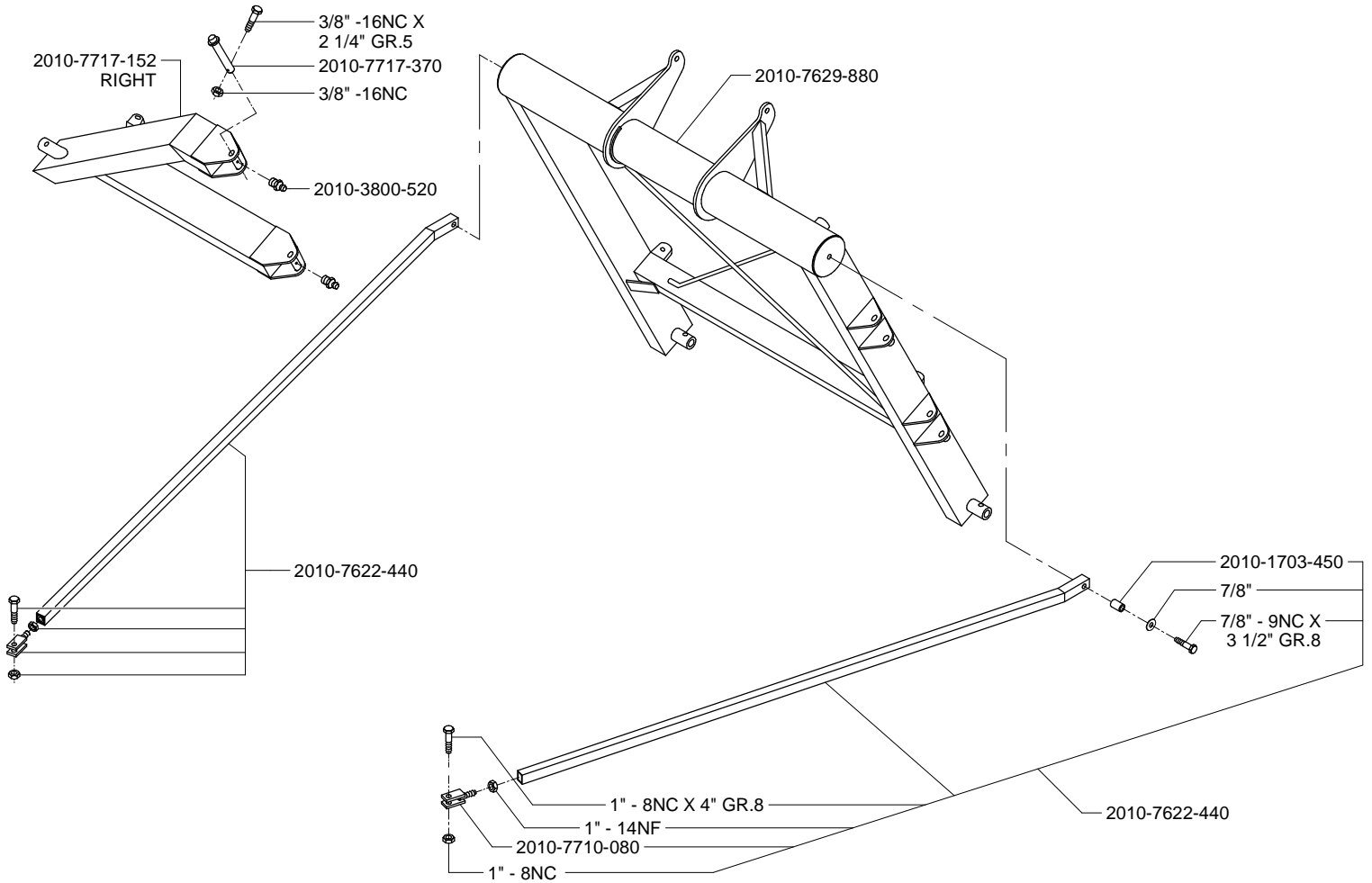
HEAVY DUTY UNDERCARRIAGE 4' WIDER - 8 5/8" PIVOT



* SEE HARDWARE & ACCESSORIES
 † REUSABLE SCREW-ON COUPLING
 †† CRIMPED COUPLING (FACTORY MOUNTED)

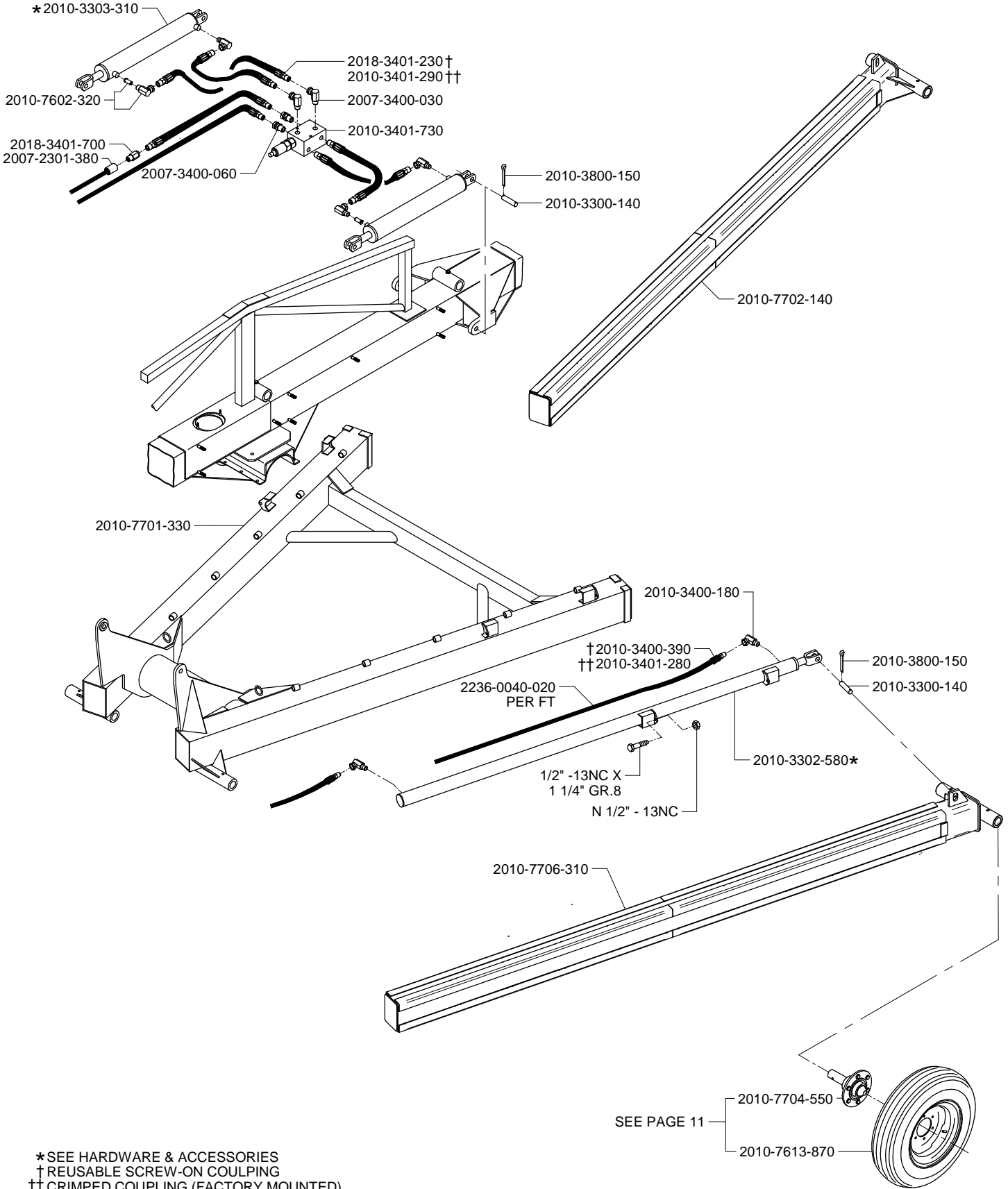
SEE PAGE 11

HEAVY DUTY UNDERCARRIAGE - With articulated stabilizer wheels



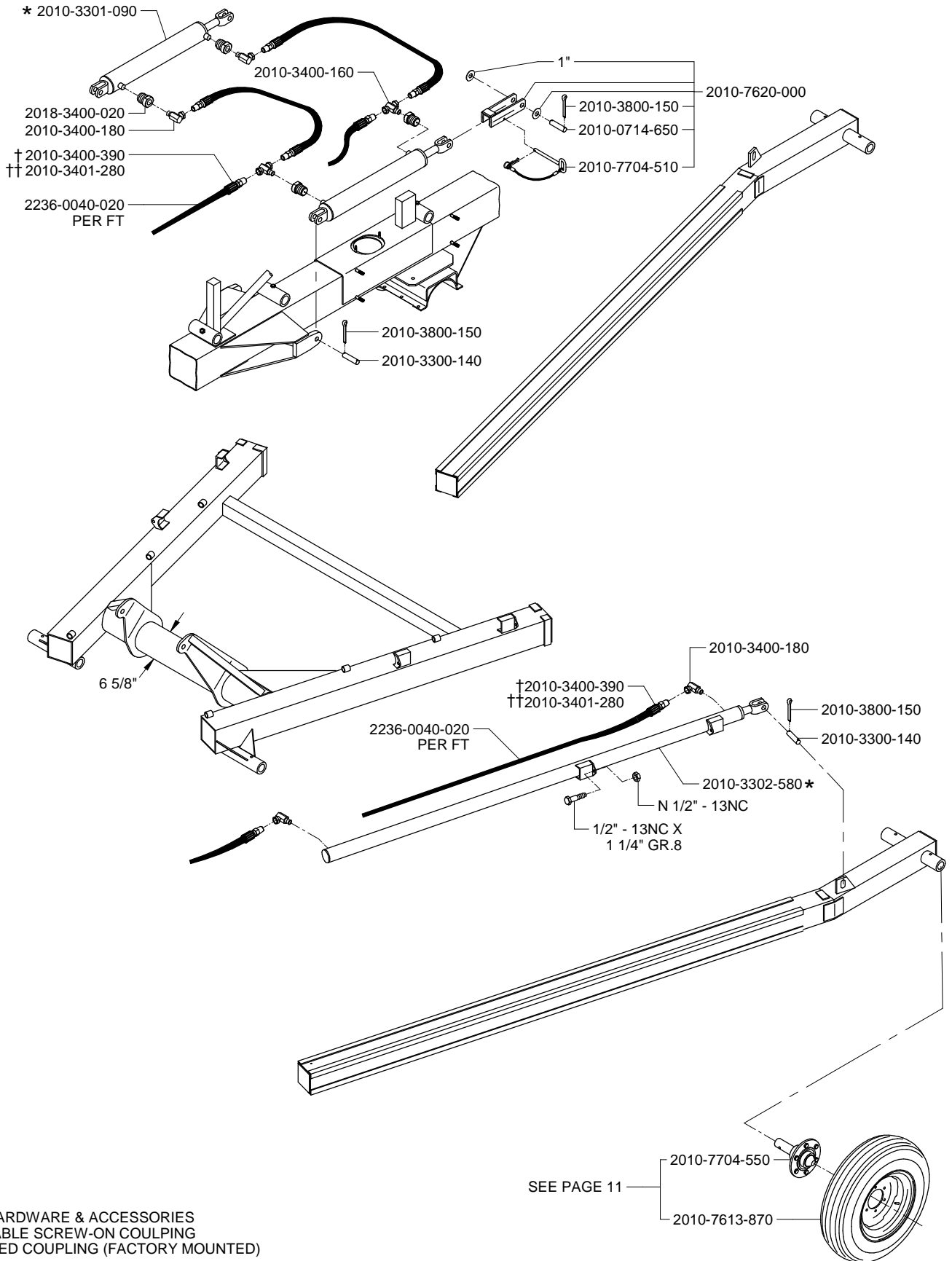
* 2010-3300-130 (Before march 2007)

MULTIPURPOSE UNDERCARRIAGE - 8 5/8" PIVOT



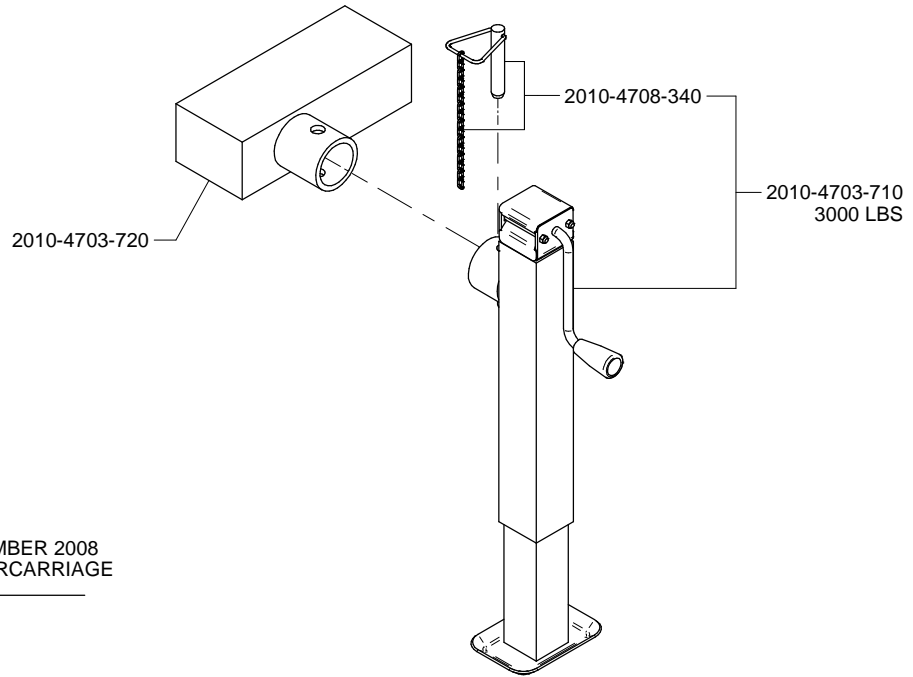
*SEE HARDWARE & ACCESSORIES
 † REUSABLE SCREW-ON COUPLING
 †† CRIMPED COUPLING (FACTORY MOUNTED)

MULTIPOSE UNDERCARRIAGE -6 5/8" pivot before 2002

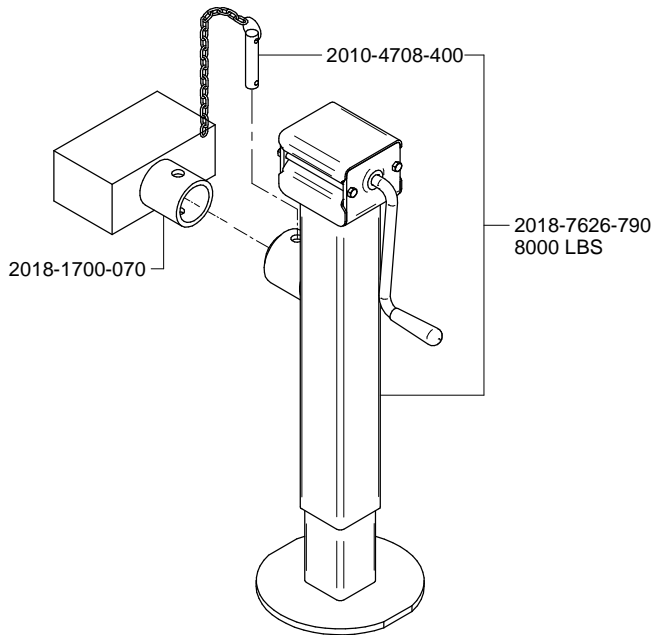


* SEE HARDWARE & ACCESSORIES
 † REUSABLE SCREW-ON COUPLING
 †† CRIMPED COUPLING (FACTORY MOUNTED)

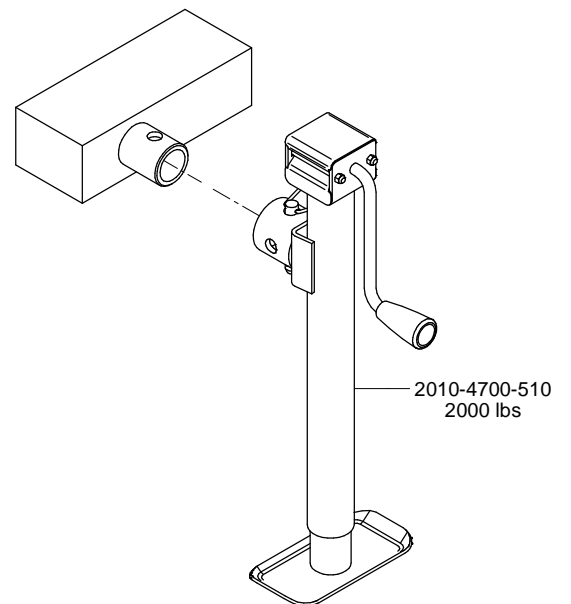
SEE PAGE 11



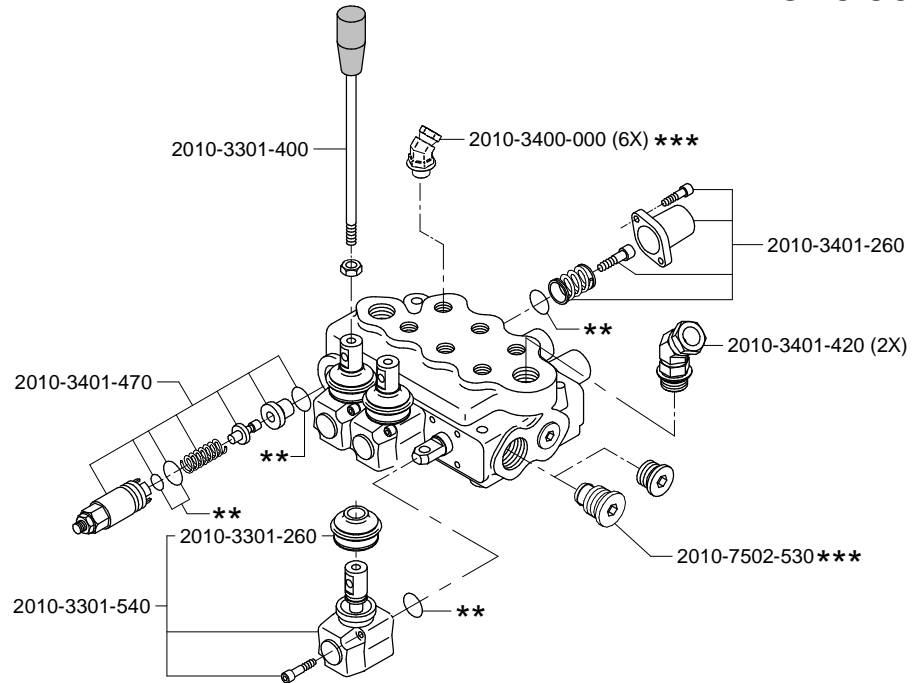
MODEL SUPPLIED SINCE NOVEMBER 2008
WITH THE MULTIPURPOSE UNDERCARRIAGE



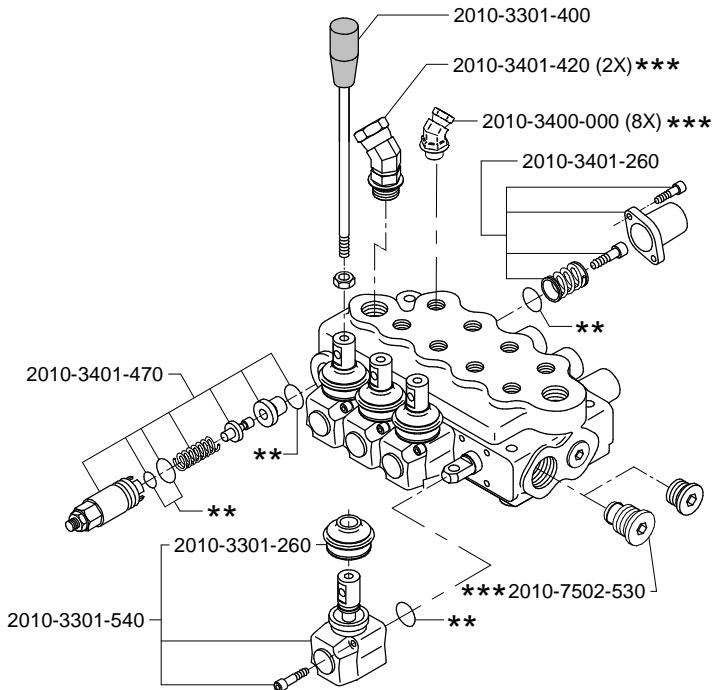
MODEL SUPPLIED BEFORE AUGUST 2001



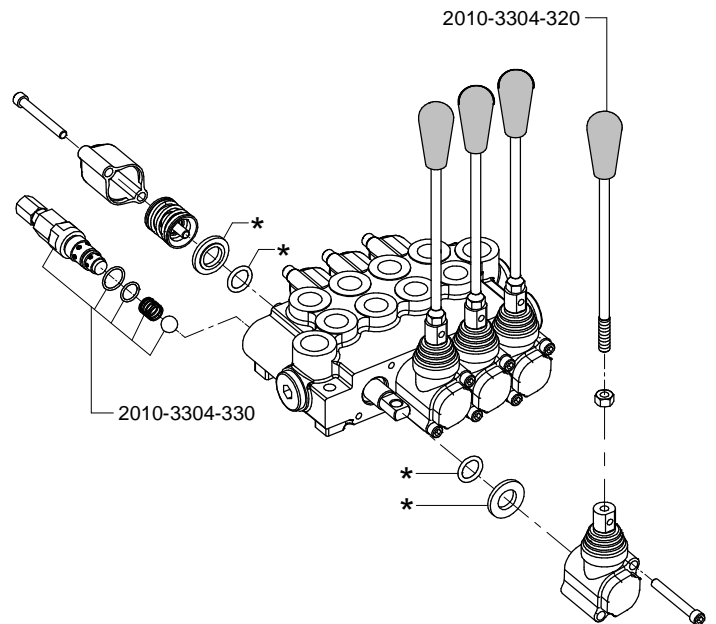
CURRENT MODEL
Complete 3-lever valve
2010-3302-130



SINCE JANUARY 2007
Complete 4-lever valve
2010-3301-050



OLD MODEL TO JANUARY 2006 AT DECEMBER 2006



**2018-3302-010
SEAL KIT (INCLUDES ALL PARTS MARKED WITH A **)
***NOT INCLUDED WITH COMPLETE VALVE

*2010-3304-260
SEAL AND WASHERS KIT (INCLUDES ALL PARTS MARKED WITH A *)

- This lubrication oil tank has been installed on all agitators prior to June 2004.
- If the part you need is not available, refer to the last updated version of the Parts Manual to replace the complete assembly by the new model.

