

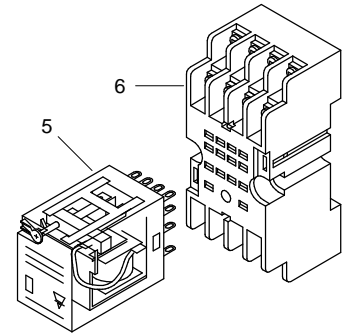
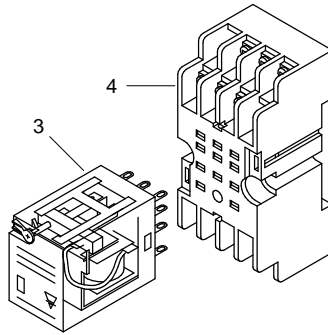
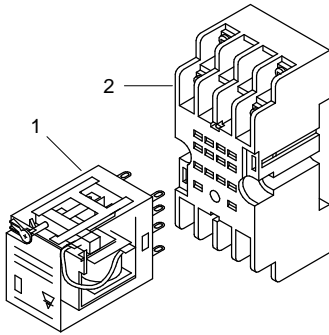
Table of contents.....	01-02
Relays.....	03
Time Delay Relays and Programmable Clock.....	04
Mechanical Switches.....	05
Proximity Switches.....	06
Current Sensor - SSAC.....	07
Fuses & Circuit Breaker.....	08
Cam Selector - Entrelec.....	09
Buttons and Selectors - Telemecanique since 2003.....	10
Automat System - Aromat.....	11
LFS.....	12
Main Board DEMIO.....	13
Sequencer UCC-800.....	14
IVR PRO & IVR PRO MAX@CCESS.....	15

Hardware Identification	
Type	Designation
Hexagonal bolt	-
Carriage bolt	CB
Square head bolt	SB
Socket head cap screw	SCS
Socket head set screw	SSS
Flat head cap screw	FCS
Hexagon nut	-
Hexagon nylon lock nut	N
Hexagon oval lock nut	OVL
Hexagon tri-lock nut	TRI
Castle nut	CSL
Flange nut	FLN
Wing nut	WNG
Flat washer	-
Lock washer	L
SAE washer	SAE
Large ext. dia. washer	LD
Small ext. dia. washer	SD
Stainless steel bolts parts	SS

2-POLE RELAY

3-POLE RELAY

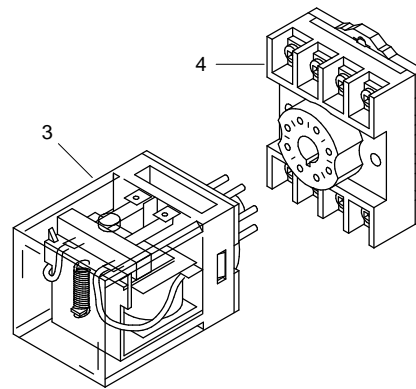
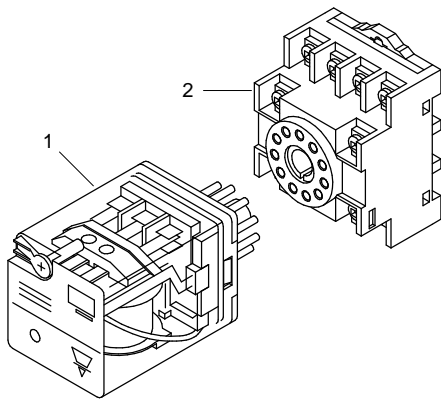
4-POLE RELAY



REF.	DESCRIPTION	HOULE	CARLO GAVAZZI	NAIS / AROMAT	ADVANCE (ACI)	OMRON
1	2-POLE RELAY, 24 VAC COIL 2-POLE RELAY, 24 VDC COIL 2-POLE RELAY, 115 VAC COIL	2005-2900-770 2005-2905-780 2005-2901-060	RMIA210024AC RMIA210024DC RMIA210115AC	HC2-H-AC24V HC2-H-DC24V HC2-H-AC115V	9566A024 ----- 9566A120	MY2-AC24V MY2-DC24V MY2-AC120V
2	SOCKET FOR 2-POLE RELAY	-----	ES15/2N	HC2-SFD-K	PYF08A	PYF08A-E
3	3-POLE RELAY, 24 VAC COIL 3-POLE RELAY, 115 VAC COIL	2005-2905-790 2005-2904-340	RMIA310024AC RMIA310115AC	HC3-H-AC24V HC3-H-AC115V	----- -----	----- -----
4	SOCKET FOR 3-POLE RELAY	2005-2905-440	ES15/3N	HC3-SFD-K	-----	-----
5	4-POLE RELAY, 24 VAC COIL 4-POLE RELAY, 115 VAC COIL	2005-2905-800 2005-2905-810	RMIA410024AC RMIA410115AC	HC4-H-AC24V HC4-H-AC115V	9568A024 9568A120	MY4-AC24V MY4-AC120V
6	SOCKET FOR 4-POLE RELAY	2005-2905-450	ES15/4N	HC4-SFD-K	PYF14A	PYF14A-E

11-PIN RELAY

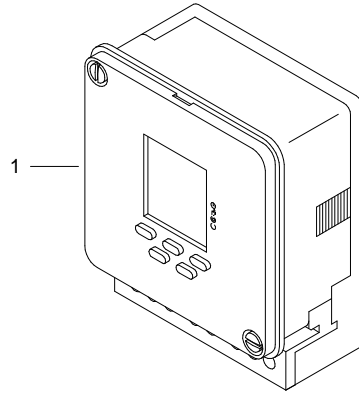
8-PIN RELAY



REF.	DESCRIPTION	HOULE	CARLO GAVAZZI	NAIS / AROMAT	ADVANCE (ACI)	OMRON
1	3-POLE RELAY, 11-PIN, 24 VAC COIL	2005-2905-770	RCP1100324AC	-----	-----	-----
2	SOCKET FOR 11-PIN RELAY		OT11-PC	AT11-RFD	PF113A	-----
3	2-POLE RELAY, 8-PIN, 115 VAC COIL	2013-2901-790	-----	-----	-----	MK2P-S
4	SOCKET FOR 8-PIN RELAY	2005-2902-250	OT08-PC	AT8-RFD	PF083A	-----

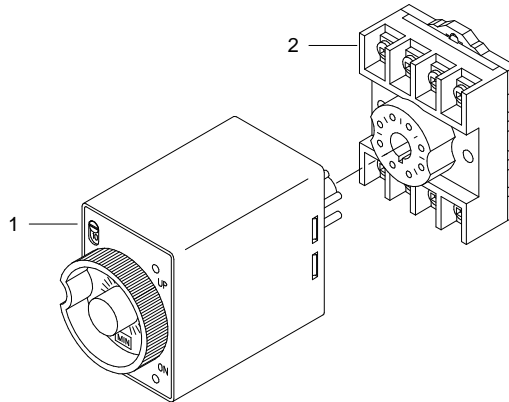
TIME DELAY RELAYS AND PROGRAMMABLE CLOCK

PROGRAMMABLE CLOCK



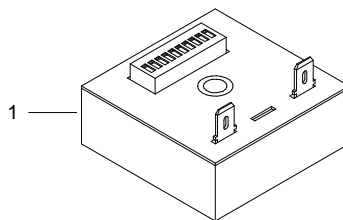
REF.	DESCRIPTION	HOULE	LeGRAND
1	PROGRAMMABLE CLOCK 28 PROGRAMS., 115 VAC	2005-2900-980	49683
	PROGRAMMABLE CLOCK 28 PROGRAMS., 24 VOLT AC/DC	2005-2905-400	49687

ON DELAY TIMER

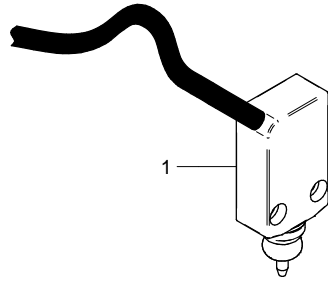


REF.	DESCRIPTION	HOULE	ADVANCE (ACI)	AROMAT	SSAC
1	TIMER 0 - 10 HRS, 24 - 250 VOLT AC/DC	2005-2900-780	8621A240	-----	-----
2	SOCKET FOR 8-PIN RELAY	2005-2902-250	-----	-----	OT08-PC

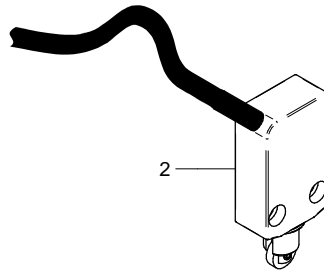
TIME DELAY RELAY AND SOLID STATE TIMER



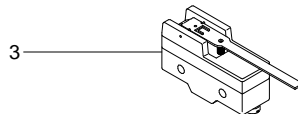
REF.	DESCRIPTION	HOULE	SSAC
1	SOLID STATE TIMER 0.1 - 102.3 SEC., COIL 19 - 144 VOLT AC/DC	-----	TDUL3000A



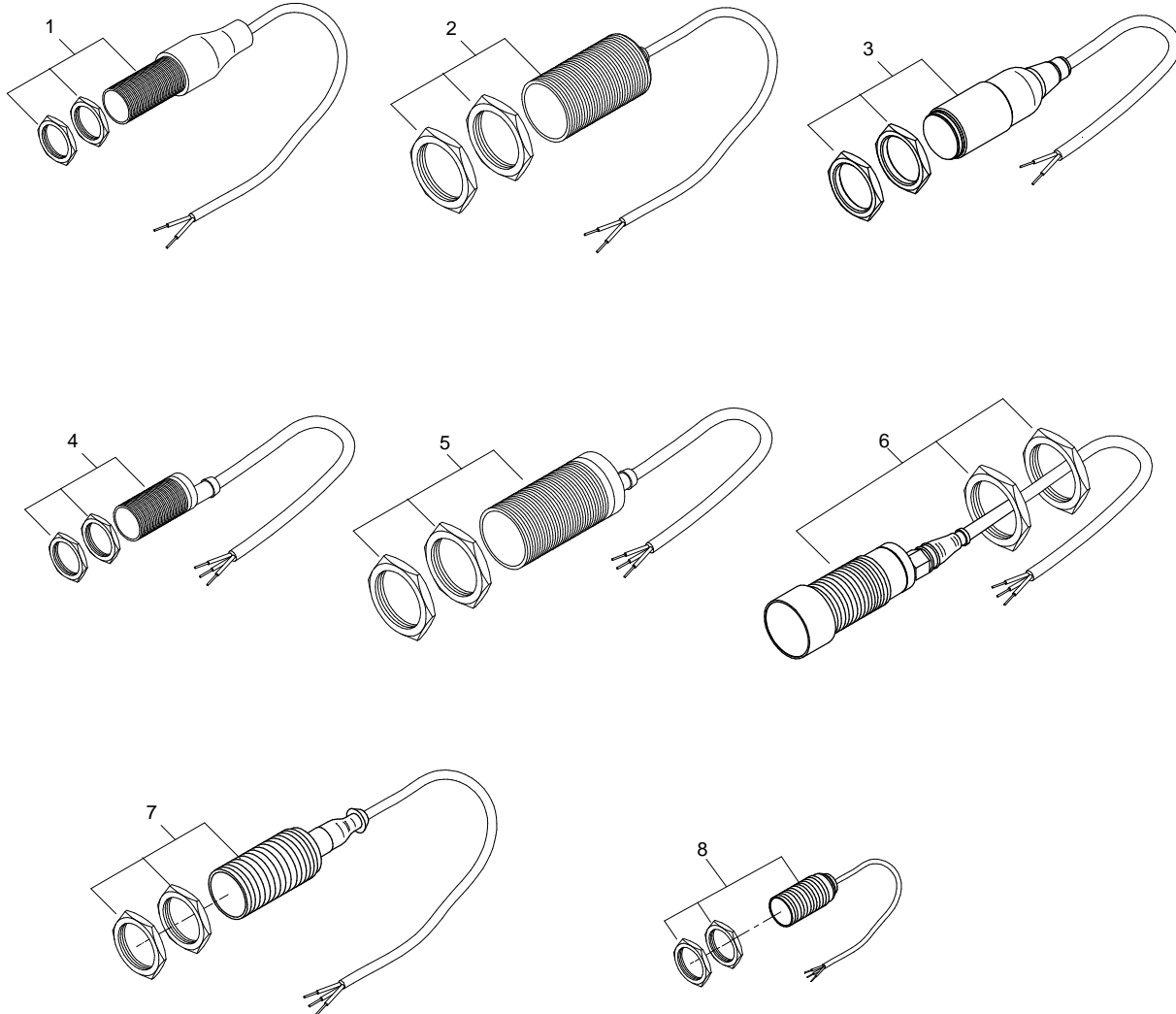
REF.	DESCRIPTION	HOULE	
1	TIP HEAD MECHANICAL SWITCH	2005-2900-090	



REF.	DESCRIPTION	HOULE	
2	ROLLER HEAD MECHANICAL SWITCH	2005-7500-590	

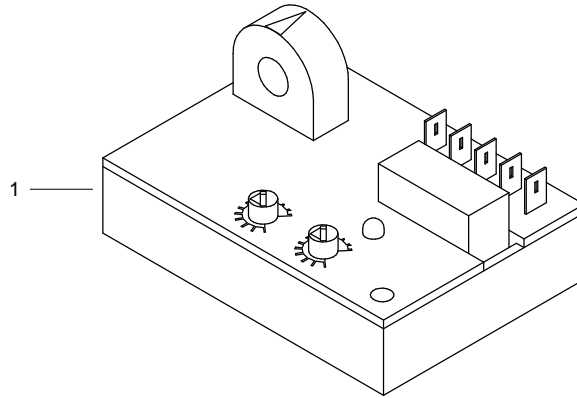


REF.	DESCRIPTION	HOULE	CUTLER-HAMMER
3	STRAIGHT LEVEL LIMIT SWITCH	2019-2905-230	E47BMS22



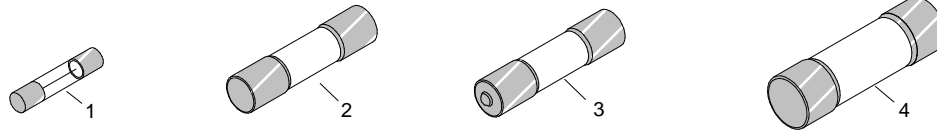
REF.	DESCRIPTION	HOULE	TELEMECANIQUE
1	18mm INDUCTIVE PROXIMITY SWITCH - N/C - 2-WIRE - 24 VAC	2005-2901-050	XS618B1MBL2
2	30mm INDUCTIVE PROXIMITY SWITCH - N/C - 2-WIRE - 24 VAC	2013-2905-370	XS630B1MBL2
3	30mm ULTRASONIC PROBE 3 LEVELS SENSOR (SEPARATOR REGULATOR TANK)	2019-2901-050	XS9V3A1C2M12
4	INDUCTIVE PROBE OF PROXIMITY 12V-48VDC	2013-2901-800	XS518B1VAL2
5	DETECTOR. PROXIMITY, 3-WIRE, PNP, 18mm	2013-2905-360	XS630B1NAL2
6	30mm ULTRASONIC SENSOR 2 LEVELS - 3-WIRE - 24 VDC (Separator Chute)	2019-2902-070	XS230A12PA00M12
7	30mm INDUCTIVE SENSOR - 3-WIRE - 24 VDC (FIT R-300)	2005-2901-830	XS630B1PBM12
8	18mm PROXIMITY SENSOR INDUCTIVE 18MM (CHAIN TRANSMISSION 13MM, H-86 AFTER JANUARY 2017)	2005-2902-020	XS518B1PAL2

CURRENT SENSOR



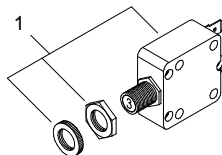
REF.	DESCRIPTION	HOULE	SSAC
1	CURRENT SENSOR 0.5 - 5.0 AMPS - 120 VAC	2005-2901-130	ECS40BC
	CURRENT SENSOR 2.0 - 20.0 AMPS - 120 VAC	2005-2901-120	ECS41BC
	CURRENT SENSOR 0.5 - 5.0 AMPS - 24 VAC (JAPAN)	2005-2905-540	ECS20BC
	CURRENT SENSOR 2.0 - 20.0 AMPS - 24 VAC (JAPAN)	2005-2905-550	ECS21BC

FUSE

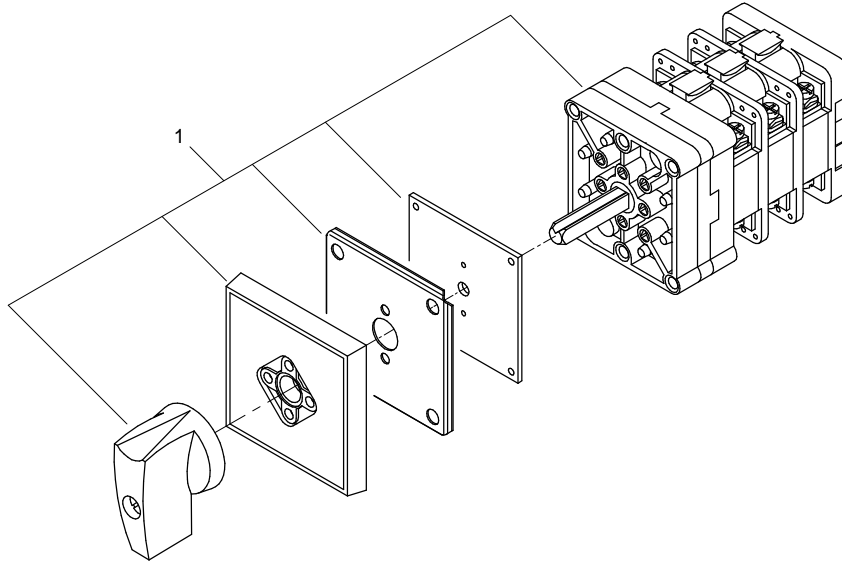


REF.	DESCRIPTION	HOULE	BUSS / EDISON	LITTELFUSE
1	FAST-ACTING FUSE - 1 AMP - 6.5mm x 32mm (1/4" x 1 1/4")	2005-2905-760	AGC 1A	312-1
	FAST-ACTING FUSE - 2 AMP - 6.5mm x 32mm (1/4" x 1 1/4")	-----	AGC 2A	312-2
	FAST-ACTING FUSE - 1 AMP - 5.0mm x 20mm (0.197" x 0.788")	2005-2901-070	GMA 1A	217-1H
	FAST-ACTING FUSE - 2 AMP - 5.0mm x 20mm (0.197" x 0.788")	2005-2900-790	GMA 2A	217-2H
	FAST-ACTING FUSE - 3 AMP - 5.0mm x 20mm (0.197" x 0.788")	2005-2905-410	GMA 3A	217-3H
	FAST-ACTING FUSE - 5 AMP - 5.0mm x 20mm (0.197" x 0.788")	2005-2905-420	GMA 5A	217-5H
			BUSS / EDISON	FERRAZ
2	TIME-DELAY FUSE - 0.25 AMP - 250V - CLASS CC	2005-2905-060	FNM-1/4	TRM-1/4
	TIME-DELAY FUSE - 0.5 AMP - 250V - CLASS CC	2005-2905-070	FNM-1/2	TRM-1/2
	TIME-DELAY FUSE - 0.6 AMP - 250V - CLASS CC	2005-2905-080	FNM-6/10	TRM-6/10
	TIME-DELAY FUSE - 1 AMP - 250V - CLASS CC	2005-2905-100	FNM-1	TRM-1
	TIME-DELAY FUSE - 1.5 AMP - 250V - CLASS CC	2005-2905-110	FNM-1-1/2	TRM-1-1/2
	TIME-DELAY FUSE - 3 AMP - 250V - CLASS CC	2005-2905-140	FNM-3	TRM-3
	TIME-DELAY FUSE - 15 AMP - 250V - CLASS CC	2005-2905-120	FNM-15	TRM-15
	TIME-DELAY FUSE - 20 AMP - 250V - CLASS CC	2005-2905-130	FNM-20	TRM-20
3	TIME-DELAY FUSE - 0.25 AMP - 600V - CLASS CC	2005-2905-160	FNQ-R-1/4	ATQR-1/4
	TIME-DELAY FUSE - 0.3 AMP - 600V - CLASS CC	2005-2905-190	FNQ-R-3/10	ATQR-3/10
	TIME-DELAY FUSE - 0.4 AMP - 600V - CLASS CC	2005-2905-200	FNQ-R-4/10	ATQR-4/10
	TIME-DELAY FUSE - 0.5 AMP - 600V - CLASS CC	2005-2905-150	FNQ-R-1/2	ATQR-1/2
	TIME-DELAY FUSE - 0.6 AMP - 600V - CLASS CC	2005-2905-220	FNQ-R-6/10	ATQR-6/10
	TIME-DELAY FUSE - 0.8 AMP - 600V - CLASS CC	2005-2905-230	FNQ-R-8/10	ATQR-8/10
	TIME-DELAY FUSE - 6 AMP - 600V - CLASS CC	2005-2905-210	FNQ-R-6	ATQR-6
	TIME-DELAY FUSE - 10 AMP - 600V - CLASS CC	2005-2905-170	FNQ-R-10	ATQR-10
	TIME-DELAY FUSE - 15 AMP - 600V - CLASS CC	2005-2905-180	FNQ-R-15	ATQR-15
	4	TIME-DELAY FUSE - 40 AMP - 600V - CLASS J	2005-2905-020	----
TIME-DELAY FUSE - 50 AMP - 600V - CLASS J		2005-2905-030	----	AJT50
TIME-DELAY FUSE - 60 AMP - 600V - CLASS J		2005-2905-040	----	AJT60
TIME-DELAY FUSE - 80 AMP - 600V - CLASS J		2005-2905-050	----	AJT80
TIME-DELAY FUSE - 100 AMP - 600V - CLASS J		2005-2905-000	----	AJT100
TIME-DELAY FUSE - 225 AMP - 600V - CLASS J		2005-2905-010	----	AJT225

CIRCUIT BREAKER

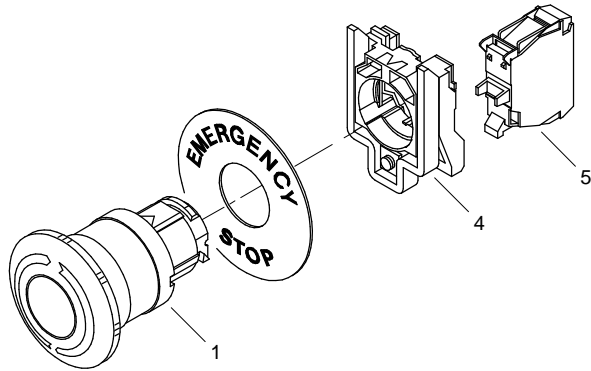


REF.	DESCRIPTION	HOULE	POTTER & BRUMFIELD
1	3 AMPS CIRCUIT BREAKER	2005-2901-010	W58-XB1A4A-3

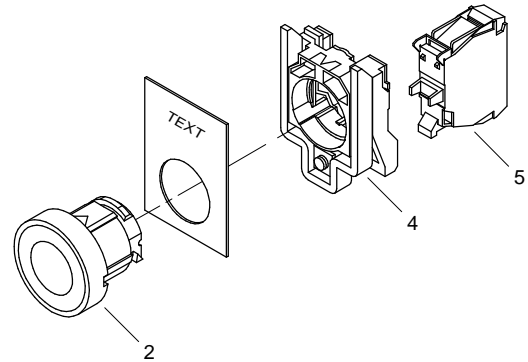


REF.	DESCRIPTION	HOULE	ENTRELEC
1	CAM SELECTOR (1 - 2 - 3 - 4 - 1+2 - 3+4)	-----	VY20-240
	CAM SELECTOR (1 - 2 - 3 - 1+2+3)	-----	VY20-245
	CAM SELECTOR (0 - 1 - 2 - 3 - 4 - 5 - 1+2 - 3+4)	-----	VY20-251
	CAM SELECTOR (0 - 1 - 2 - 3 - 1+2 - 2+3)	-----	VY20-252
	CAM SELECTOR (1 - 2 - 3 - 4 - 1+2 - 2+3)	-----	VY20-255
	CAM SELECTOR (5+6 - 7+8)	-----	VY20-256
	CAM SELECTOR (0 - 1 - 2 - 3 - 4 - 1+2 - 2+3 - 3+4)	-----	VY20-257

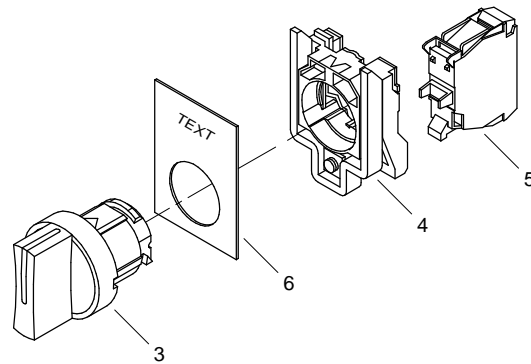
MUSHROOM HEAD BUTTON



PUSH BUTTON

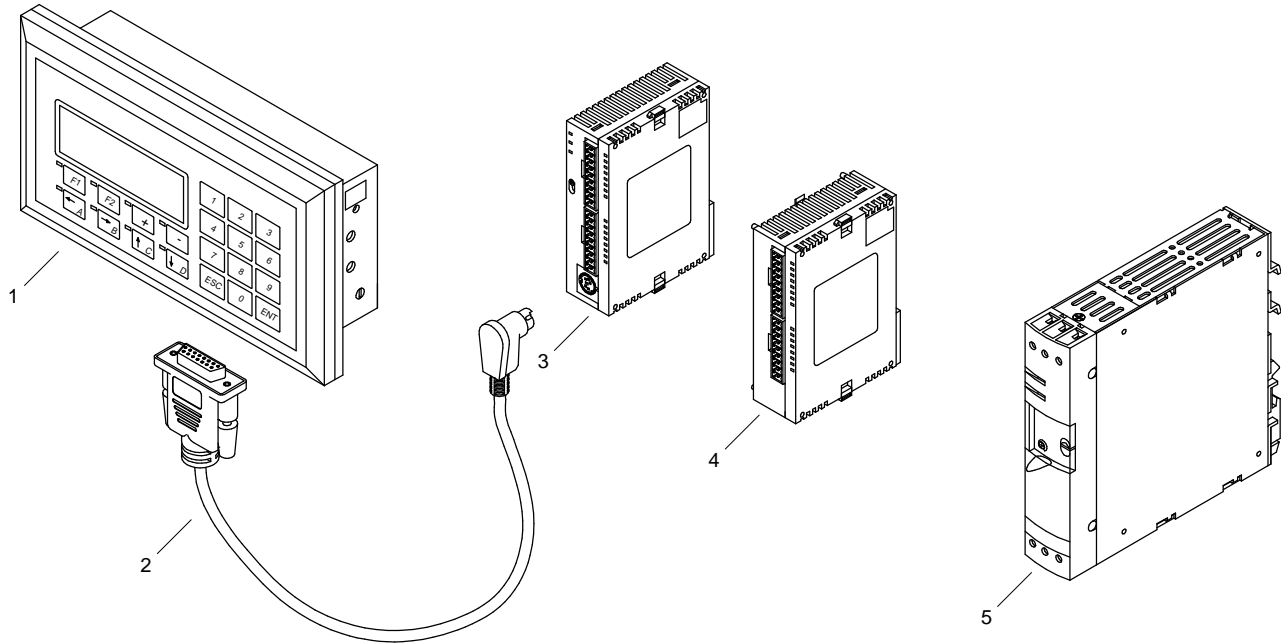


MULTI-POSITION SELECTOR



REF.	DESCRIPTION	HOULE	TELEMECANIQUE
1	MUSHROOM HEAD BUTTON	2005-2905-650	ZB4B5844
2	PUSH BUTTON (GREEN) PUSH BUTTON (RED)	----- -----	ZB4BA3 ZB4BA4
3	3-POSITION SELECTOR	2005-2905-620	ZB4BD3
4	MOUNTING ADAPTOR	2005-2905-660	ZB4BZ009
5	SINGLE CONTACT BLOCK N/O - GREEN TAB SINGLE CONTACT BLOCK N/C - RED TAB	2005-2905-630 2005-2905-640	ZBE101 ZBE102
6	I.D. PLATE - SPECIFY TEXT	-----	PLQ-2101
7	I.D. PLATE - ARRÊT D'URGENCE I.D. PLATE - EMERGENCY STOP	----- -----	ZB2BY9130 ZB2BY9330

AUTOMAT SYSTEM



REF.	DESCRIPTION	HOULE	OMRON	TELEMECAN.
1	KEYBOARD WITH LCD SCREEN *** FOR HYDRAULIC SYSTEM ***	Obsolete	ATM-40-H	-----
	KEYBOARD WITH LCD SCREEN *** FOR MASTER / SLAVE SYSTEM ***	Obsolete	ATM-40-MS	-----
2	LINK CABLE - 1.5M - FPO/2 @ ATM	Obsolete	AFC-15215-US	-----
3	AUTOMAT - 8 IN (DC) / 8 OUT (RELAY) *** FOR HYDRAULIC SYSTEM ***	Obsolete	FPO-C14RS-H	-----
	AUTOMAT - 8 IN (DC) / 8 OUT (RELAY) *** FOR MASTER / SLAVE SYSTEM ***	Obsolete	FPO-C14RS-MS	-----
4	EXPENSION MODULE - 4 IN (DC) / 4 OUT (RELAY)	Obsolete	FPO-E8RS	-----
	EXPENSION MODULE - 8 IN (DC) / 8 OUT (RELAY)	Obsolete	FPO-E16RS	-----
5	POWER SUPPLY PHASEO - 120 VAC @ 24 VDC	Obsolete	-----	ABL7RE2403

Free Stall Cleaner Model
2005-2905-820

Crusher Model
2019-2901-020

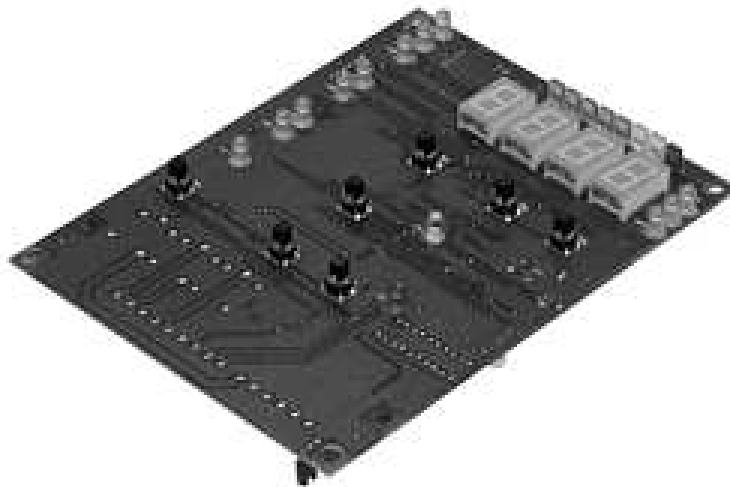


Free Stall Cleaner Model
2005-2905-860
(300/600 volt)
Crusher Model
2005-2905-870 (300/600 volt)

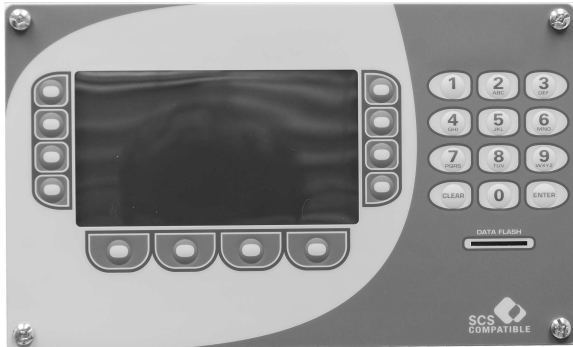


Free Stall Cleaner Model
2005-2905-830
(0/300 volt)

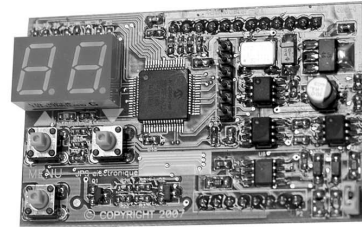




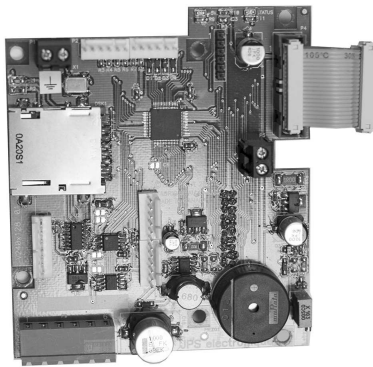
INTERFACE
2005-2901-710



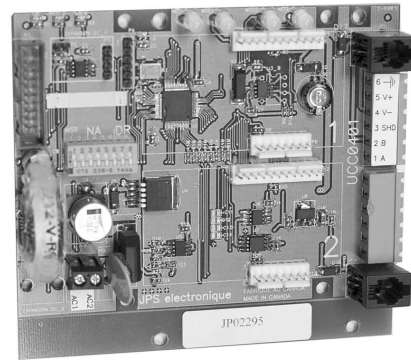
RS-485
2005-2901-690



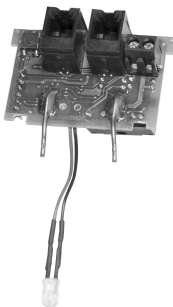
VIDEO CARD
2005-2901-740



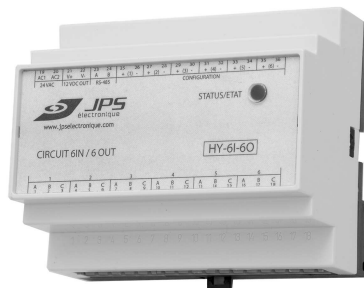
MOTHERBOARD
2005-2901-760



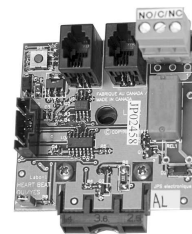
INTELLIGENT SWITCH
2005-2901-660



I/O MODULE
2005-2901-730




ALARM SWITCH
2005-2912-370



UCC-450
 2005-2901-530 (Control panel)
 2005-4703-990 (Sticker)

For all Max Access control panel




The image shows a UCC-450 control panel. It features a central LCD screen with the 'DEMIO' logo above it. To the right of the screen is a numeric keypad with letters (ABC, DEF, GHI, JKL, MNO, PQRS, TUV, WXYZ) and function keys like 'OFF', 'ON', 'STOP', 'RESET', and 'HOME'. Below the keypad are four directional arrow keys. The panel has a power button at the top left and a 'SCS COMPATIBLE' logo at the bottom left. The model number 'UCC-450' is printed at the bottom right.

UCC-100 Standard Model
 2005-2901-540
 - For Cable Drive Unit
 - Fit R-300

- 7/8" Chain Drive Unit or Pintle Chain before January 2017

UCC-100 Encoder Model
 2005-2901-750
 - 13mm Chain Drive Unit
 - 7/8" Chain Drive Unit or Pintle Chain after January 2017

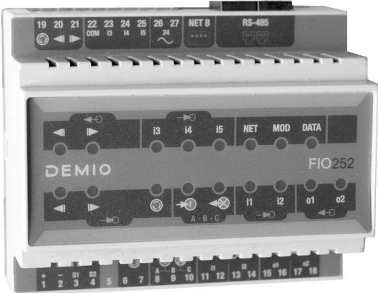


The image shows a UCC-100 control panel. It has a small LCD screen with 'DEMIO' above it. Below the screen are three large buttons: a menu button (three horizontal lines), a minus sign, and a plus sign, followed by a gear icon for settings. The panel has a 'NET' indicator light and a 'MOD' indicator light on the right side. The model number 'UCC100' is printed at the top left. The bottom of the panel shows terminal blocks for 'T1', 'T2', 'T3', 'T4', 'T5', and 'T6'.

FIO-152
 2005-2901-560
 - For model Cable Drive Unit
 - 7/8" Chain Drive Unit or Pintle Chain before January 2017

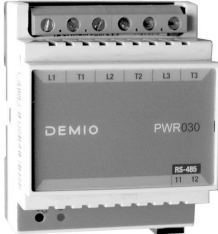
FIO-252
 2005-2901-570
 - For model 13mm Chain Drive Unit
 - 7/8" Chain Drive Unit or Pintle Chain after January 2017

FIO-452
 2005-2902-410
 - Fit R-300



The image shows an FIO control panel. It features a large terminal block at the top with terminals labeled 19 through 27, 'NET B', and 'RS-485'. Below the terminal block are several indicator lights and buttons. The panel has 'DEMIO' and 'FIO-252' printed on it. The bottom of the panel shows terminal blocks for 'A', 'B', 'C', 'T1', 'T2', 'T3', 'T4', 'T5', and 'T6'.

PWR-030
 2005-2901-550
 Load sensor for all types of IVR control panel



The image shows a PWR-030 load sensor. It is a rectangular device with a terminal block at the top labeled 'L1', 'T1', 'L2', 'T2', 'L3', 'T3'. The front panel has 'DEMIO' and 'PWR030' printed on it. The bottom of the panel shows terminal blocks for 'T1', 'T2', and 'T3'.