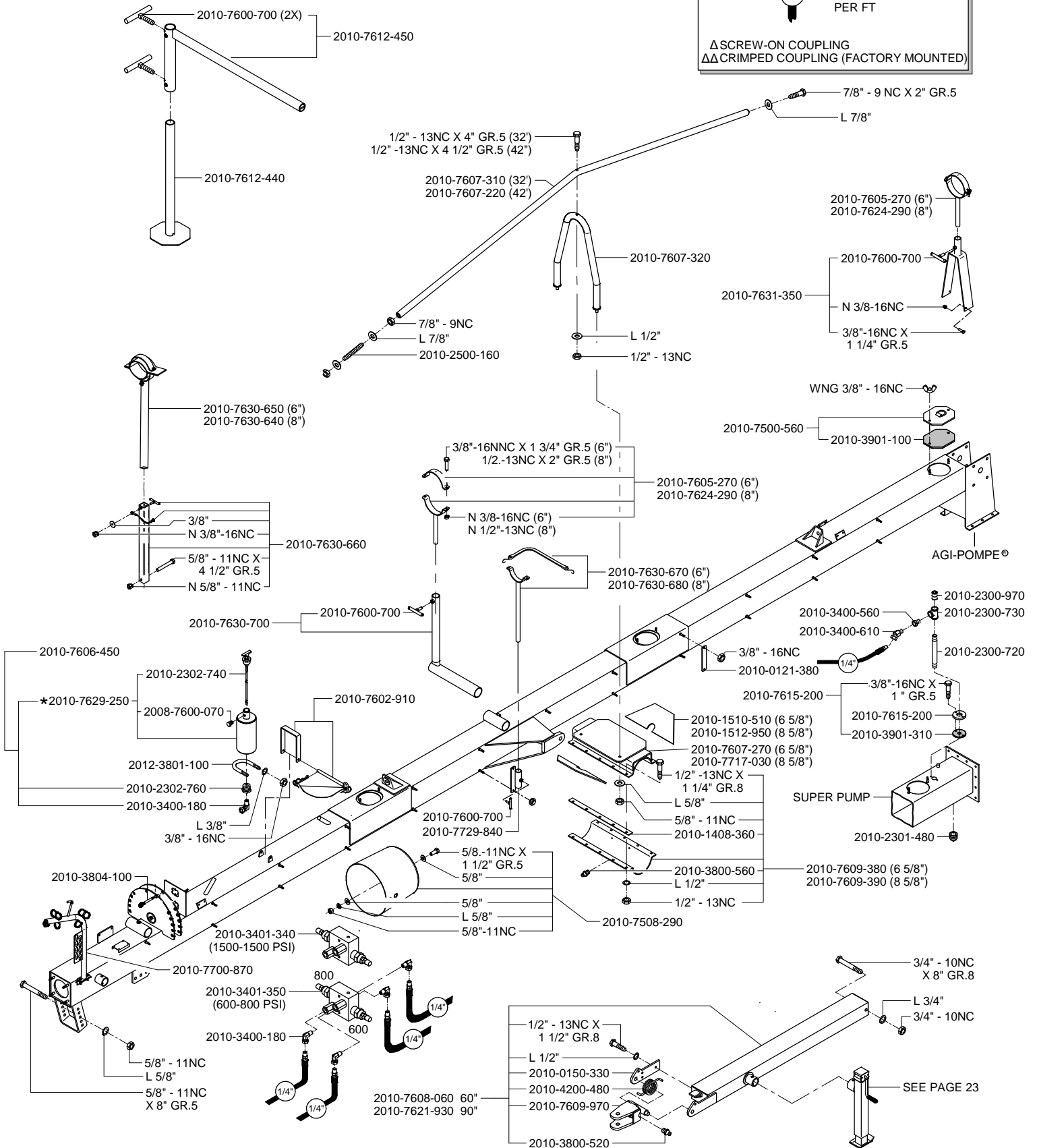


Table of contents.....	01
Hardware identification table.....	02
32' & 42' Lagoon Pump.....	03
52' Lagoon Pump.....	04
Drive shaft.....	05
Drive shaft - Old models.....	06
Gear Box #300 - Lagoon Agi-Pompe before 2005.....	07
Gear Box #300 - Lagoon Agi-Pompe.....	08
Bearing Housing - Lagoon Super Pump.....	09
Propeller, Impeller, Housing & Bottom Plate - Lagoon Agi-pompe.....	10
Articulated options.....	11
Impeller, Housing & Bottom Plate - Lagoon Super Pump.....	12
6" Directional Valve & Agitation nozzle.....	13
6" Directional Valve & Agitation Nozzle - Old Model.....	14
8" Directional Valve & Agitation Nozzle.....	15
Articulated joint.....	16
Undercarriage - 6 5/8" pivot.....	17
Heavy Duty Undercarriage - 8 5/8" Pivot.....	18
Heavy Duty Undercarriage 4' Wider - 8 5/8" Pivot.....	19
Heavy Duty Undercarriage - With articulated Stabilizer Wheels.....	20
Multipurpose Undercarriage - 8 5/8" Pivot.....	21
Multipurpose Undercarriage - 6 5/8" Pivot before 2002.....	22
Jacks.....	23
Hydraulic Control.....	24
Solénoid Valves.....	25
Remote.....	26
Gearbox # 350.....	27
Oil Cooling.....	28
Lubrification Oil Tank.....	A
Impeller, Housing & Bottom Plate Before April 2005.....	B
Hydraulic motor, Before june 2014.....	C
Remotes before february 2017.....	D

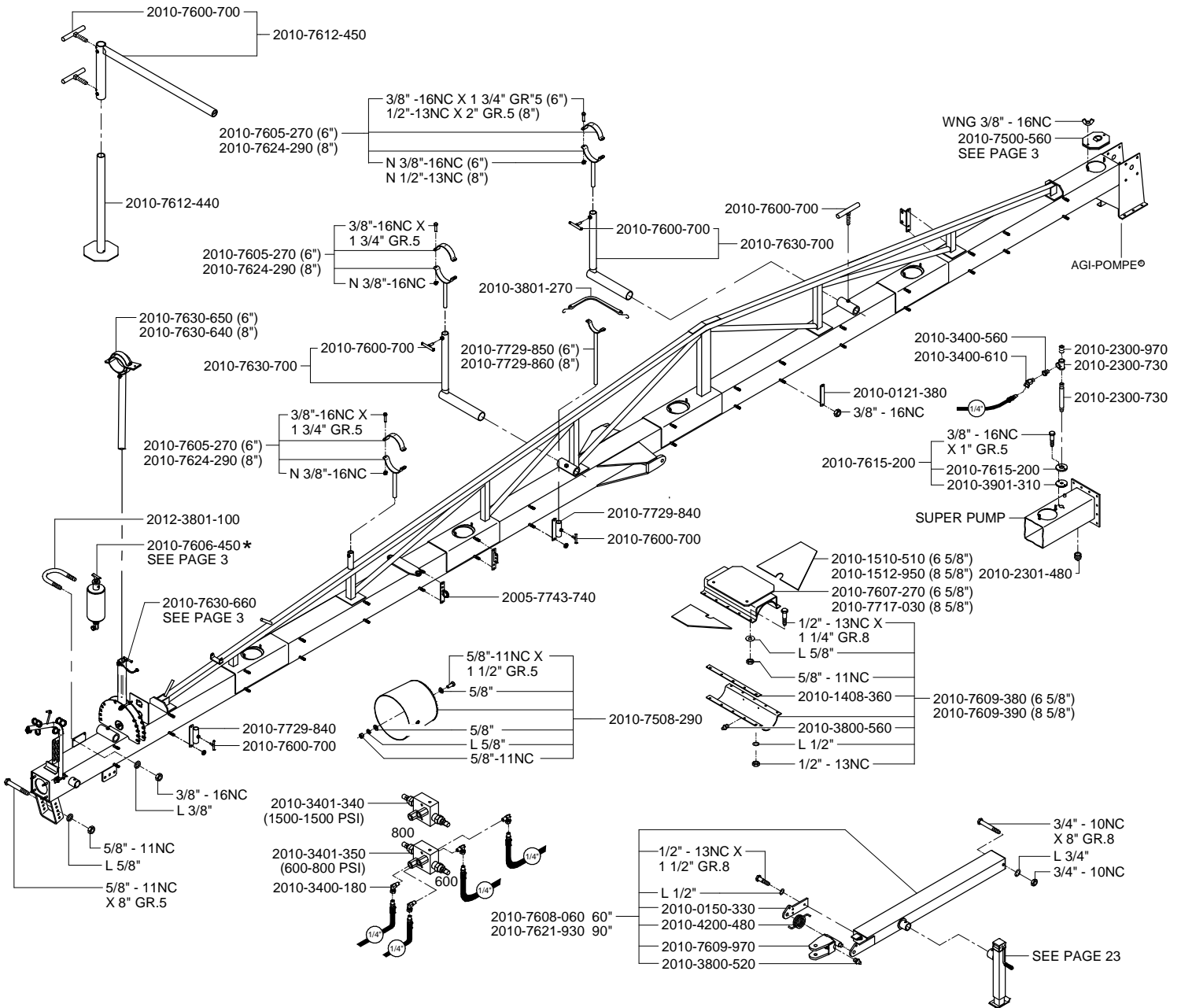
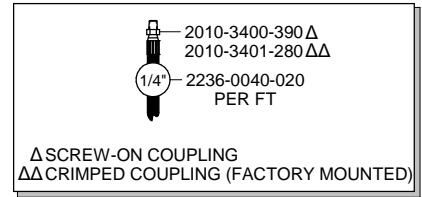
Hardware Identification	
Type	Designation
Hexagonal bolt	-
Carriage bolt	CB
Square head bolt	SB
Socket head cap screw	SCS
Socket head set screw	SSS
Flat head cap screw	FCS
Hexagon nut	-
Hexagon nylon lock nut	N
Hexagon oval lock nut	OVL
Hexagon tri-lock nut	TRI
Castle nut	CSL
Flange nut	FLN
Wing nut	WNG
Flat washer	-
Lock washer	L
SAE washer	SAE
Large ext. dia. washer	LD
Small ext. dia. washer	SD
Stainless steel bolts parts	SS

32' & 42' LAGOON PUMP

2010-3400-390 Δ
 2010-3401-280 ΔΔ
 1/4" 2236-0040-020
 PER FT
 Δ SCREW-ON COUPLING
 ΔΔ CRIMPED COUPLING (FACTORY MOUNTED)

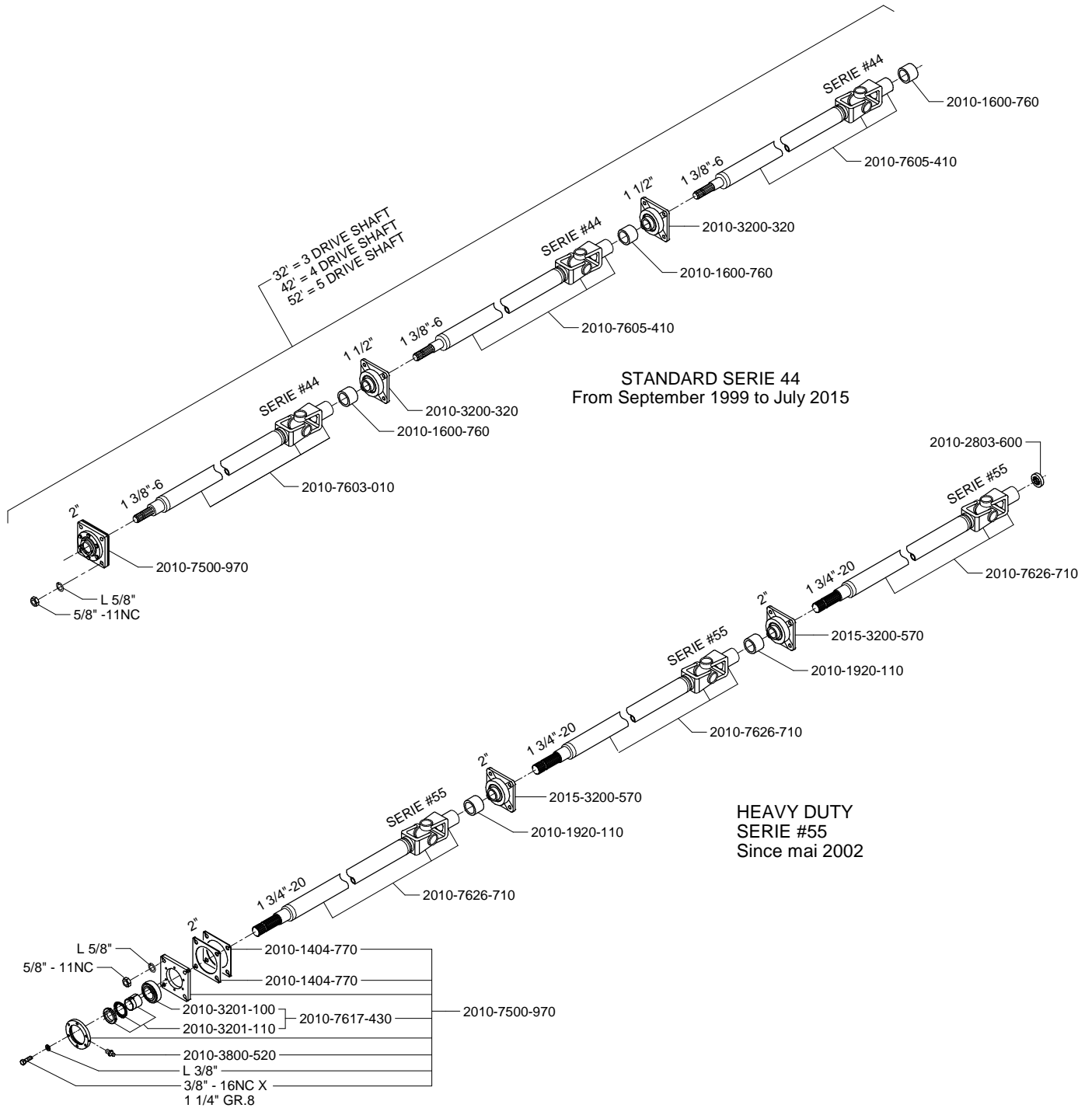


*REPLACE OLD MODEL (see page A)

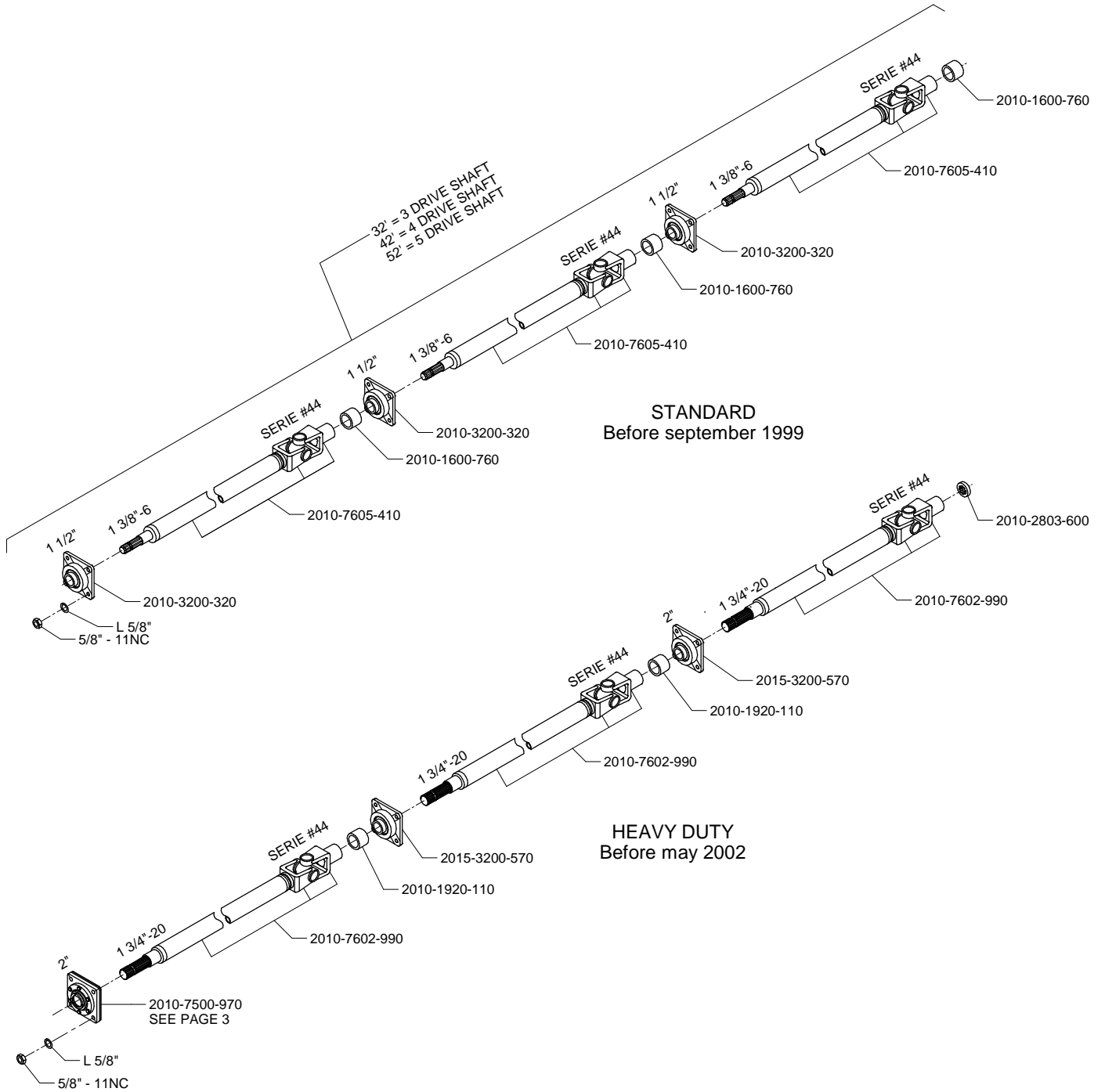


* REPLACE OLD MODEL (see page A)

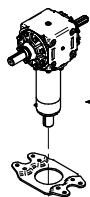
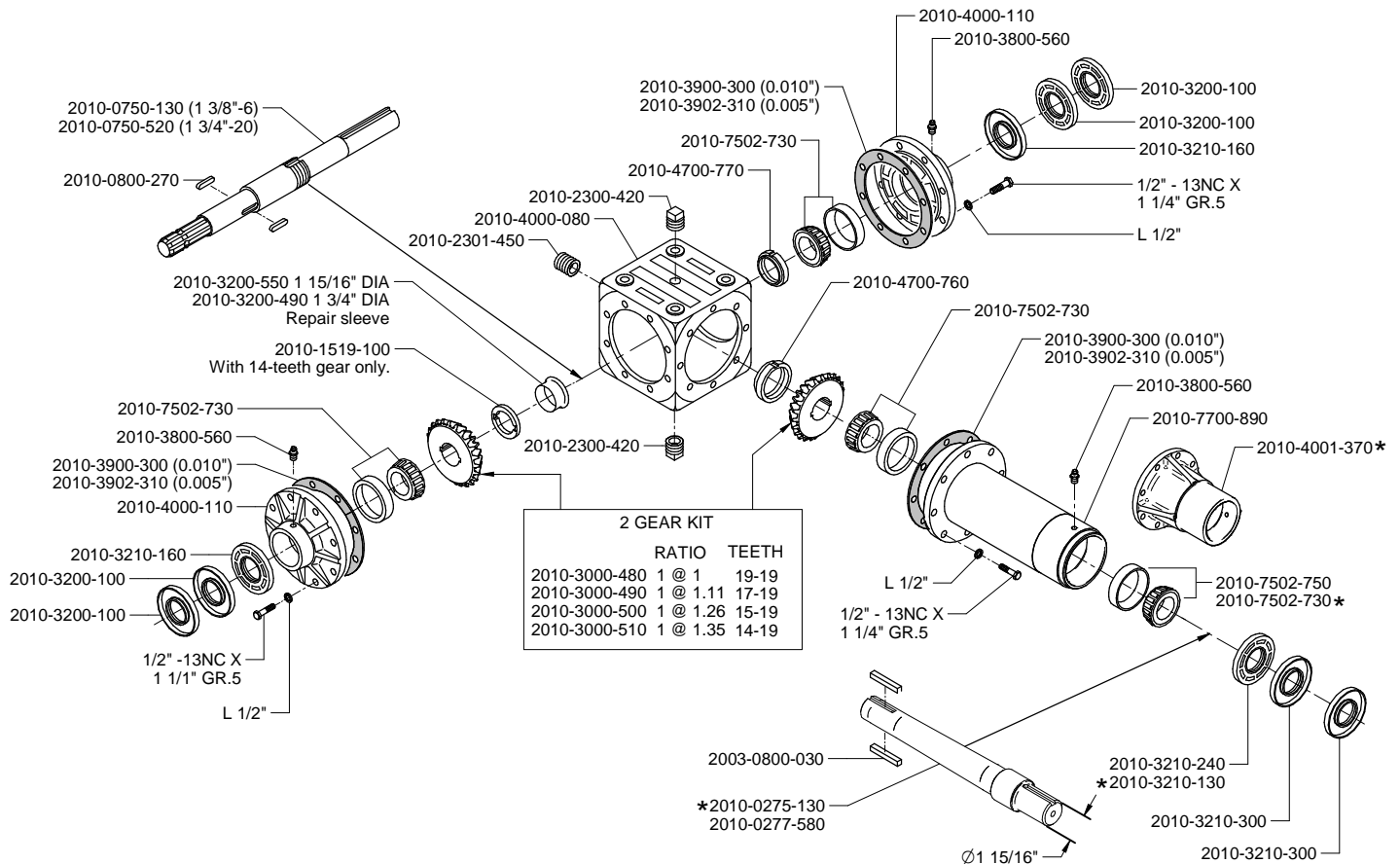
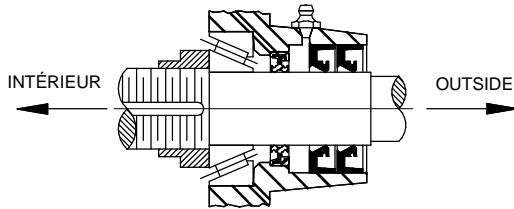
SEE HARDWARE & ACCESSORIES PAGE 1 FOR DRIVE SHAFT SPARE PARTS



SEE HARDWARE & ACCESSORIES PAGE 1 FOR DRIVE SHAFT SPARE PARTS



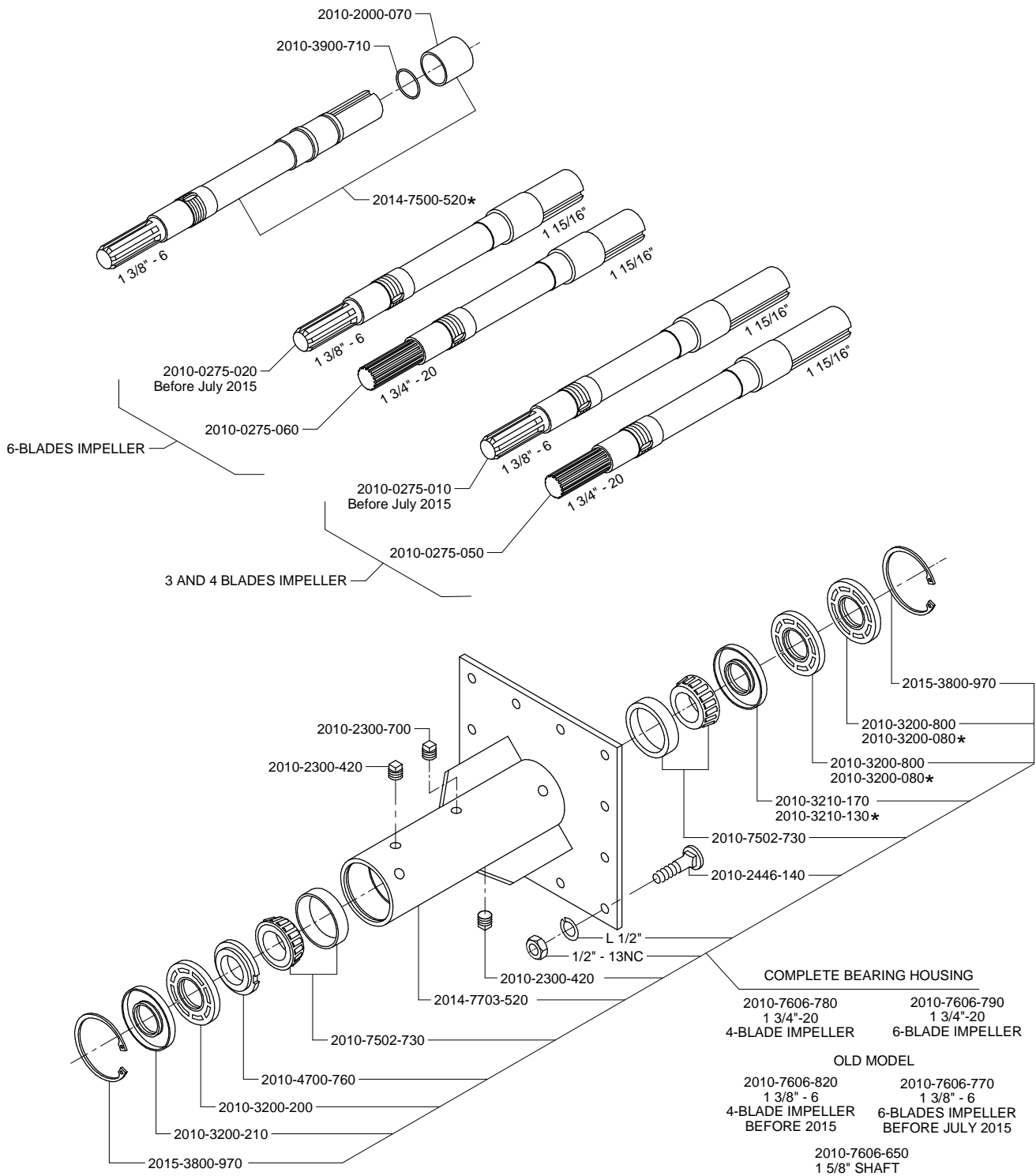
INSTALLATION OF SEALS



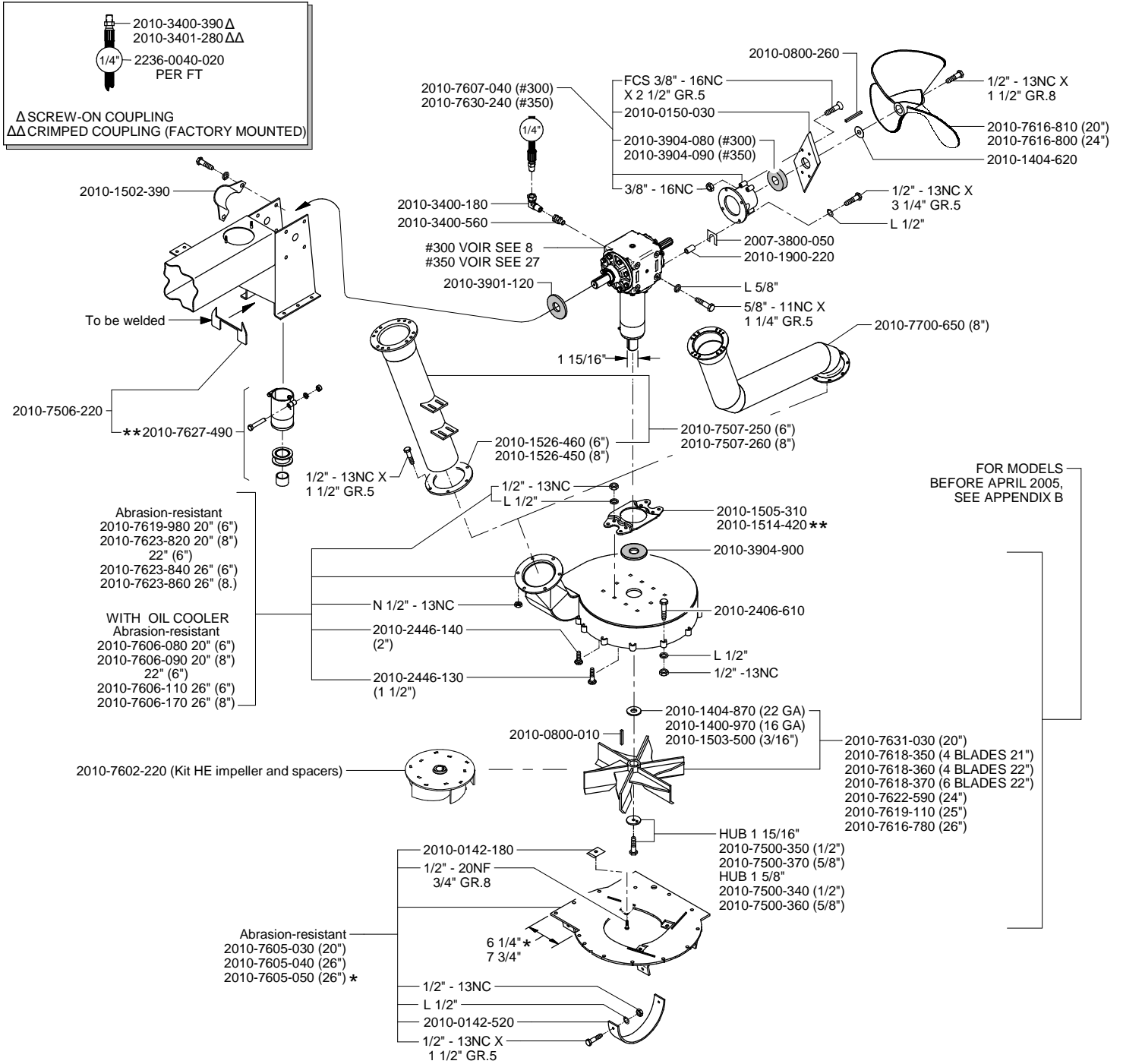
Complete gearbox since August, 2012				
Ø SHAFT	RATIO 1 @ 1	RATIO 1 @ 1.11	RATIO 1 @ 1.26	RATIO 1 @ 1.35
1 3/4"	2010-2805-410	2010-2805-720 (+10%)	2010-2805-760 (+26%)	
1 3/4"		2010-2805-740 (-10%)	2010-2805-780 (-26%)	
Complete gearbox from August 2012 to July 2015				
1 3/8"	2010-2805-400	2010-2805-710 (+10%)	2010-2805-750 (+26%)	
1 3/8"		2010-2805-730 (-10%)	2010-2805-770 (-26%)	
Complete gearbox from April 2005 until August 2012				
1 3/8"	2010-2805-280	2010-2805-300 (+10%)	2010-2805-340 (+26%)	2010-2805-380 (-35%)
1 3/4"	2010-2805-290	2010-2805-310 (+10%)	2010-2805-350 (+26%)	2010-2805-390 (-35%)
1 3/8"		2010-2805-320 (-10%)	2010-2805-360 (-26%)	
1 3/4"		2010-2805-330 (-10%)	2010-2805-370 (-26%)	
Replacement kit (fixing plate and complete gearbox) from April 2005 until August 2012				
1 3/8"	2010-7500-400	2010-7500-420 (+10%)	2010-7500-460 (+26%)	
1 3/4"	2010-7500-410	2010-7500-430 (+10%)	2010-7500-470 (+26%)	
1 3/8"		2010-7500-440 (-10%)	2010-7500-480 (-26%)	
1 3/4"		2010-7500-450 (-10%)	2010-7500-490 (-26%)	

* Model from 2005 to 2012

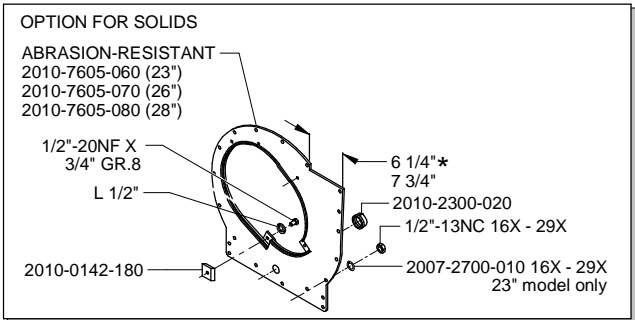
BEARING HOUSING - Lagoon Super pump



PROPELLER, IMPELLER, HOUSING & BOTTOM PLATE - Lagoon Agi-Pompe



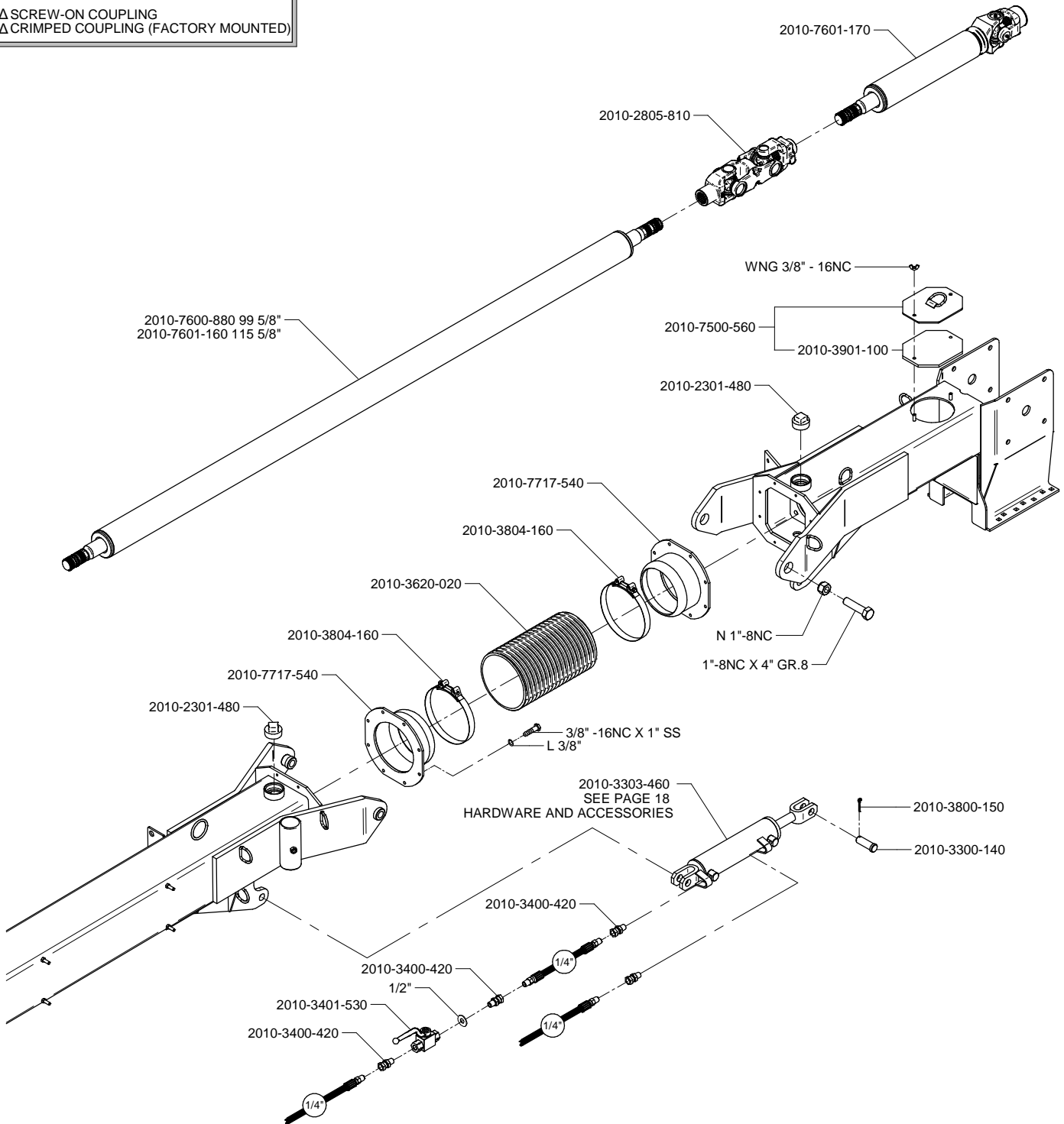
FOR MODELS BEFORE APRIL 2005, SEE APPENDIX B



* BEFORE JUNE 2001
 ** OLD MODEL BEFORE AUGUST 2012

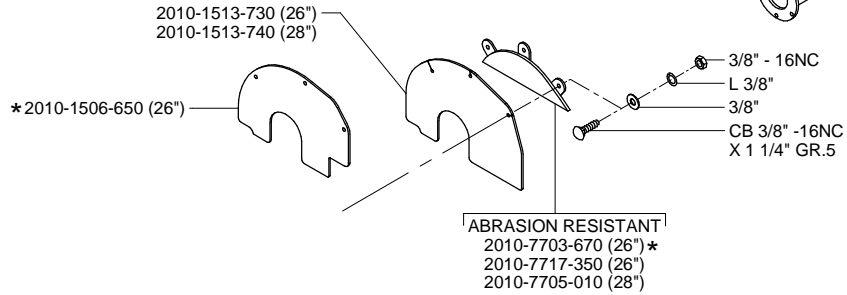
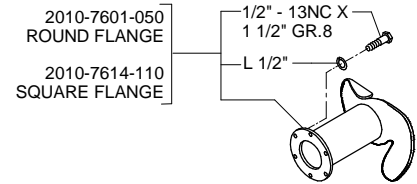
2010-3400-390Δ
 2010-3401-280ΔΔ
 1/4" 2236-0040-020
 PER FT

Δ SCREW-ON COUPLING
 ΔΔ CRIMPED COUPLING (FACTORY MOUNTED)



IMPELLER, HOUSING & BOTTOM PLATE - Lagoon Super Pump

2010-3400-390 Δ
 2010-3401-280 ΔΔ
 2236-0040-020
 PER FT
 Δ SCREW-ON COUPLING
 ΔΔ CRIMPED COUPLING (FACTORY MOUNTED)



- 6 BLADES**
- 1 5/8" SHAFT
 2010-7602-460 (25")
 2010-7616-530 (26")
 2014-7610-620 (27")
 2010-7600-780 (28")
- 1 15/16" SHAFT
 2010-7601-890 (20") **
 2010-7619-110 (25")
 2010-7616-780 (26")
 2010-7623-180 (27")
 2010-7616-350 (28")

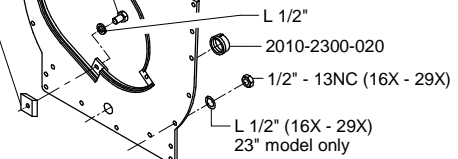
- ABRASION-RESISTANT**
- 2010-7601-660 (20") **
 2010-7623-270 (23") ***
 2010-7619-560 (26") *
 2010-7621-870 (26")
 2010-7619-330 (28")

1/2" - 20NF
X 3/4" GR.8

2010-0142-180

2010-3900-070

- SHAFT 1 5/8"**
- 2010-1400-960 16GA
 2010-1404-865 22GA
 2010-1503-490 3/16"
SHAFT 1 15/16"
 2010-1400-970 16GA
 2010-1404-870 22GA
 2010-1503-500 3/16"

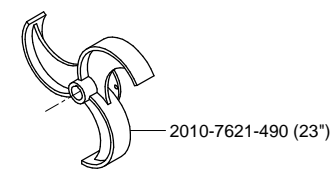
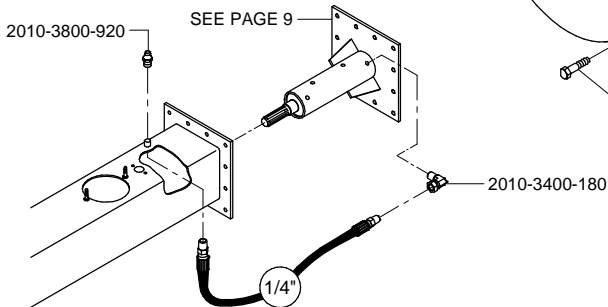


	SHAFT	BOLTS
2010-7500-340	Ø1 5/8"	1/2"
2010-7500-350	Ø1 5/16"	1/2"
2010-7500-360	Ø1 5/8"	5/8"
2010-7500-370	Ø1 5/16"	5/8"

- ABRASION-RESISTANT**
- 6" 2010-1521-220
 8" 2010-1951-560
 2010-2446-140
 2007-2700-010
 2004-2605-070
- 2010-7601-650 (20") **
 2010-7623-280 (23") ***
 2010-7623-880 (26") 6"
 2010-7623-920 (26") 8"
 2010-7623-900 (28") 6"
 2010-7623-940 (28") 8"

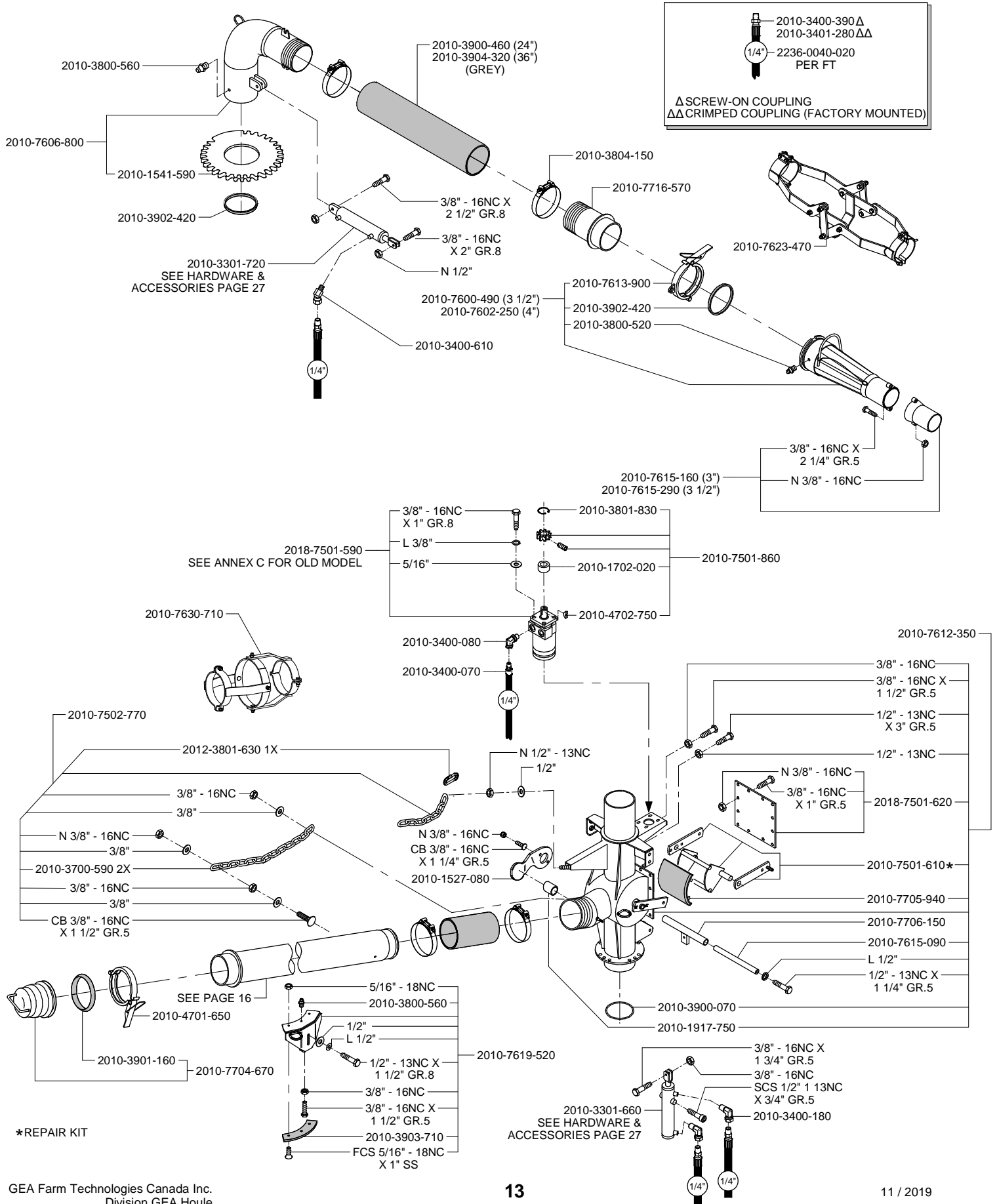
- SHAFT 1 5/8"**
- 2010-1400-960 16GA
 2010-1404-865 22GA
 2010-1503-490 3/16"
SHAFT 1 15/16"
 2010-1400-970 16GA
 2010-1404-870 22GA
 2010-1503-500 3/16"

- 4 BLADES**
- 1 5/8" SHAFT 1 15/16" SHAFT
 2010-7613-490 (24") 2010-7616-380 (24")
 2010-7614-700 (25") 2010-7616-390 (25")
 2010-7613-480 (26") 2010-7616-370 (26")
 2010-7613-470 (28") 2010-7620-150 (27")
 2010-7616-360 (28")



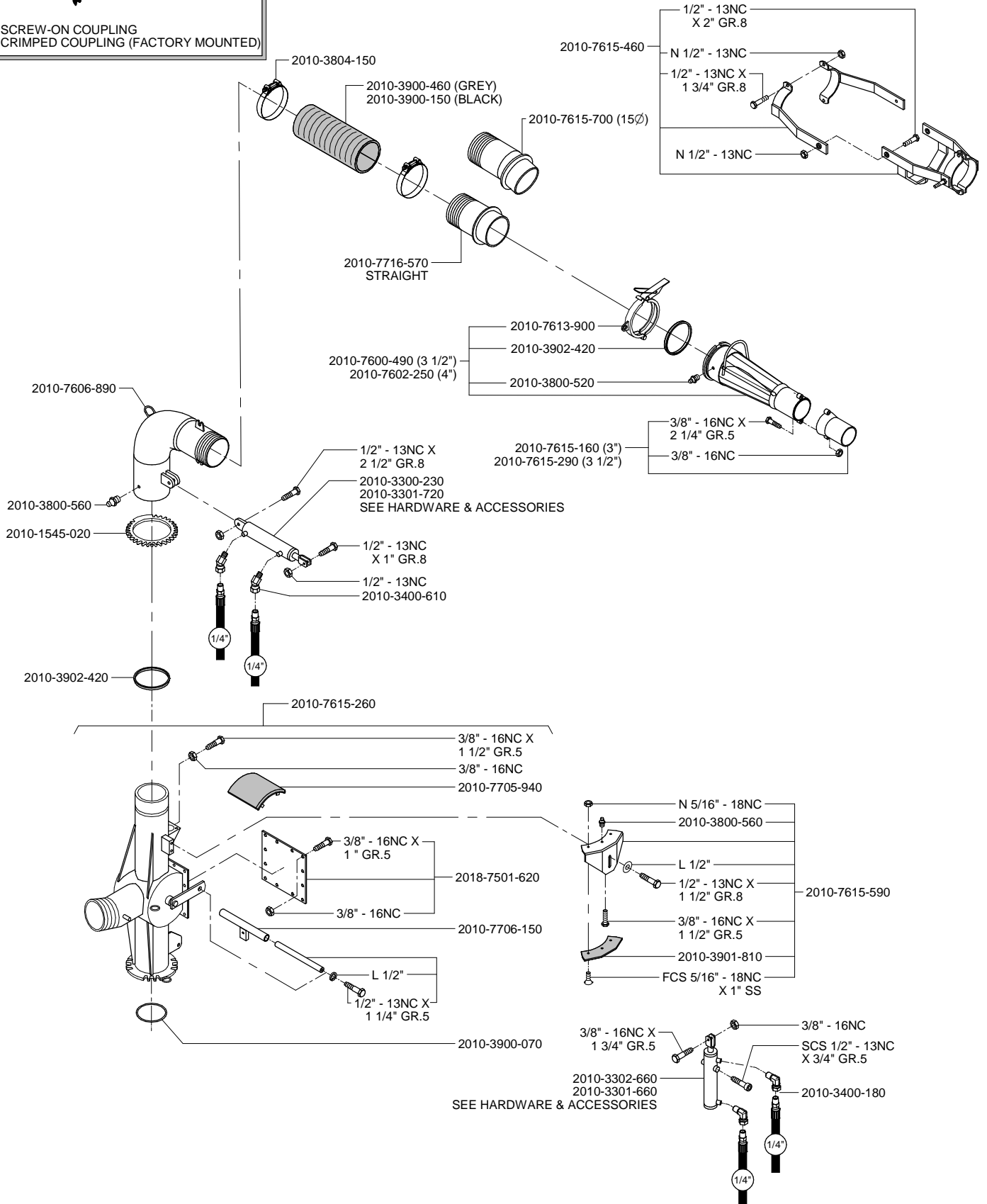
* BEFORE JUNE 2001
 ** SINCE JANUARY 2016
 *** BEFORE JANUARY 2016

6" DIRECTIONAL VALVE & AGITATION NOZZLE



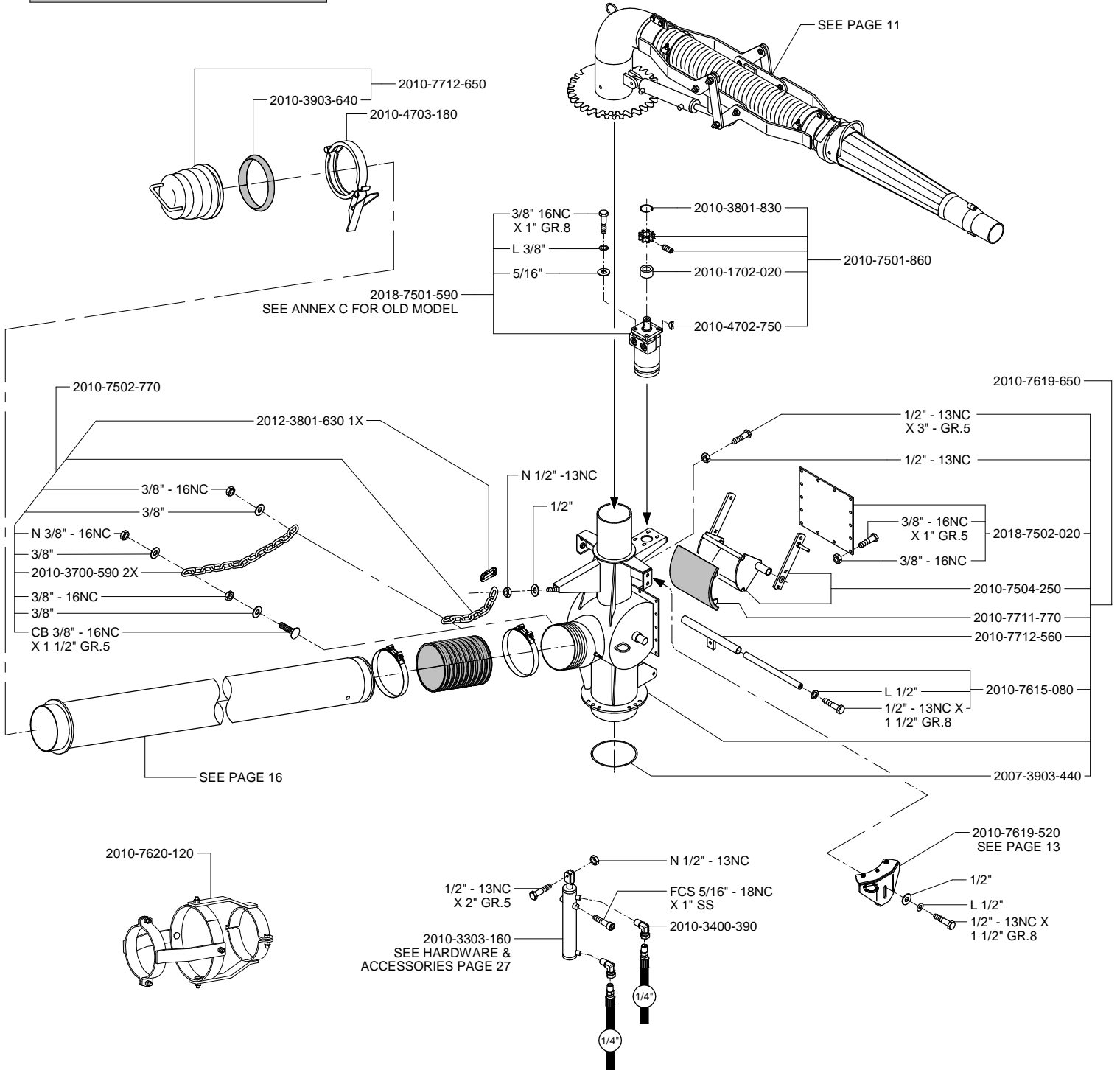
6" DIRECTIONAL VALVE & AGITATION NOZZLE - Old model

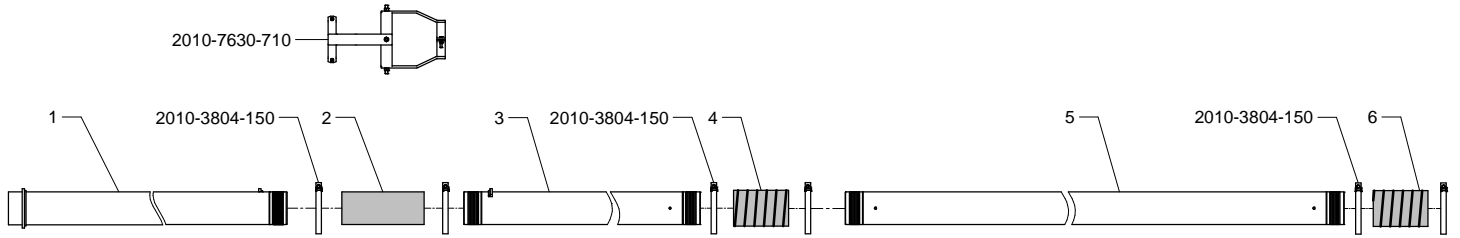
2010-3400-390 Δ
 2010-3401-280 ΔΔ
 2236-0040-020
 PER FT
 Δ SCREW-ON COUPLING
 ΔΔ CRIMPED COUPLING (FACTORY MOUNTED)



8" DIRECTIONAL VALVE & AGITATION NOZZLE

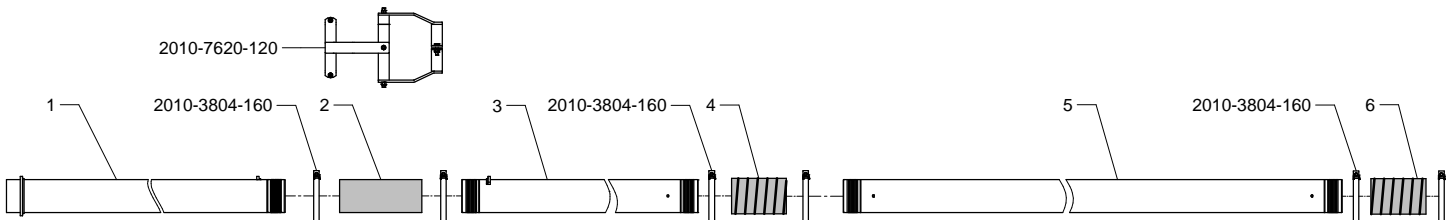
2010-3400-390Δ
 2010-3401-280ΔΔ
 1/4" 2236-0040-020
 PER FT
 Δ SCREW-ON COUPLING
 ΔΔ CRIMPED COUPLING (FACTORY MOUNTED)





Agi-pompe 6" ®	1	2	3	4	5	6
32'	2010-7729-760	2010-3905-080	2010-7701-810	2010-3900-250	N/A	N/A
42'	2010-7729-760	2010-3905-080	2010-7701-820	2010-3900-250	N/A	N/A
52'	2010-7729-760	2010-3905-080	2010-7701-830	2010-3900-250	N/A	N/A
62'	2010-7729-760	2010-3905-080	2010-7701-820	2010-3900-250	2010-2100-780	2010-3900-250
72'	2010-7729-760	2010-3905-080	2010-7701-830	2010-3900-250	2010-2100-780	2010-3900-250

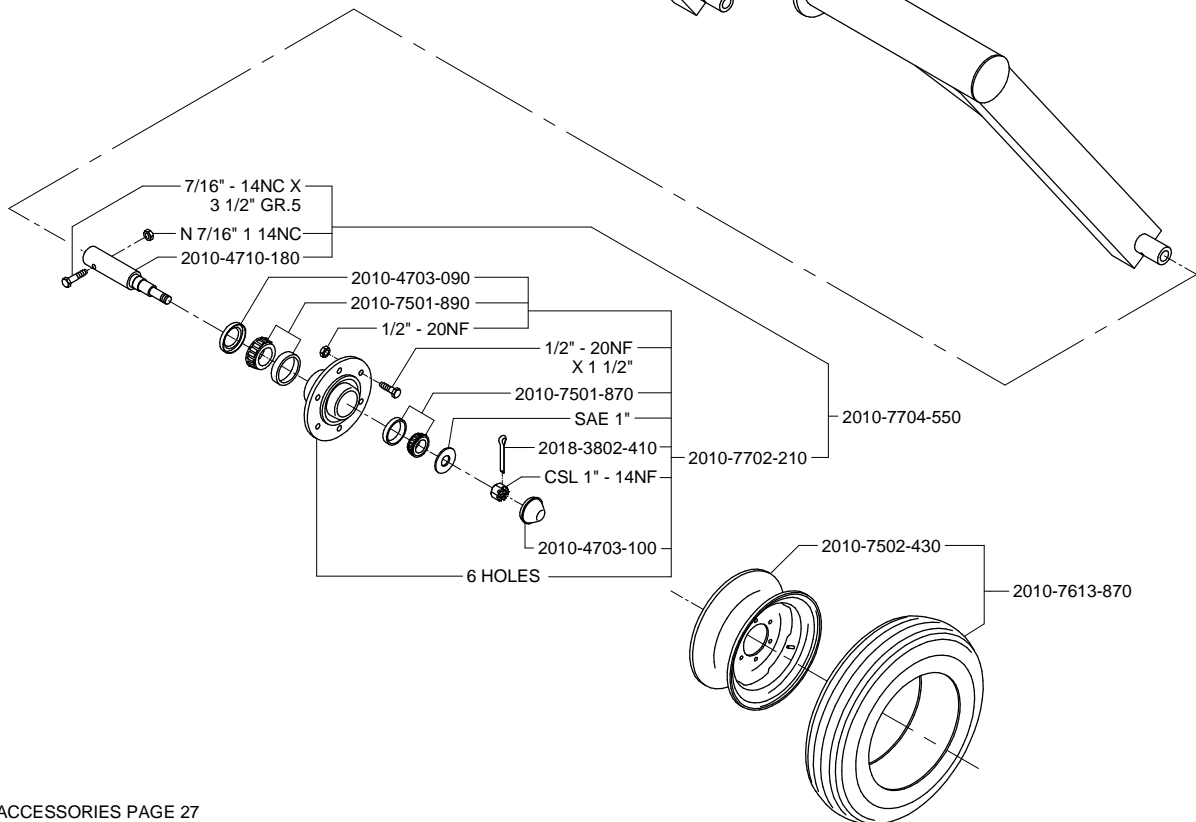
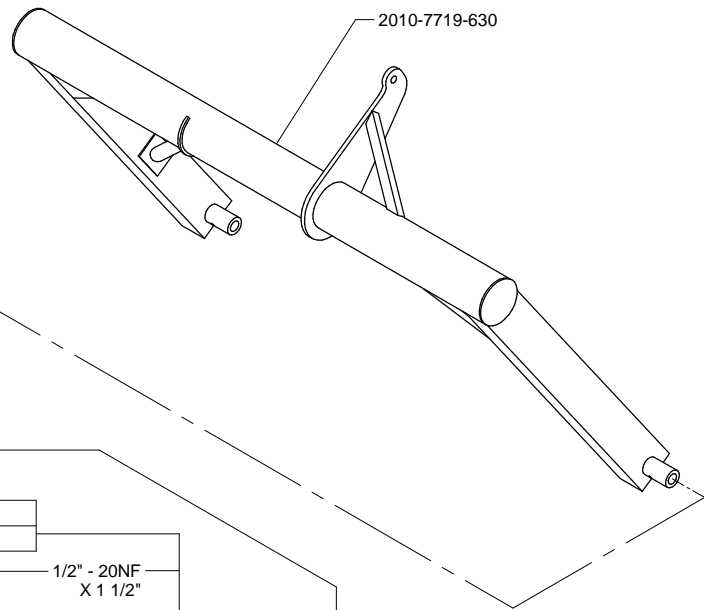
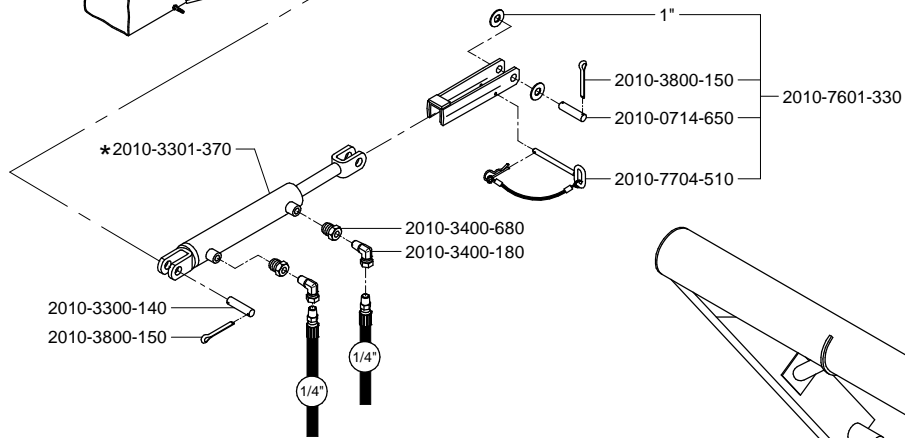
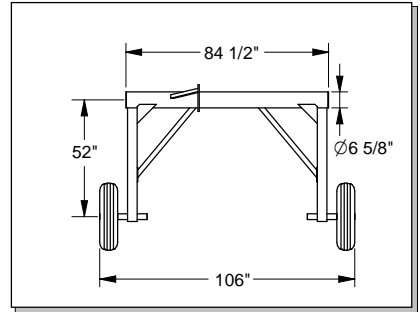
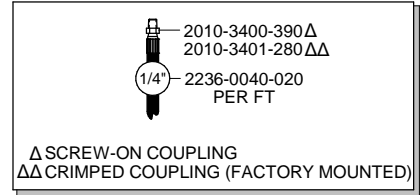
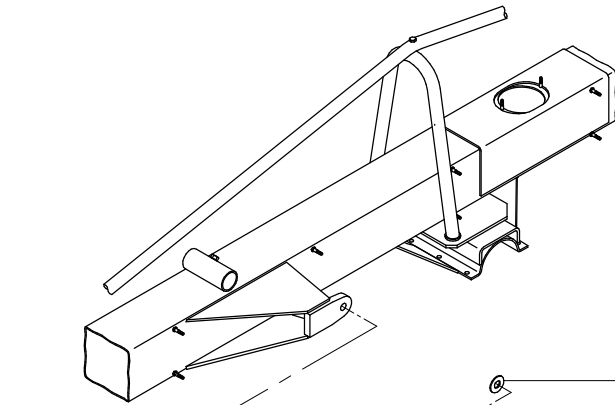
Super-pump 6"	1	2	3	4	5	6
32'	2010-7731-030	2010-3905-080	2010-7701-810	2010-3900-250	N/A	N/A
42'	2010-7731-030	2010-3905-080	2010-7701-820	2010-3900-250	N/A	N/A
52'	2010-7731-030	2010-3905-080	2010-7701-830	2010-3900-250	N/A	N/A
62'	2010-7731-030	2010-3905-080	2010-7701-820	2010-3900-250	2010-2100-780	2010-3900-250
72'	2010-7731-030	2010-3905-080	2010-7701-830	2010-3900-250	2010-2100-780	2010-3900-250



Agi-pompe 8" ®	1	2	3	4	5	6
32'	2010-7729-770	2010-3618-130	2010-7701-840	2010-3618-120	N/A	N/A
42'	2010-7729-770	2010-3618-130	2010-7701-850	2010-3618-120	N/A	N/A
52'	2010-7729-770	2010-3618-130	2010-7701-860	2010-3618-120	N/A	N/A
62'	2010-7729-770	2010-3618-130	2010-7701-850	2010-3618-120	2010-2100-620	2010-3618-120
72'	2010-7729-770	2010-3618-130	2010-7701-860	2010-3618-120	2010-2100-620	2010-3618-120

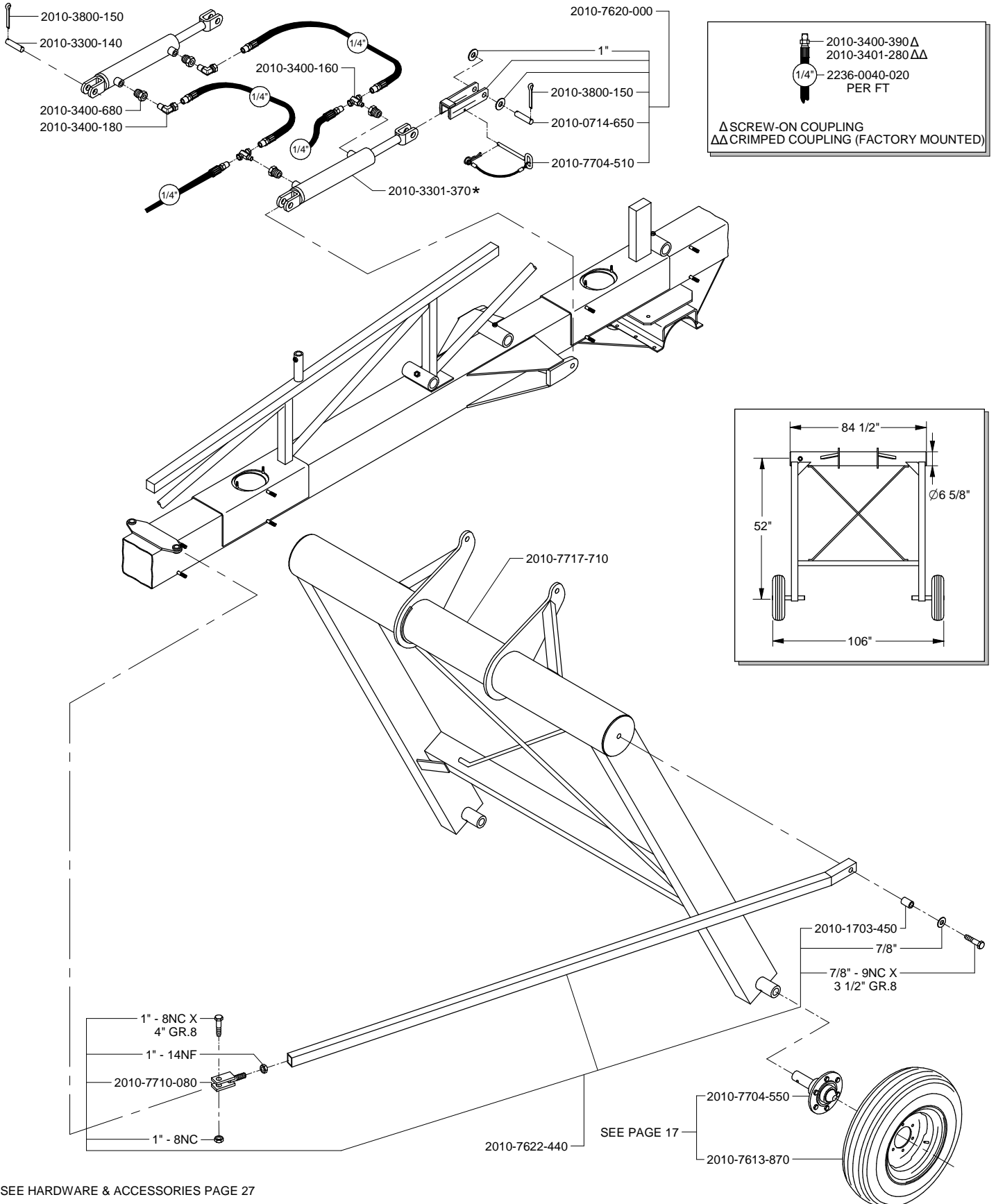
Super-pump 8"	1	2	3	4	5	6
32'	2010-7731-040	2010-3618-130	2010-7701-840	2010-3618-120	N/A	N/A
42'	2010-7731-040	2010-3618-130	2010-7701-850	2010-3618-120	N/A	N/A
52'	2010-7731-040	2010-3618-130	2010-7701-860	2010-3618-120	N/A	N/A
62'	2010-7731-040	2010-3618-130	2010-7701-850	2010-3618-120	2010-2100-620	2010-3618-120
72'	2010-7731-040	2010-3618-130	2010-7701-860	2010-3618-120	2010-2100-620	2010-3618-120

UNDERCARRIAGE - 6 5/8" Pivot



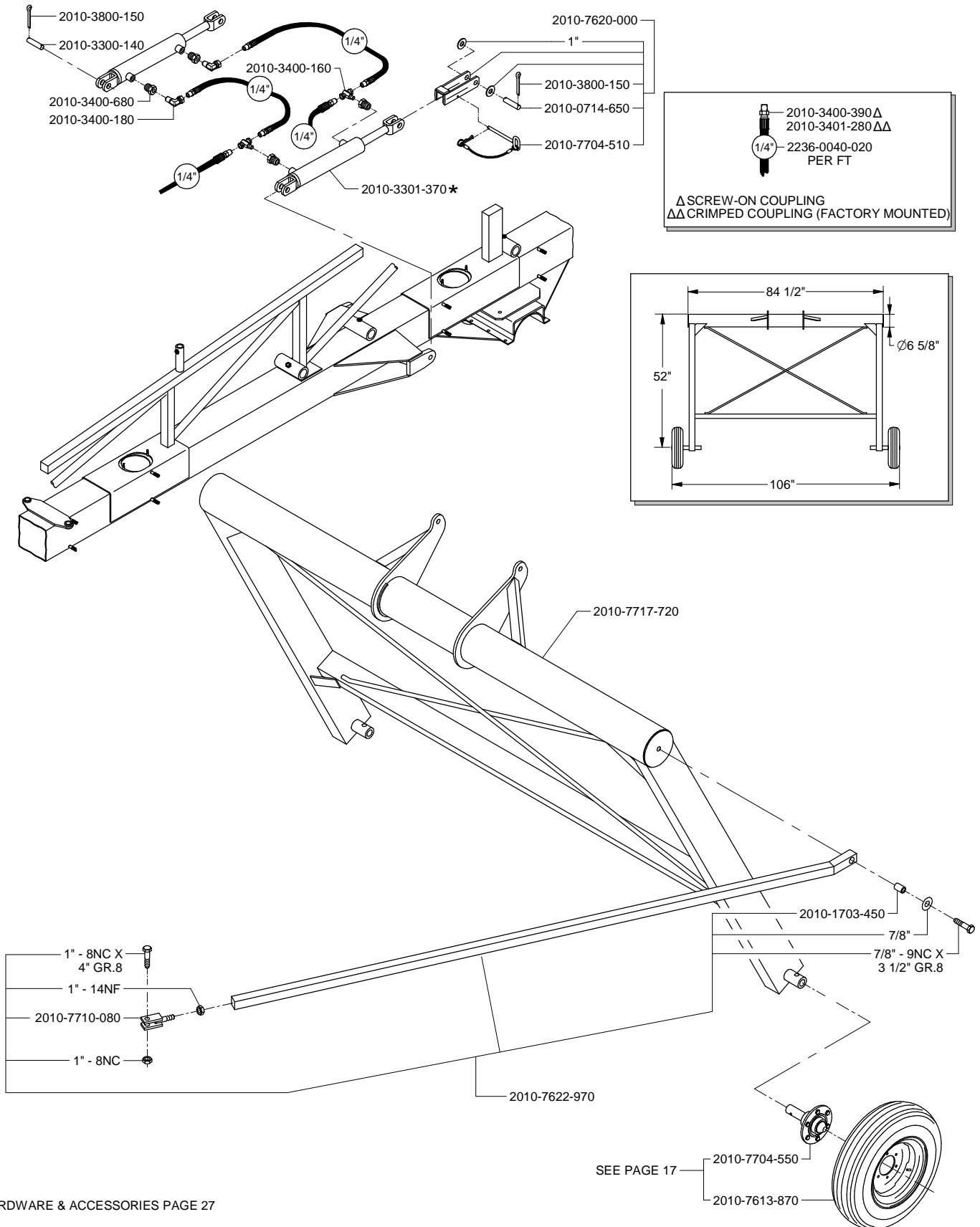
* SEE HARDWARE & ACCESSORIES PAGE 27

HEAVY DUTY UNDERCARRIAGE - 8 5/8" pivot





* SEE HARDWARE & ACCESSORIES PAGE 27

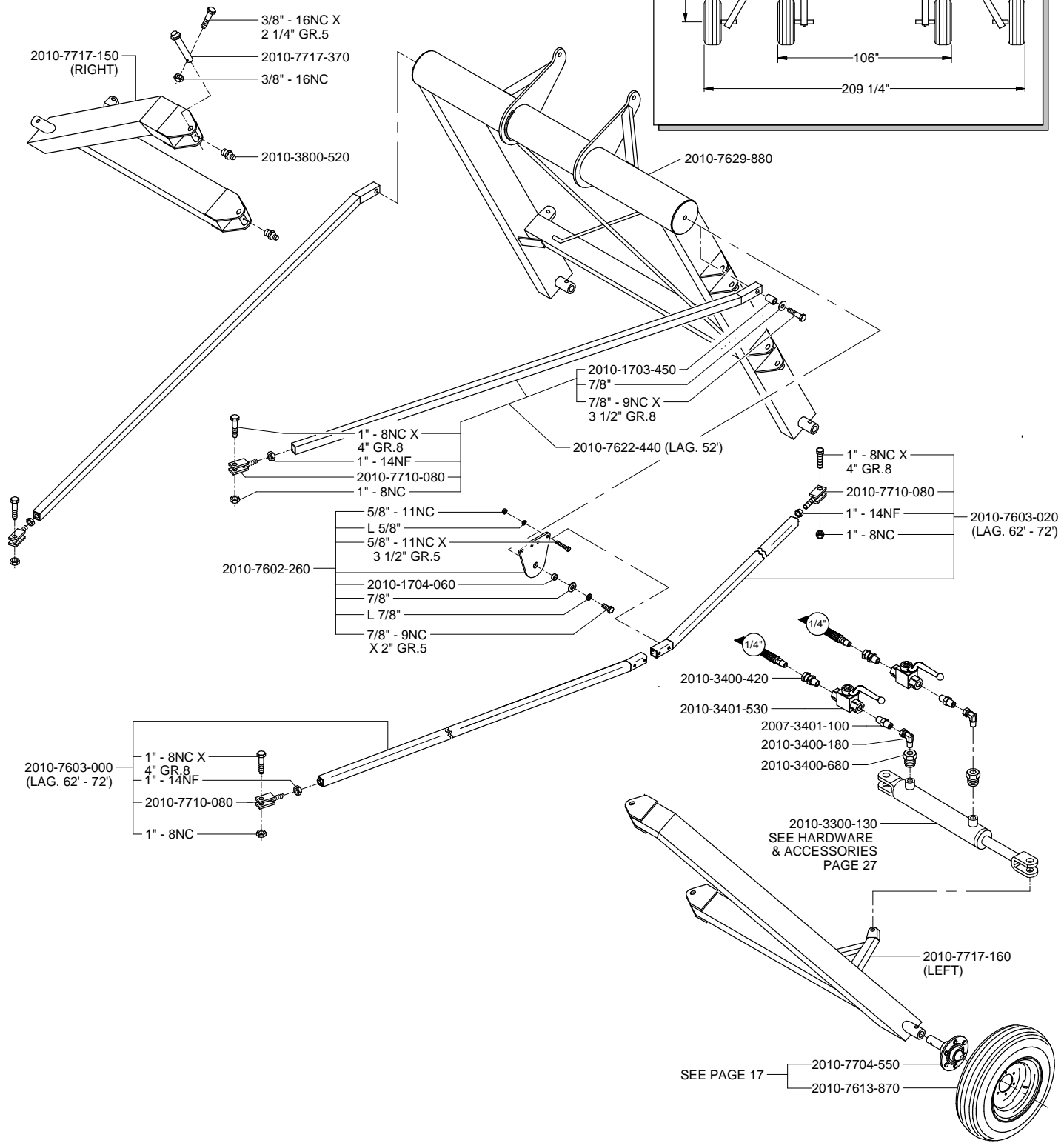
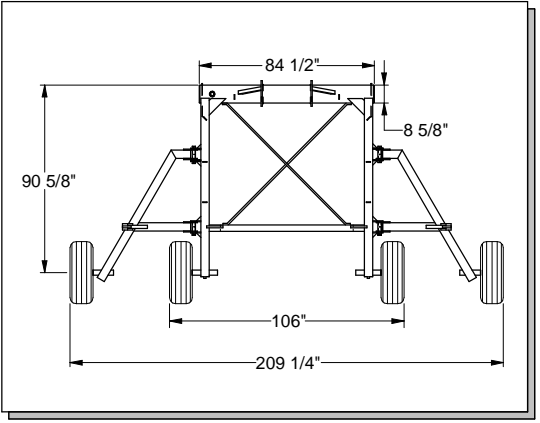
HEAVY DUTY UNDERCARRIAGE 4' WIDER - 8 5/8" pivot



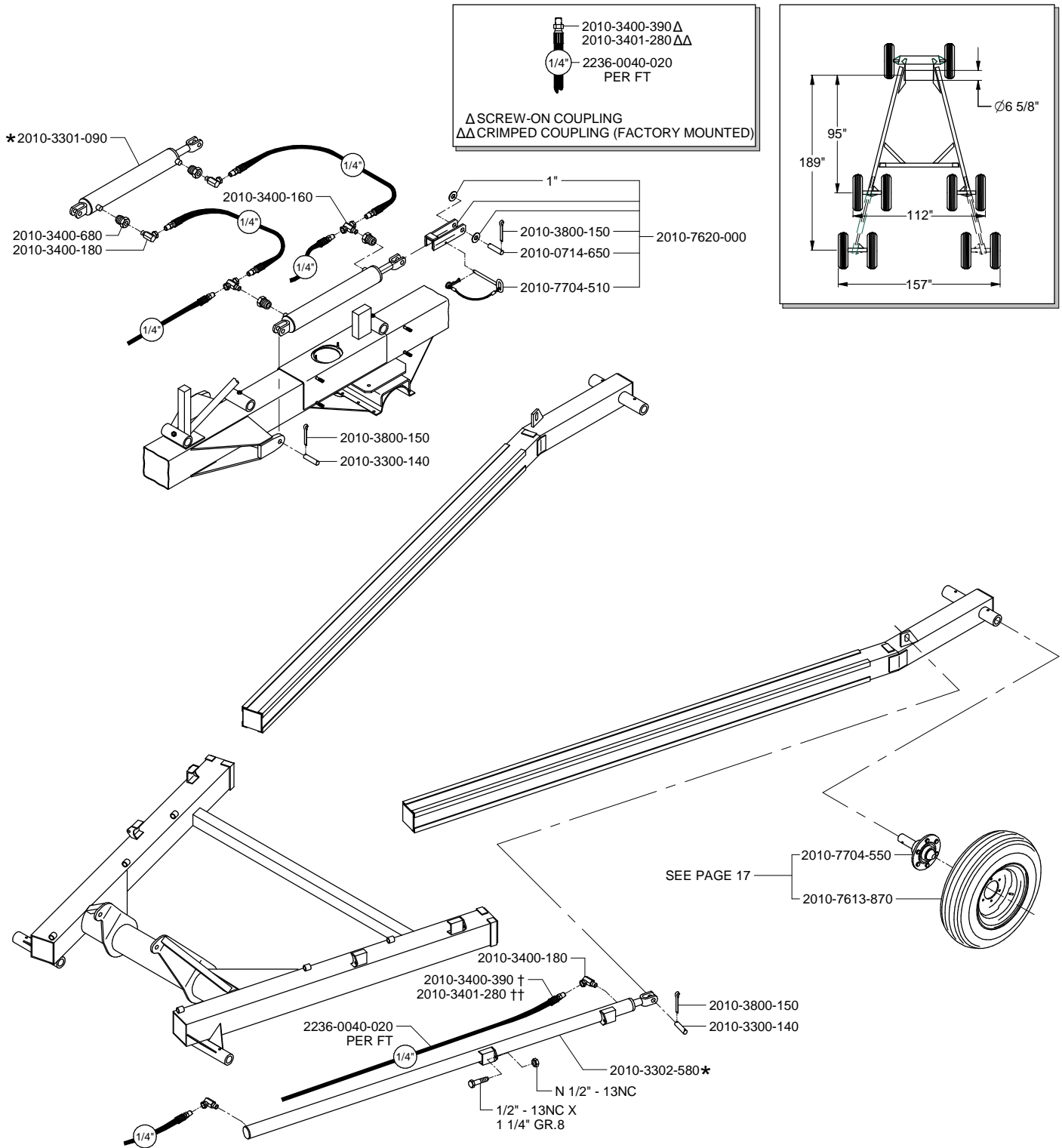
* SEE HARDWARE & ACCESSORIES PAGE 27

HEAVY DUTY UNDERCARRIAGE - With articulated stabilizer wheels

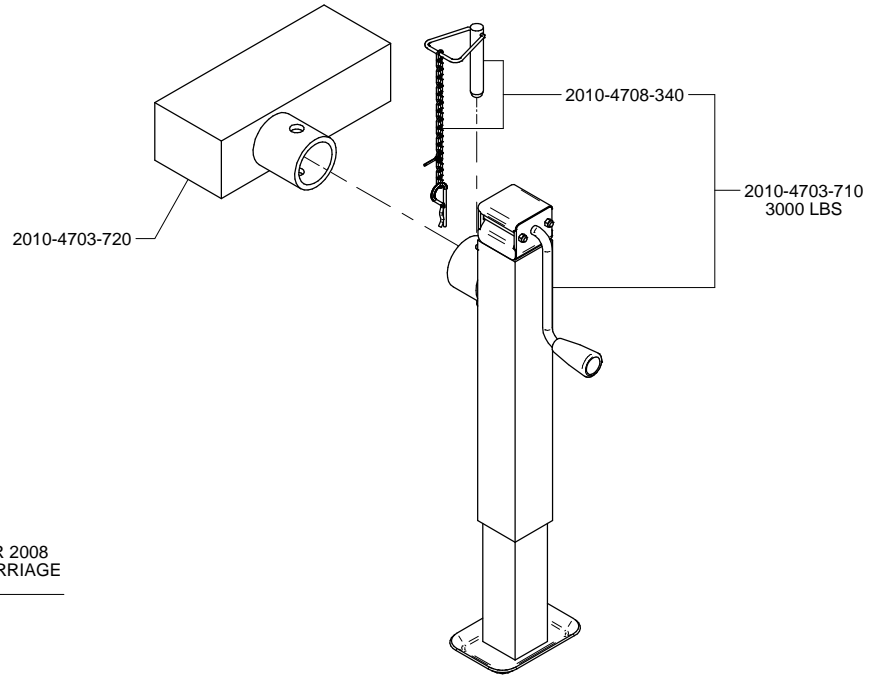
 2010-3400-390 Δ
 2010-3401-280 ΔΔ
 2236-0040-020
 PER FT
 Δ SCREW-ON COUPLING
 ΔΔ CRIMPED COUPLING (FACTORY MOUNTED)



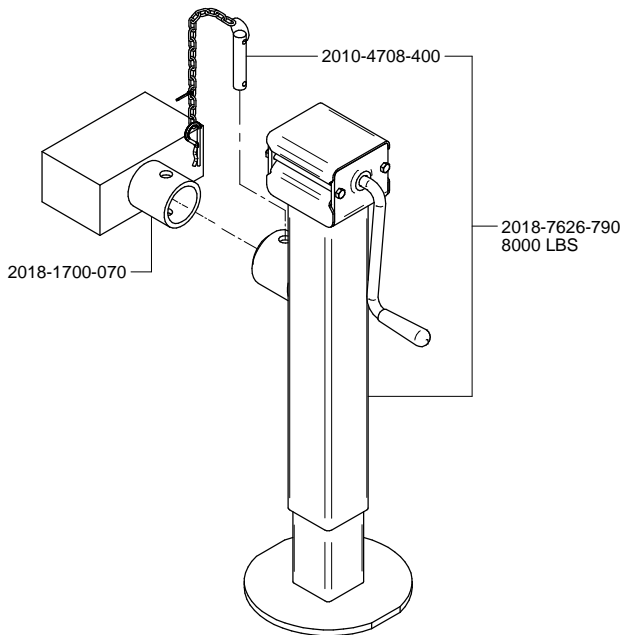
MULTIPURPOSE UNDERCARRIAGE - 6 5/8" pivot before 2002



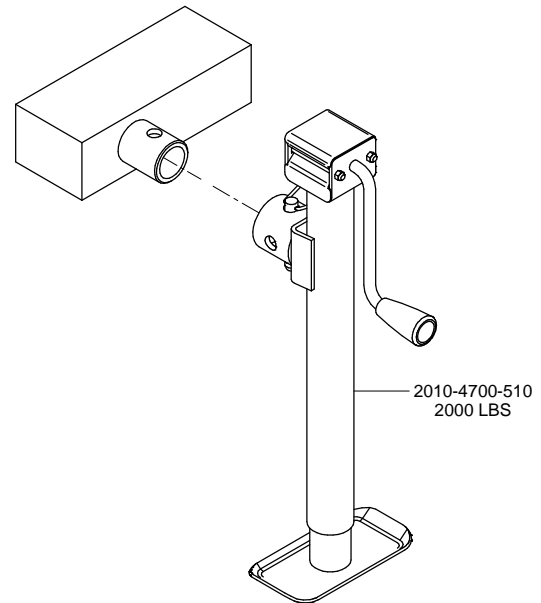
* SEE HARDWARE & ACCESSORIES PAGE 27



MODEL SUPPLIED SINCE NOVEMBER 2008
WITH THE MULTIPURPOSE UNDERCARRIAGE

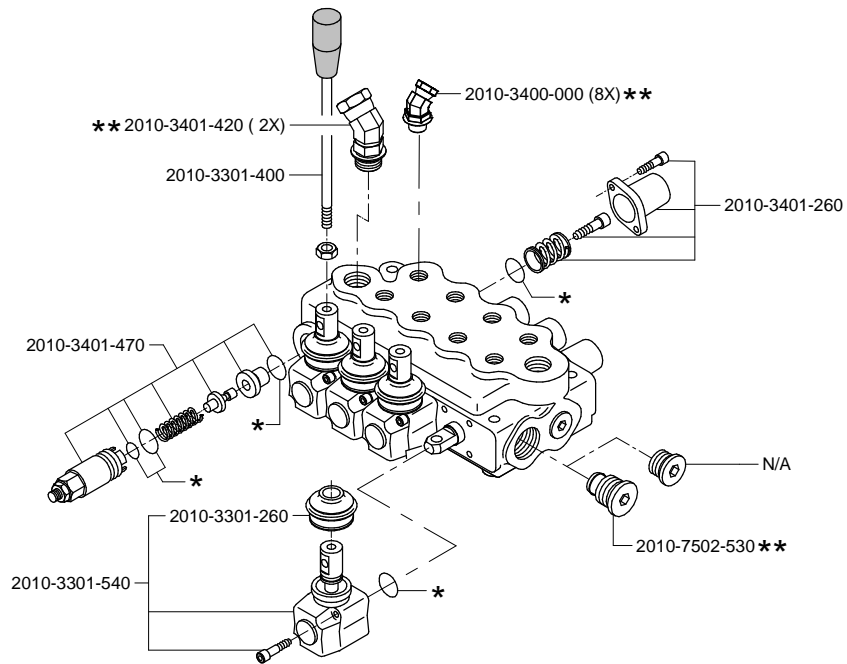
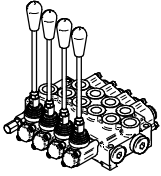


MODEL SUPPLIED BEFORE AUGUST 2001

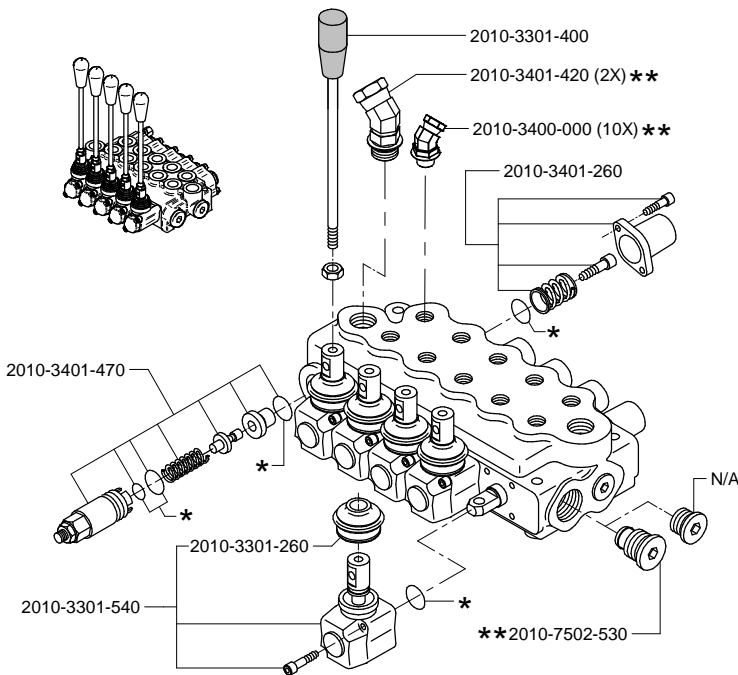
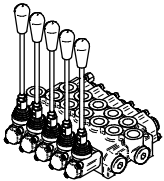


CURRENT MODEL

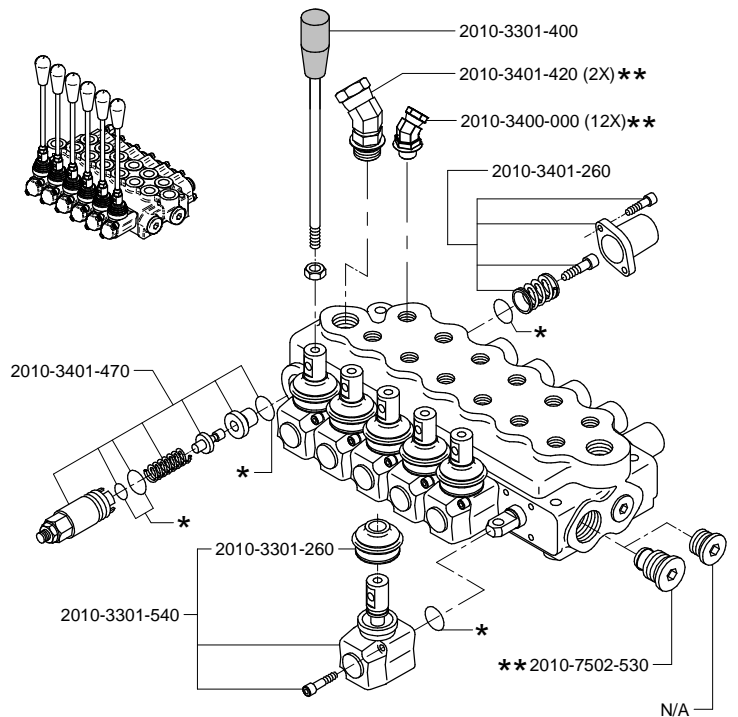
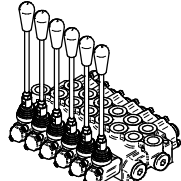
Complete 4-lever valve
2010-3301-050



Complete 5-lever valve
2010-3304-190

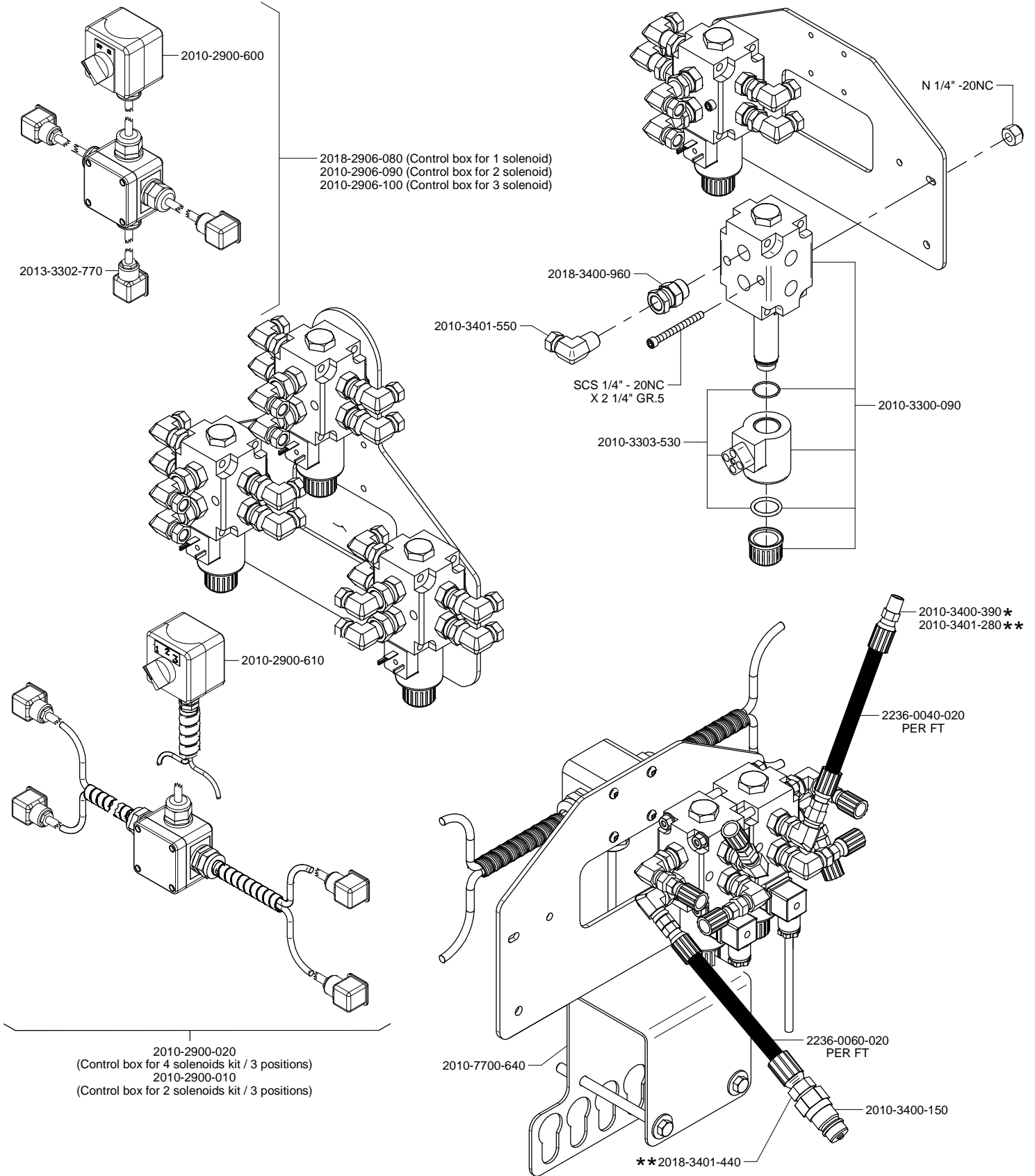


Complete 6-Lever valve
2010-3301-640



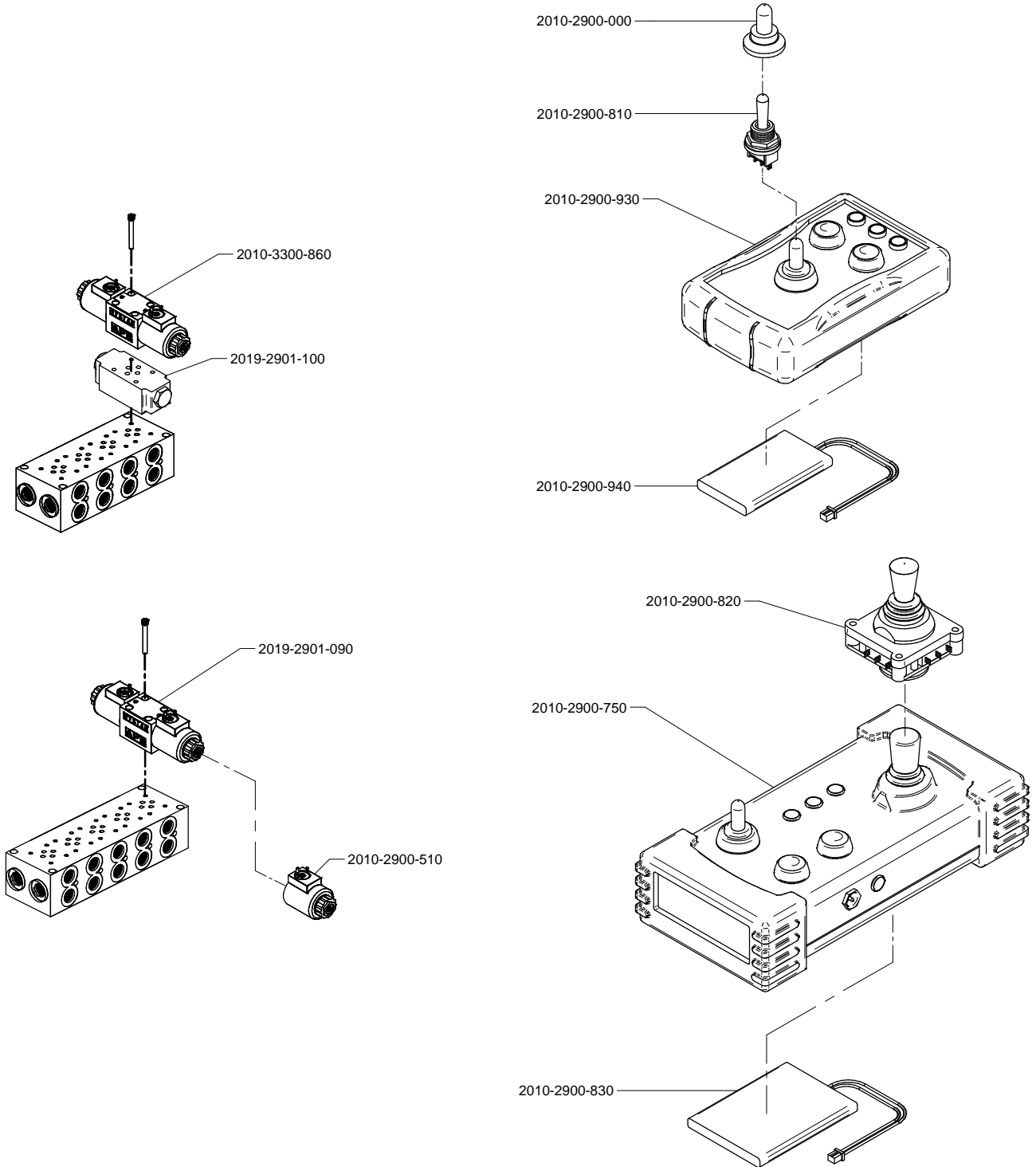
* 2018-3302-010
SEAL KIT (INCLUDES ALL PARTS MARKED WITH *)
NOTE : 2 kits required for the 5 and 6 lever models

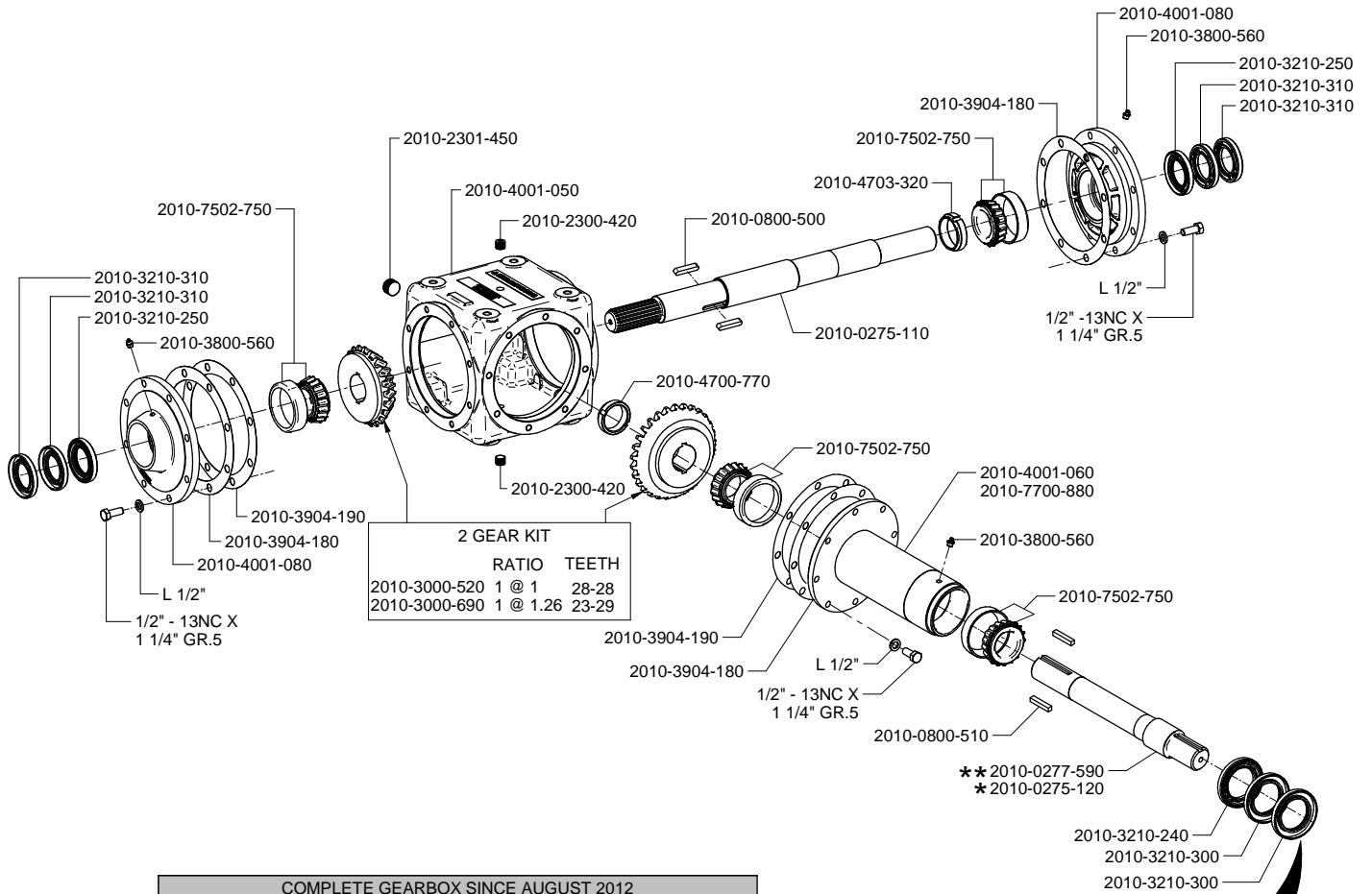
** NOT INCLUDED WITH COMPLETE 4-5 AND 6-LEVER VALVE



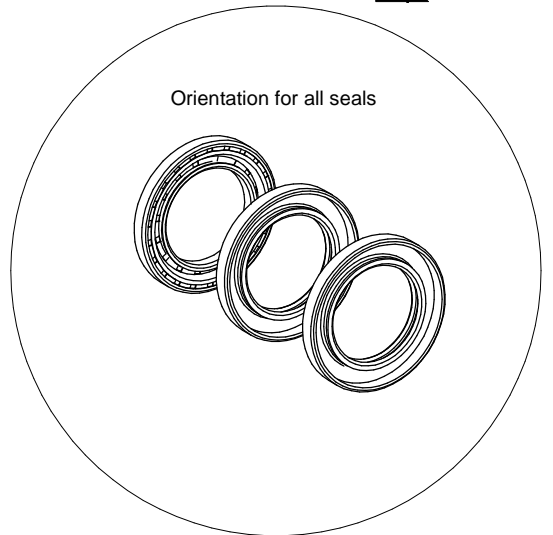
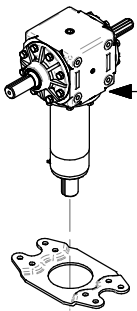
*SCREW-ON COUPLING
**CRIMPED COUPLING (FACTORY MOUNTED)

4-Function Remote

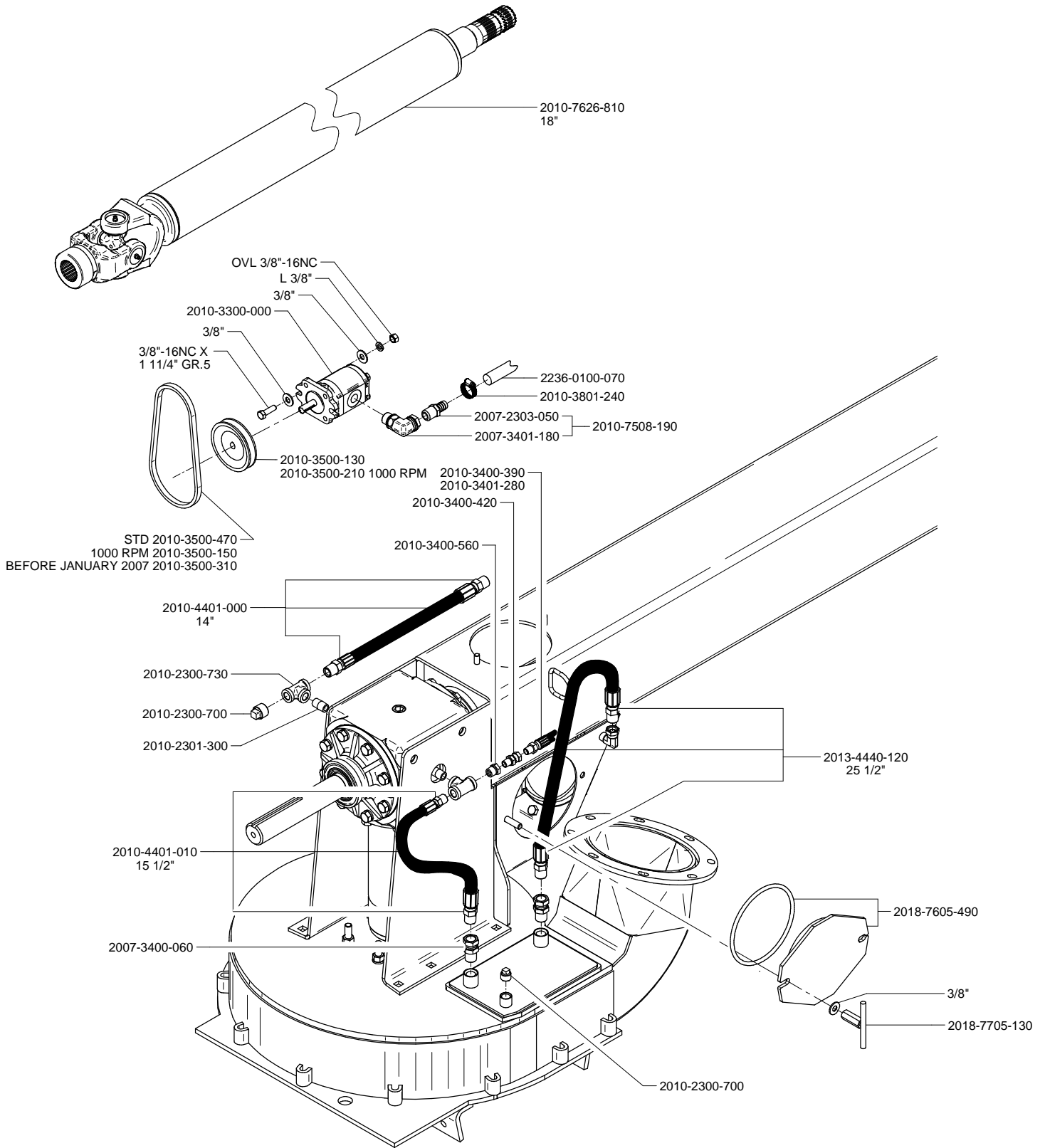




COMPLETE GEARBOX SINCE AUGUST 2012		
Ø SHAFT	RATIO 1 @ 1	RATIO 1 @ 1.26
1 3/4"	2010-2805-220	2010-2805-790 (+26%)
1 3/4"		2010-2805-230 (-26%)
COMPLETE GEARBOX BEFORE AUGUST 2012		
1 3/4"		2010-2805-210 (-26%)
REPLACEMENT KIT (FIXING PLATE FOR HOUSING AND COMPLETE GEARBOX) FOR MODEL BEFORE AUGUST 2012		
1 3/4"		2010-7500-500 (+26%)
1 3/4"	2010-7500-520	2010-7500-510 (-26%)

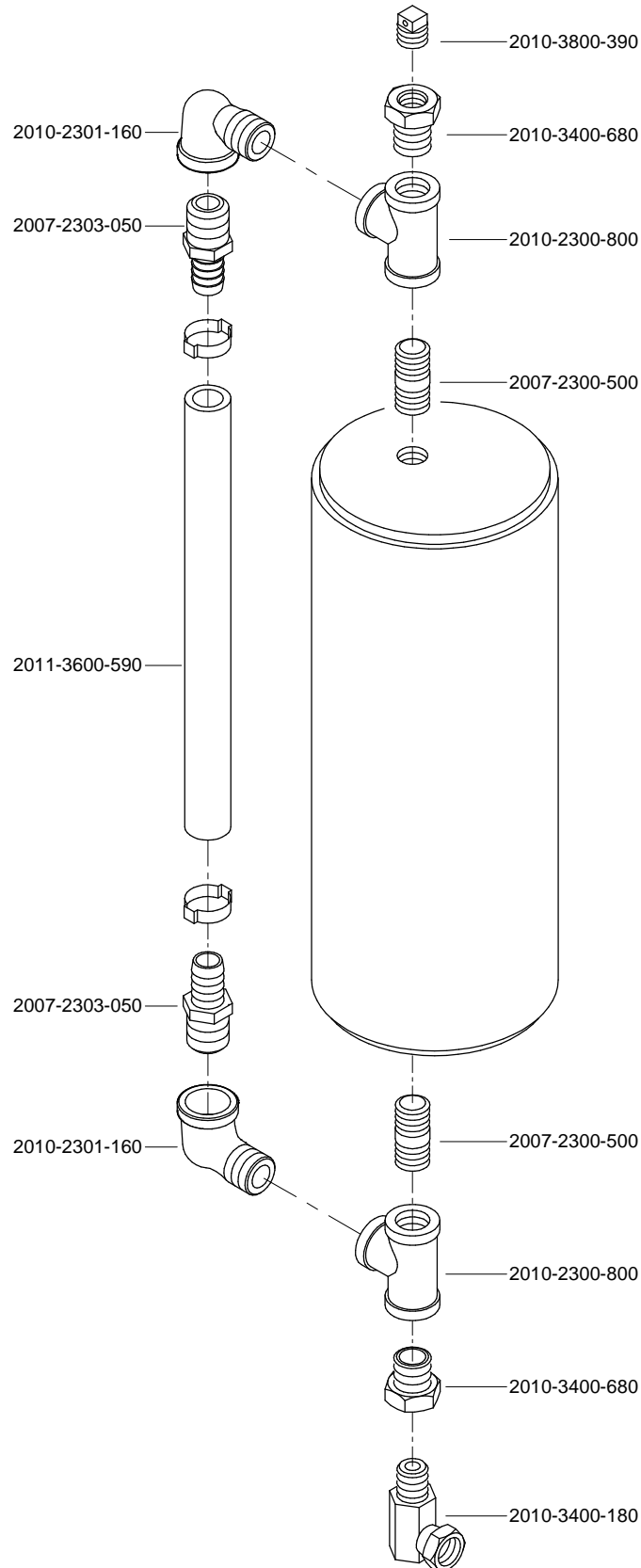


*BEFORE AUGUST 2012
**SINCE AUGUST 2012

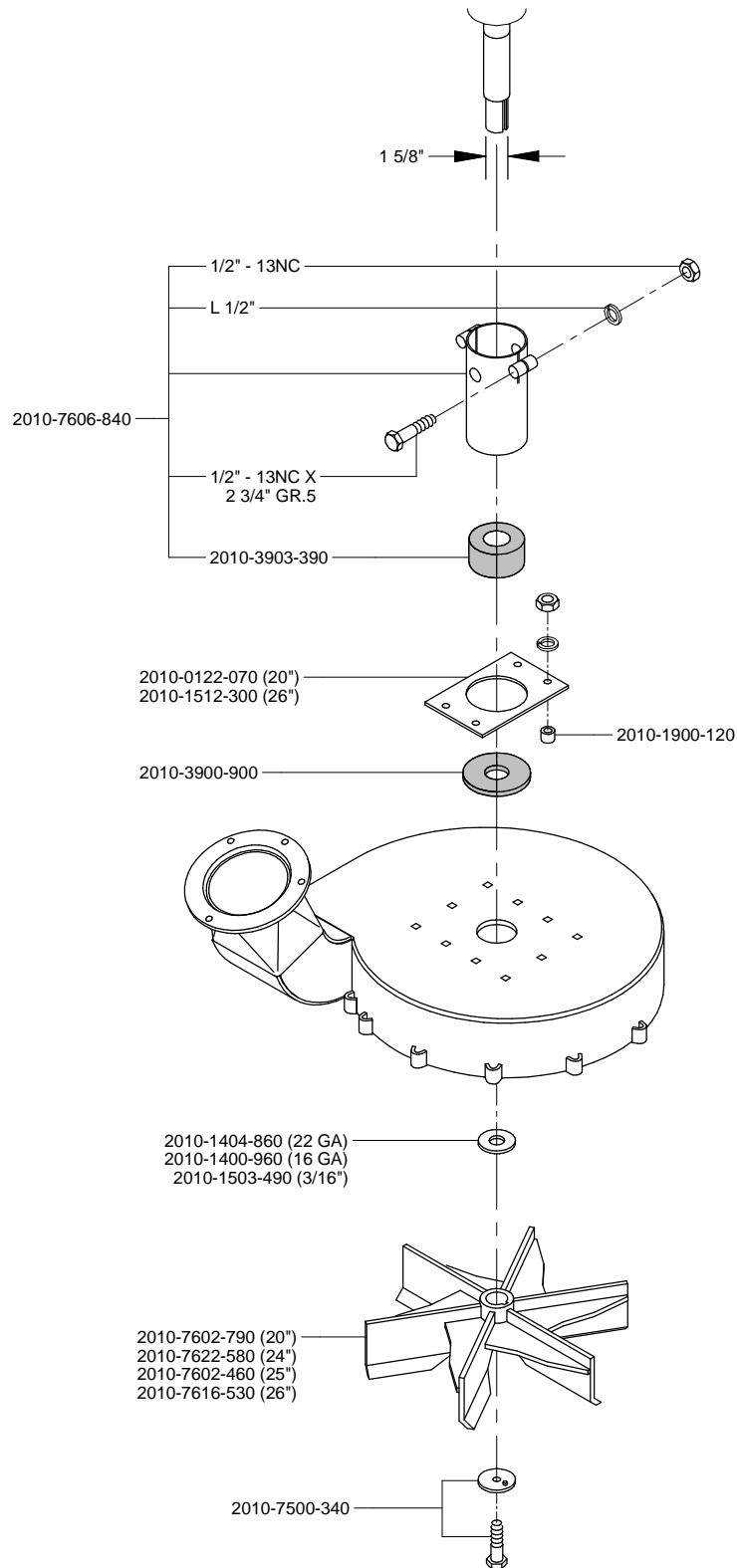


LUBRICATION OIL TANK

- This lubrication oil tank has been installed on all lagoon pumps prior to June 2004.
- If the part you need is not available, refer to the last updated version of the Parts Manual to replace the complete assembly by the new model.

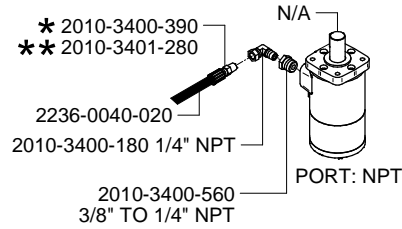


IMPELLER, HOUSING AND BOTTOM PLATE BEFORE APRIL 2005

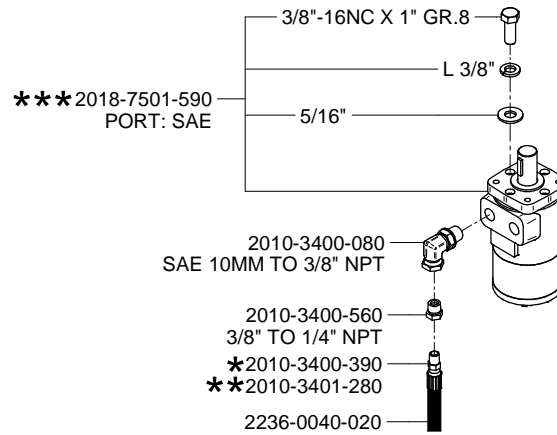


**PUMPS MANUFACTURED BEFORE
JUNE, 2014**

OLD MOTOR AND OLD HOSE

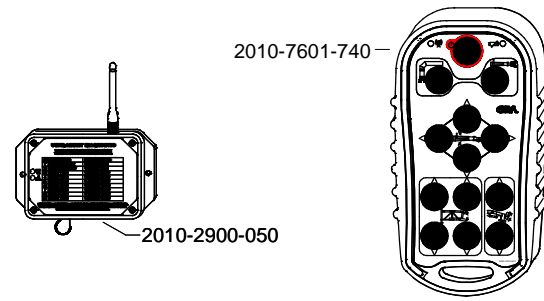
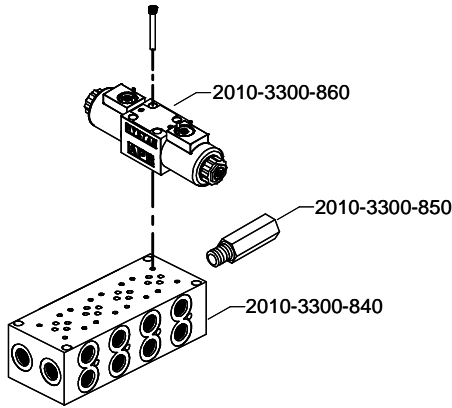


**REPLACEMENT WITH NEW MOTOR ON
OLD HOSES**

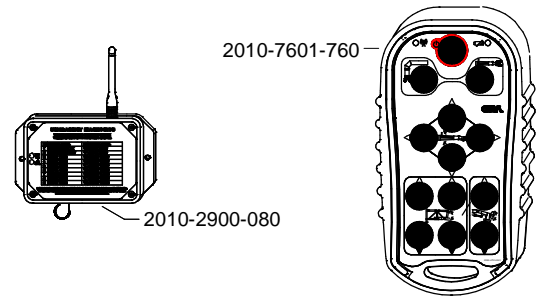
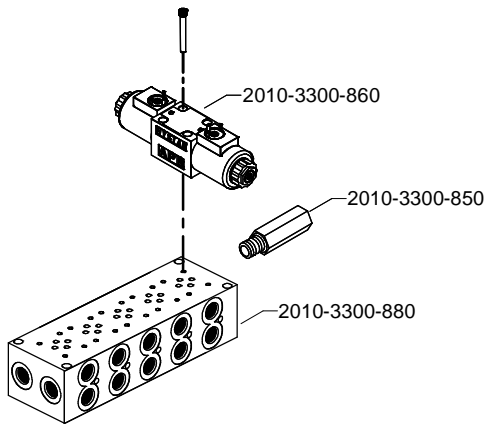


- * REUSABLE SCREW-ON COUPLING
- ** CRIMPED COUPLING (FACTORY MOUNTED)
- *** FOR REPAIR KIT, SEE HARDWARE AND ACCESSORIES

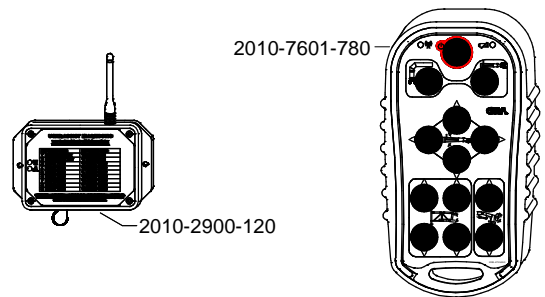
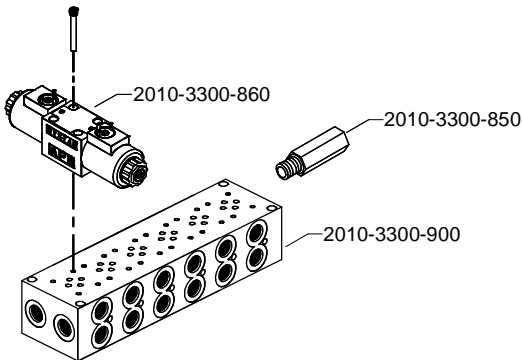
4-Function Remote



5-Function Remote



6-Function Remote



8-Function Remote

