

Table of contents.....01

3" High Pressure Pump on Pontoon.....02

8' Pontoon.....03

4" High Pressure Pump on Pontoon - Single Motor.....04

4" High Pressure Pump on Pontoon - Twin Motor.....05

4" High Pressure Pump on Pontoon - Impeller and Housing.....06

8" Flush Pump on Pontoon - Single Motor.....07

8" Flush Pump on Pontoon - Twin Motor.....08

8" Flush Pump on Pontoon - Impeller and Housing.....09

12' Pontoon.....10

Agi-Pompe on Pontoon - Single Motor.....11

Agi-Pompe on Pontoon - Twin Motor.....12

Agi-Pompe on Pontoon - Propeller, Impeller and Housing.....13

Gear Box # 200.....14

16' Pontoon for Horizontal Agi-Pompe.....15

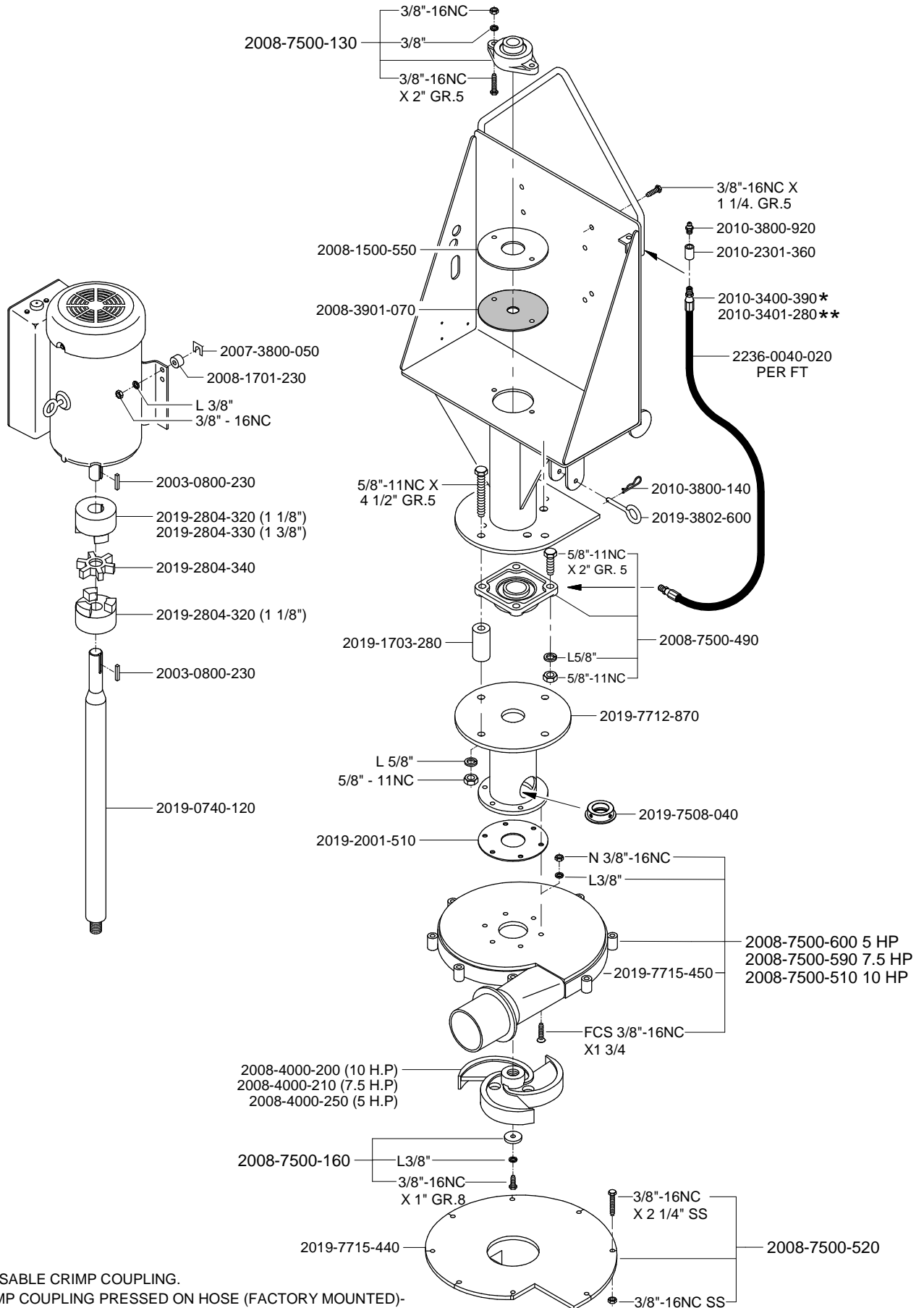
16' Pontoon for Vertical Pump.....16

Motor table Vertical Pump - Before January, 2017.....17

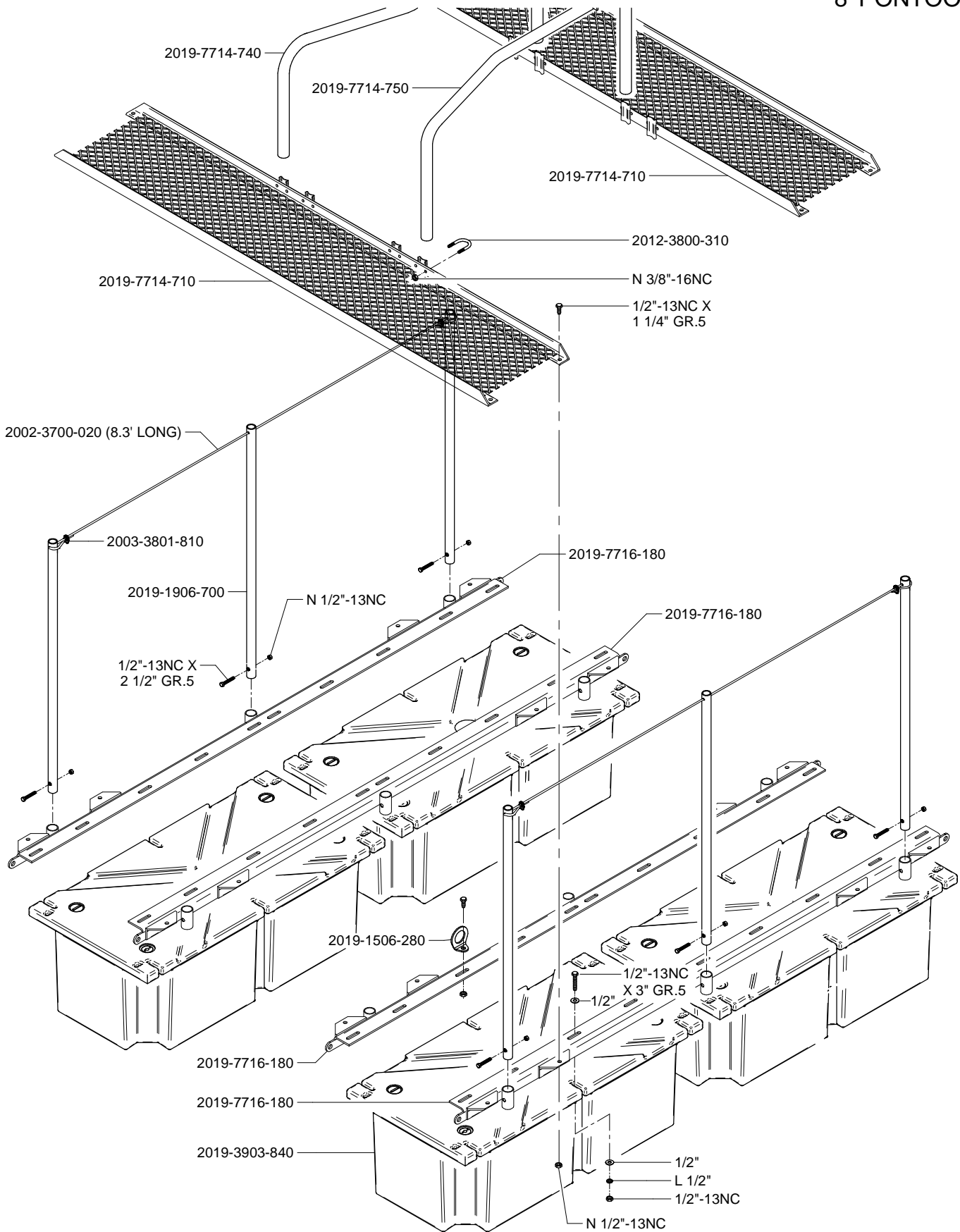
Motor table Horizontal Agi-Pompe - Before January, 2017..... 18

Hardware Identification	
Type	Designation
Hexagonal bolt	-
Carriage bolt	CB
Square head bolt	SB
Socket head cap screw	SCS
Socket head set screw	SSS
Flat head cap screw	FCS
Hexagon nut	-
Hexagon nylon lock nut	N
Hexagon oval lock nut	OVL
Hexagon tri-lock nut	TRI
Castle nut	CSL
Flange nut	FLN
Wing nut	WNG
Flat washer	-
Lock washer	L
SAE washer	SAE
Large ext. dia. washer	LD
Small ext. dia. washer	SD
Stainless steel bolts parts	SS

3" HIGH PRESSURE PUMP ON PONTOON



\* REUSABLE CRIMP COUPLING.  
\*\* CRIMP COUPLING PRESSED ON HOSE (FACTORY MOUNTED)-



4" HIGH PRESSURE PUMP ON PONTOON

- 2019-3503-140 (BX57)
- 2008-3502-180 (BX60)
- 2008-3502-190 (BX61)
- 2011-3501-360 (BX64)
- 2019-3503-660 (5VX630)
- 2019-3503-670 (5VX650)

- 2011-3502-860 (SK 2")
- 2011-3502-490 (SF 2")
- 2019-3504-180 (E 2")

- 2019-3504-980 (2B110)
- 2008-3501-820 (3B110)
- 2019-3504-260 (3-5V9.00)

2010-0800-210

2019-0755-420  
2 1/2"Ø x 59 7/8" L

\*\* 2010-3401-270

2008-7500-530  
2" Ø

5/8"-11NC  
X 1 1/2" GR.5  
L5/8"

FCS 1/2"-13NC  
X 1 1/2"

2008-1545-860

2008-1545-870

2019-7714-820

5/8"-11NC  
X 5" GR.5

2008-3905-980

2X 2010-3800-130

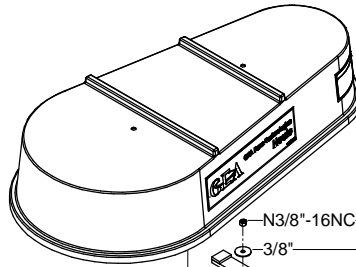
3/4"-10NC X  
2 1/2" GR. 5

2008-3201-550  
2 1/2"Ø

L3/4"

3/4"-10NC

\* REUSABLE CRIMP COUPLING  
\*\* CRIMP COUPLING PRESSED ON  
HOSE (FACTORY MOUNTED)



- 2008-7708-540 (pulley 16" or less)
- 2008-7600-080 (pulley 18.4")

- 2008-3501-600 (2B50)
- 2008-3501-770 (3B58)
- 2008-3501-790 (3B66)
- 2008-3501-200 (3B74)
- 2019-3503-740 (3-5V6.70)
- 2019-3503-570 (3-5V7.50)
- 2019-3503-770 (3-5V8.00)

2008-7708-620

- 2008-1401-030
- 2008-1407-730 (pulley 16" or less)
- 2008-1407-740 (pulley 18.4")

L3/8"  
3/8"-16NC

2008-7600-170

- 2010-3400-390\*
- 2010-3401-280\*\*
- 1/2"
- 2010-2301-360
- 2010-3800-920

2008-3900-080

2008-7500-100

5/8"-11NC  
L5/8"

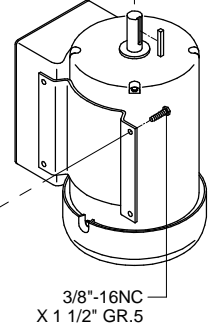
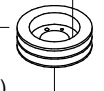
2011-3801-980

2236-0040-020  
PER FT

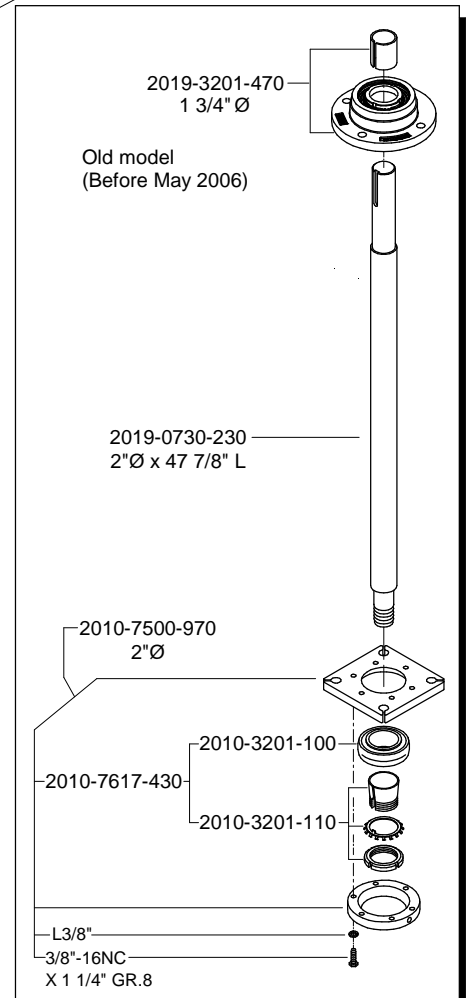
2010-3401-270\*\*

2019-3401-950

- 2008-3500-970 (SD 1 5/8")
- 2008-3501-100 (SD 1 7/8")
- 2008-3501-000 (SK 2 1/8")



3/8"-16NC  
X 1 1/2" GR.5



2019-3201-470  
1 3/4" Ø

Old model  
(Before May 2006)

2019-0730-230  
2"Ø x 47 7/8" L

2010-7500-970  
2"Ø

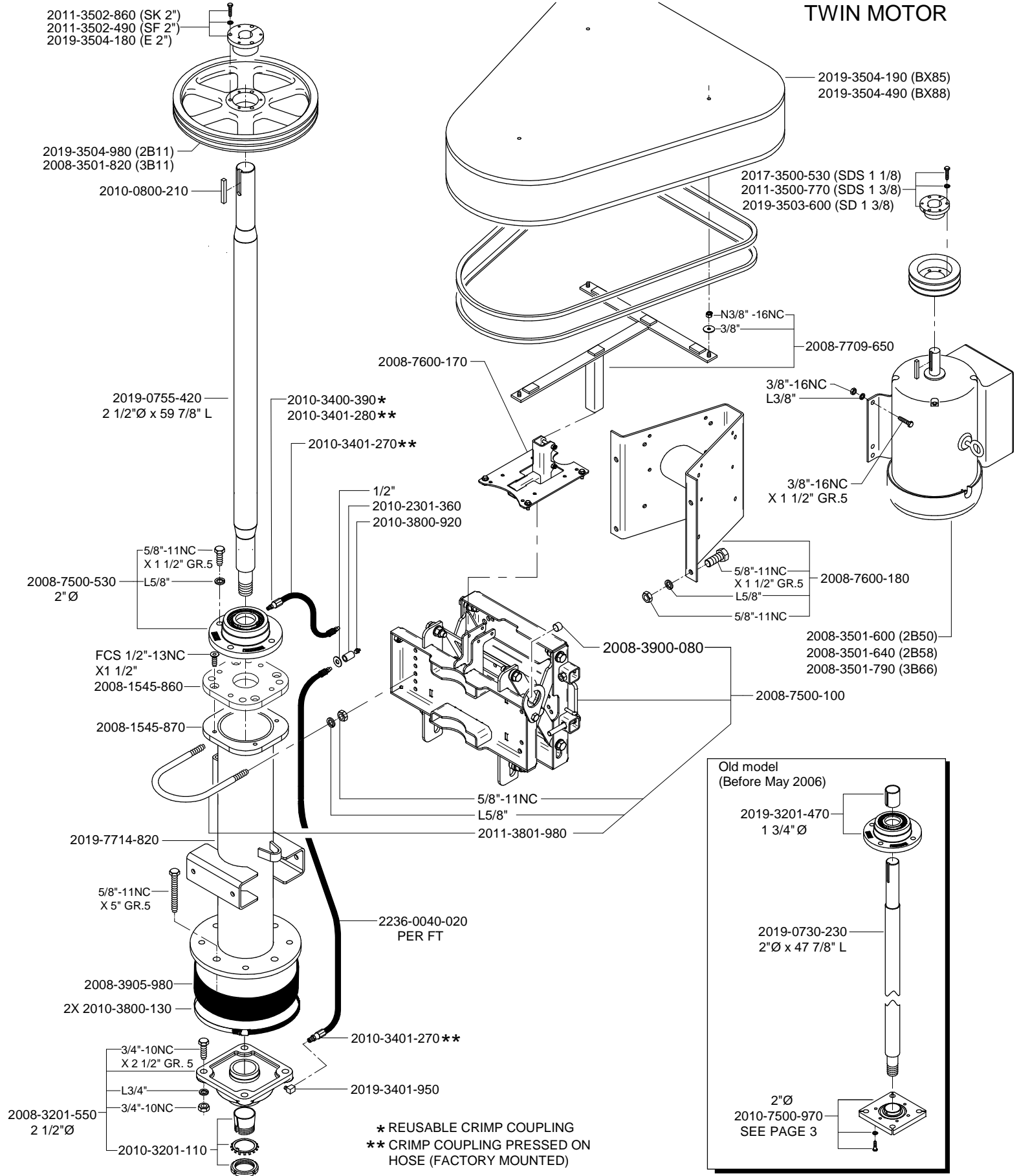
2010-7617-430

2010-3201-100

2010-3201-110

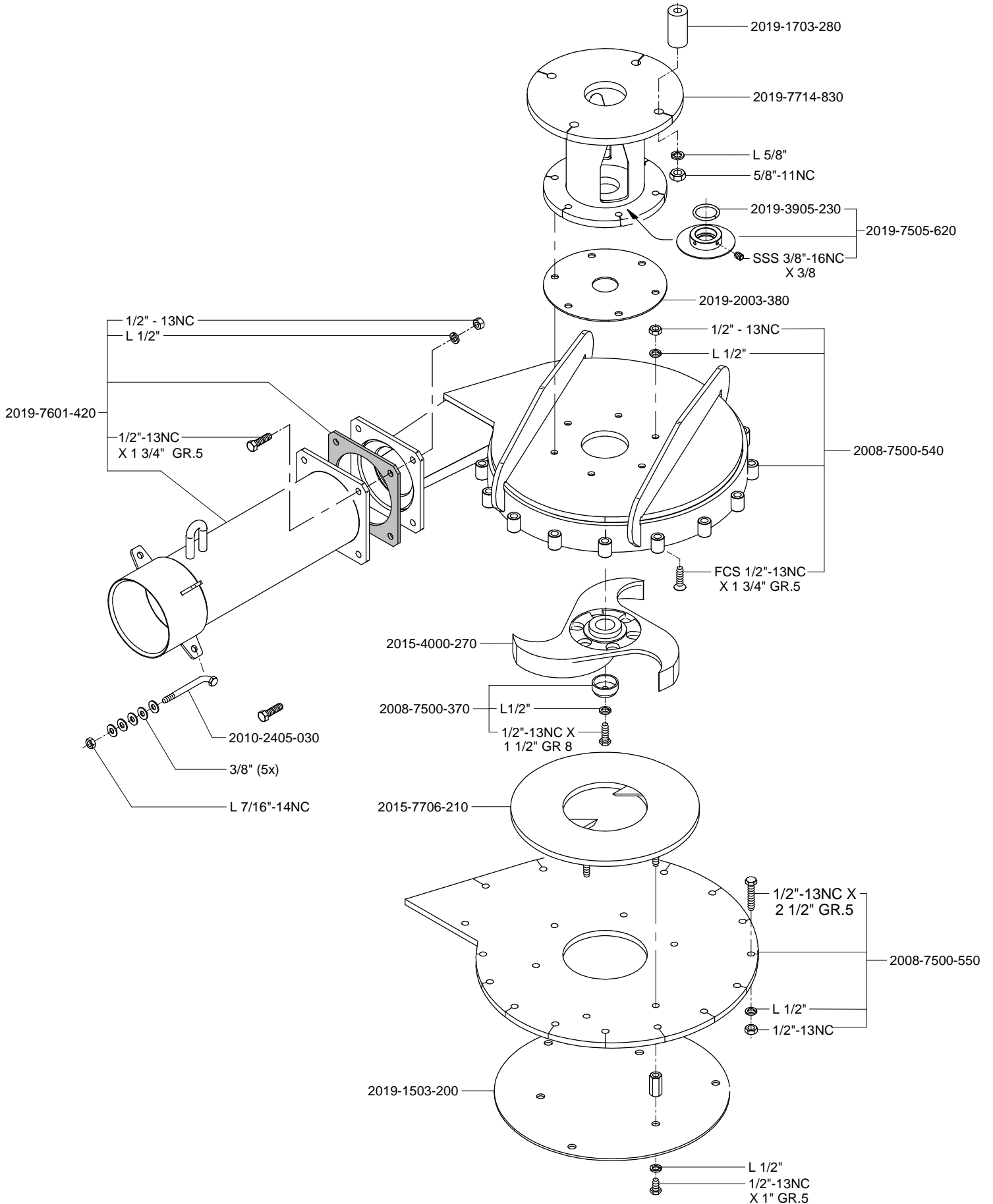
L3/8"  
3/8"-16NC  
X 1 1/4" GR.8

4" HIGH PRESSURE PUMP ON PONTOON  
TWIN MOTOR

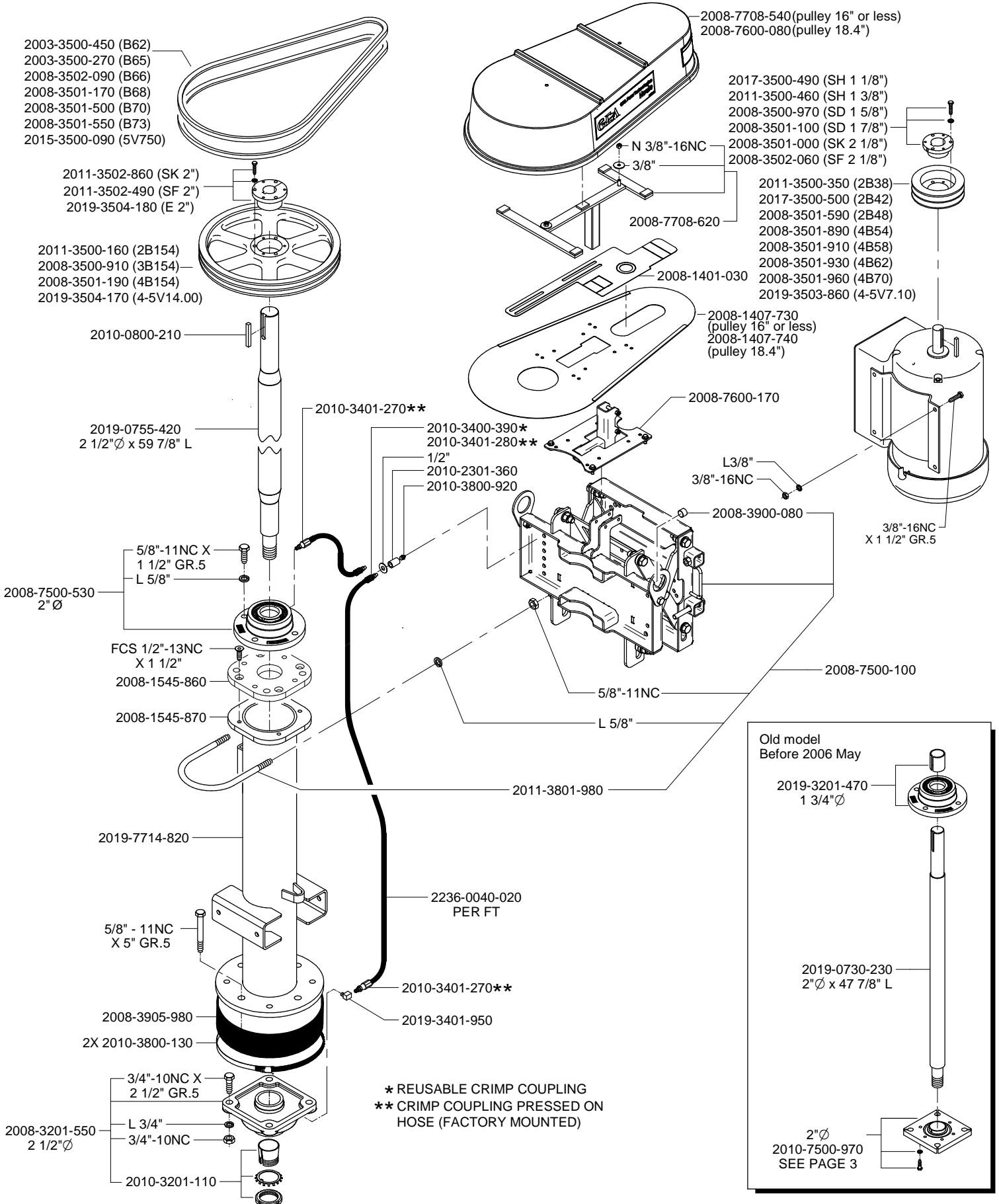


\* REUSABLE CRIMP COUPLING  
\*\* CRIMP COUPLING PRESSED ON HOSE (FACTORY MOUNTED)

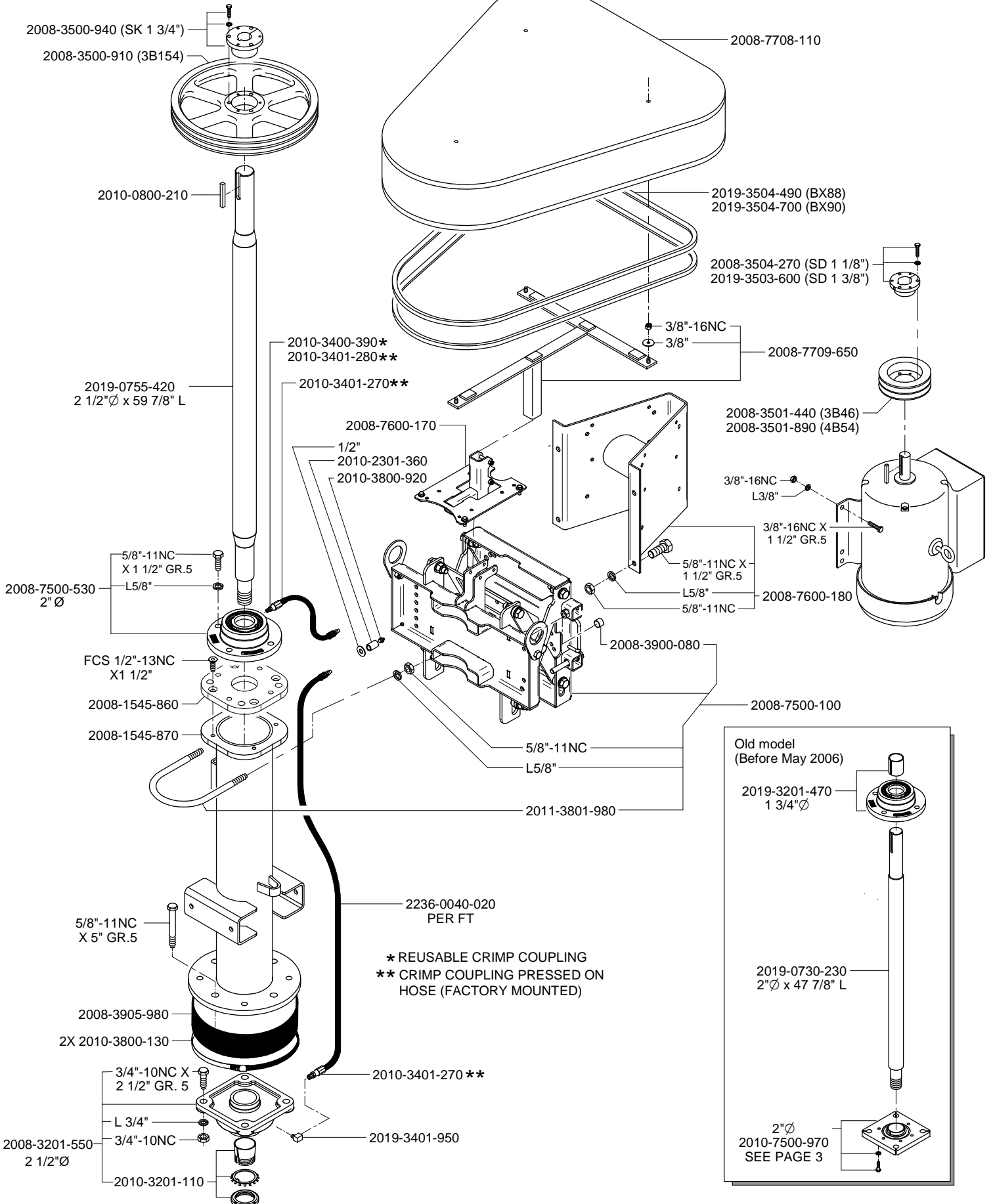
4" HIGH PRESSURE PUMP ON PONTOON - IMPELLER AND HOUSING



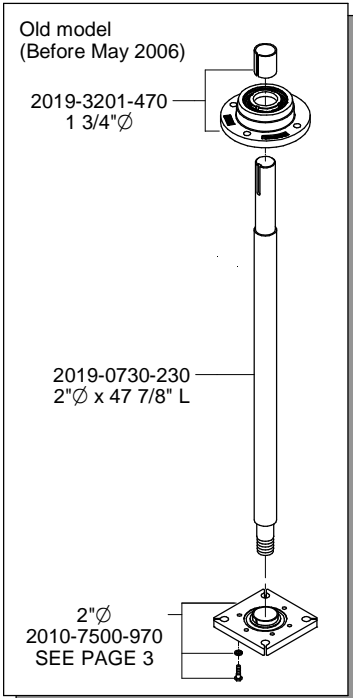
8" FLUSH PUMP ON PONTOON - SINGLE MOTOR



8" FLUSH PUMP ON PONTOON - TWIN MOTOR

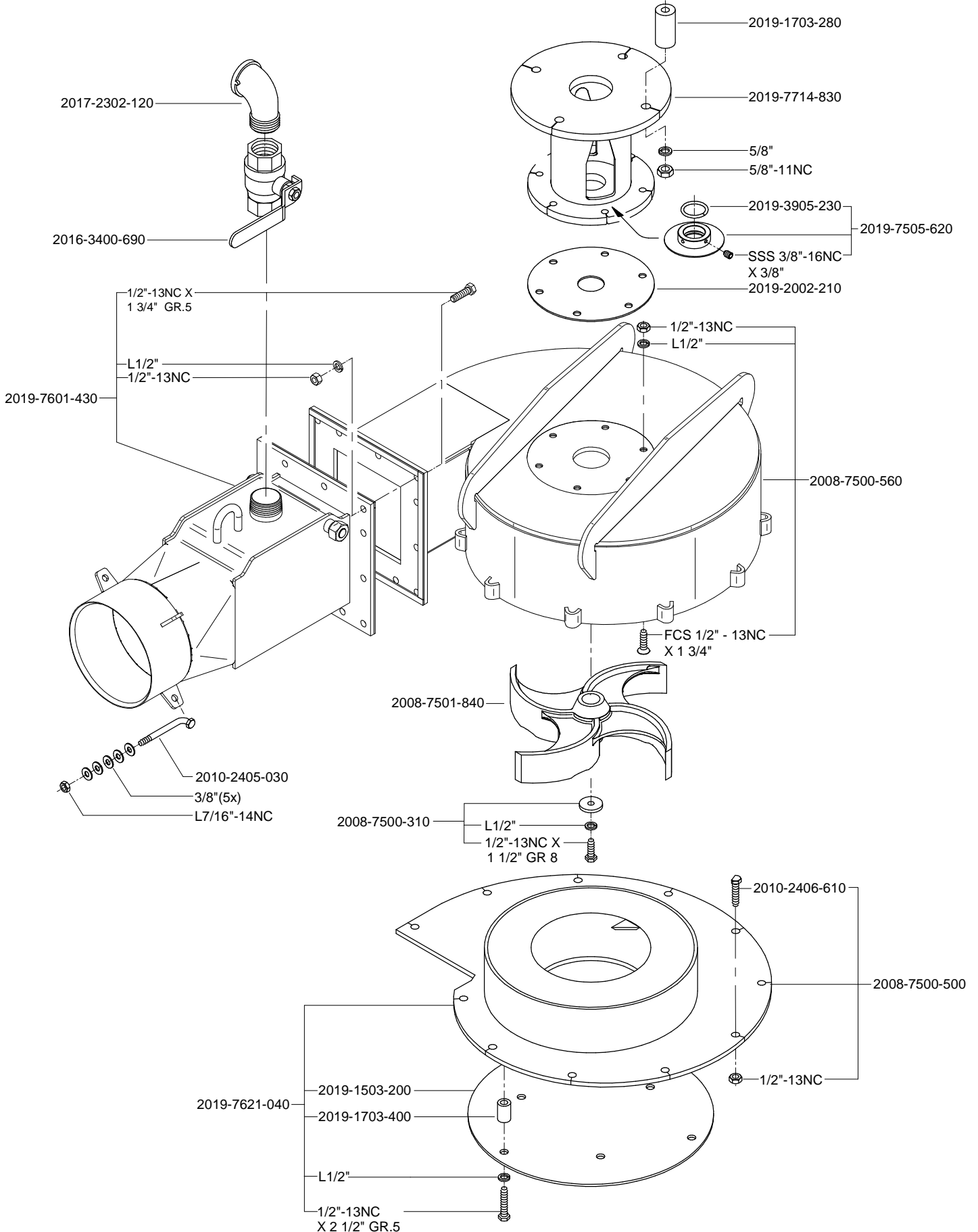


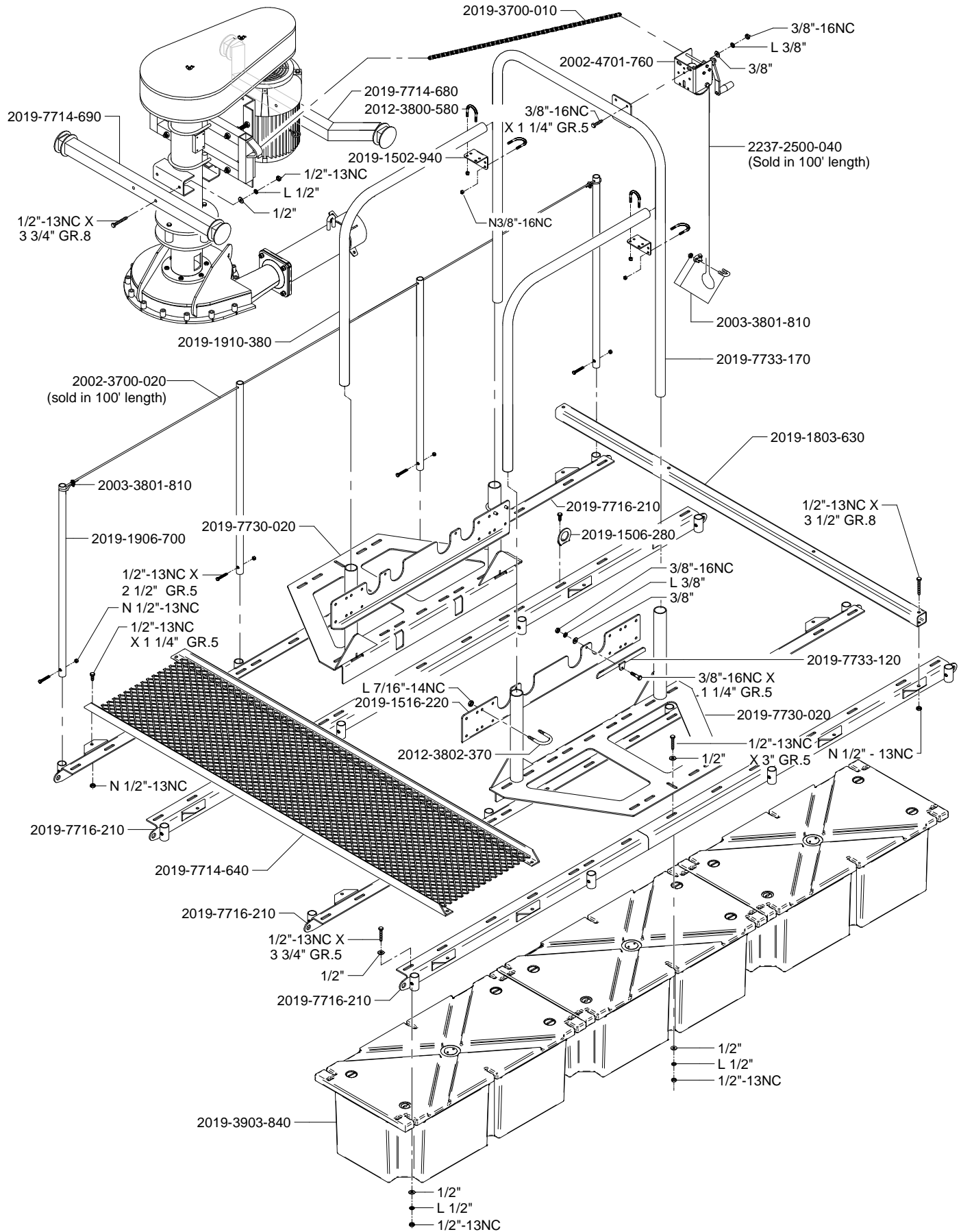
\* REUSABLE CRIMP COUPLING  
 \*\* CRIMP COUPLING PRESSED ON HOSE (FACTORY MOUNTED)



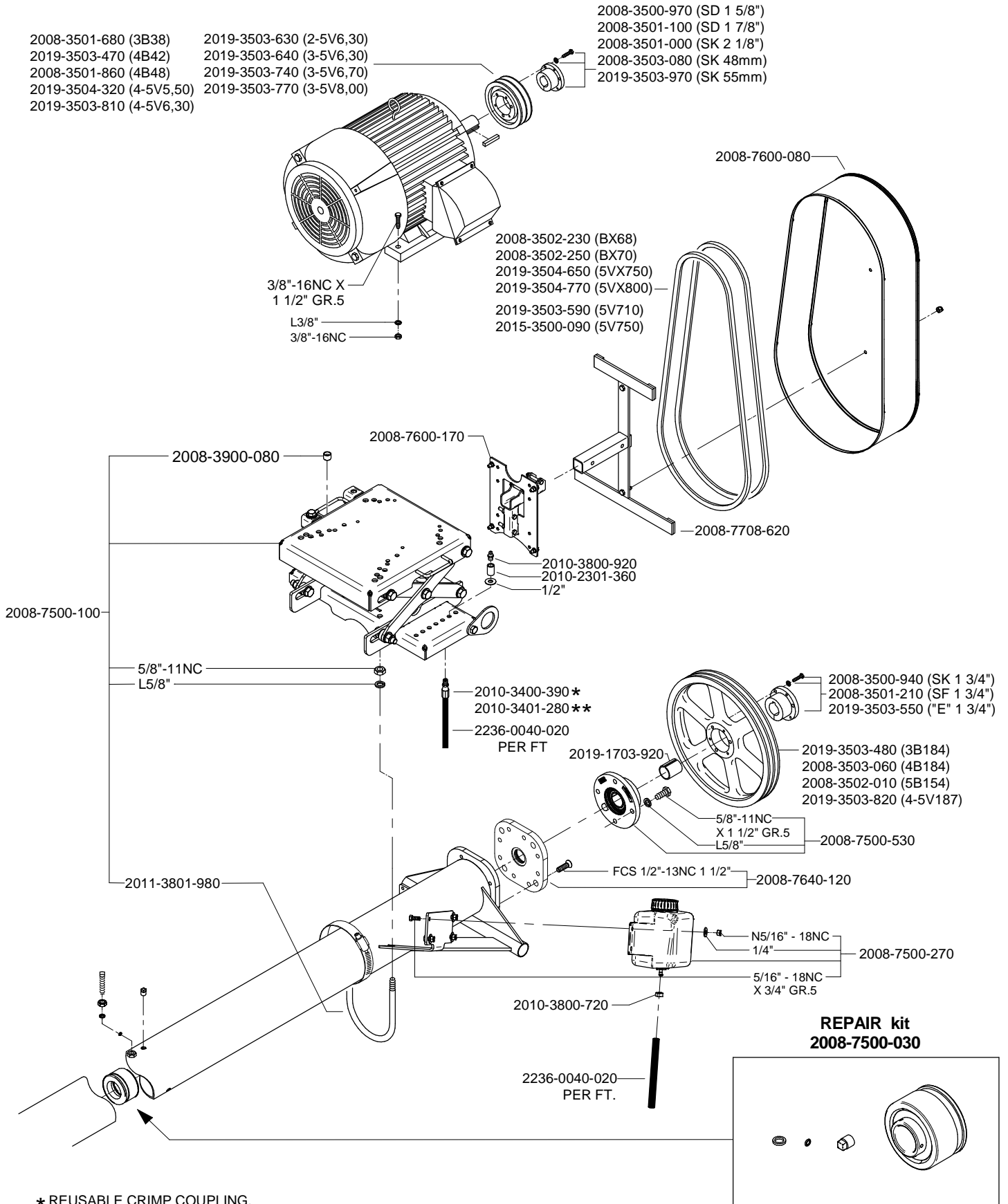


8" FLUSH PUMP ON PONTOON - IMPELLER AND HOUSING





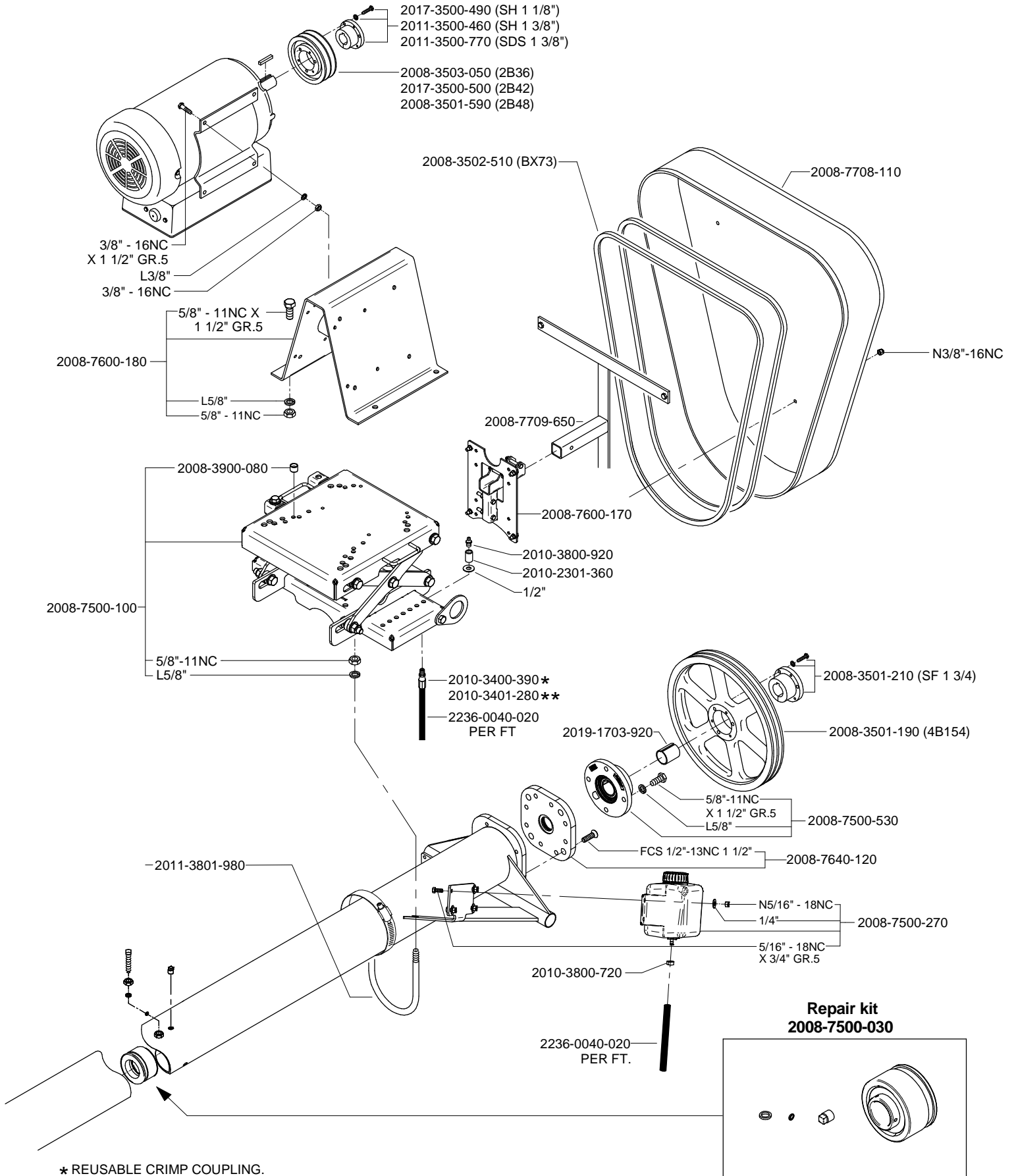
AGI-POMPE ON PONTOON - SINGLE MOTOR



\* REUSABLE CRIMP COUPLING.

\*\* CRIMP COUPLING PRESSED ON HOSE. (FACTORY MOUNTED)

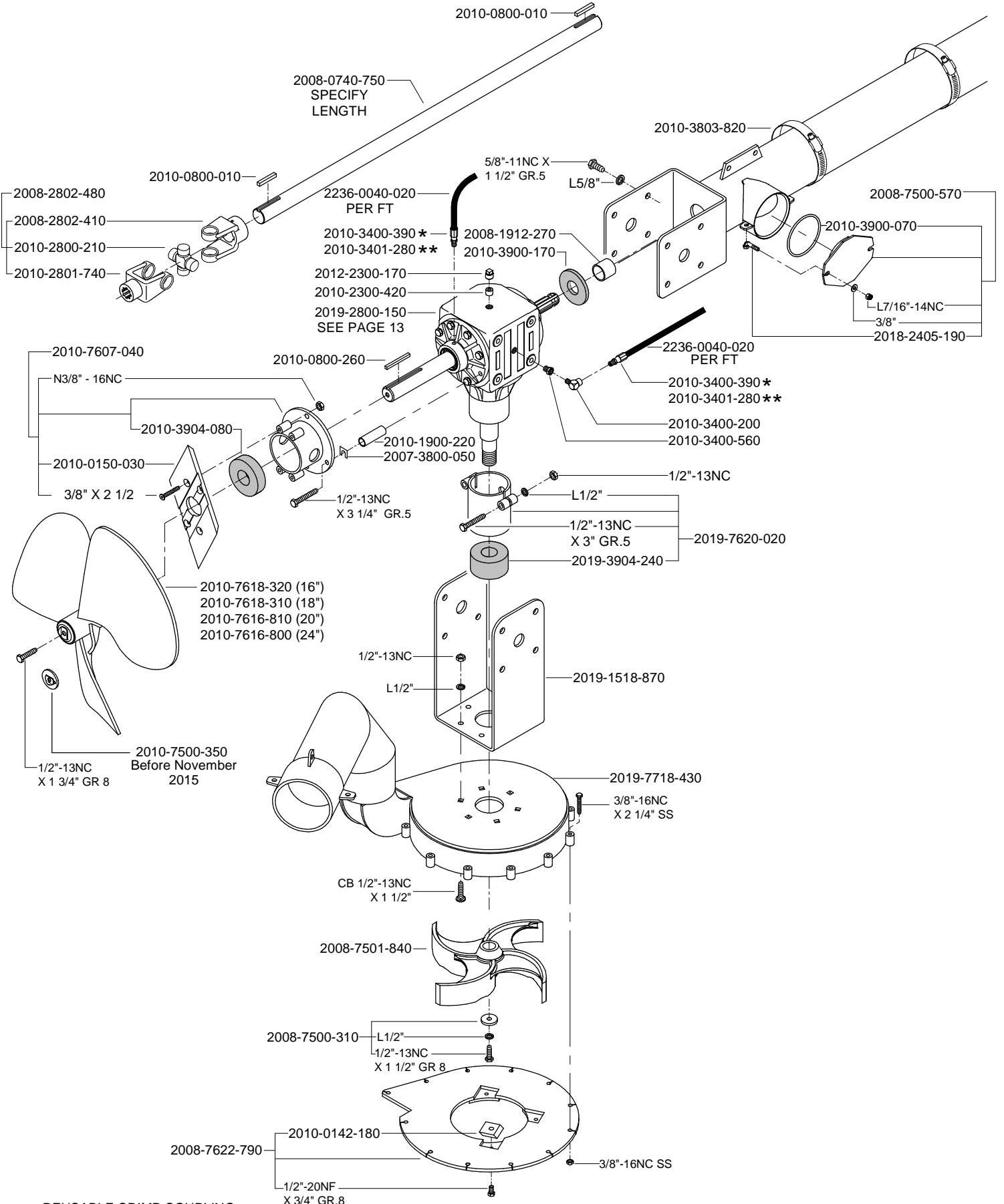
AGI-POMPE ON PONTOON - TWIN MOTOR



\* REUSABLE CRIMP COUPLING.

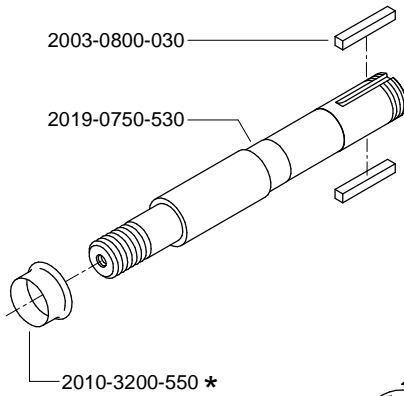
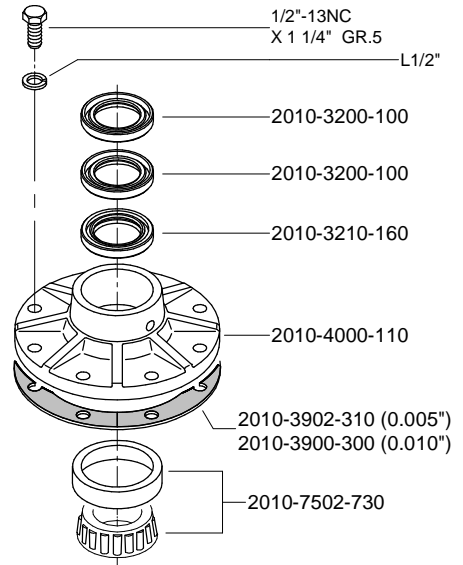
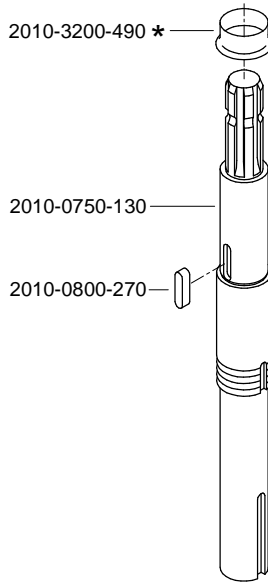
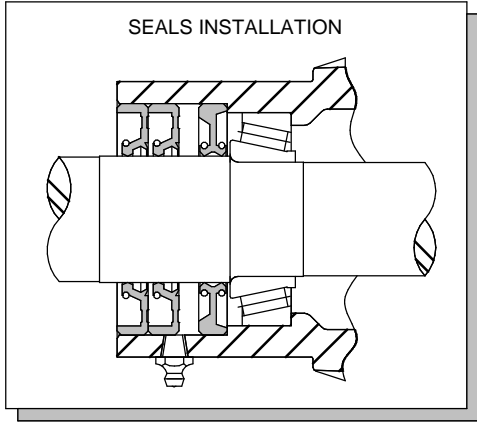
\*\* CRIMP COUPLING PRESSED ON HOSE. (FACTORY MOUNTED)

AGI-POMPE ON PONTOON - PROPELLER, IMPELLER AND HOUSING

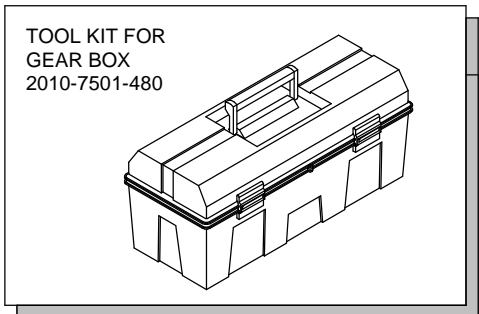
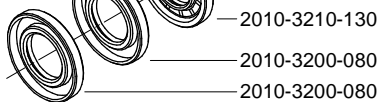
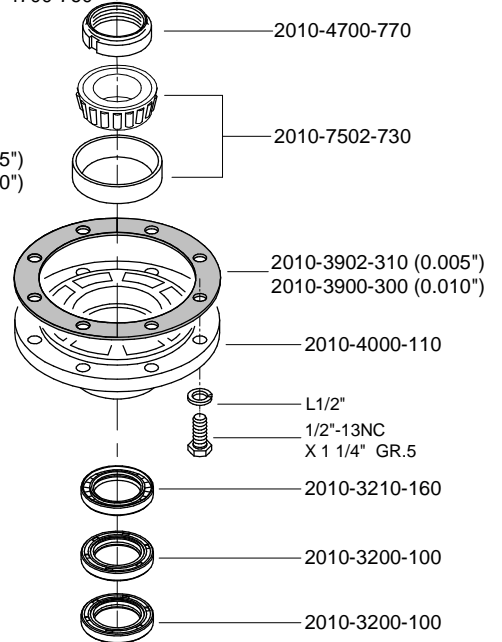
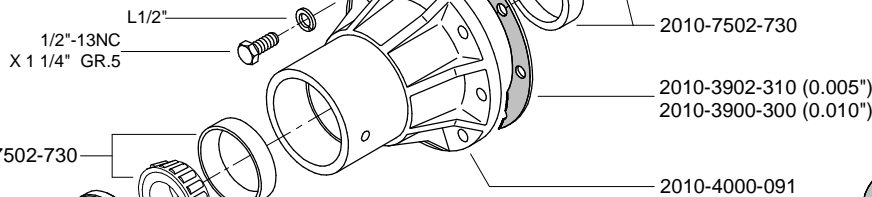
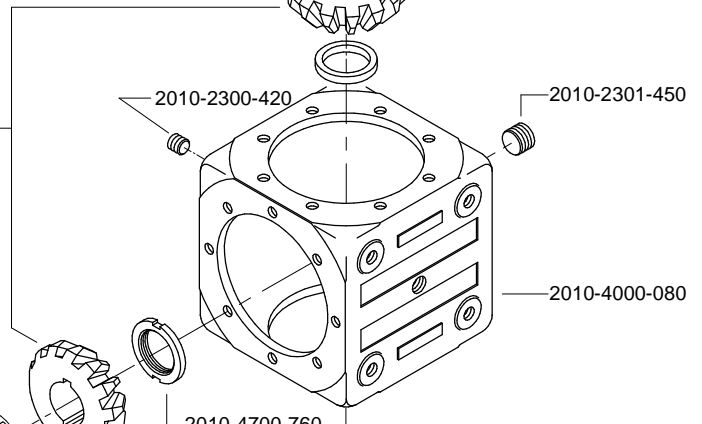


\* REUSABLE CRIMP COUPLING.  
 \*\* CRIMP COUPLING PRESSED ON HOSE. (FACTORY MOUNTED)  
 GEA Farm Technologies Canada Inc.  
 Division GEA Houle

COMPLETE GEAR BOX  
2019-2800-150

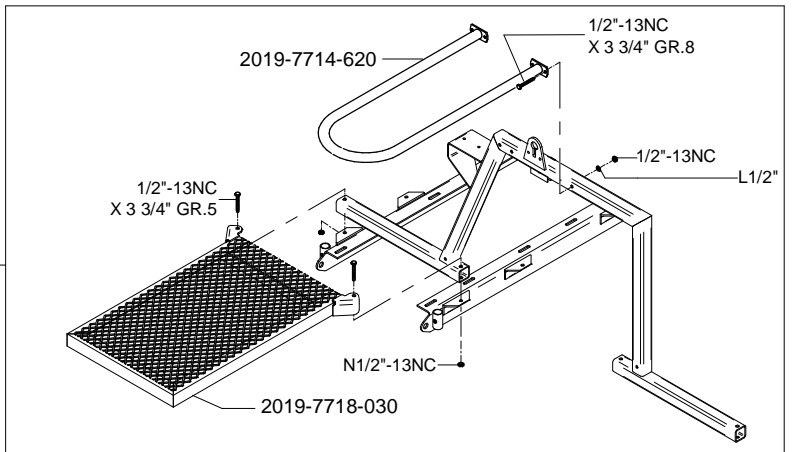
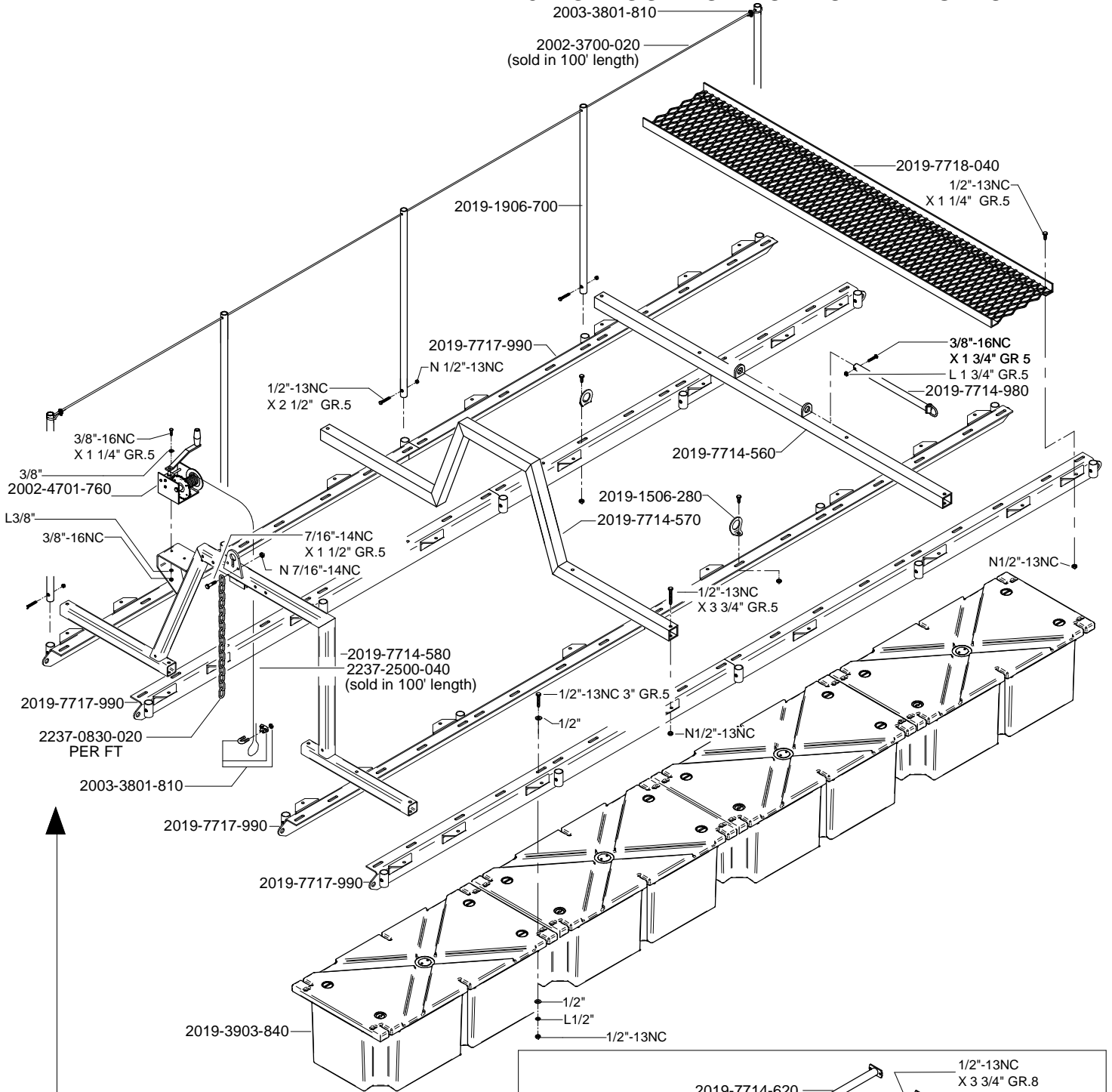


2010-3000-510  
KIT OF 2 GEARS  
AND 1 SPACER

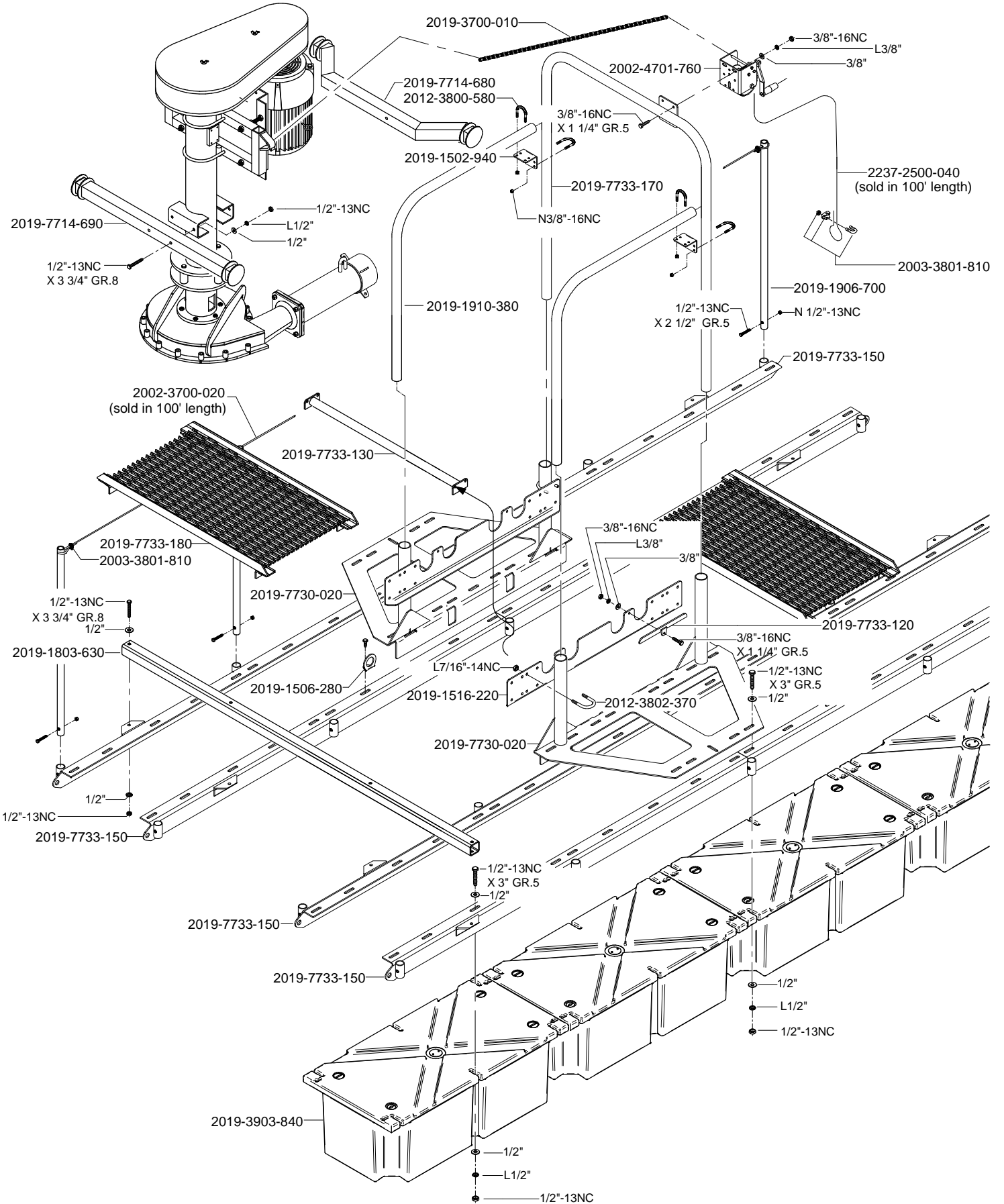


\* REPAIR SLEEVE NOT INCLUDED WITH GEAR BOX.

16' PONTOON FOR HORIZONTAL AGI-POMPE

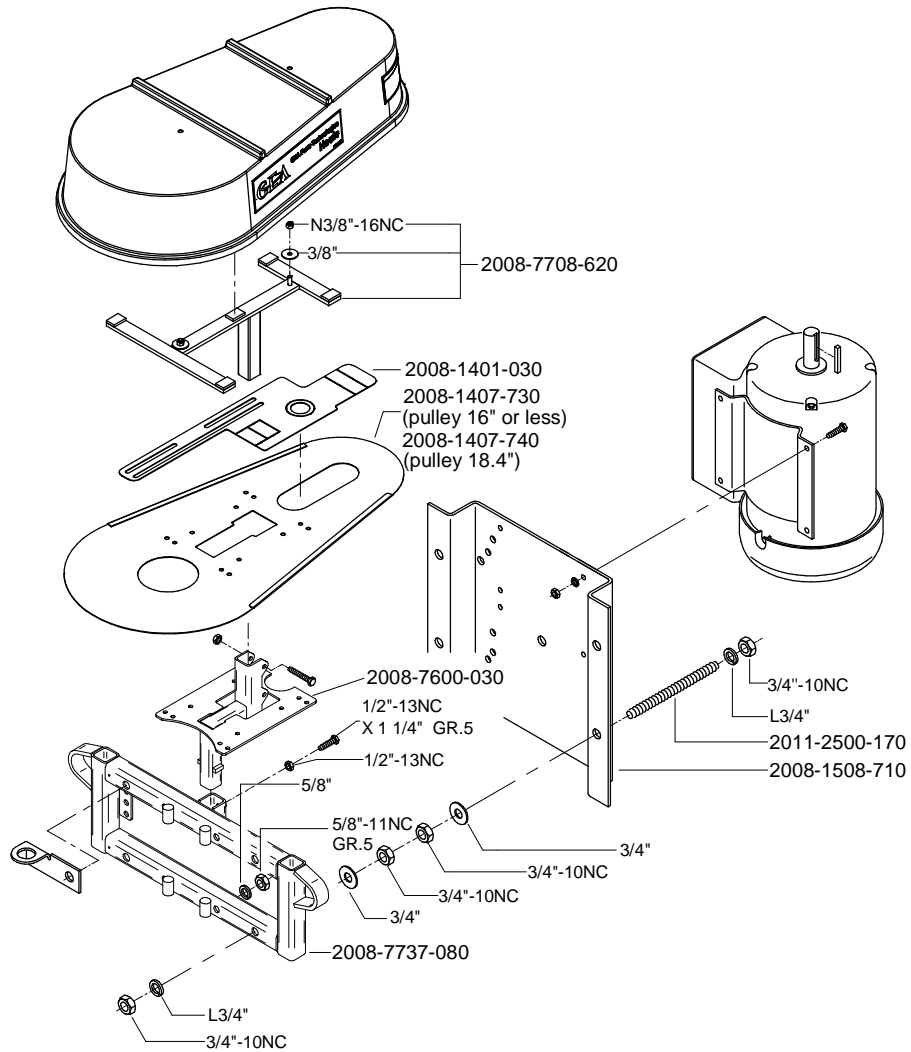


16' PONTOON FOR VERTICAL PUMP





MOTOR TABLE VERTICAL PUMP - BEFORE JANUARY, 2017



MOTOR TABLE HORIZONTAL AGI-POMPE - BEFORE JANUARY, 2017

